



US00D804478S

(12) **United States Design Patent**
Harris et al.

(10) **Patent No.:** **US D804,478 S**

(45) **Date of Patent:** **** Dec. 5, 2017**

(54) **CARD READER ENCLOSURE**

(71) Applicants: **Kyle D. Harris**, Melbourne, FL (US);
Carlos A. Rodriguez Rivera,
Melbourne, FL (US); **Ryan Casey**,
Amityville, NY (US); **Michael**
Colasuono, West Hempstead, NY (US);
Kenneth D. Lemp, Melbourne, FL
(US); **Carl H. Patten, III**, Melbourne,
FL (US)

(72) Inventors: **Kyle D. Harris**, Melbourne, FL (US);
Carlos A. Rodriguez Rivera,
Melbourne, FL (US); **Ryan Casey**,
Amityville, NY (US); **Michael**
Colasuono, West Hempstead, NY (US);
Kenneth D. Lemp, Melbourne, FL
(US); **Carl H. Patten, III**, Melbourne,
FL (US)

(73) Assignee: **Northrop Grumman Systems**
Corporation, Falls Church, VA (US)

(**) Term: **15 Years**

(21) Appl. No.: **29/585,822**

(22) Filed: **Nov. 29, 2016**

(51) **LOC (10) Cl.** **14-02**

(52) **U.S. Cl.**
USPC **D14/385**

(58) **Field of Classification Search**
USPC D14/356-358, 383-385, 420, 426, 427,
D14/432-439, 447, 453, 454, 217, 253,
(Continued)

(56) **References Cited**

U.S. PATENT DOCUMENTS

5,309,315 A 5/1994 Naedel et al.
D469,761 S * 2/2003 Nussberger D14/341
(Continued)

Primary Examiner — Austin Murphy

(74) *Attorney, Agent, or Firm* — Tarolli, Sundheim,
Covell & Tummino LLP; John A. Yirga, Esq.

(57) **CLAIM**

The ornamental design for a card reader enclosure, as shown and described.

DESCRIPTION

This invention was made with government support under N00019-15-C-0091 awarded by United States Navy. The government has certain rights in the invention.

FIG. 1 is an upper front perspective view of a card reader enclosure;

FIG. 2 is an upper rear perspective view thereof;

FIG. 3 is a lower front perspective view thereof;

FIG. 4 is a lower rear perspective view thereof;

FIG. 5 is a top plan view thereof;

FIG. 6 is a bottom plan view thereof;

FIG. 7 is a rear elevation view thereof;

FIG. 8 is a front elevation view thereof;

FIG. 9 is a right side elevation view thereof;

FIG. 10 is a left side elevation view thereof;

FIG. 11 is an upper front perspective view of the card reader enclosure in a second usage environment;

FIG. 12 is a lower rear perspective view of the card reader enclosure in the second usage environment;

FIG. 13 is a lower front perspective view of the card reader enclosure in a third usage environment;

FIG. 14 is a top rear perspective view of the card reader enclosure in the third usage environment;

FIG. 15 is an upper perspective exploded assembly view thereof;

FIG. 16 is a lower perspective exploded assembly view thereof;

FIG. 17 is a top plan exploded assembly view thereof;

(Continued)

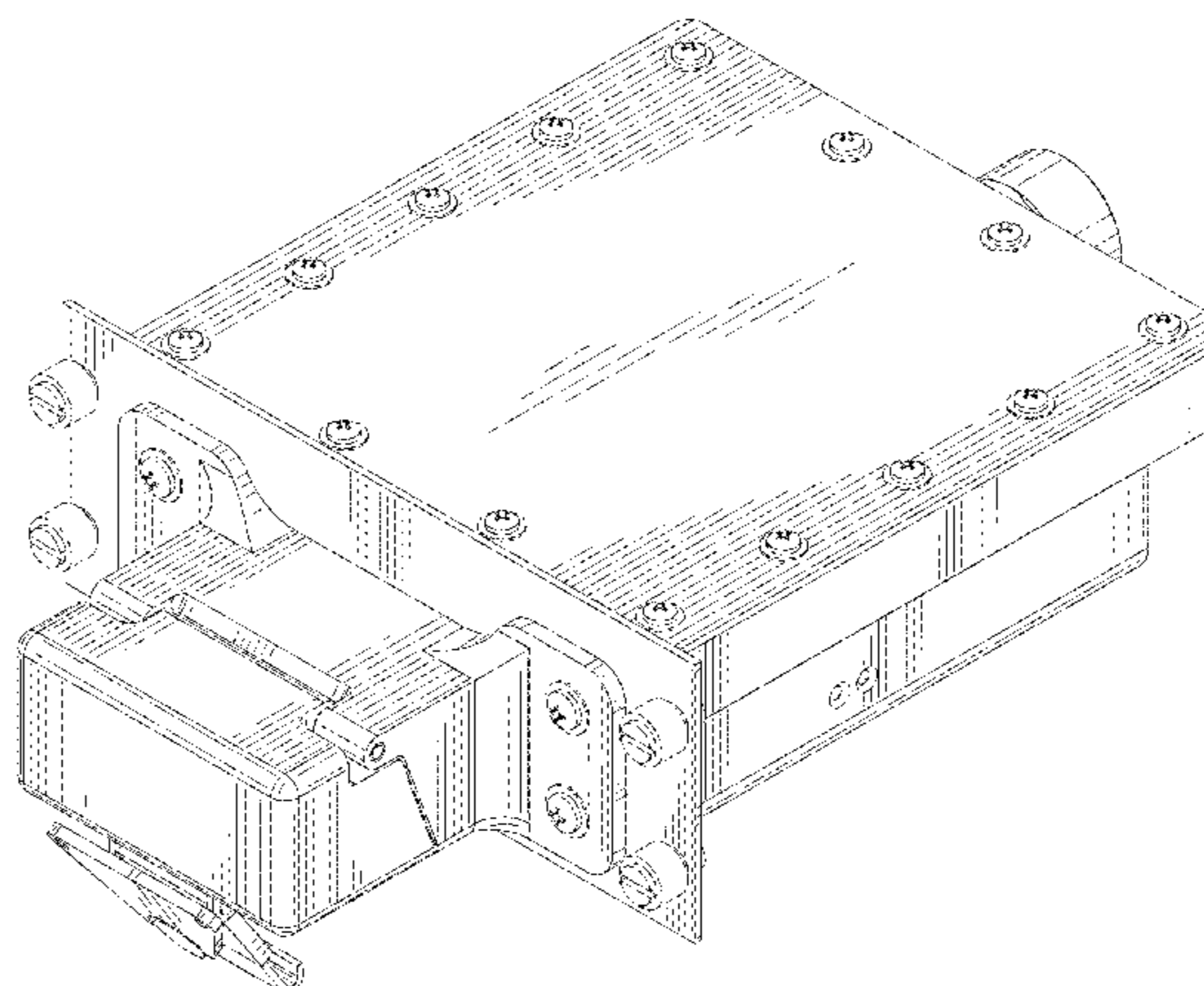
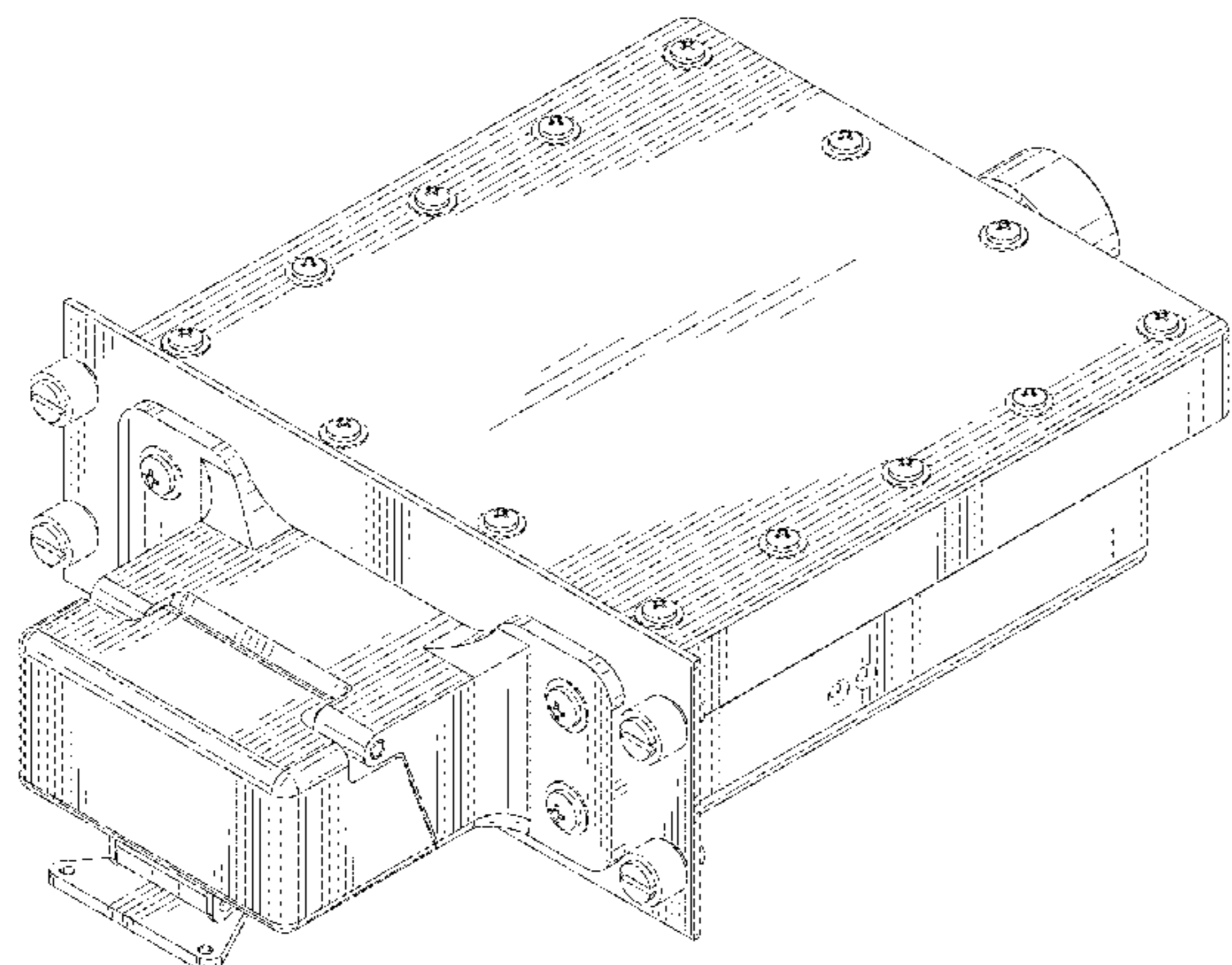


FIG. 18 is a front elevation exploded assembly view thereof; FIG. 19 is a rear elevation exploded assembly view thereof; FIG. 20 is a section view of FIG. 5 along section lines 20-20; and, FIG. 21 is a section view of FIG. 5 along section lines 21-21. The broken lines showing an unclaimed portion of the card reader enclosure is included for the purpose of illustrating environment and forms no part of the claimed design.

1 Claim, 21 Drawing Sheets

(58) **Field of Classification Search**

USPC D14/299; D13/107, 108, 133, 146, 147,
D13/152, 154, 156, 158, 162, 162.1, 168,
D13/173, 177, 102; 235/441, 451, 492,
235/380, 439, 375; 361/679.31, 600,
361/679.01, 679.02

CPC G06Q 20/347; G06Q 20/322; G06Q 40/02;
G06Q 30/06; G07F 7/0886

See application file for complete search history.

(56)

References Cited

U.S. PATENT DOCUMENTS

6,532,152	B1	3/2003	White et al.	
D477,321	S *	7/2003	Baughman	D14/385
6,944,022	B1	9/2005	Kehret et al.	
D562,818	S *	2/2008	Chen	D14/385
D563,956	S *	3/2008	Kato	D14/348
D576,164	S *	9/2008	Takahashi	D14/385
D577,038	S *	9/2008	Nakamura	D14/385
D586,813	S *	2/2009	Colburn	D14/385
D711,875	S *	8/2014	Daniel	D14/385
D712,902	S *	9/2014	Daniel	D14/385
D730,355	S *	5/2015	Daniel	D14/307
D764,468	S *	8/2016	Yamamiya	D14/385
D771,629	S *	11/2016	Yang	D14/385
D774,510	S *	12/2016	Rotsaert	D14/385
D791,223	S *	7/2017	Blanc	D14/385
D792,405	S *	7/2017	Bousfield	D14/385
2005/0285990	A1	12/2005	Havelka et al.	

* cited by examiner

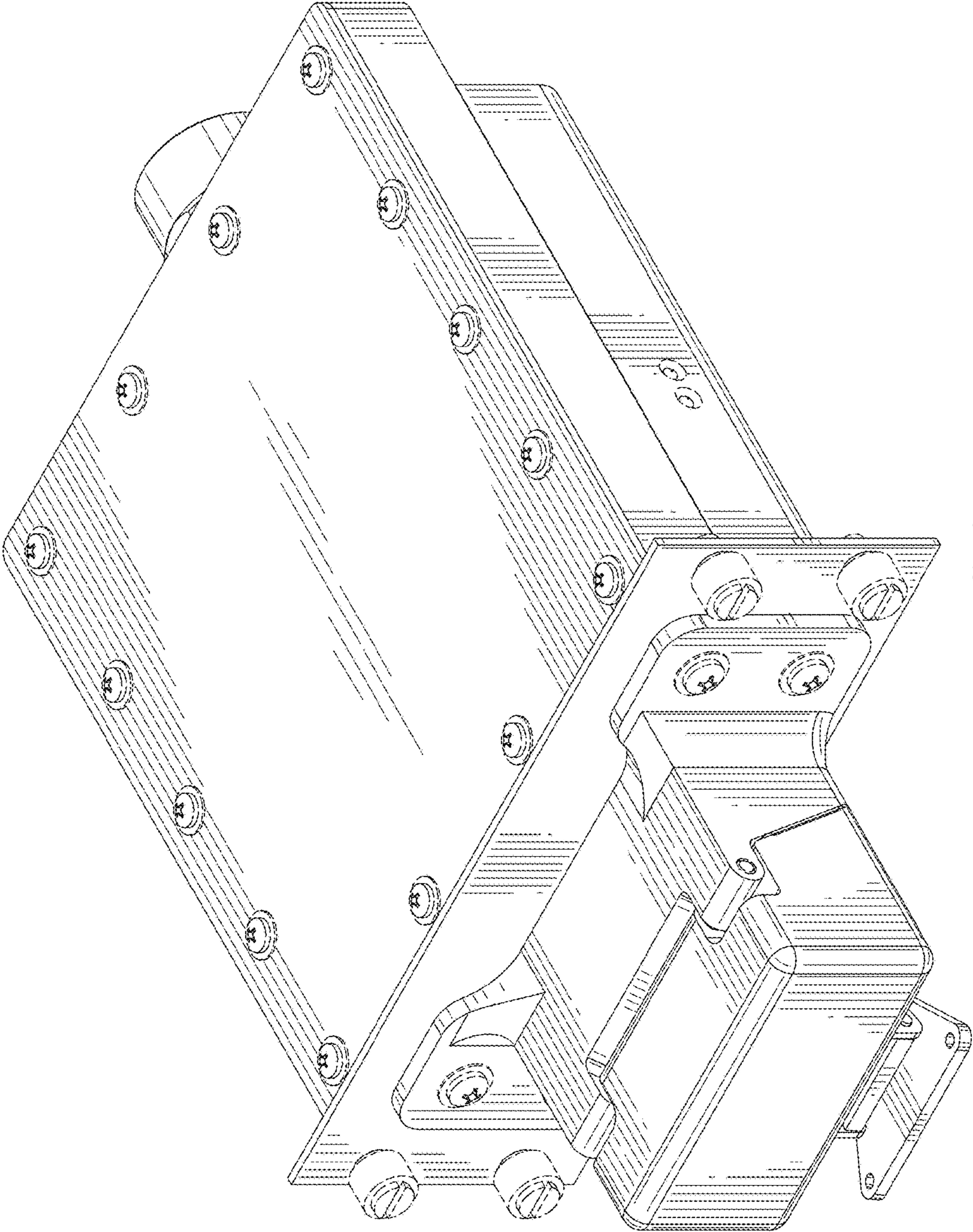


FIG. 1

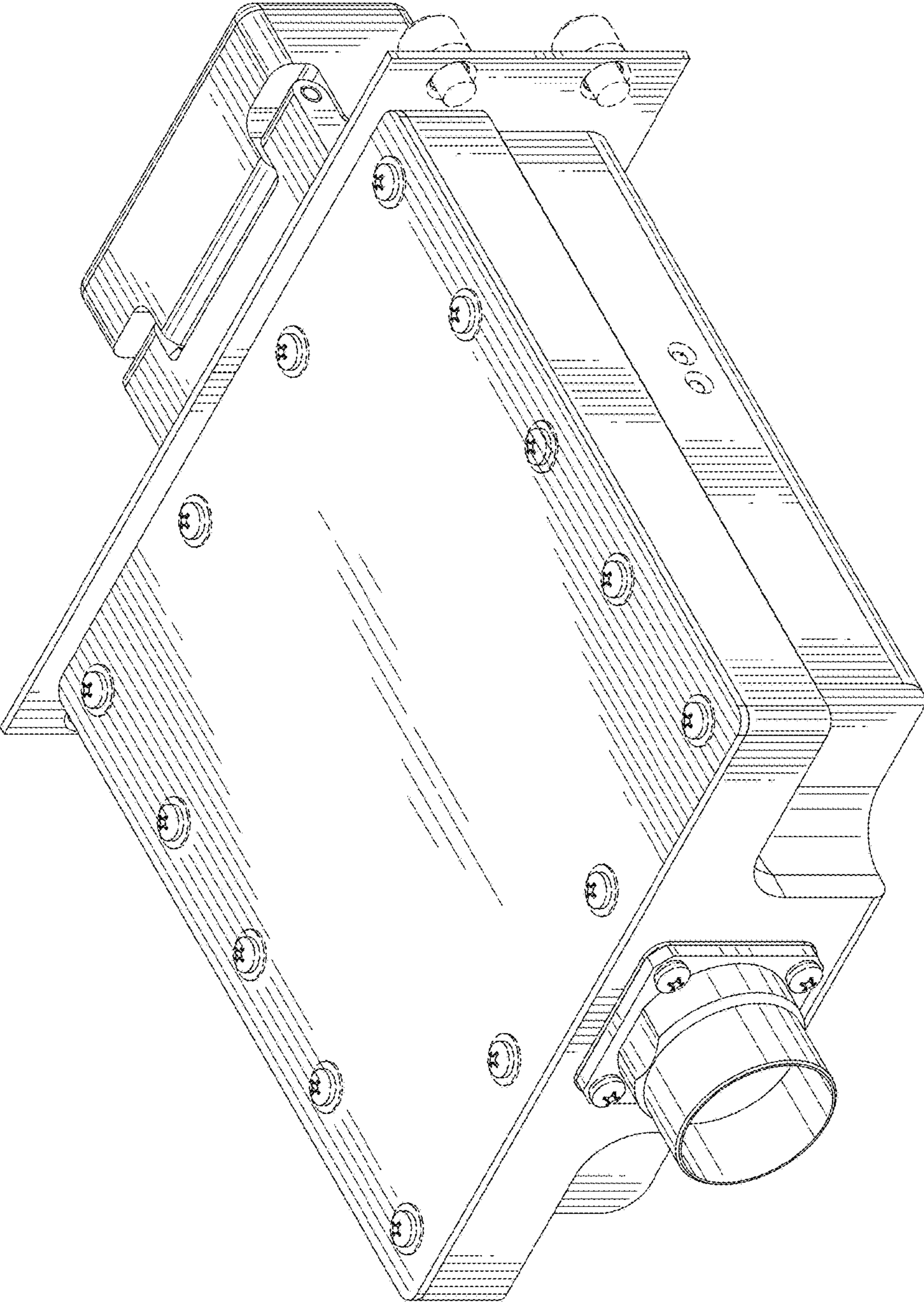


FIG. 2

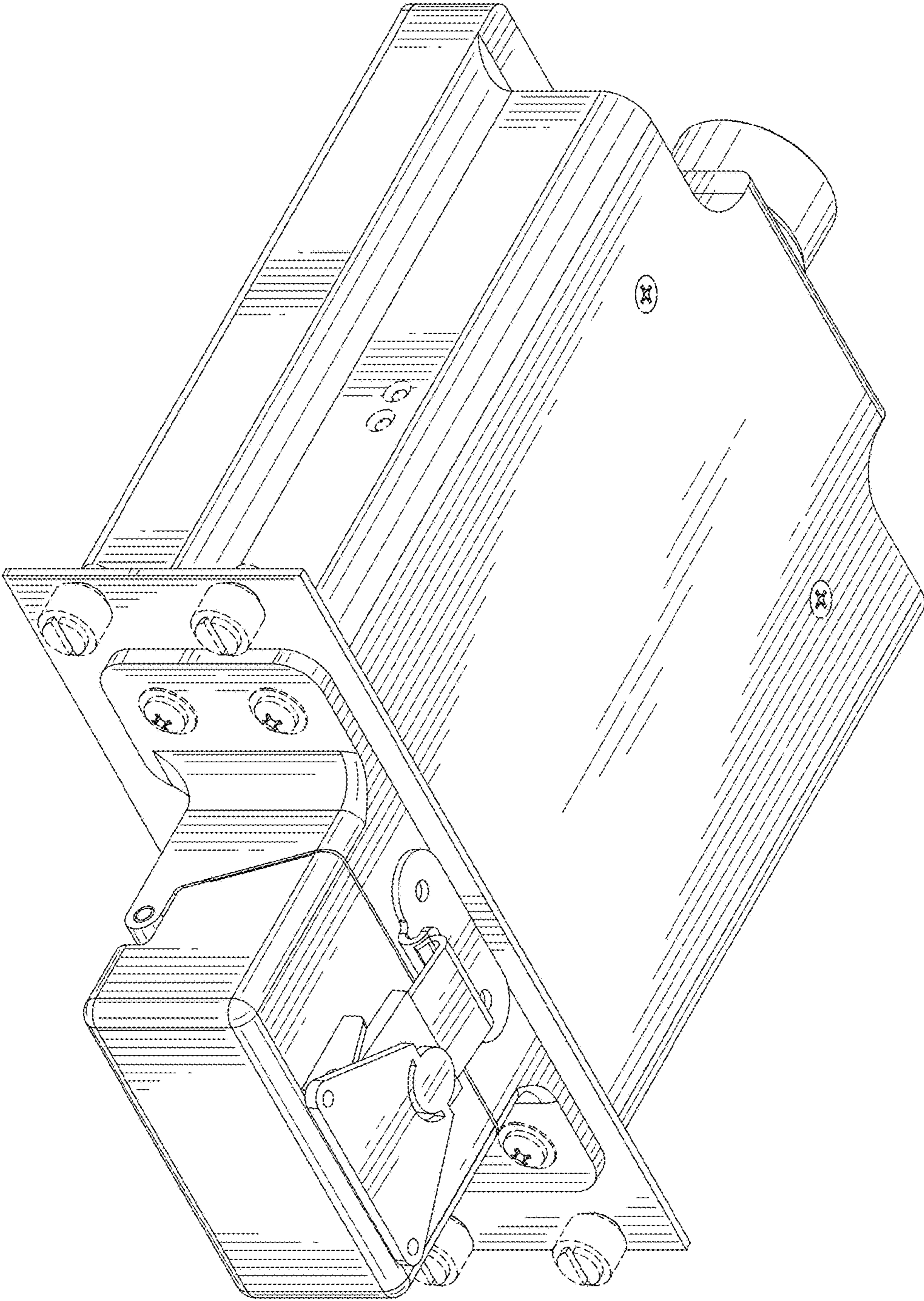


FIG. 3

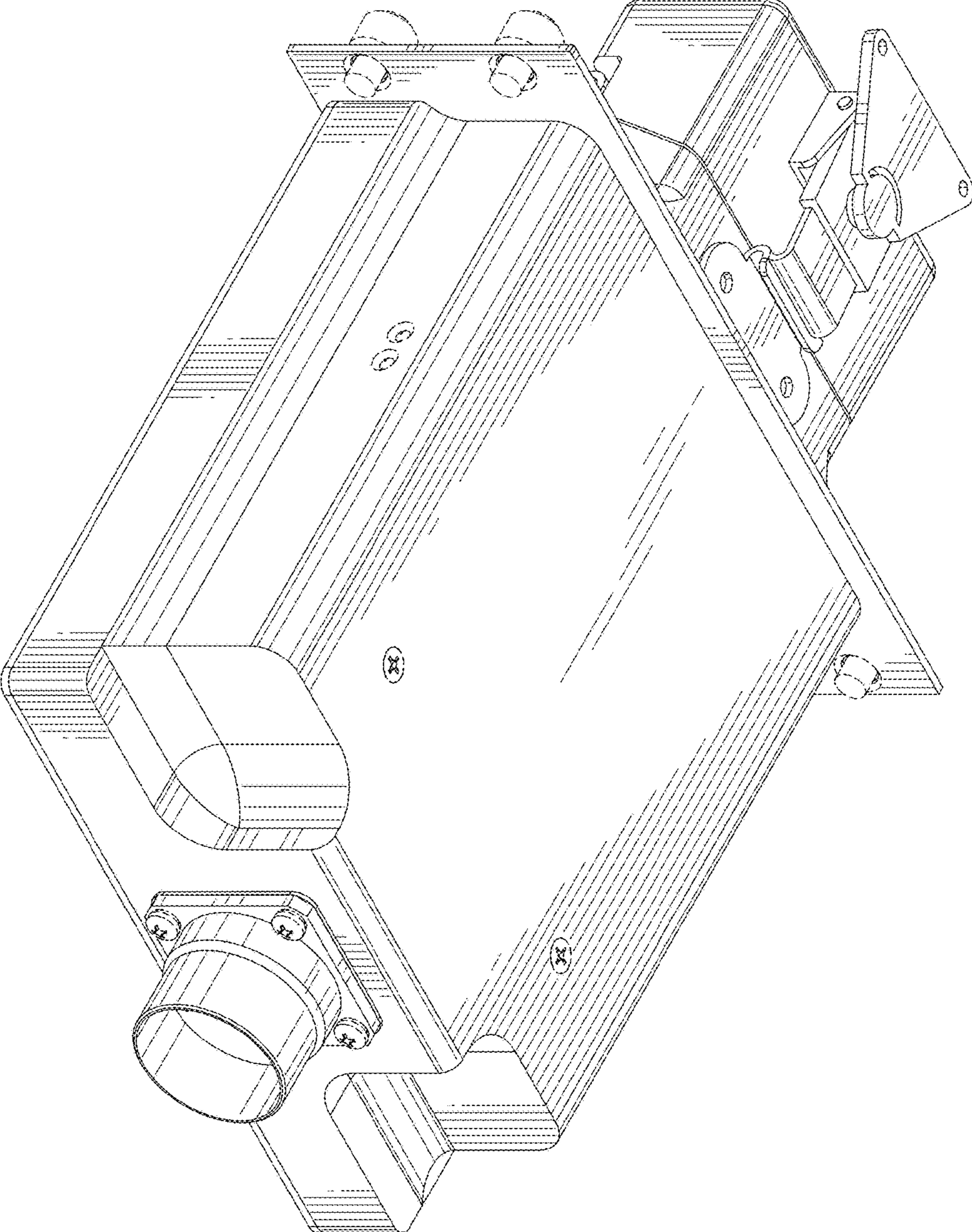


FIG. 4

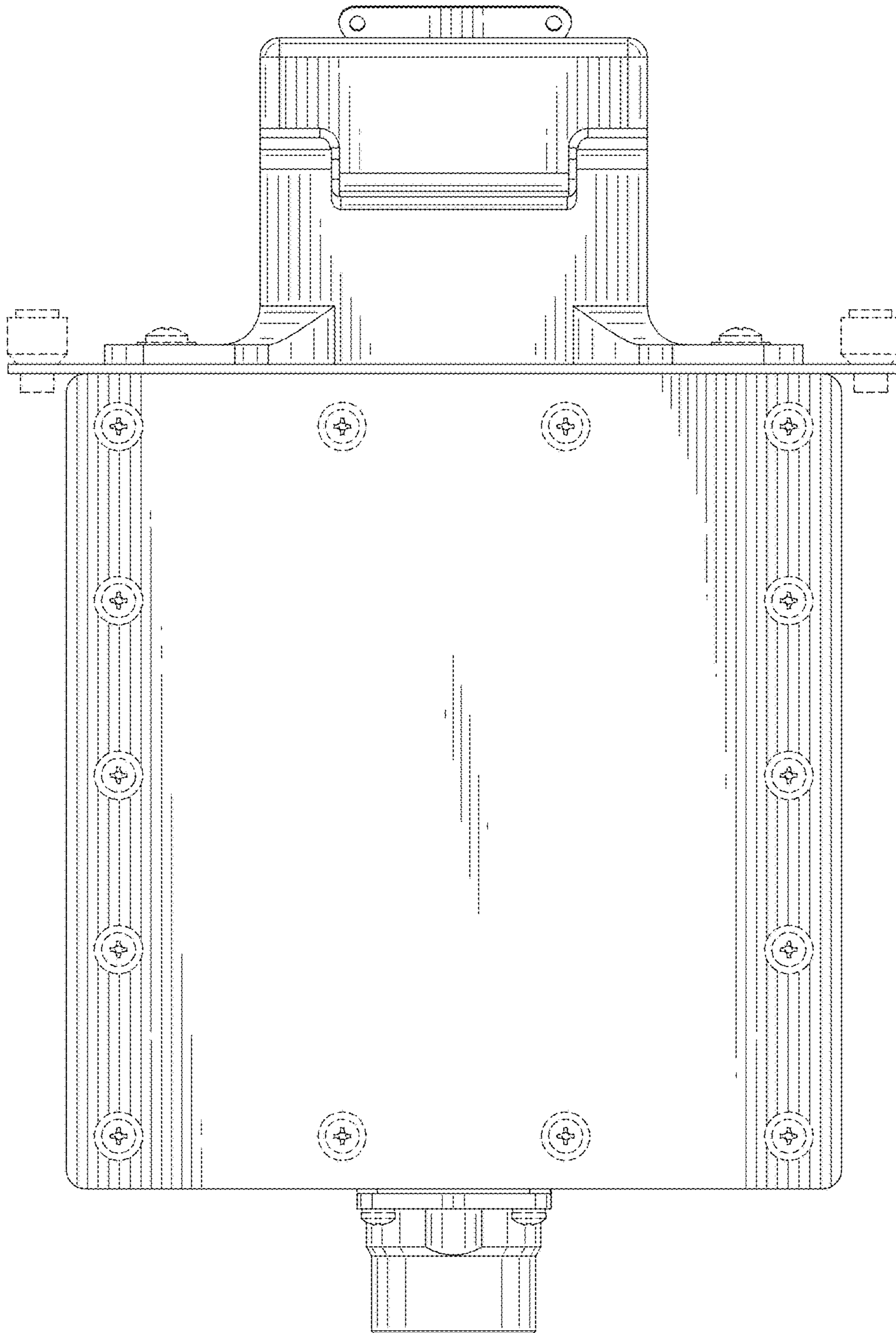


FIG. 5

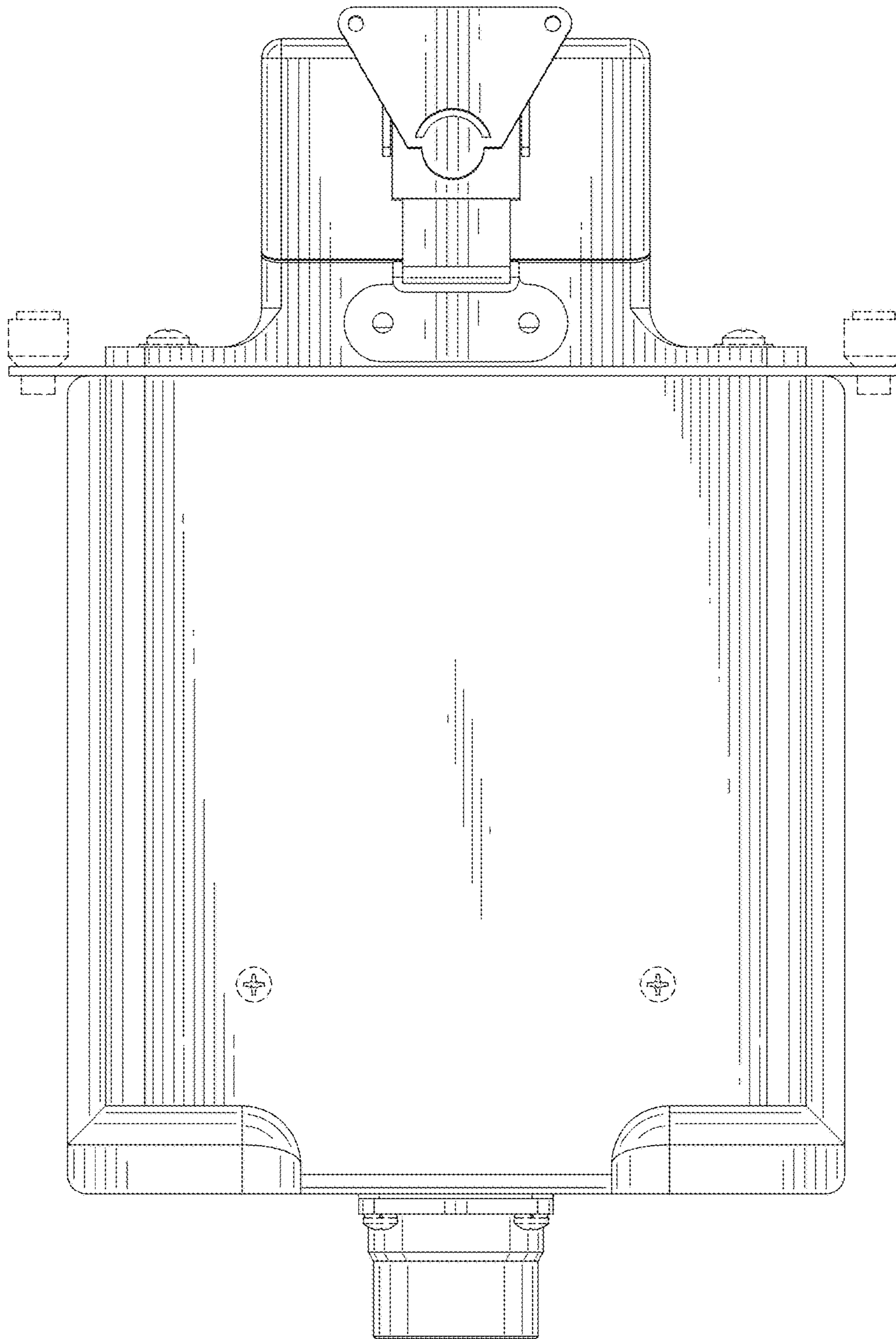


FIG. 6

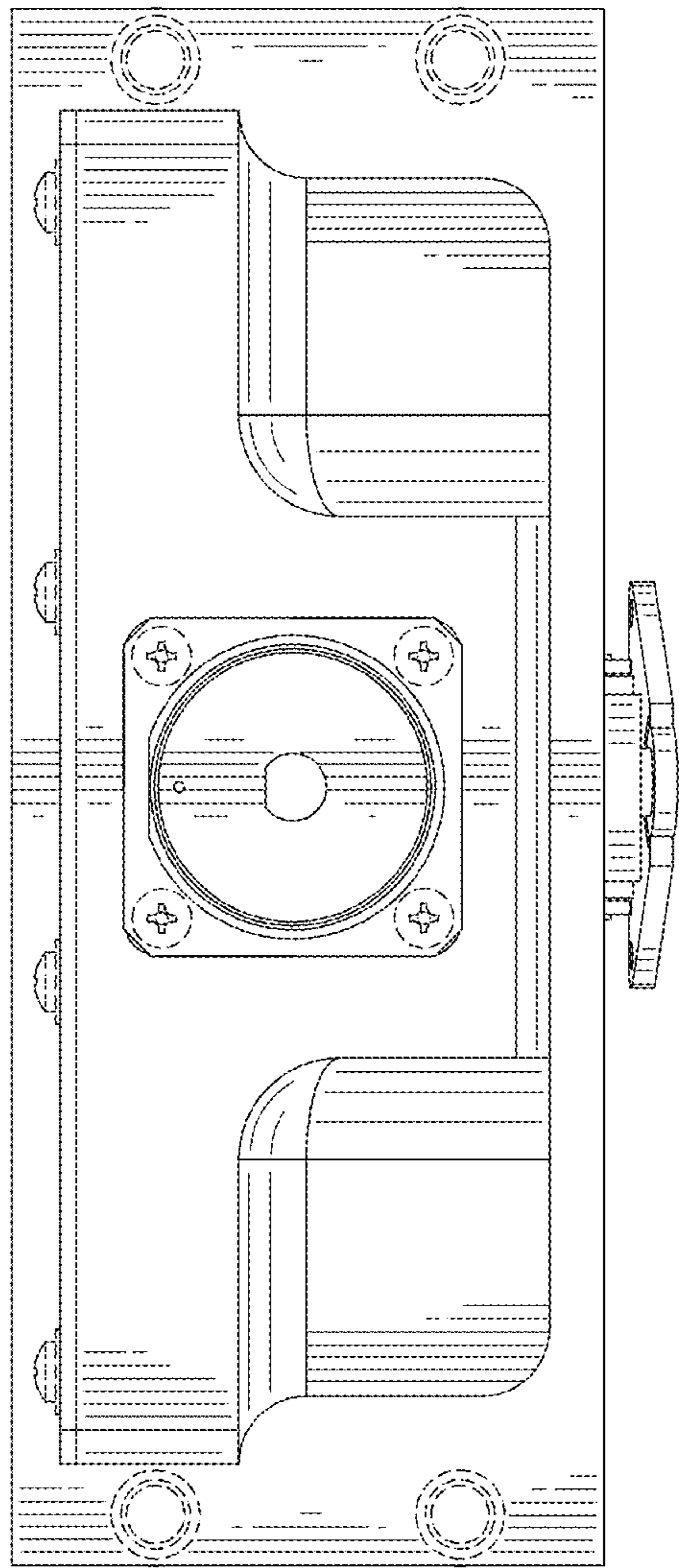


FIG. 7

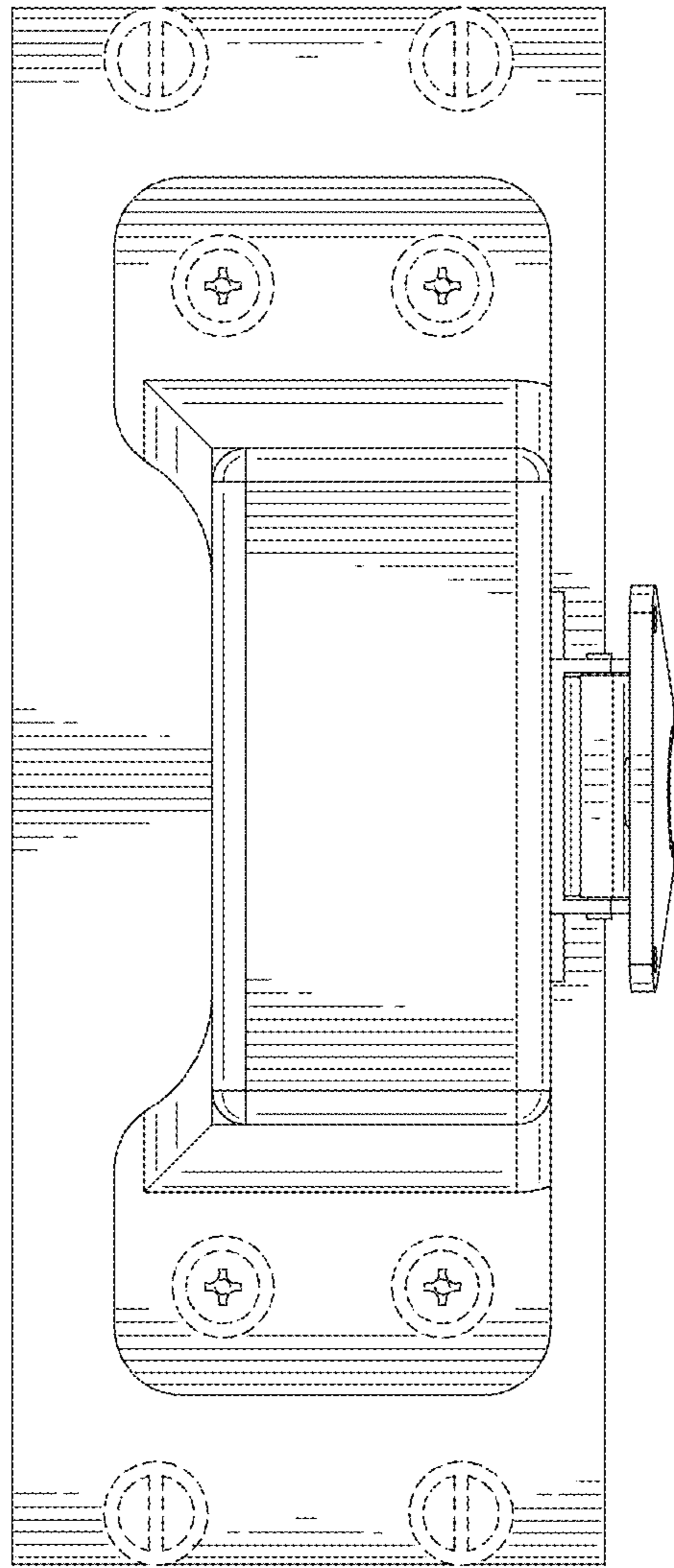


FIG. 8

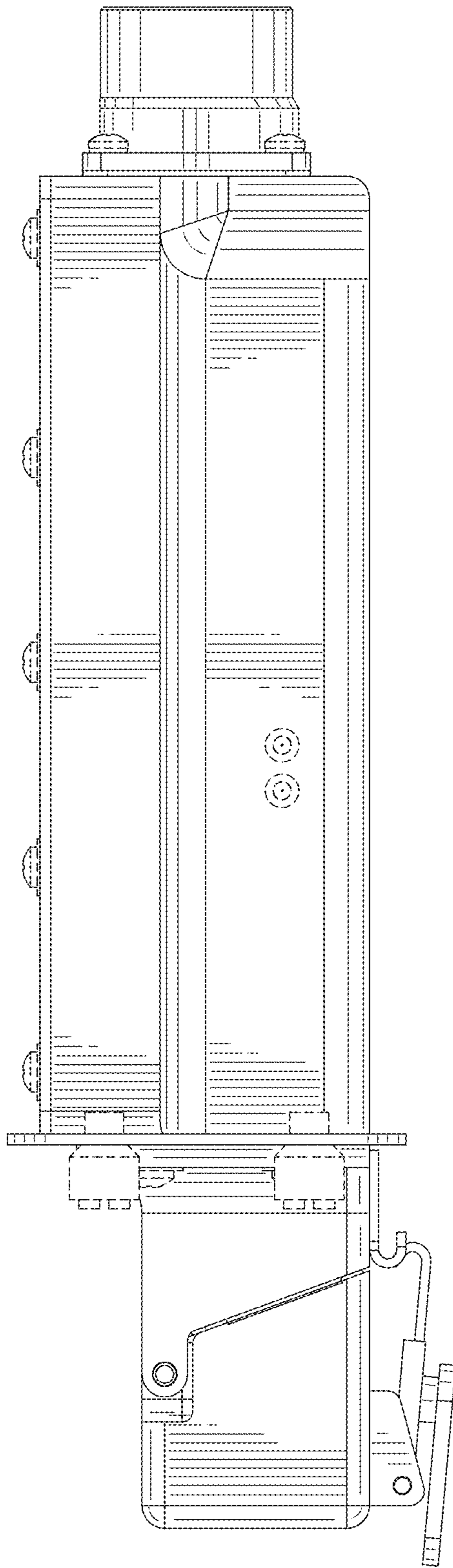


FIG. 9

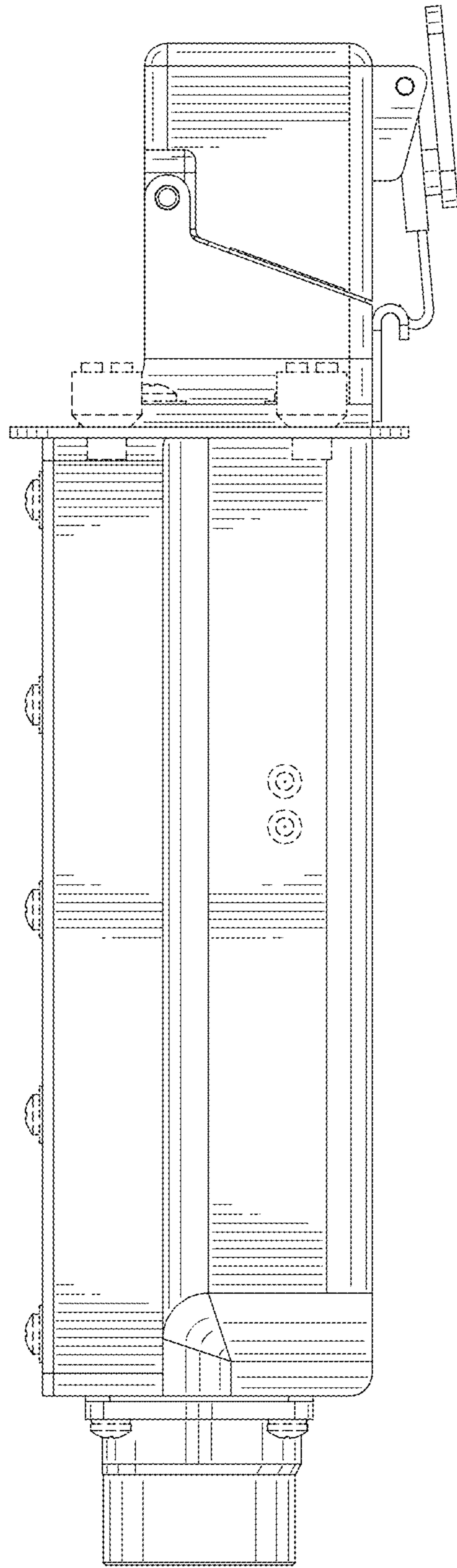


FIG. 10

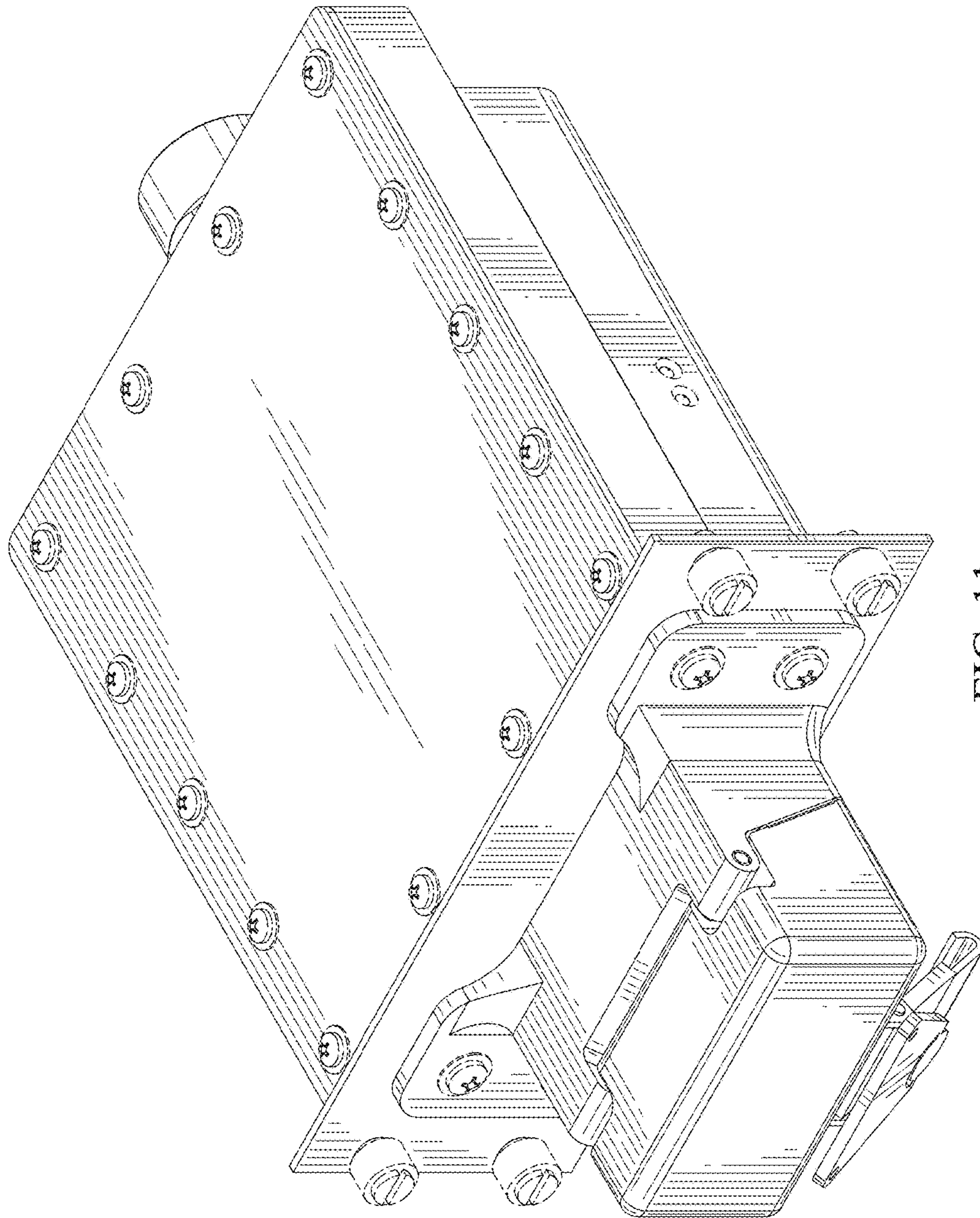


FIG. 11

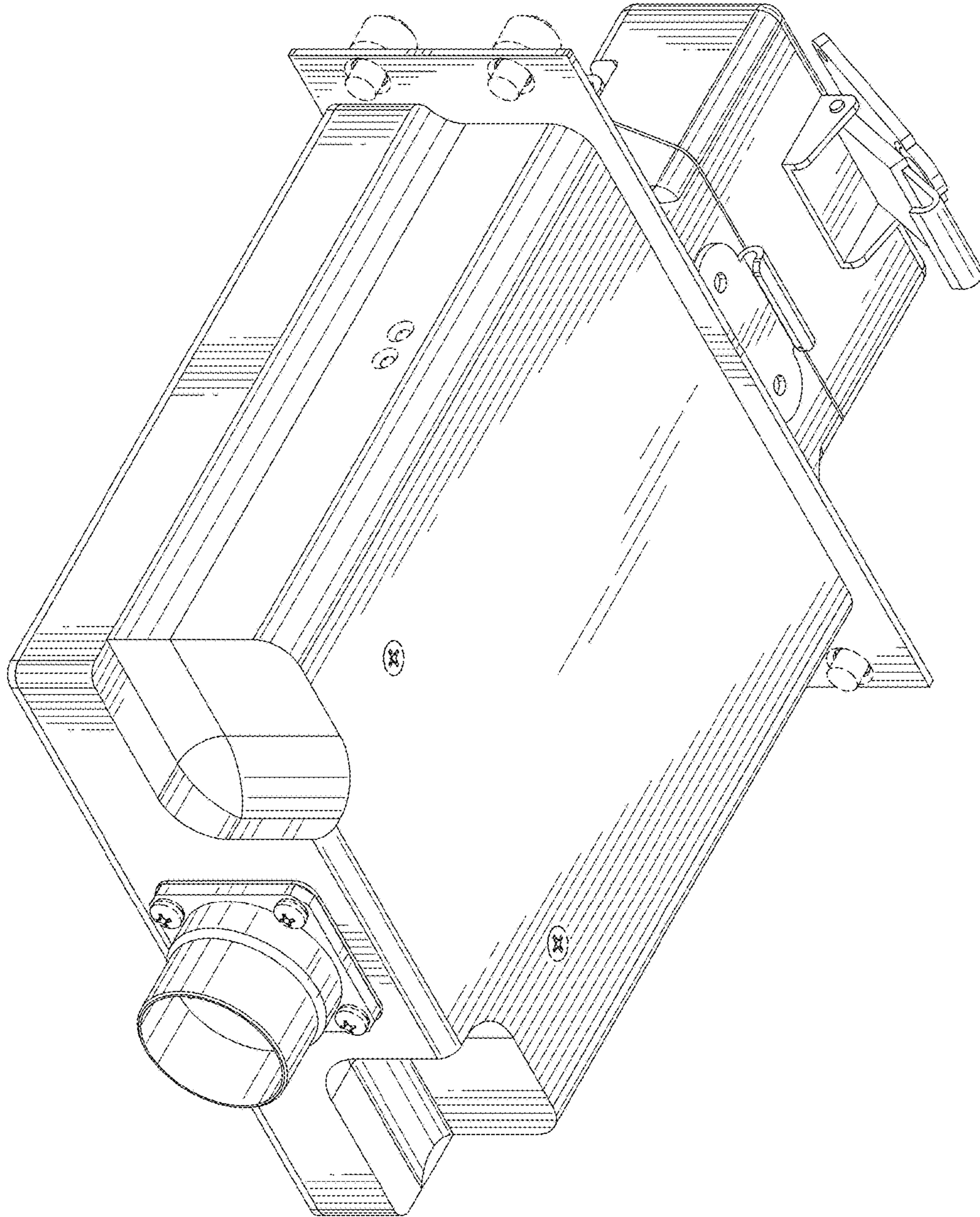


FIG. 12

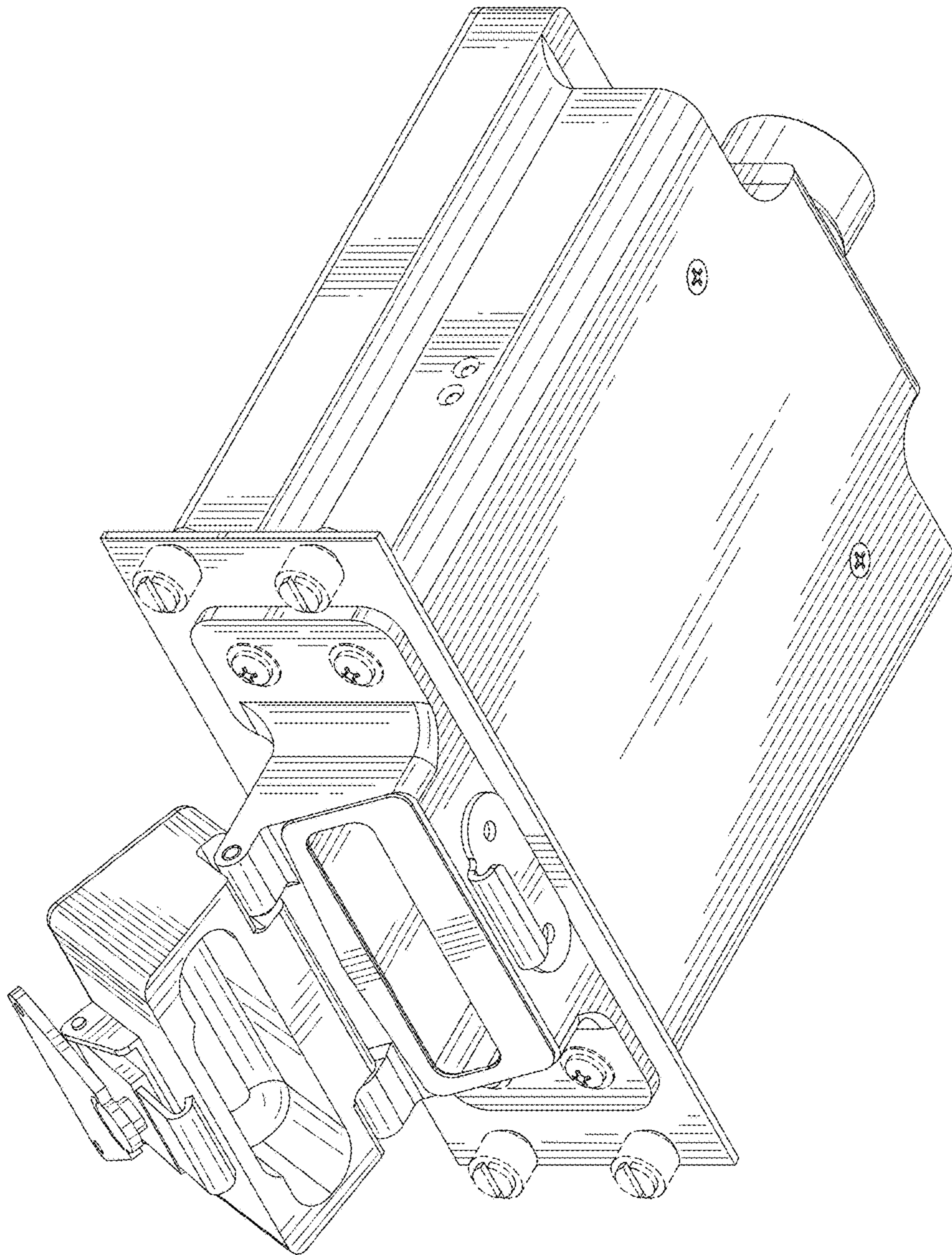


FIG. 13

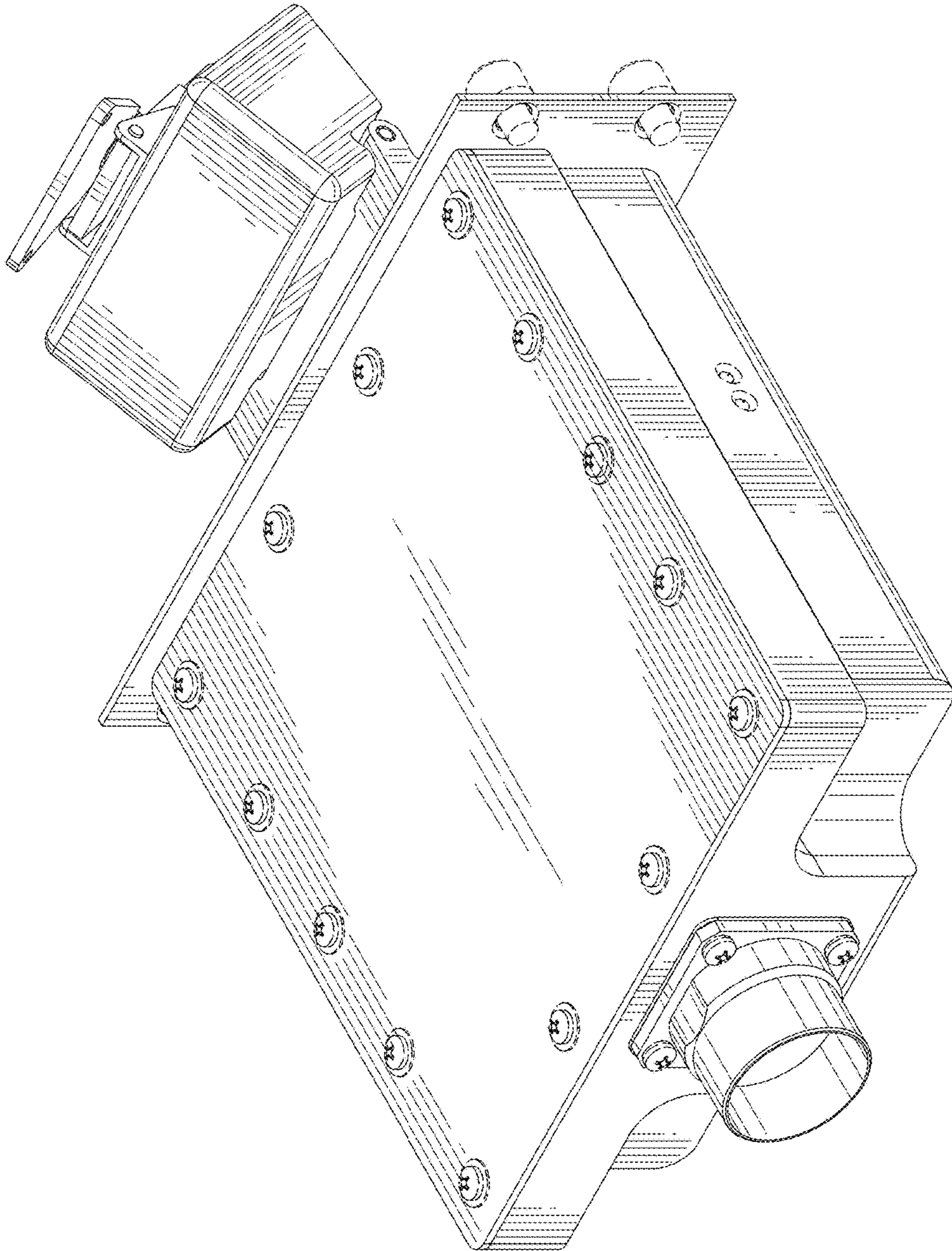


FIG. 14

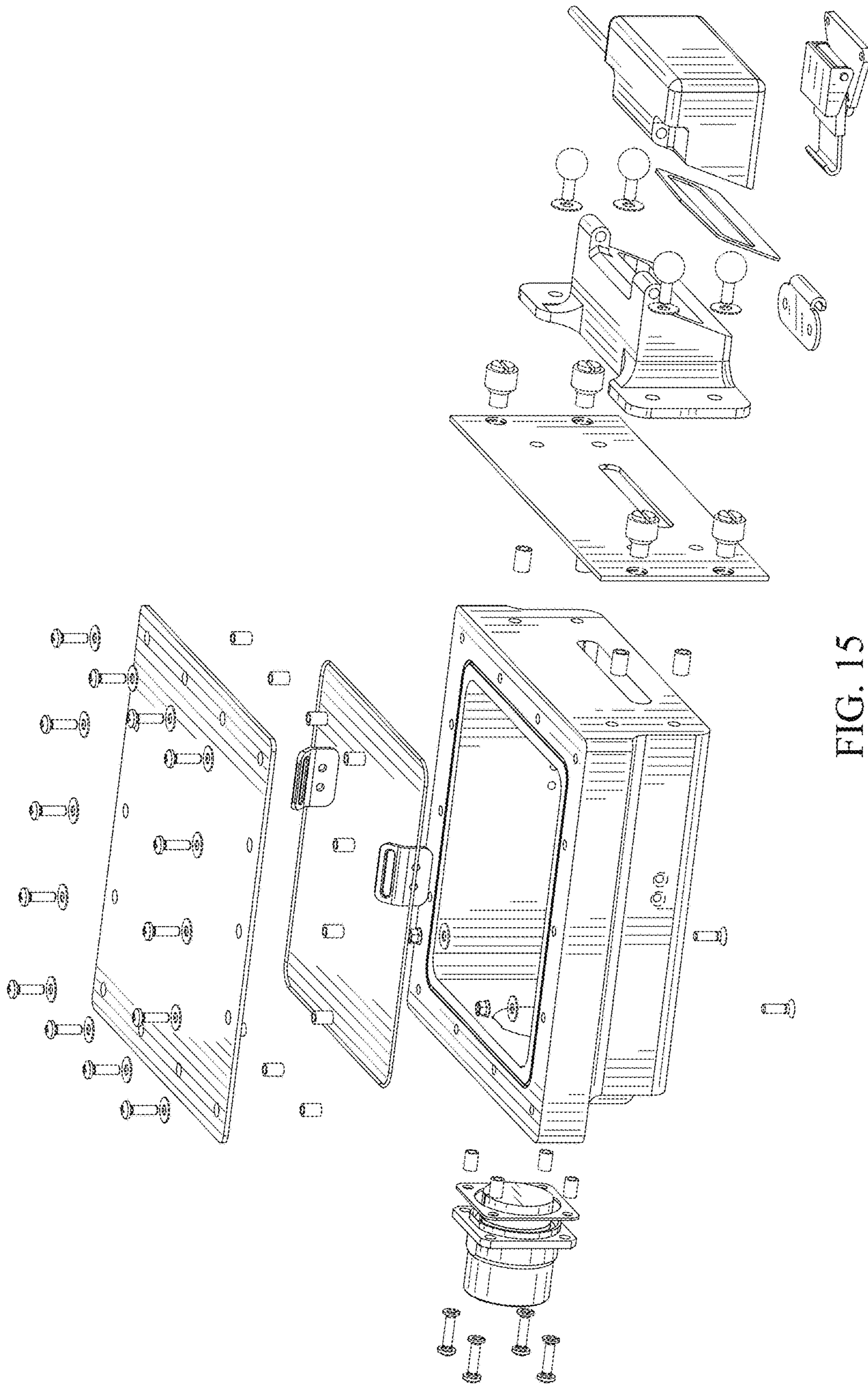


FIG. 15

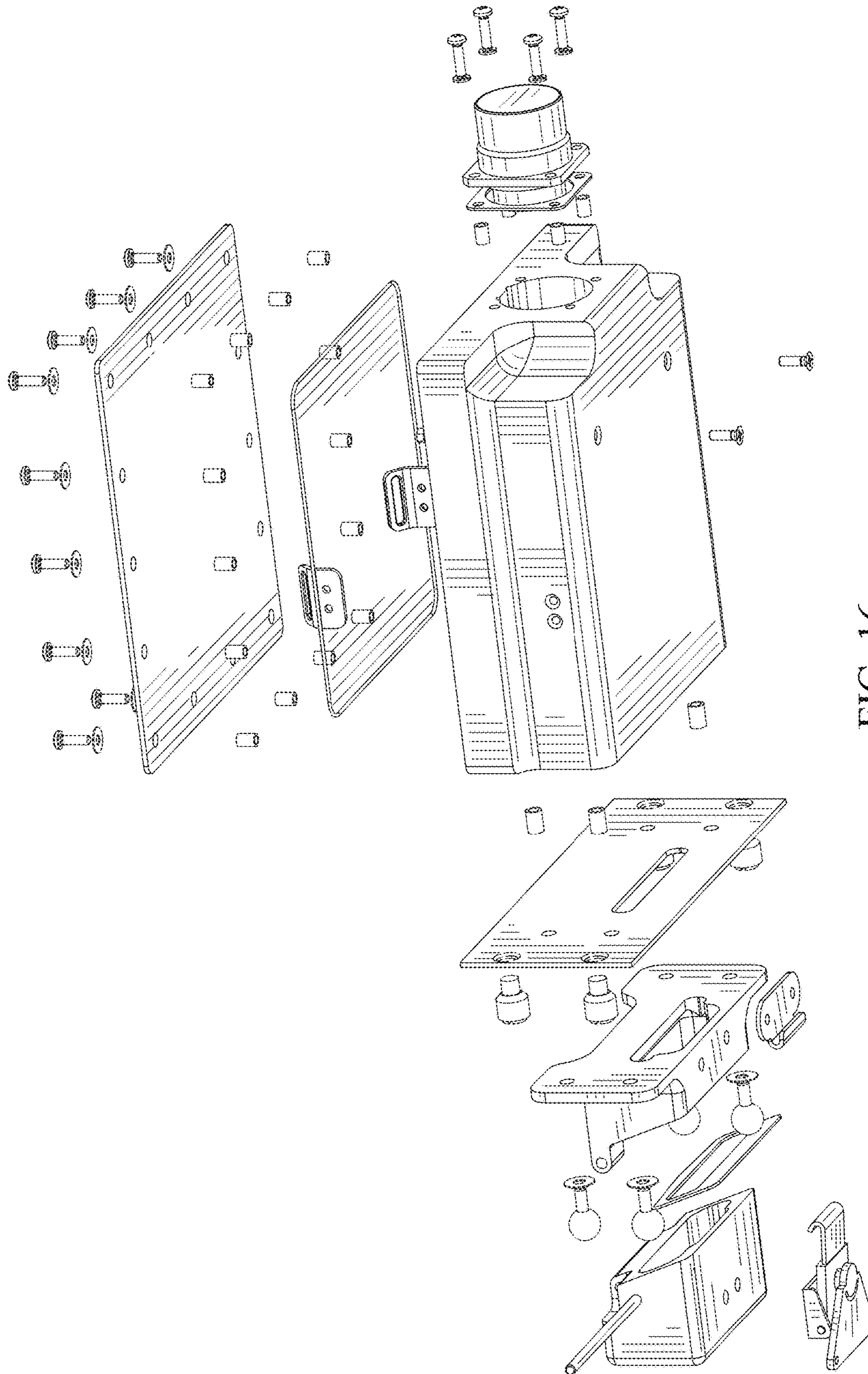


FIG. 16

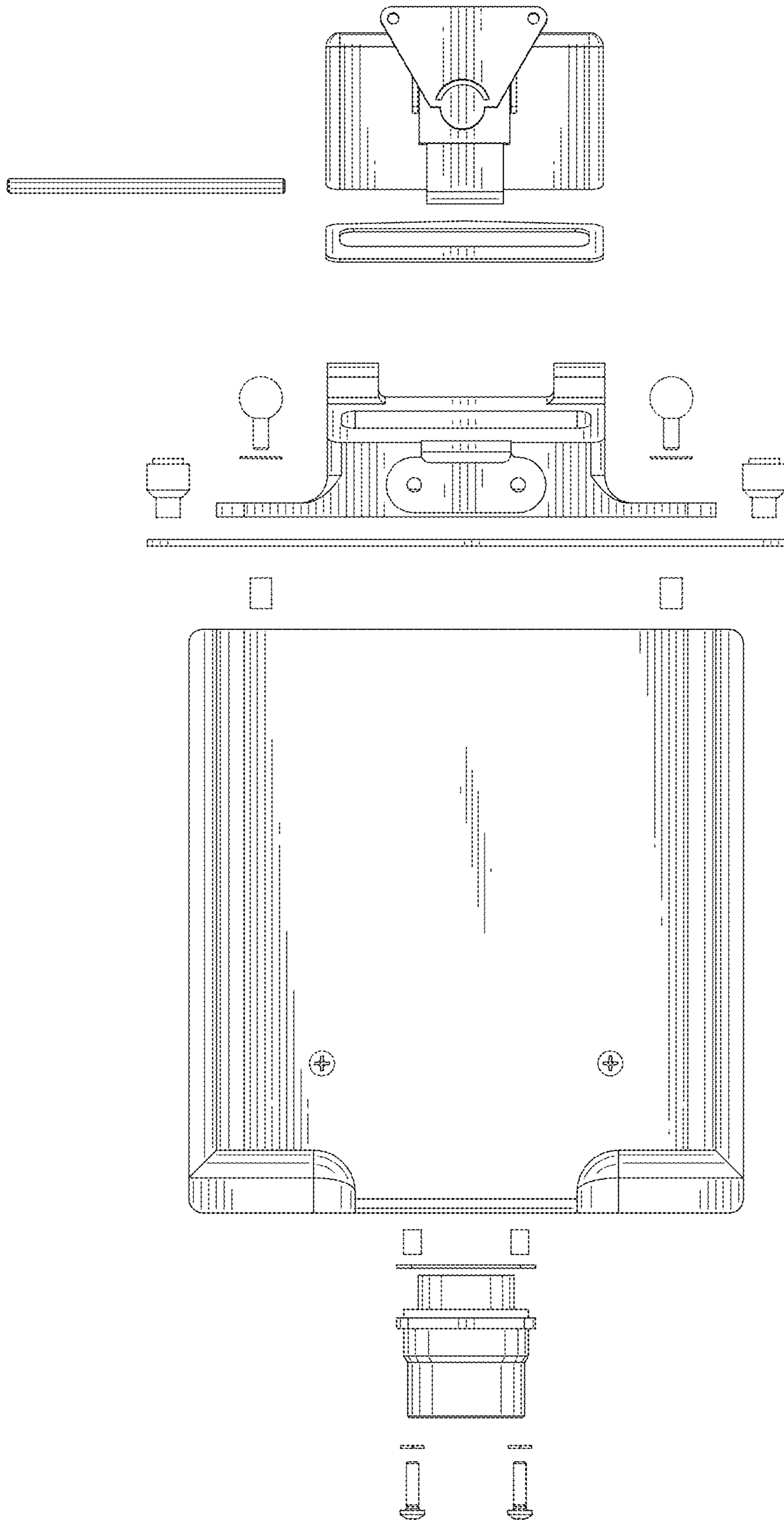


FIG. 17

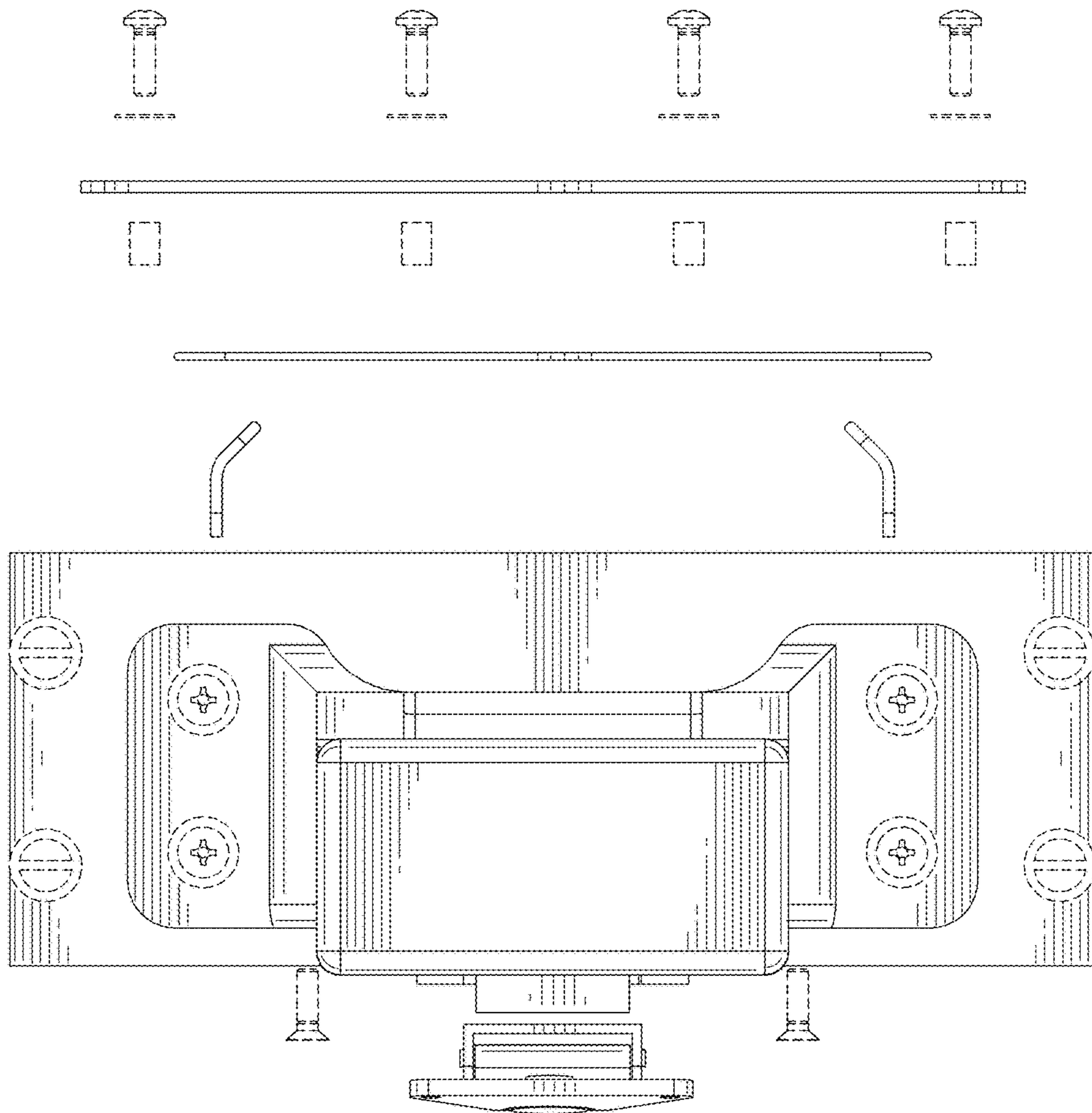


FIG. 18

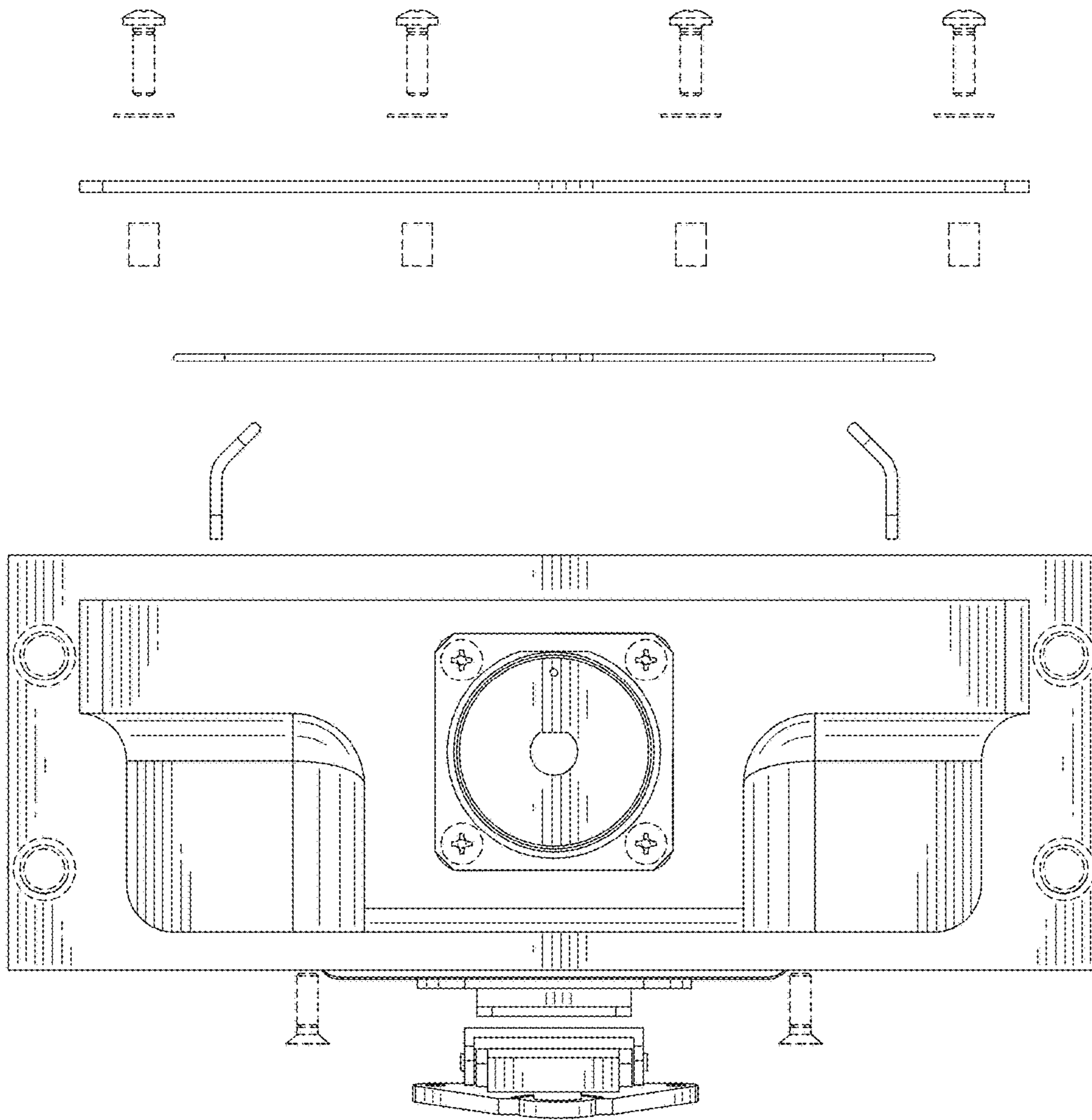


FIG. 19

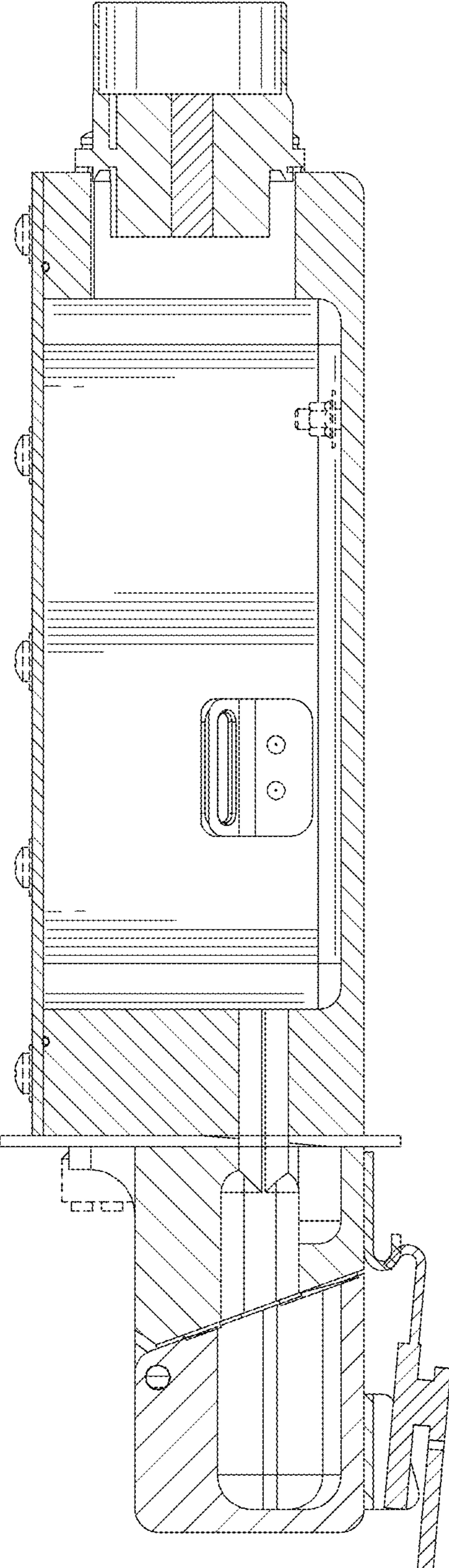


FIG. 20

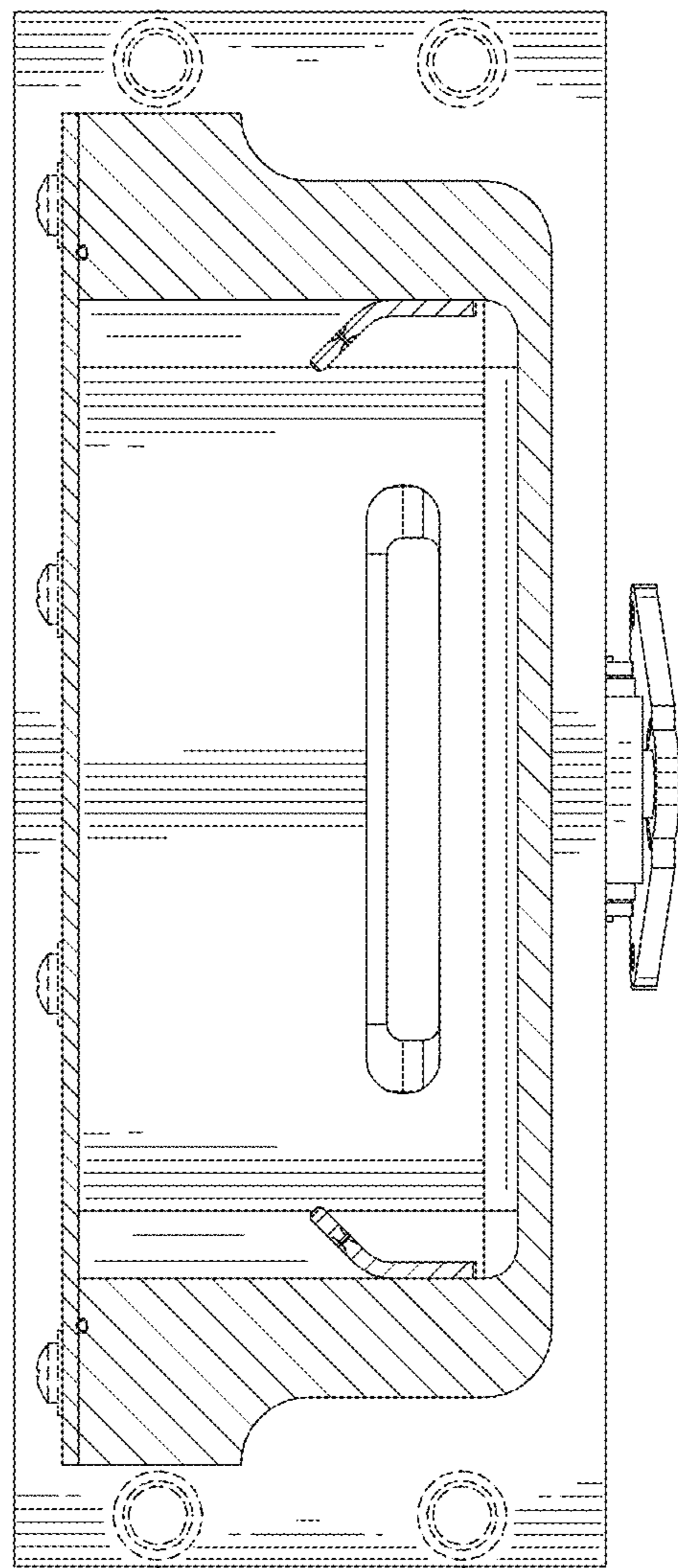


FIG. 21