



US00D804477S

(12) **United States Design Patent** (10) **Patent No.:** **US D804,477 S**  
**Harris et al.** (45) **Date of Patent:** **\*\* Dec. 5, 2017**

(54) **CARD READER AND ENCLOSURE**

(71) Applicants: **Kyle D. Harris**, Melbourne, FL (US); **Carlos A. Rodriguez Rivera**, Melbourne, FL (US); **Ryan Casey**, Amityville, NY (US); **Michael Colasuono**, West Hempstead, NY (US); **Kenneth D. Lemp**, Melbourne, FL (US); **Carl H. Patten, III**, Melbourne, FL (US)

(72) Inventors: **Kyle D. Harris**, Melbourne, FL (US); **Carlos A. Rodriguez Rivera**, Melbourne, FL (US); **Ryan Casey**, Amityville, NY (US); **Michael Colasuono**, West Hempstead, NY (US); **Kenneth D. Lemp**, Melbourne, FL (US); **Carl H. Patten, III**, Melbourne, FL (US)

(73) Assignee: **Northrop Grumman Systems Corporation**, Falls Church, VA (US)

(\*\*) Term: **15 Years**

(21) Appl. No.: **29/585,805**

(22) Filed: **Nov. 29, 2016**

(51) **LOC (10) Cl.** ..... **14-02**

(52) **U.S. Cl.**  
USPC ..... **D14/385**

(58) **Field of Classification Search**  
USPC ..... D14/356-358, 383-385, 420, 426, 427, D14/432-439, 447, 453, 454, 217, 253,  
(Continued)

(56) **References Cited**

U.S. PATENT DOCUMENTS

5,309,315 A 5/1994 Naedel et al.  
D469,761 S \* 2/2003 Nussberger ..... D14/341  
(Continued)

*Primary Examiner* — Austin Murphy  
(74) *Attorney, Agent, or Firm* — Tarolli, Sundheim, Covell & Tummino LLP; John A. Yirga, Esq.

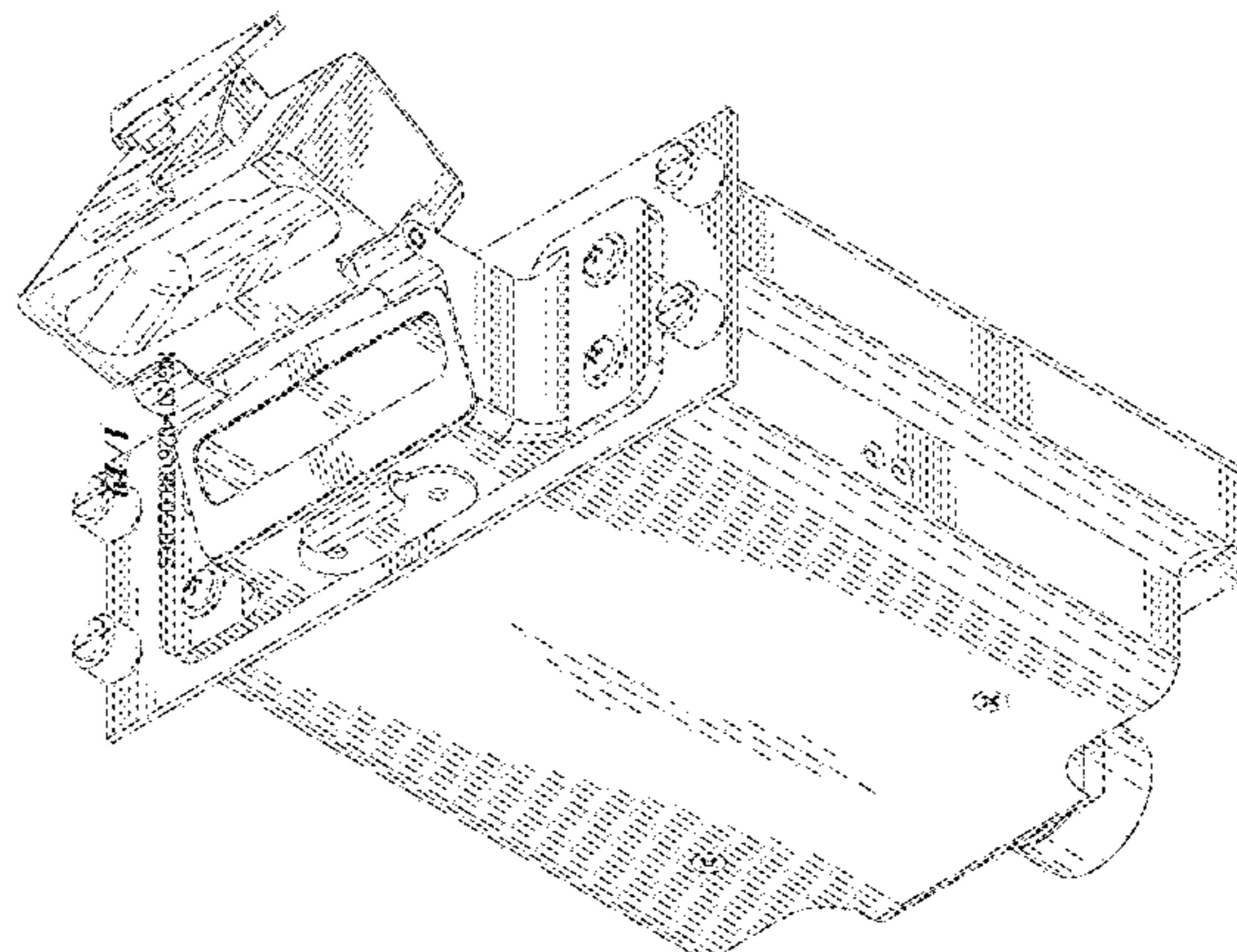
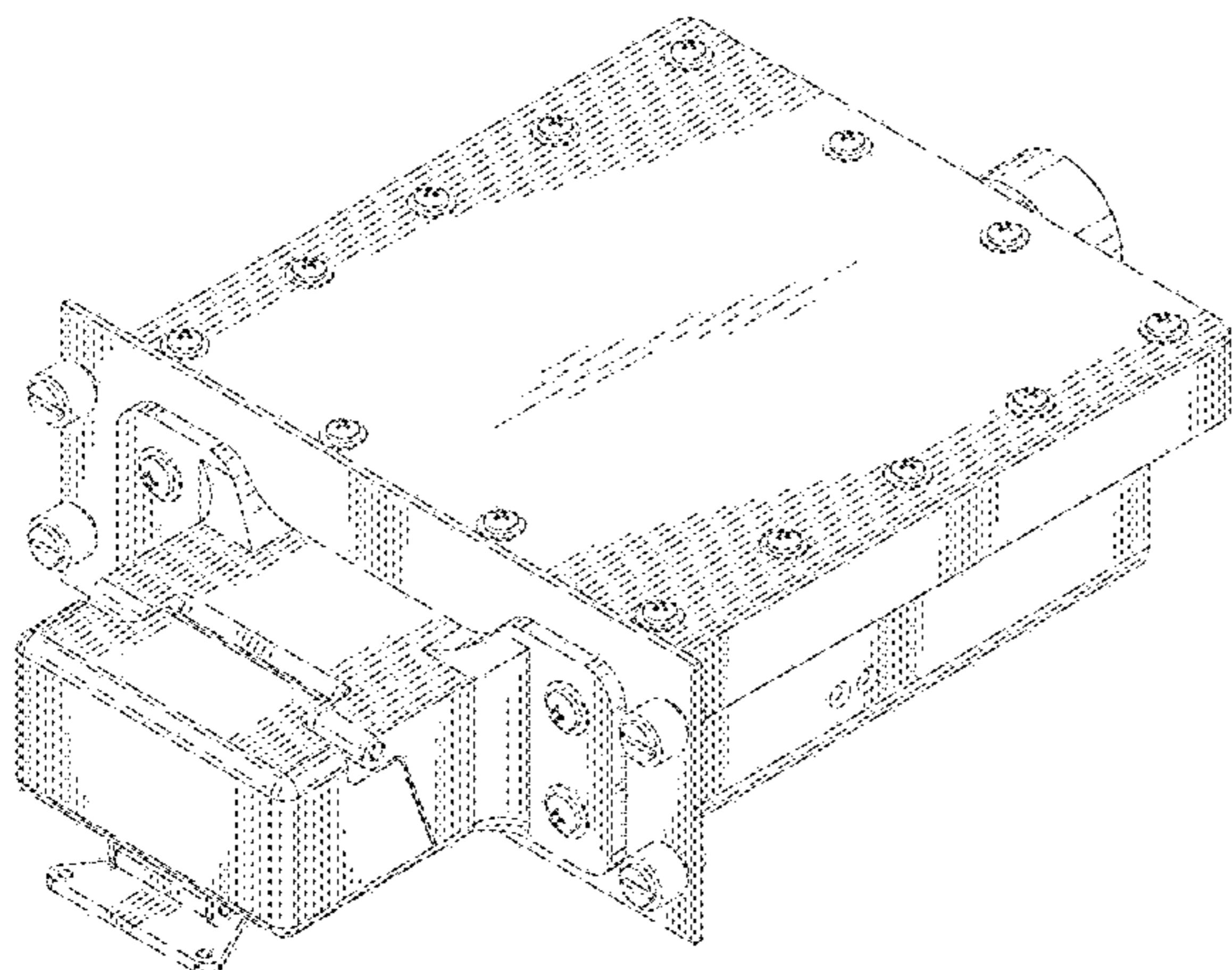
(57) **CLAIM**

The ornamental design for a card reader and enclosure, as shown and described.

**DESCRIPTION**

FIG. 1 is an upper front perspective view of a card reader and enclosure;  
FIG. 2 is an upper rear perspective view thereof;  
FIG. 3 is a lower front perspective view thereof;  
FIG. 4 is a lower rear perspective view thereof;  
FIG. 5 is a top plan view thereof;  
FIG. 6 is a bottom plan view thereof;  
FIG. 7 is a rear elevation view thereof;  
FIG. 8 is a front elevation view thereof;  
FIG. 9 is a right side elevation view thereof;  
FIG. 10 is a left side elevation view thereof;  
FIG. 11 is a lower front perspective view of the card reader and enclosure in a second usage environment;  
FIG. 12 is an upper front perspective view of the card reader and enclosure in the second usage environment;  
FIG. 13 is an upper perspective exploded assembly view thereof;  
FIG. 14 is a lower perspective exploded assembly view thereof;  
FIG. 15 is a top plan exploded assembly view thereof;  
FIG. 16 is a front elevation exploded assembly view thereof;  
FIG. 17 is a rear elevation exploded assembly view thereof;  
FIG. 18 is a section view of FIG. 5 along section lines 18-18; and,  
FIG. 19 is a section view of FIG. 5 along section lines 19-19. The broken lines showing an unclaimed portion of the card reader and enclosure is included for the purpose of illustrating environment and forms no part of the claimed design.

**1 Claim, 19 Drawing Sheets**



(58) **Field of Classification Search**

USPC ..... D14/299; D13/107, 108, 133, 146, 147,  
 D13/152, 154, 156, 158, 162, 162.1, 168,  
 D13/173, 177, 102; 235/441, 451, 492,  
 235/380, 439, 375; 361/679.31, 600,  
 361/679.01, 679.02  
 CPC .... G06Q 20/347; G06Q 20/322; G06Q 40/02;  
 G06Q 30/06; G07F 7/0886  
 See application file for complete search history.

(56) **References Cited**

U.S. PATENT DOCUMENTS

6,532,152	B1	3/2003	White et al.	
D477,321	S *	7/2003	Baughman .....	D14/385
6,944,022	B1	9/2005	Kehret et al.	
D562,818	S *	2/2008	Chen .....	D14/385
D563,956	S *	3/2008	Kato .....	D14/348
D576,164	S *	9/2008	Takahashi .....	D14/385
D577,038	S *	9/2008	Nakamura .....	D14/385
D586,813	S *	2/2009	Colburn .....	D14/385
D711,875	S *	8/2014	Daniel .....	D14/385
D712,902	S *	9/2014	Daniel .....	D14/385
D730,355	S *	5/2015	Daniel .....	D14/307
D764,468	S *	8/2016	Yamamiya .....	D14/385
D771,629	S *	11/2016	Yang .....	D14/385
D774,510	S *	12/2016	Rotsaert .....	D14/385
D791,223	S *	7/2017	Blanc .....	D14/385
D792,405	S *	7/2017	Bousfield .....	D14/385
2005/0285990	A1	12/2005	Havelka et al.	

\* cited by examiner



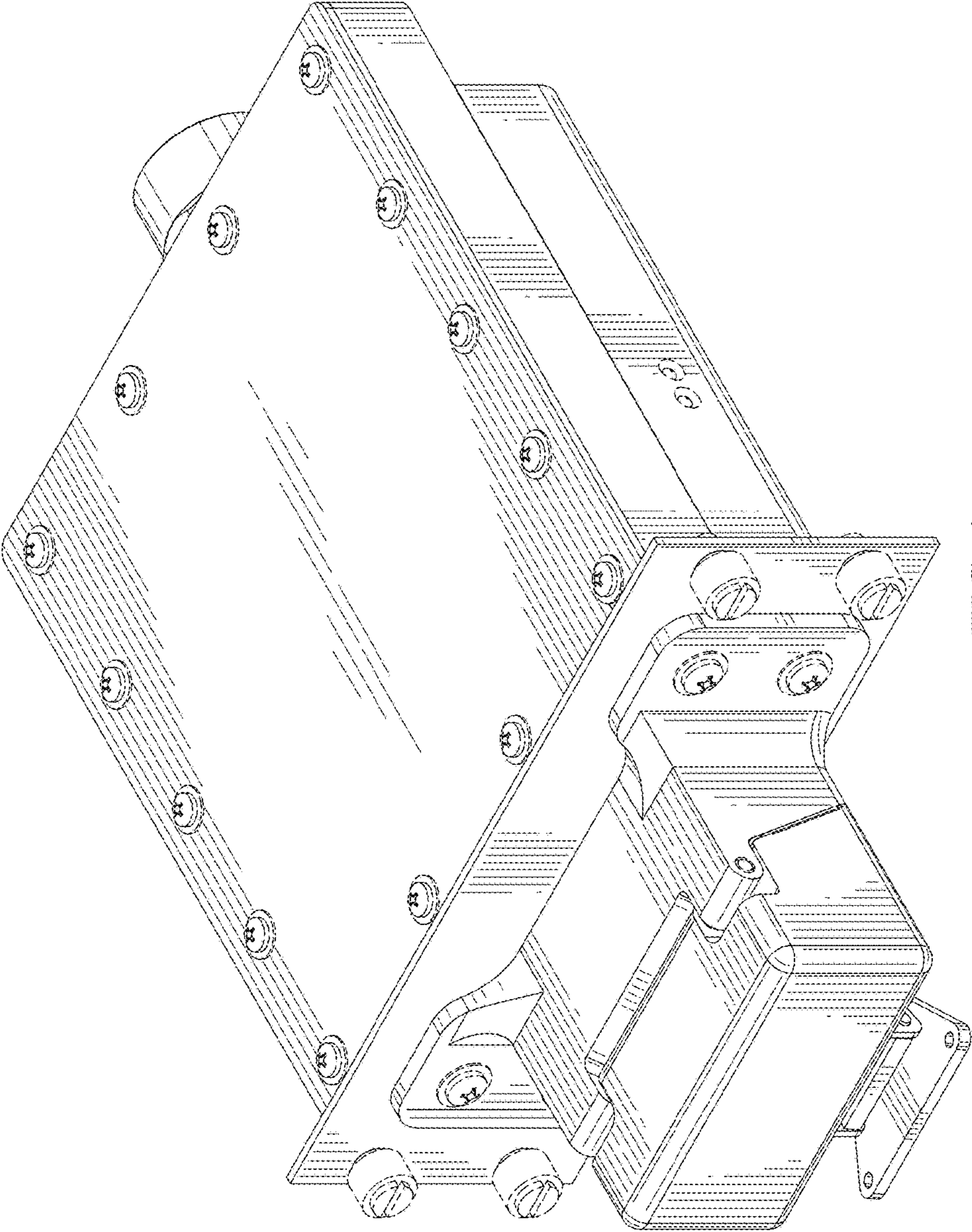


FIG. 1

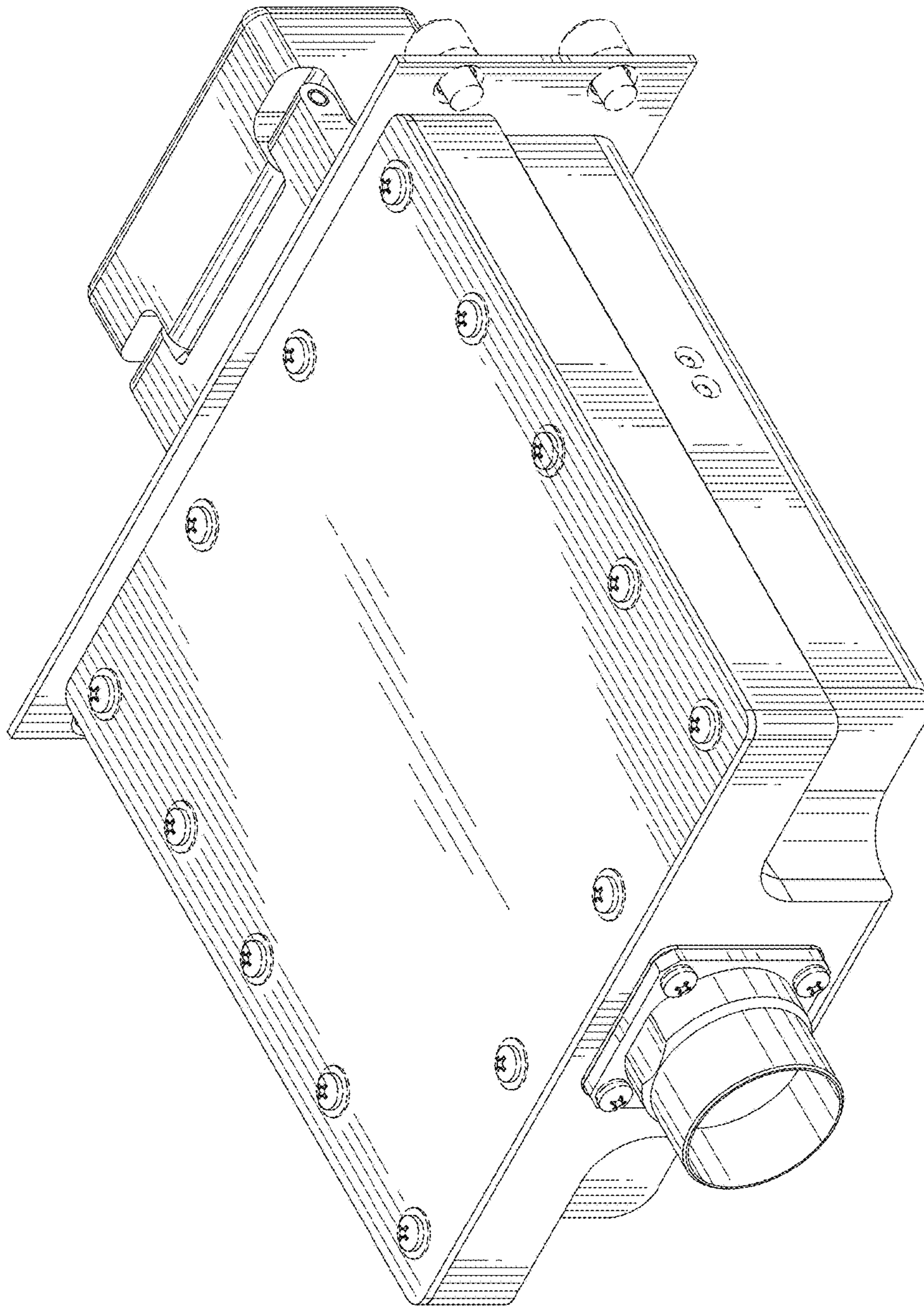


FIG. 2



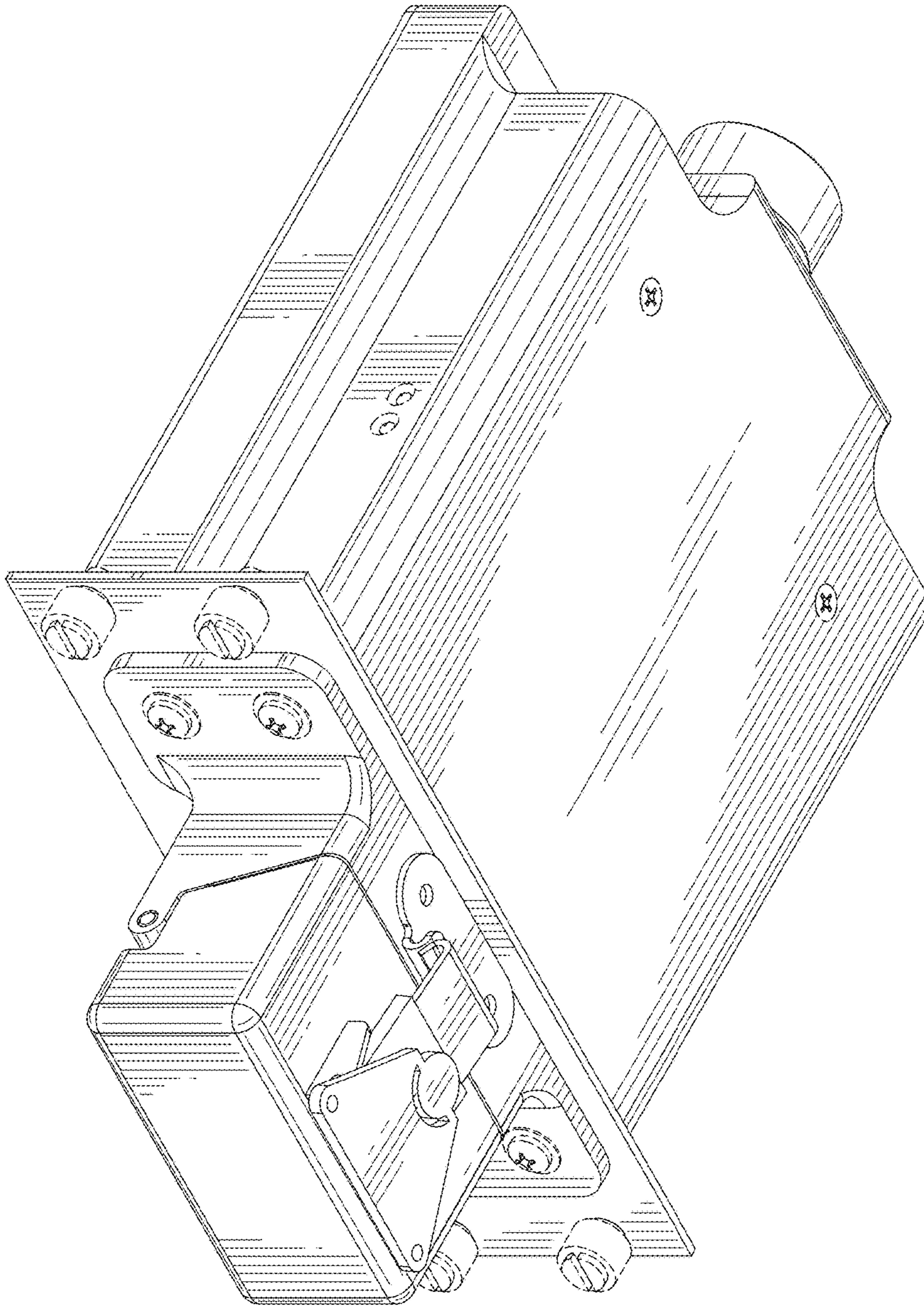


FIG. 3

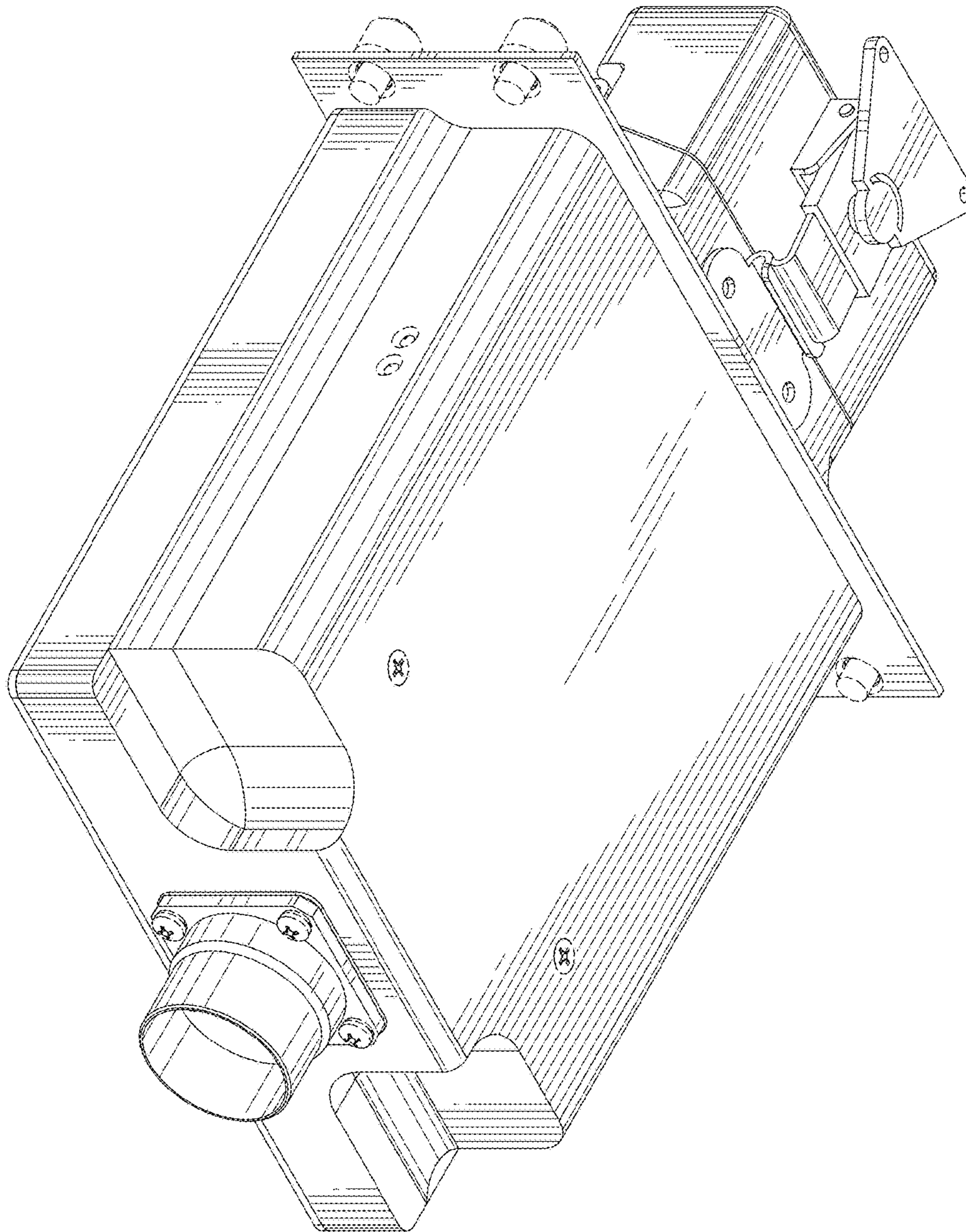


FIG. 4

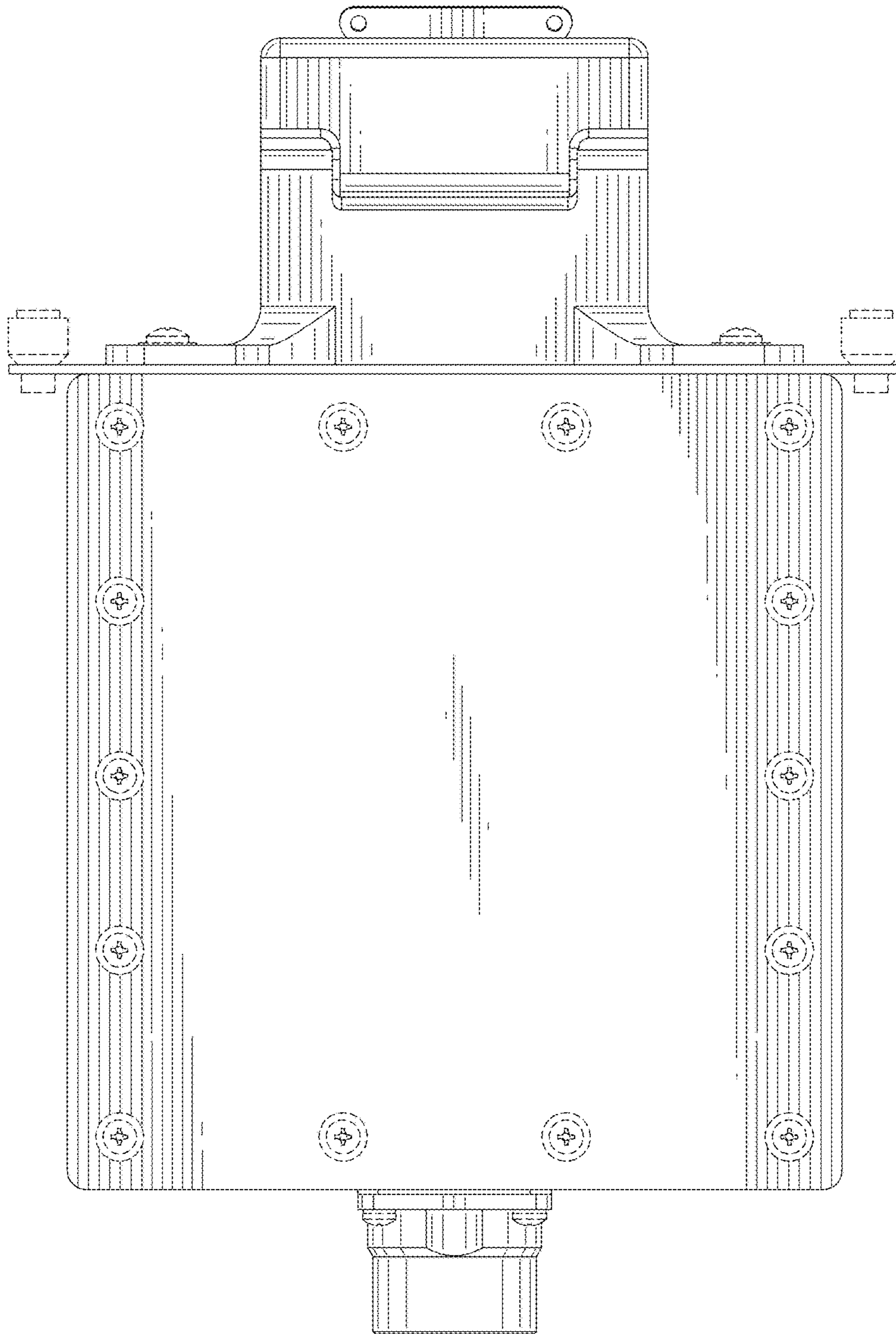


FIG. 5



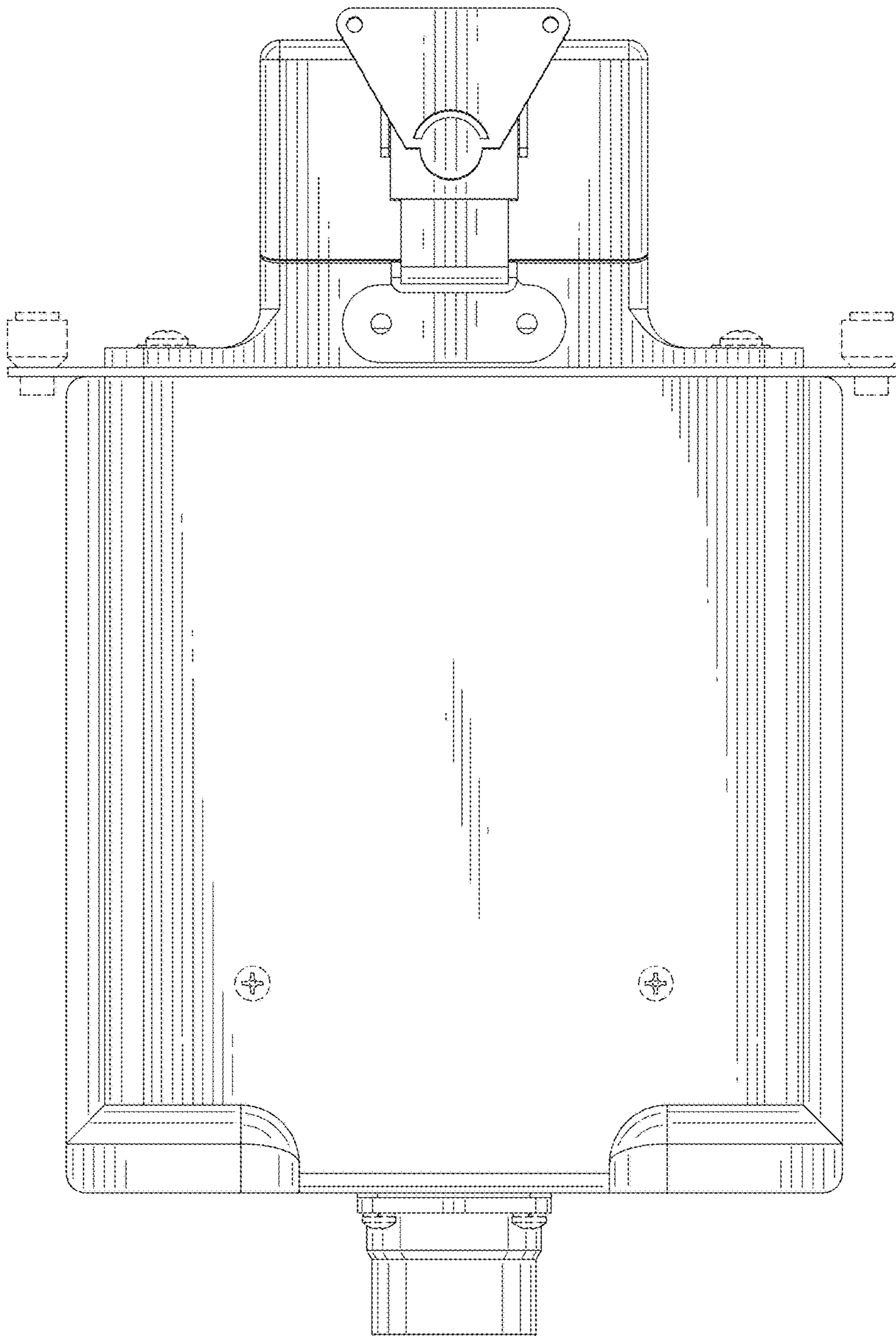


FIG. 6



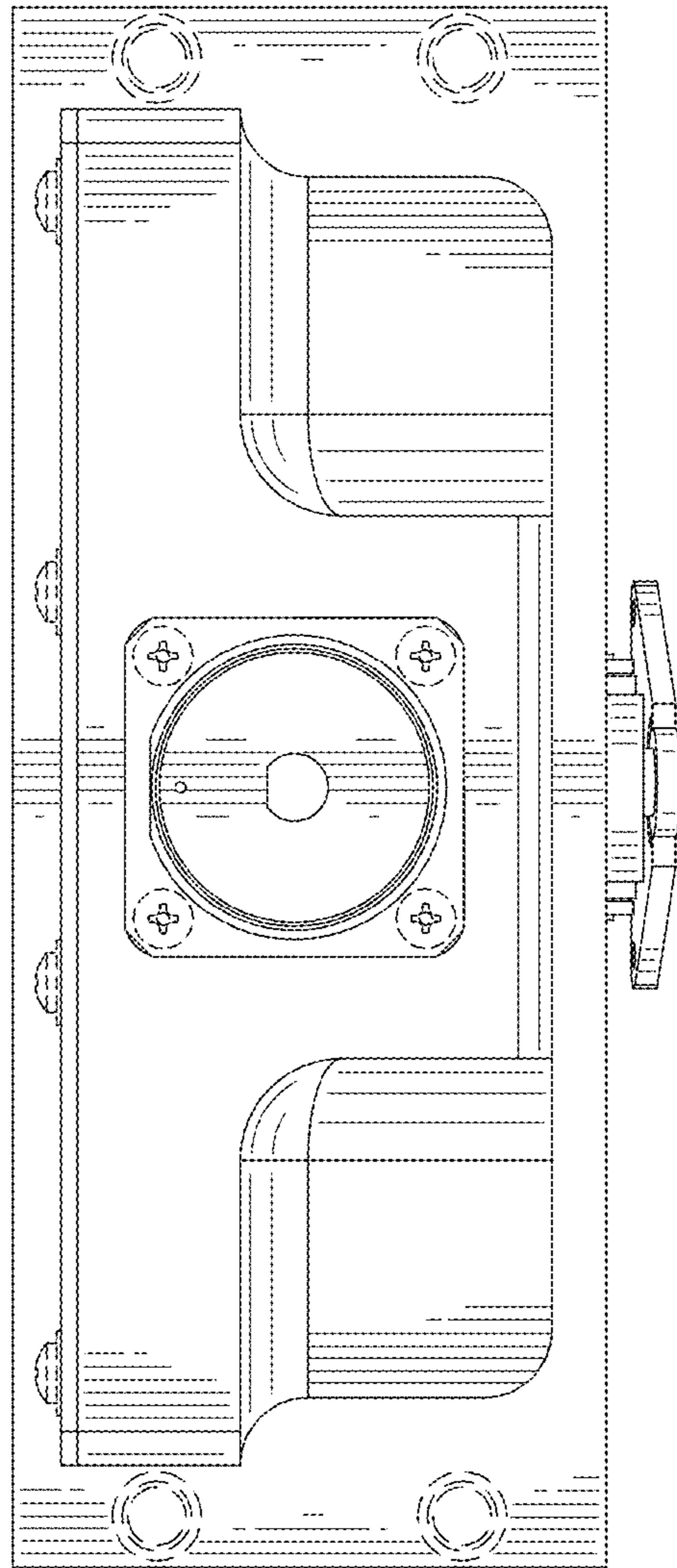


FIG. 7

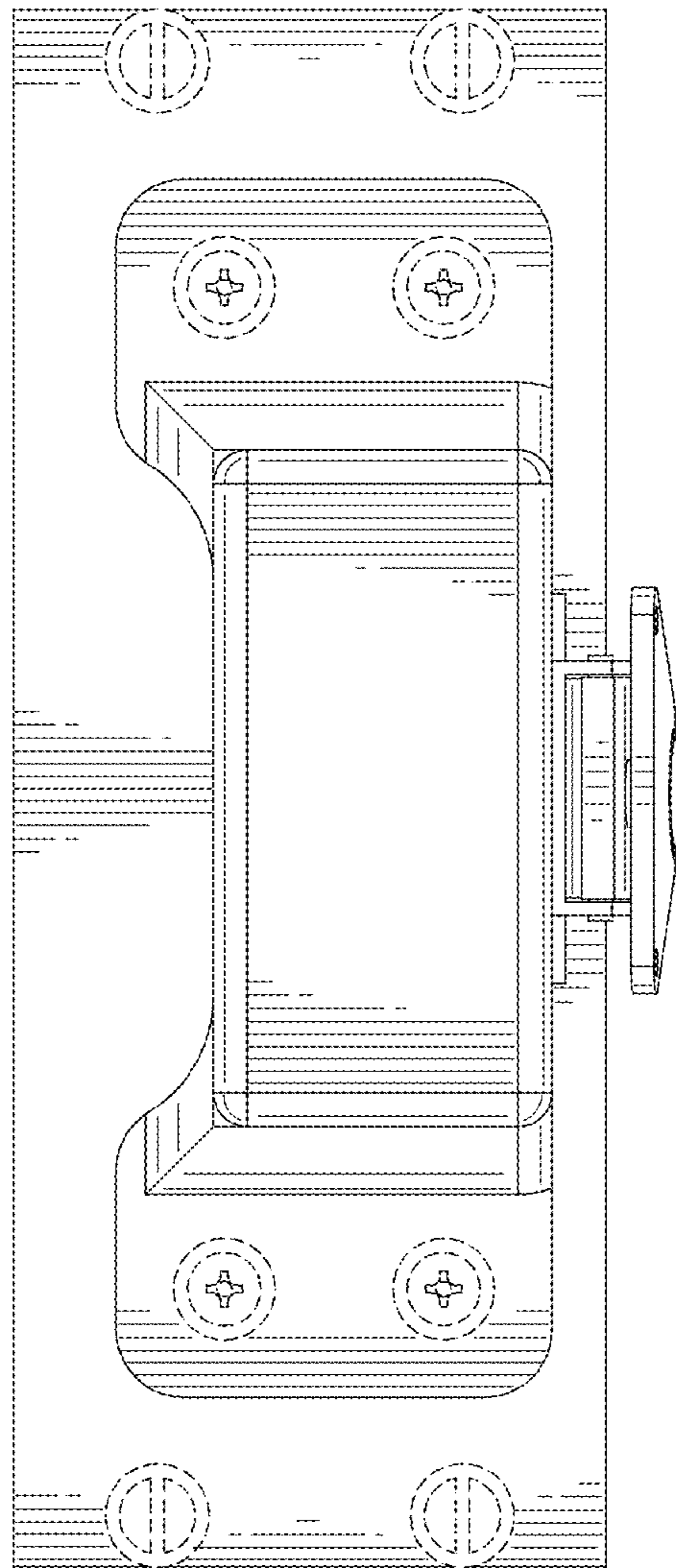


FIG. 8

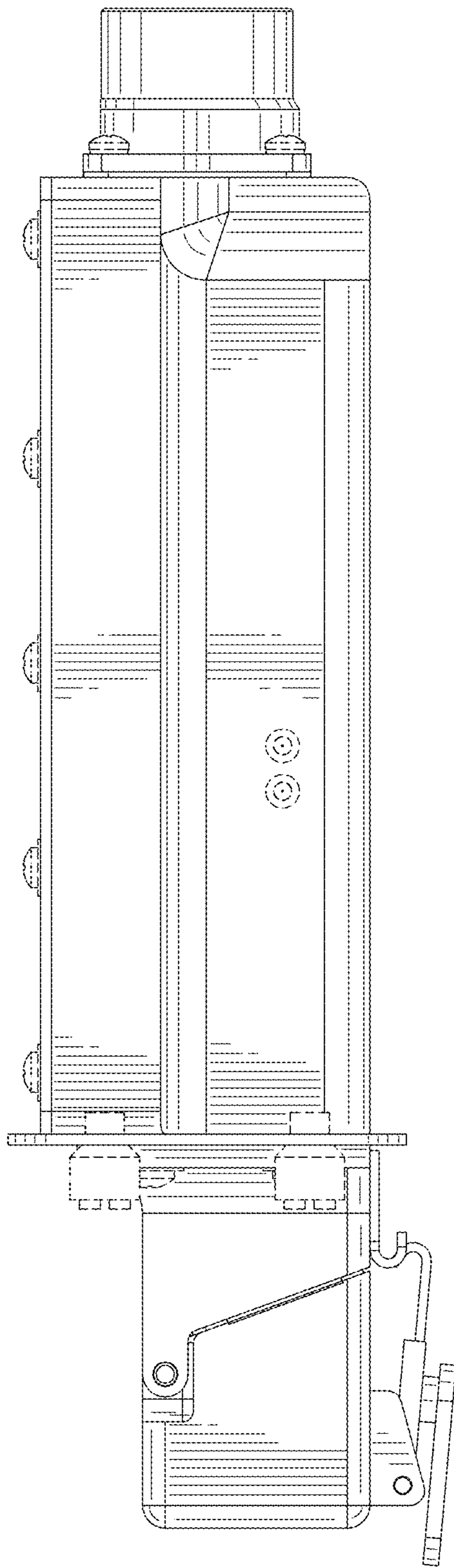


FIG. 9



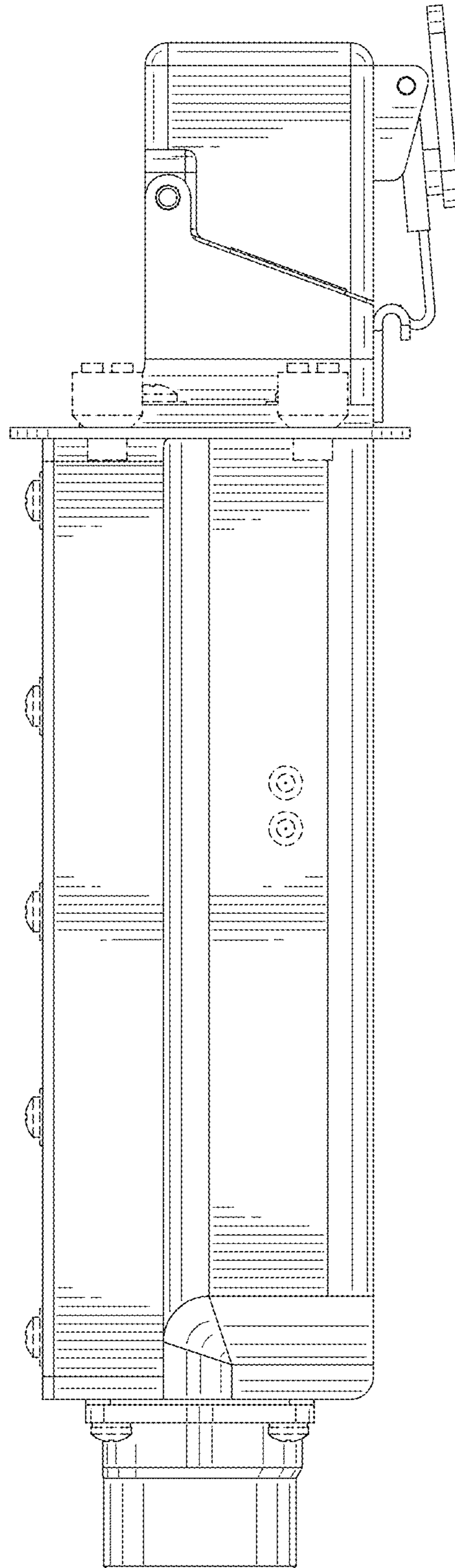


FIG. 10

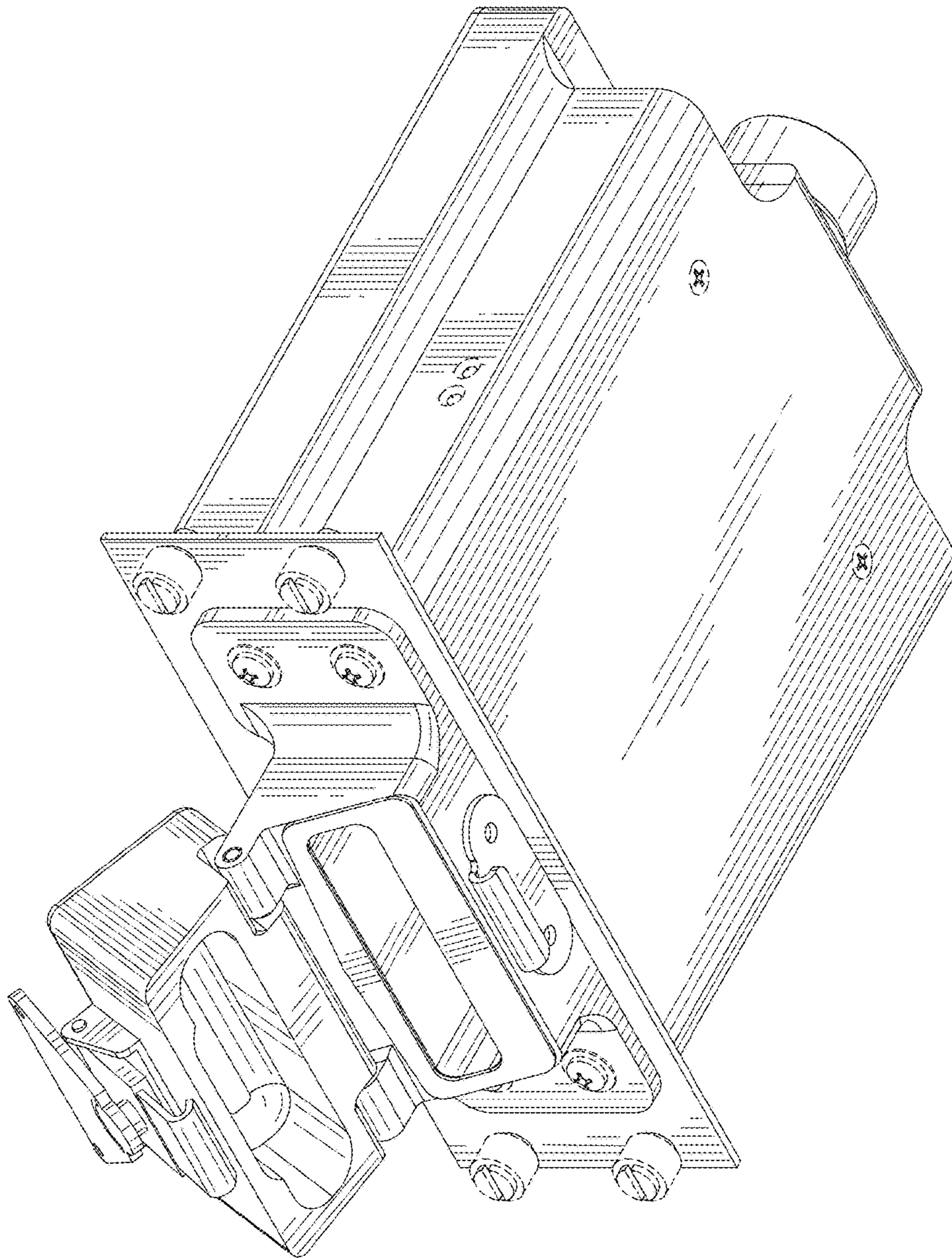


FIG. 11

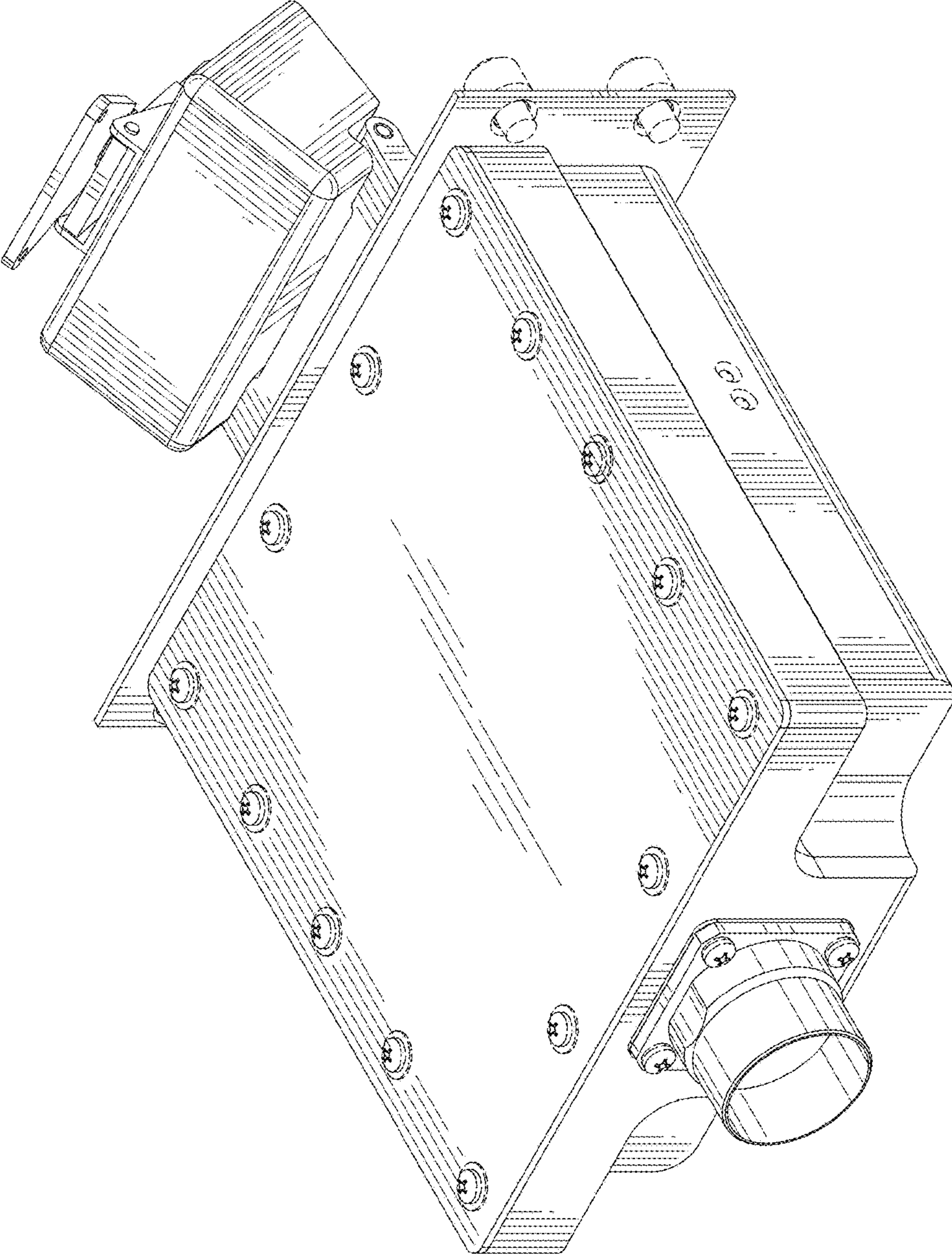


FIG. 12



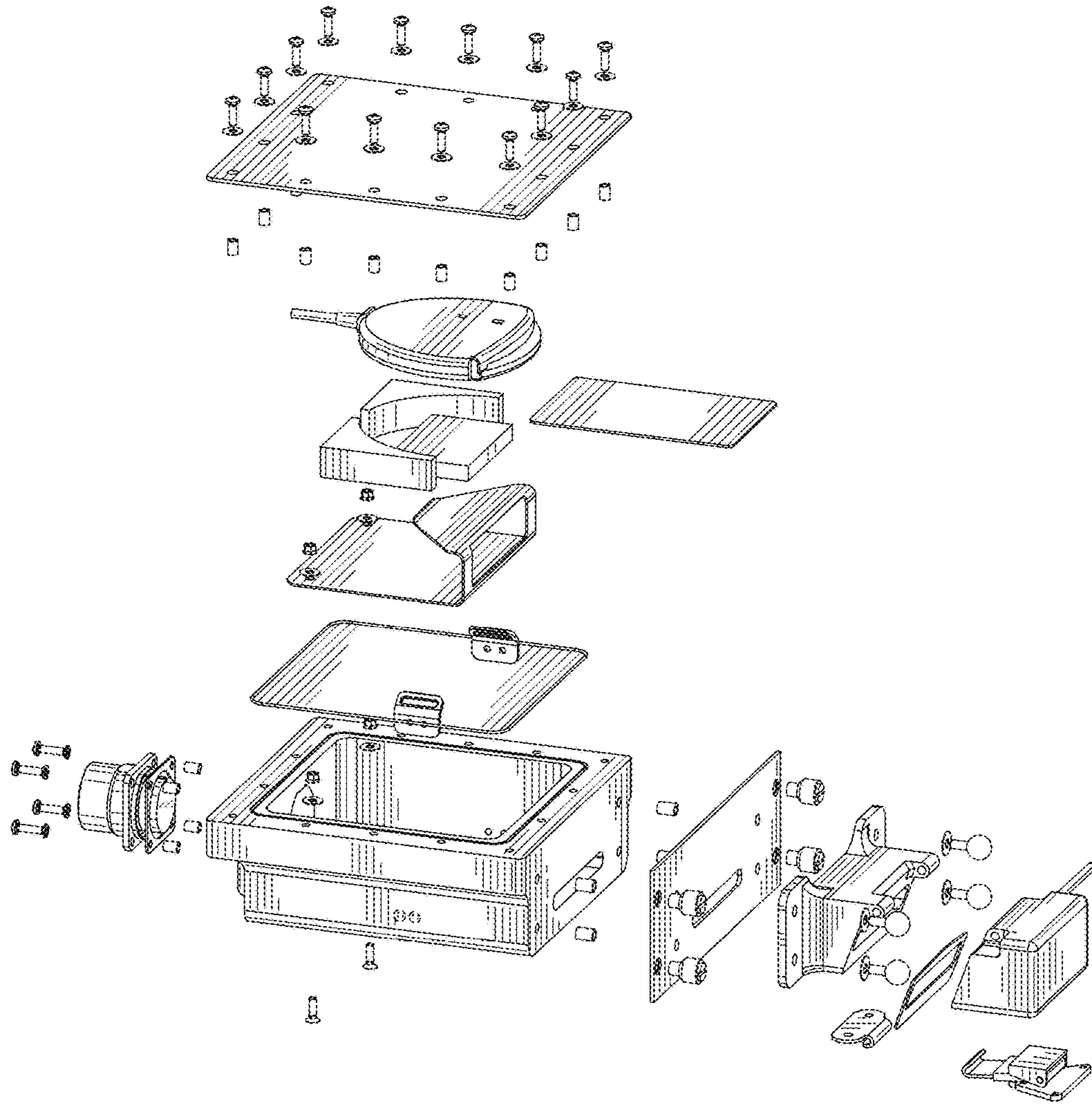


FIG. 13

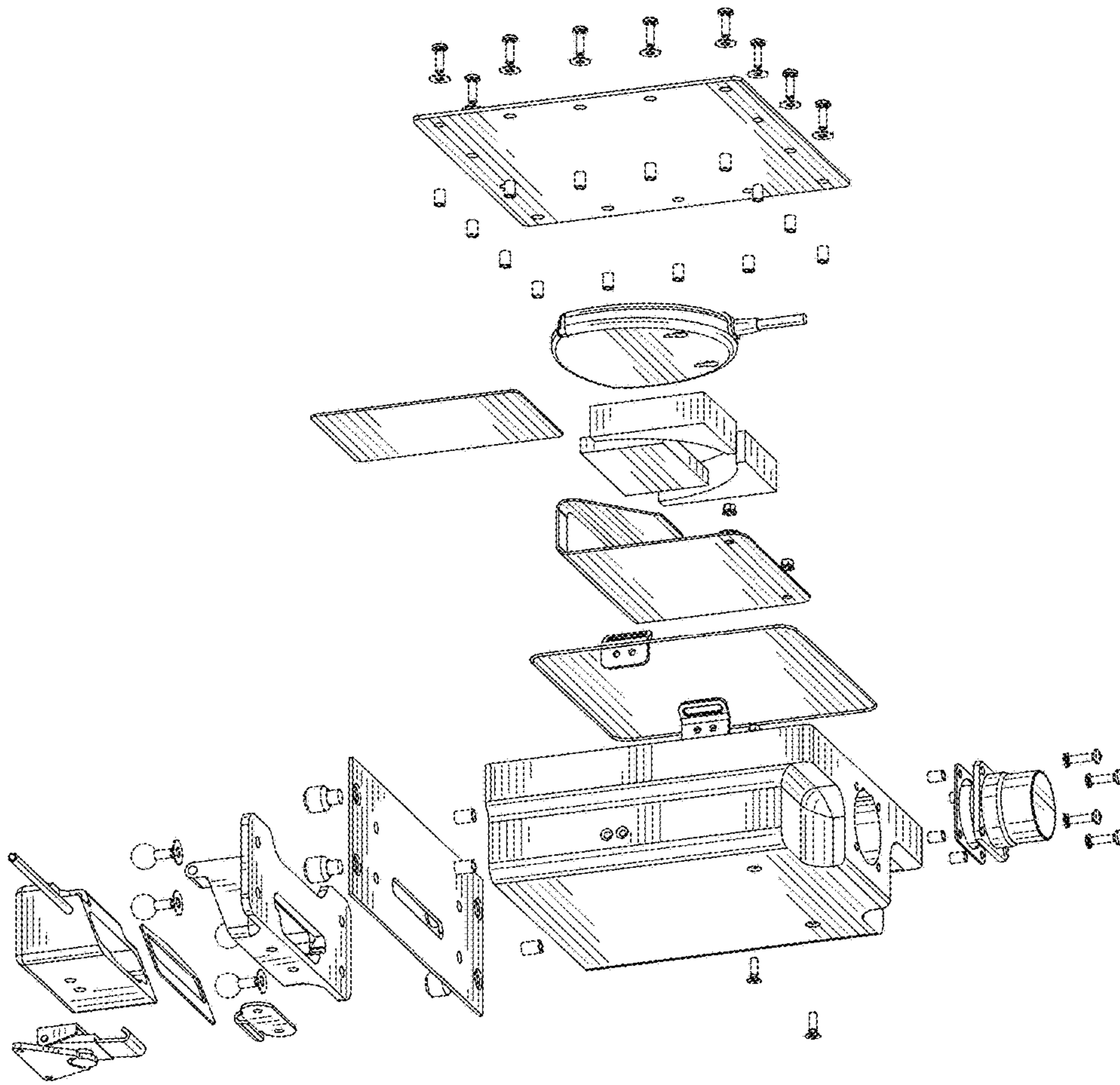


FIG. 14

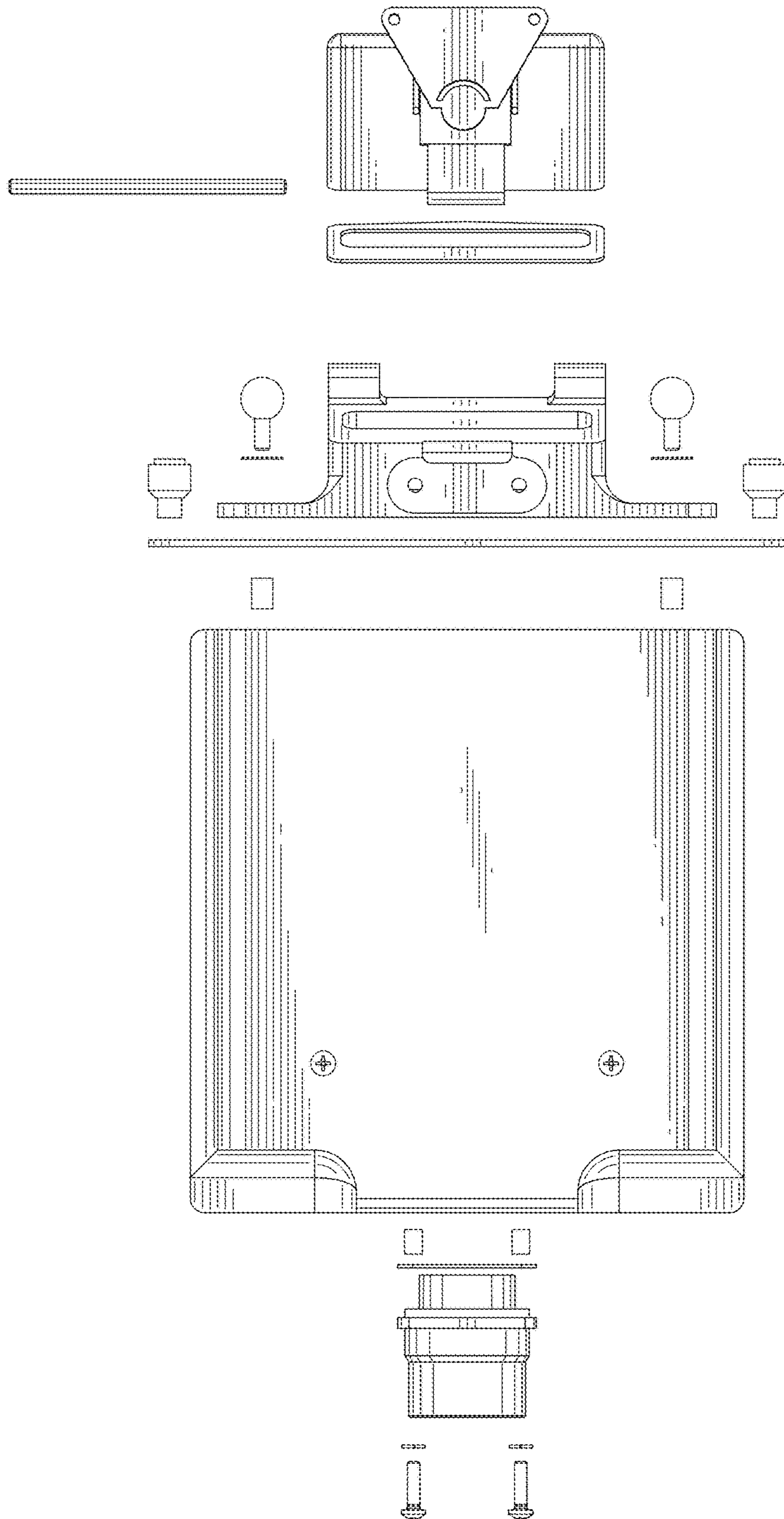


FIG. 15



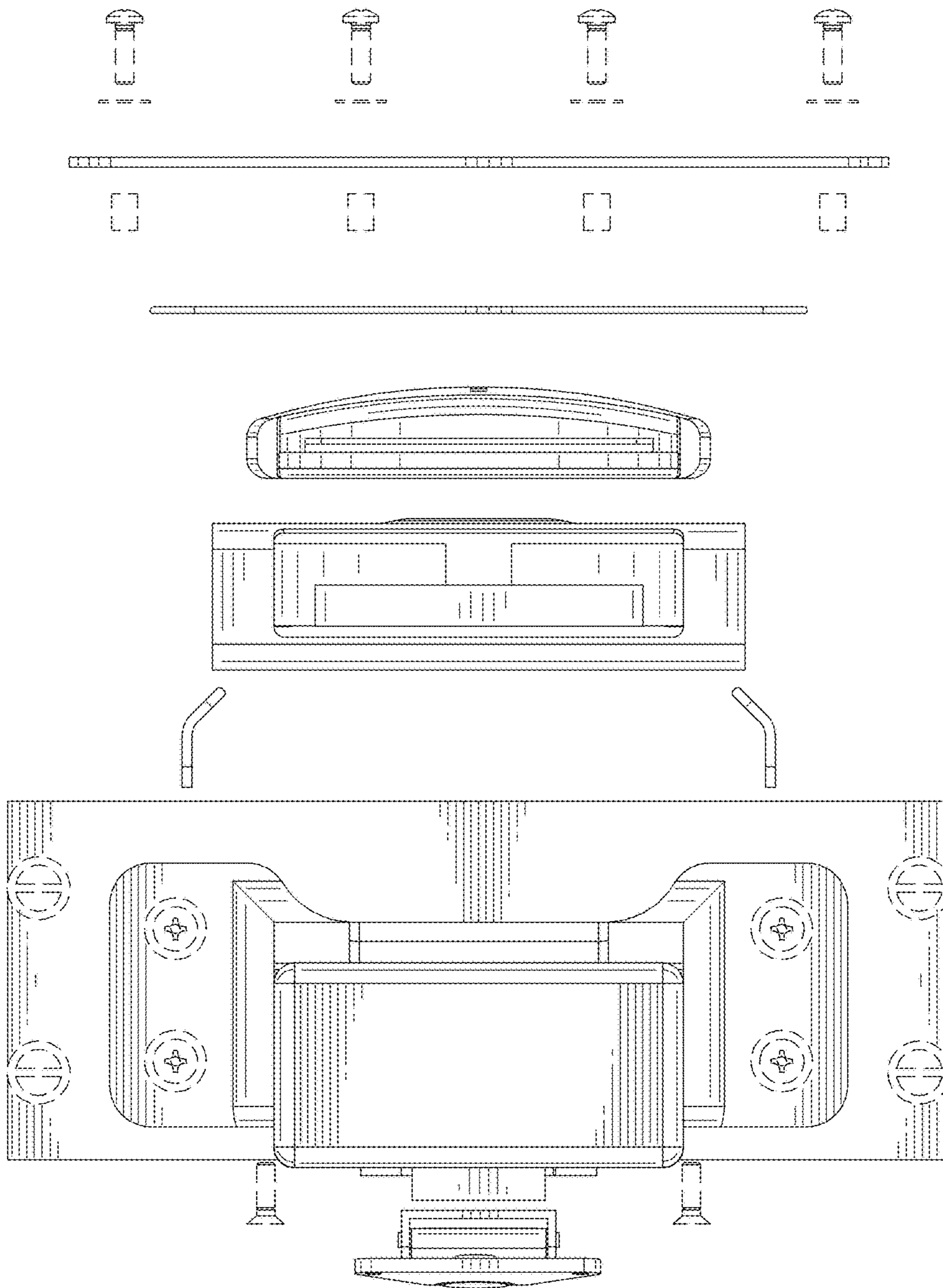


FIG. 16

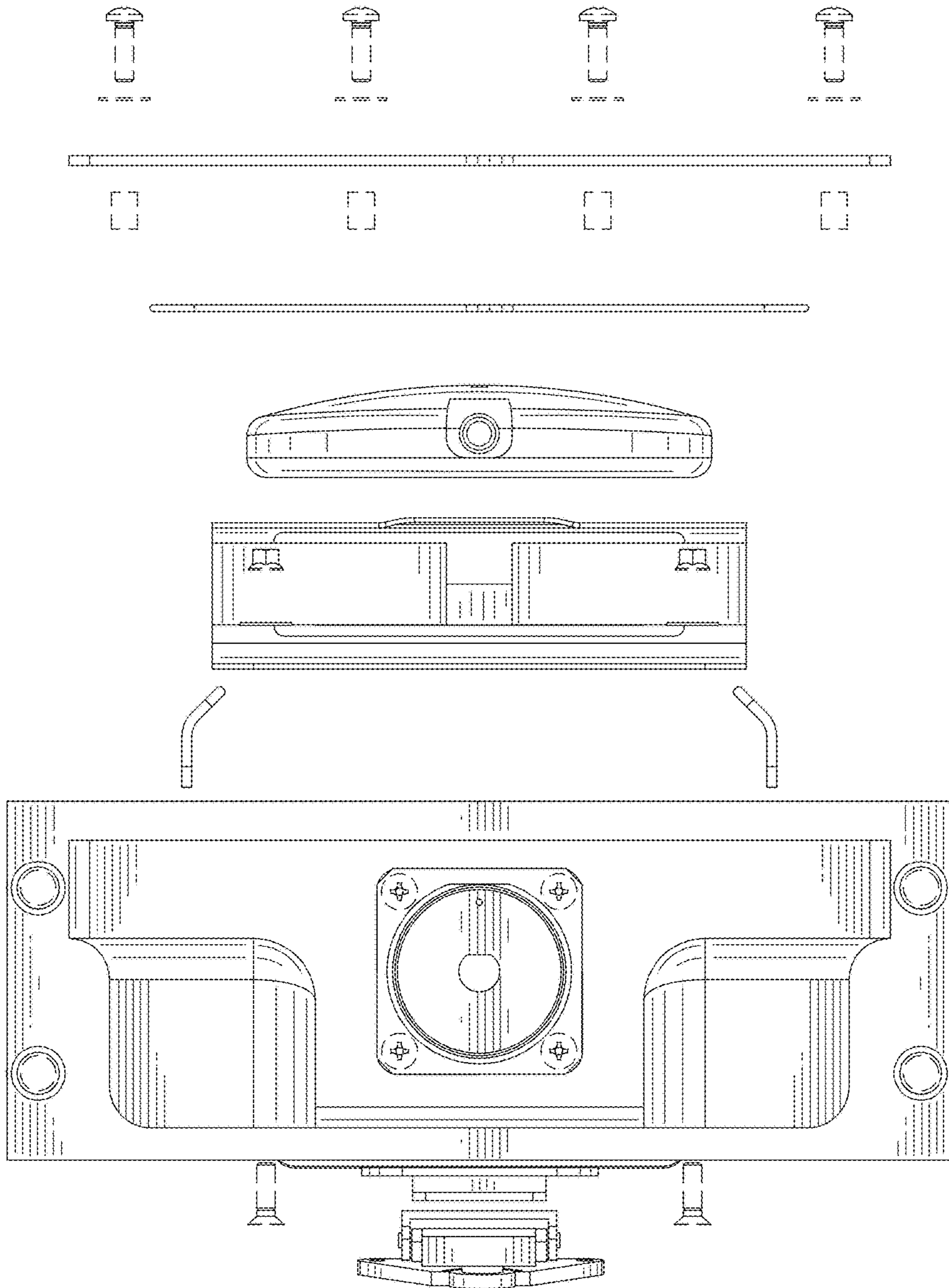


FIG. 17

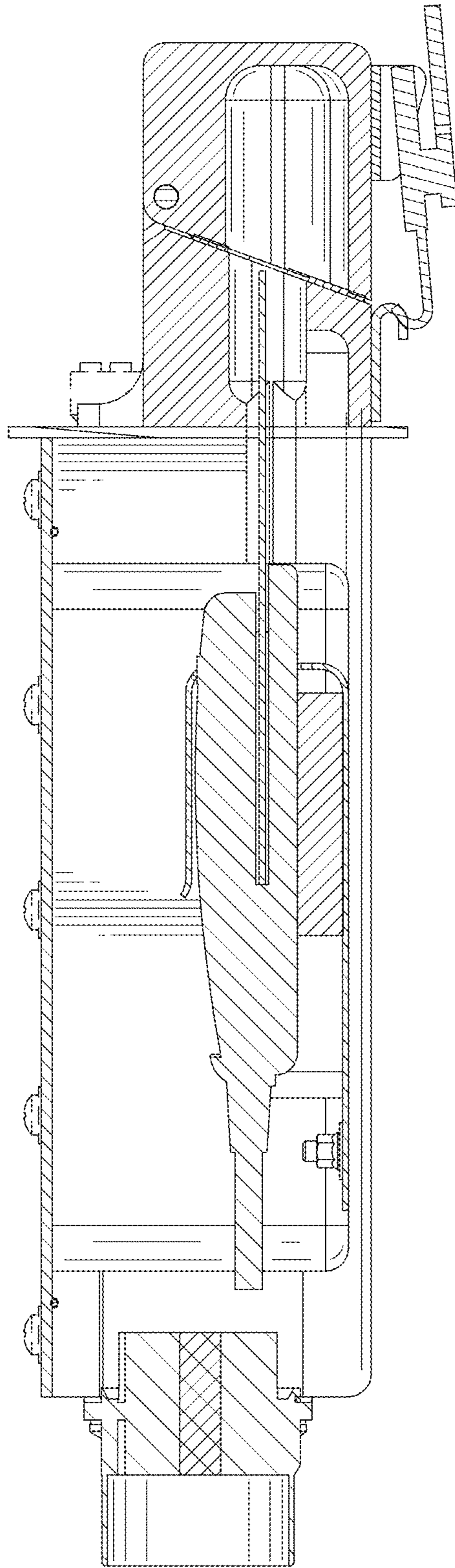


FIG. 18



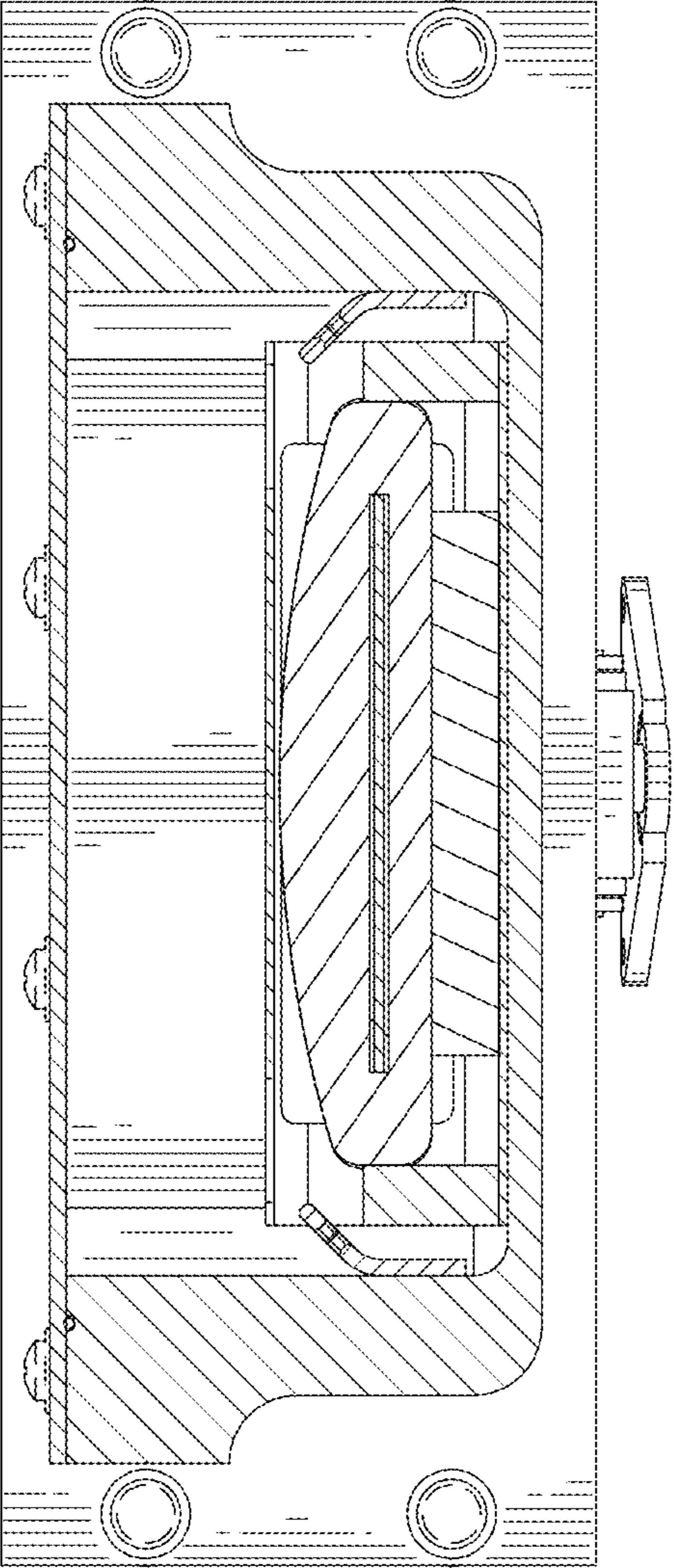


FIG. 19