



US00D804476S

(12) **United States Design Patent**
Hallar et al.

(10) **Patent No.:** **US D804,476 S**

(45) **Date of Patent:** **** Dec. 5, 2017**

(54) **INFORMATION HANDLING SYSTEM MONITOR**

(71) Applicant: **Dell Products L.P.**, Round Rock, TX (US)

(72) Inventors: **James H. Hallar**, Austin, TX (US);
Aaron vom Eigen, Austin, TX (US);
Kwame Appiahene-Agyei, Austin, TX (US);
Engin Hassamanci, Austin, TX (US)

(73) Assignee: **Dell Products L.P.**, Round Rock, TX (US)

(**) Term: **15 Years**

(21) Appl. No.: **29/577,269**

(22) Filed: **Sep. 12, 2016**

(51) **LOC (10) Cl.** **14-02**

(52) **U.S. Cl.**
USPC **D14/375**

(58) **Field of Classification Search**
USPC D14/371-377, 125-129, 336, 337, 341,
D14/239; 341/12; 345/104, 156, 168,
345/173; 348/180, 184, 325, 739; 349/1,
349/2, 11, 62; 361/679.05-679.07,
361/679.21; D6/300, 308
CPC G06F 1/16; G06F 1/1601; G06F 3/037;
G06F 1/162; G06F 1/1613; G06F
1/133308; F16M 11/02; F16M 11/10;
F16M 11/00; F16M 11/06; F16M 11/18;
F16M 11/045; F16M 11/105; F16M
11/041; F16M 11/126; F16M 11/04;
F16M 13/02; F16M 11/24; A47F 5/00
See application file for complete search history.

(56) **References Cited**

U.S. PATENT DOCUMENTS

D422,576 S * 4/2000 Chuo D14/126
D453,022 S * 1/2002 Oba D14/374

D464,049 S * 10/2002 Goto D14/374
D469,091 S * 1/2003 Hasegawa D14/375
D558,201 S * 12/2007 Park D14/375
D605,193 S * 12/2009 Andre D14/336
D747,717 S * 1/2016 Kim D14/336
D750,078 S * 2/2016 Kim D14/375

(Continued)

Primary Examiner — Freda S Nunn

(74) *Attorney, Agent, or Firm* — Terrile, Cannatti,
Chambers & Holland, LLP; Robert W. Holland

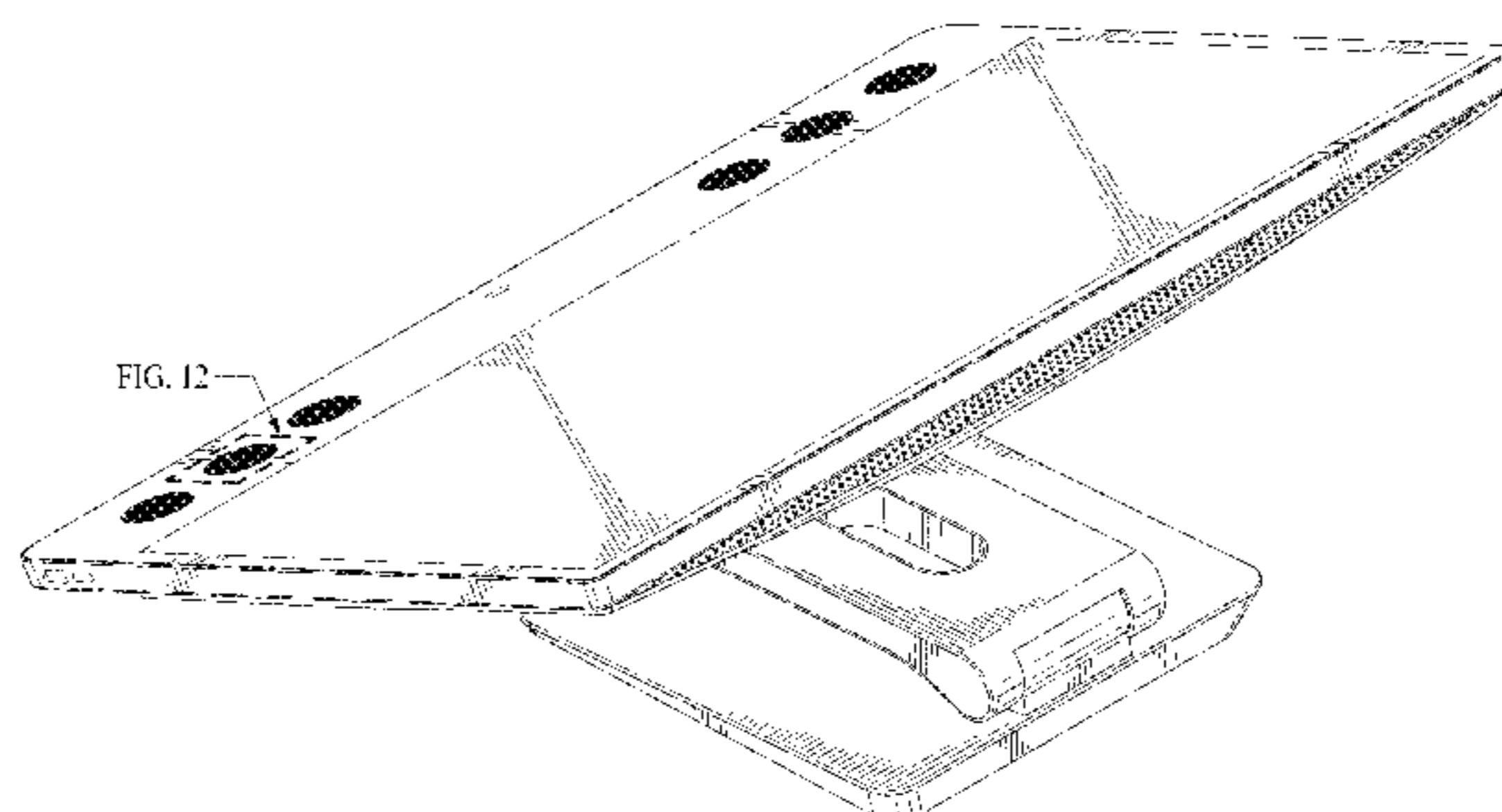
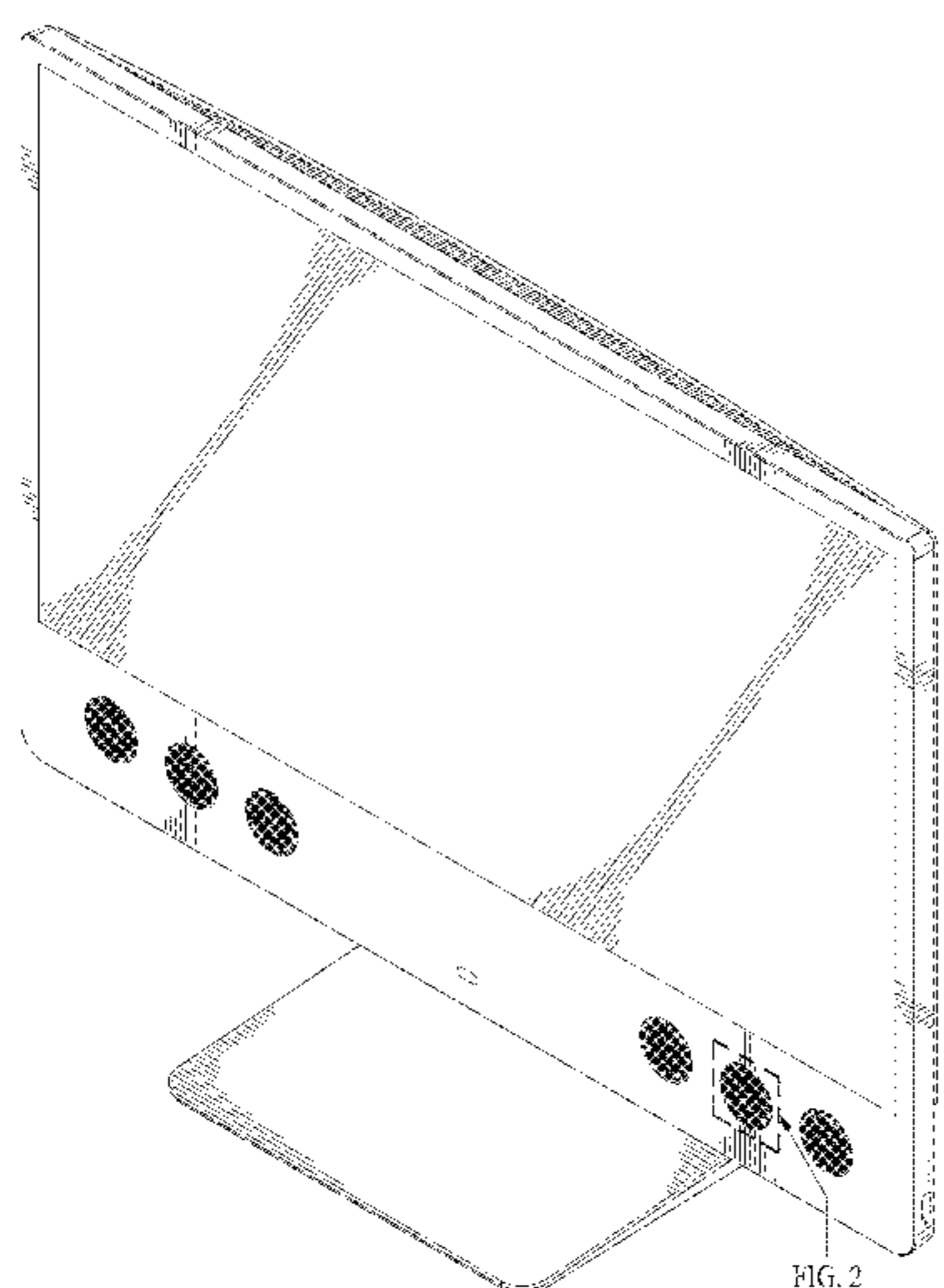
(57) **CLAIM**

The ornamental design for an information handling system monitor, as shown and described.

DESCRIPTION

FIG. 1 is a front perspective view of the information handling system monitor comprising the present invention; FIG. 2 is an enlarged perspective view of the speaker and surface thereof as indicated in FIG. 1; FIG. 3 is a front view thereof; FIG. 4 is an enlarged front view of the speaker and surface thereof as indicated in FIG. 3; FIG. 5 is a rear view of the monitor; FIG. 6 is a left side view thereof; FIG. 7 is a right side view thereof; FIG. 8 is a top view thereof; FIG. 9 is a bottom view thereof; FIG. 10 is a rear perspective view thereof; FIG. 11 is a rear perspective view of the monitor thereof in a folded configuration; FIG. 12 is an enlarged perspective view of the speaker and surface thereof as indicated in FIG. 11; and, FIG. 13 is a side view of the monitor thereof in a folded configuration.
Broken lines shown in the drawings illustrate portions of the information handling system monitor, and form no part of the claimed design.

1 Claim, 13 Drawing Sheets



(56)

References Cited

U.S. PATENT DOCUMENTS

2006/0076463 A1* 4/2006 Drew F16M 11/041
248/121

* cited by examiner

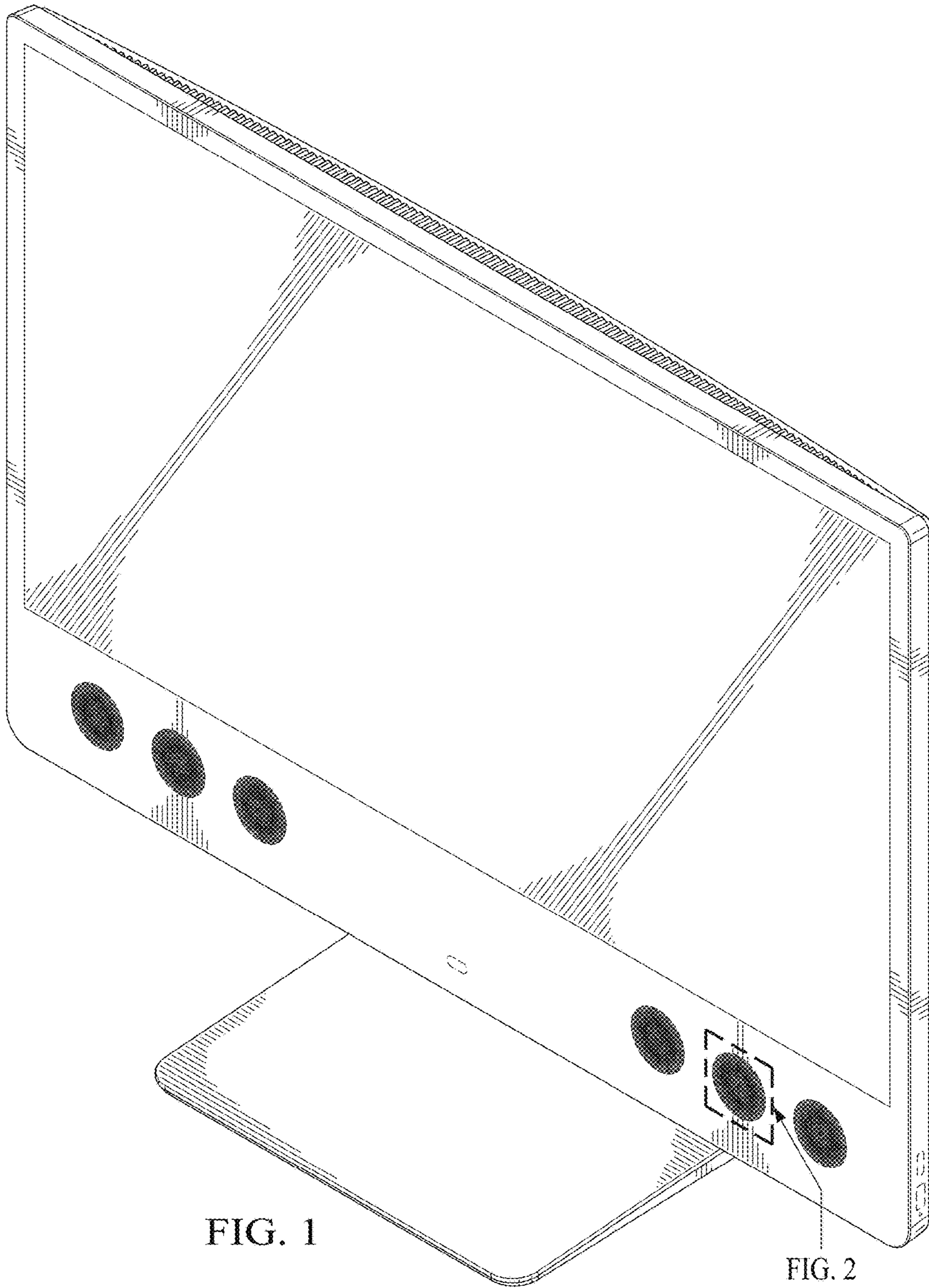


FIG. 1

FIG. 2

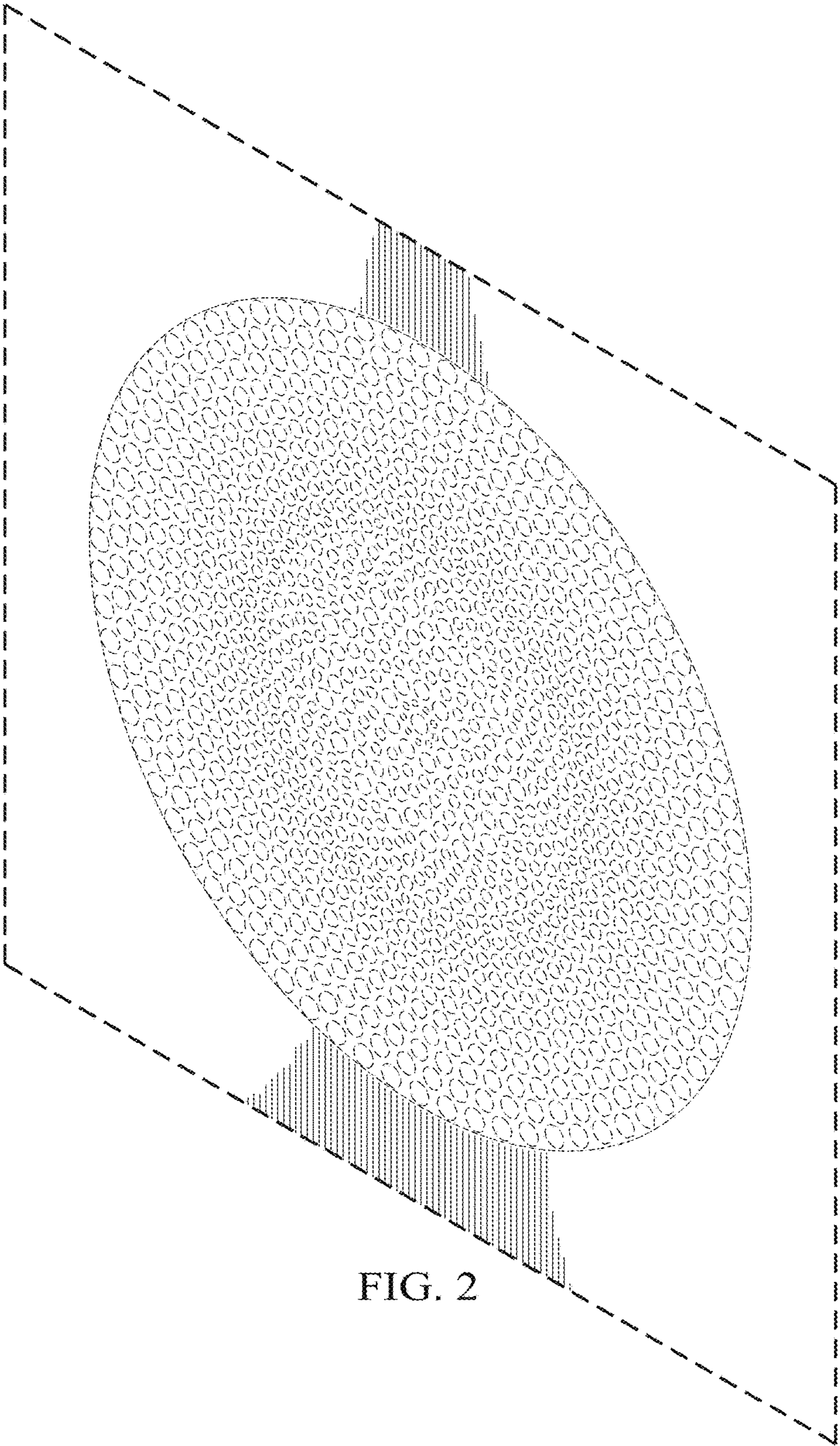
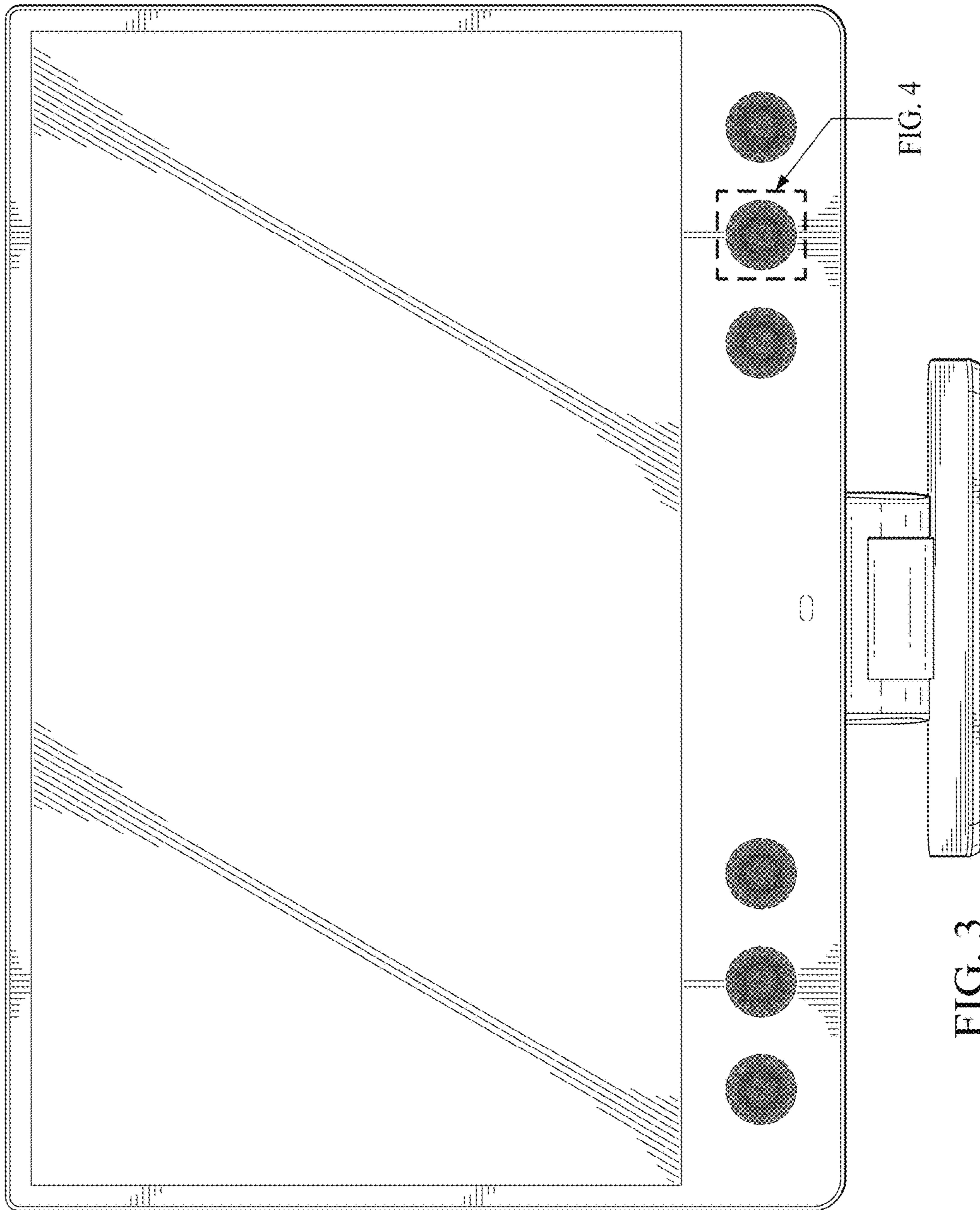


FIG. 2



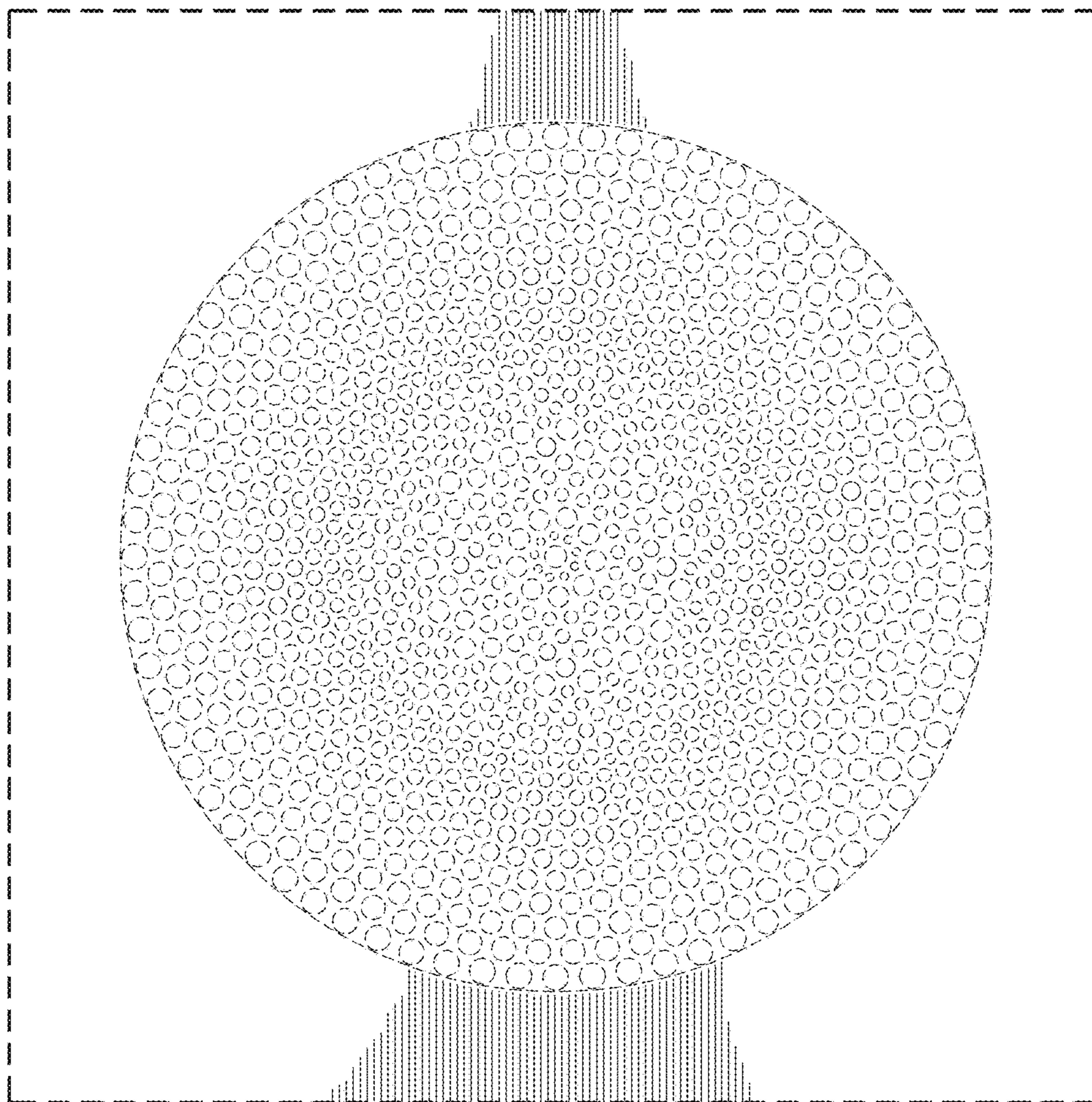
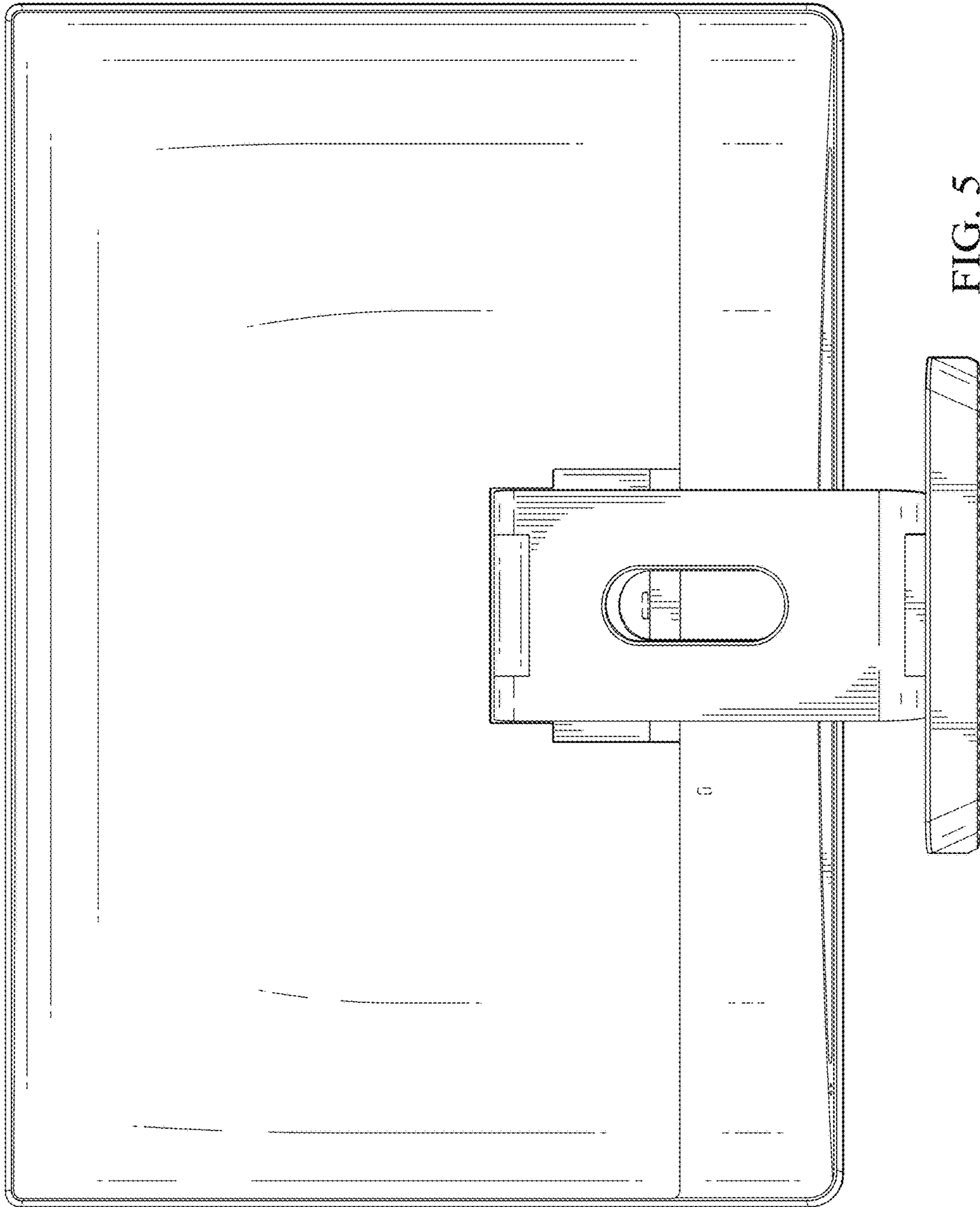


FIG. 4



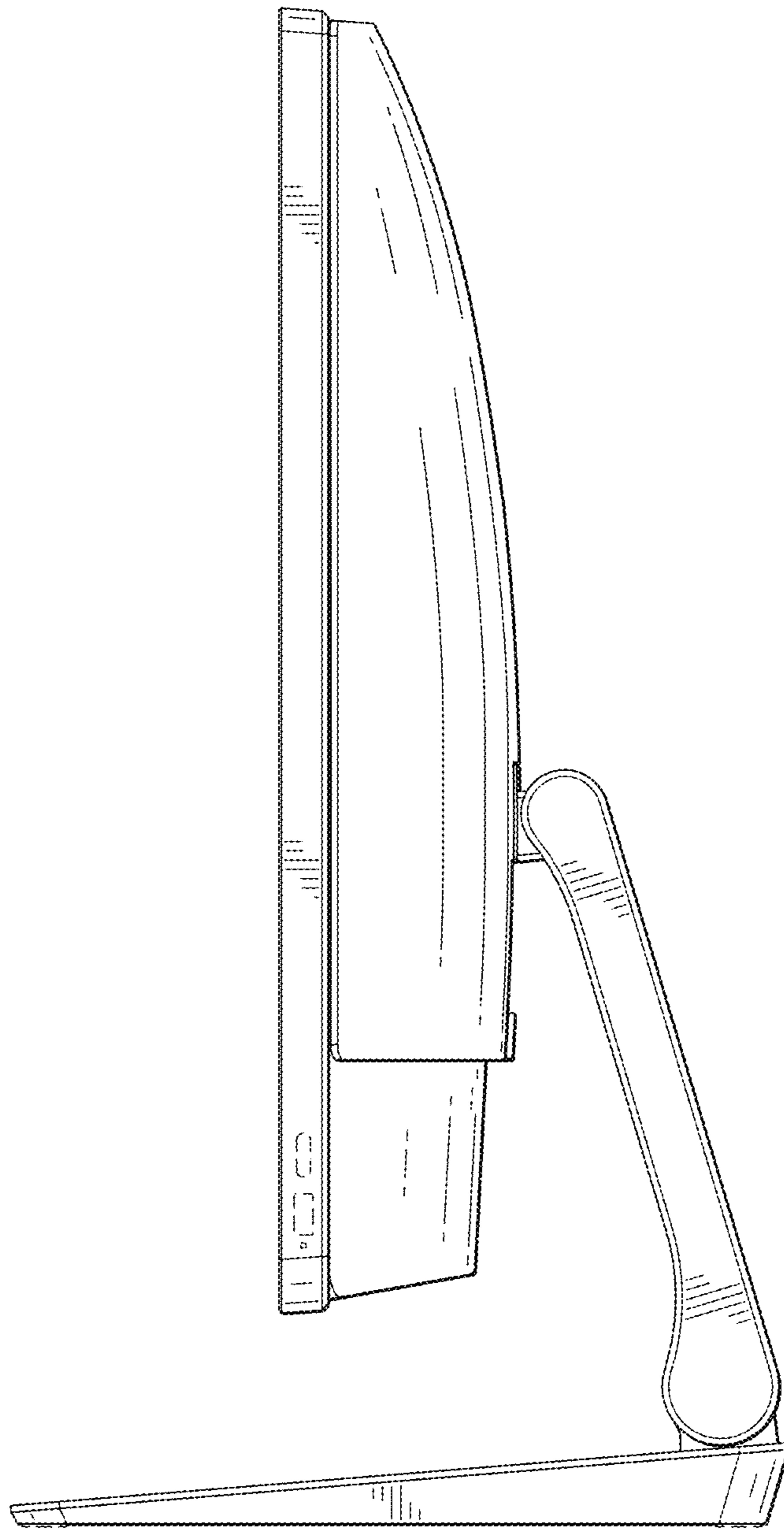


FIG. 6

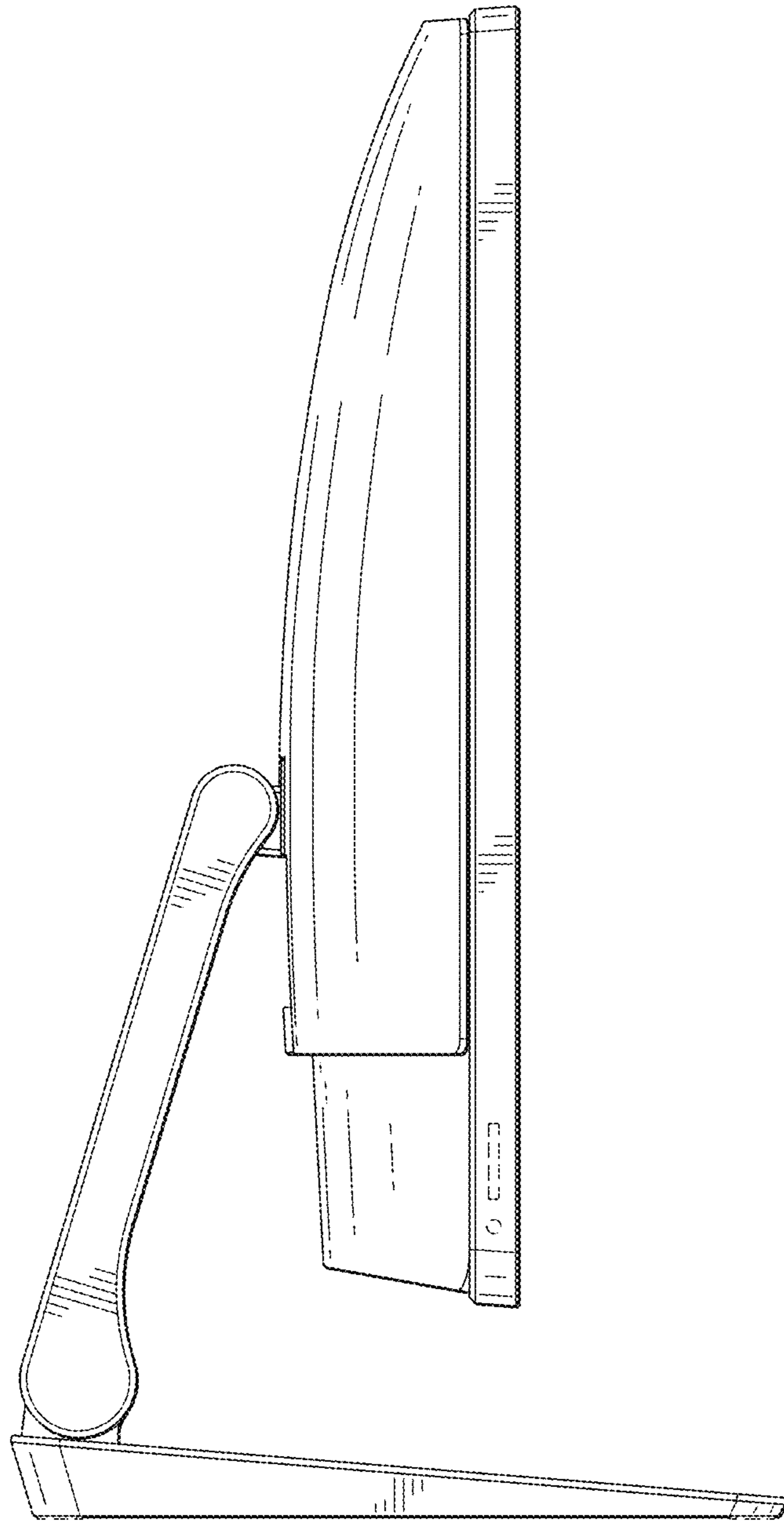


FIG. 7

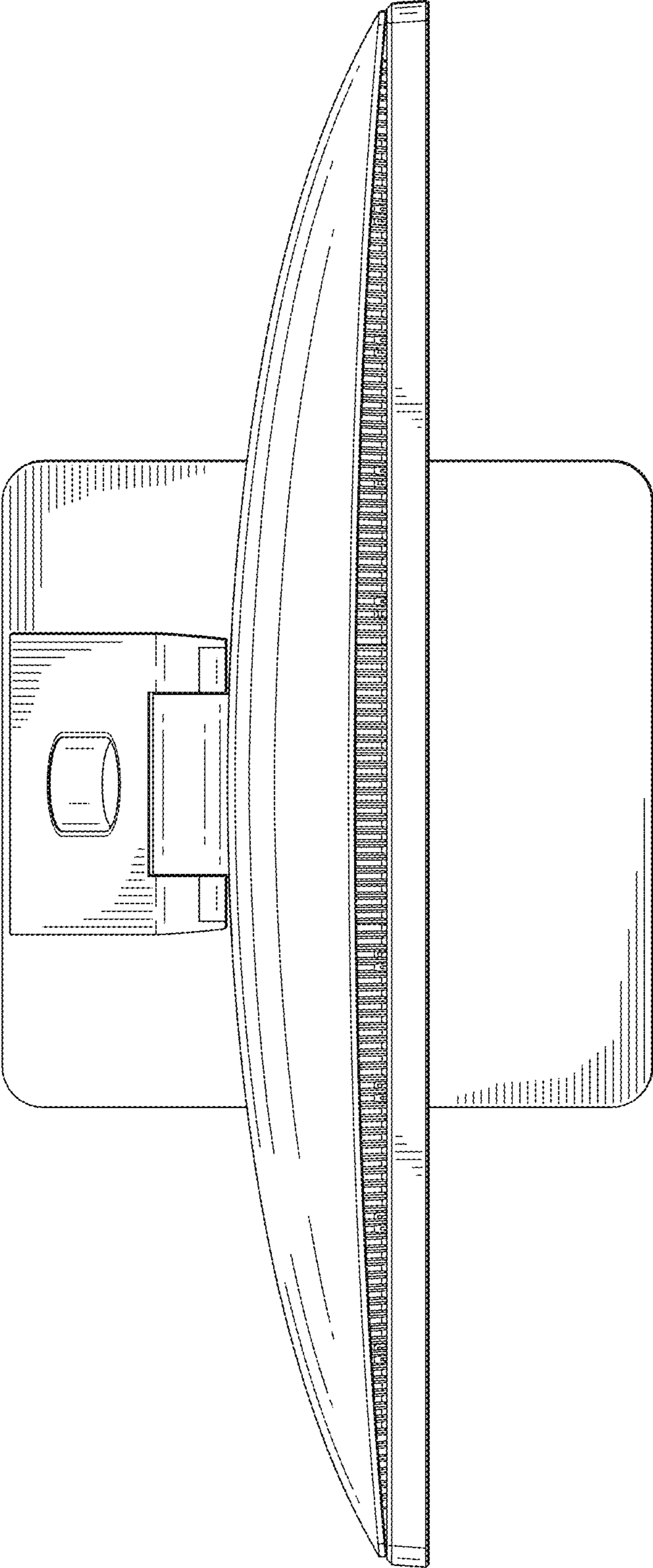


FIG. 8

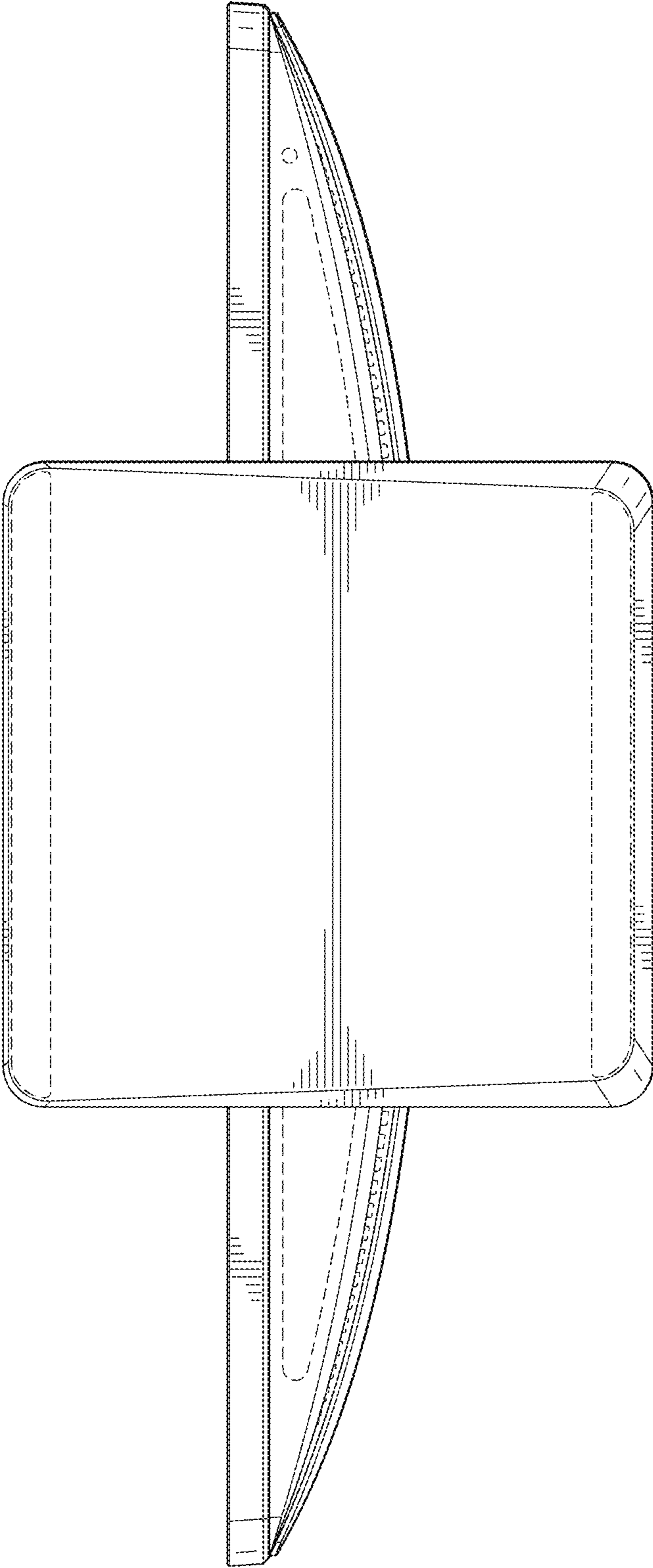


FIG. 9

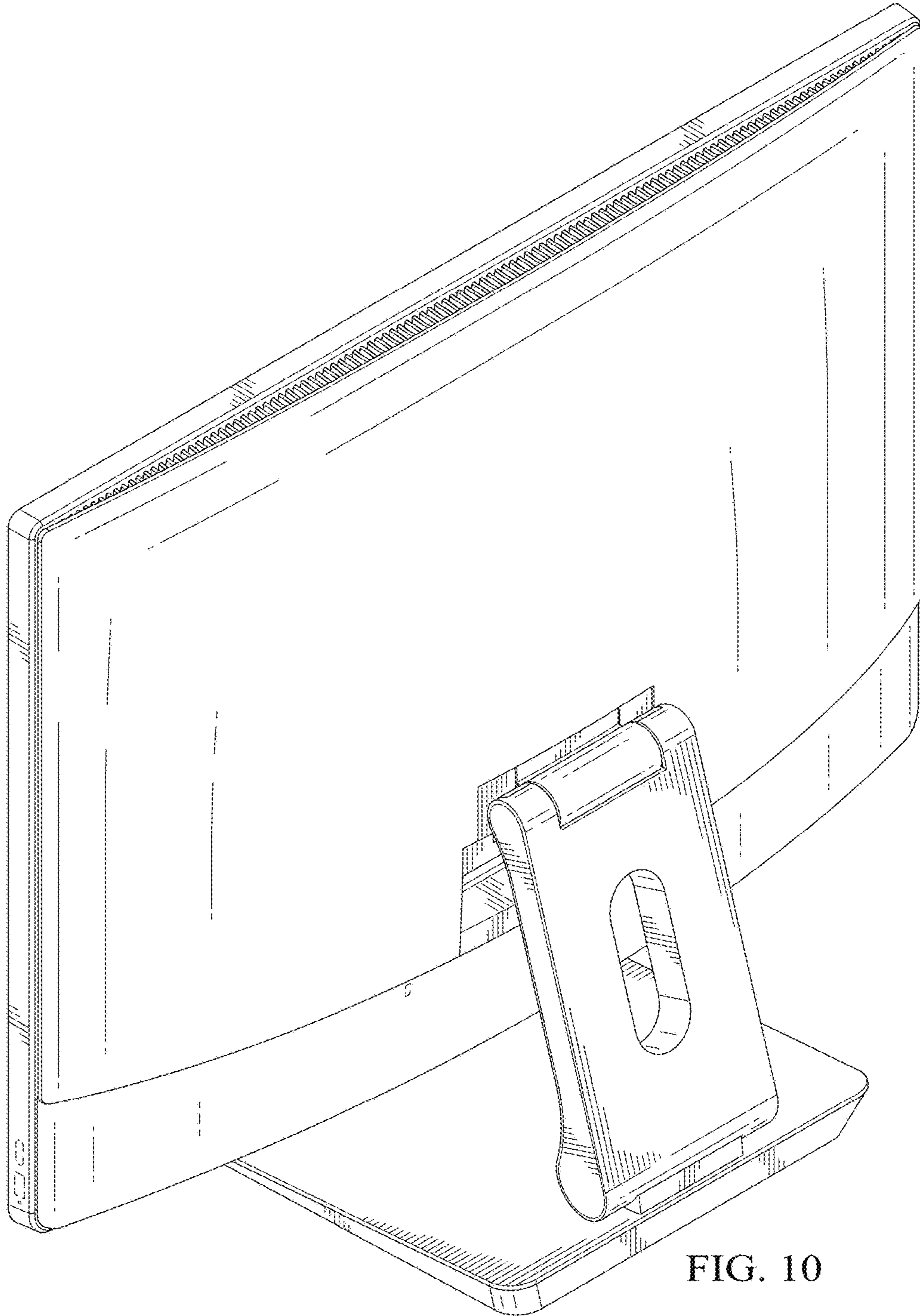


FIG. 10

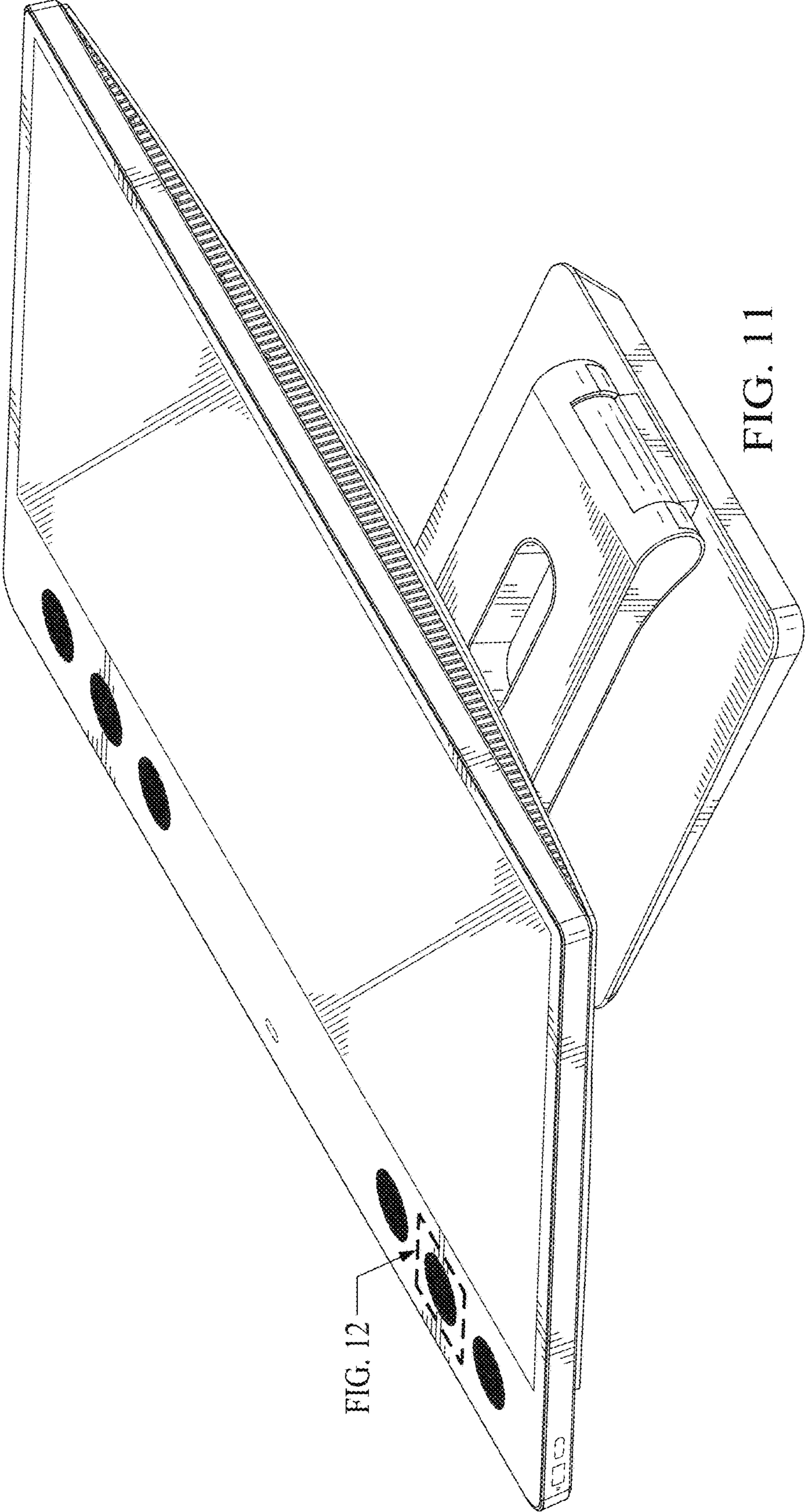


FIG. 12

FIG. 11

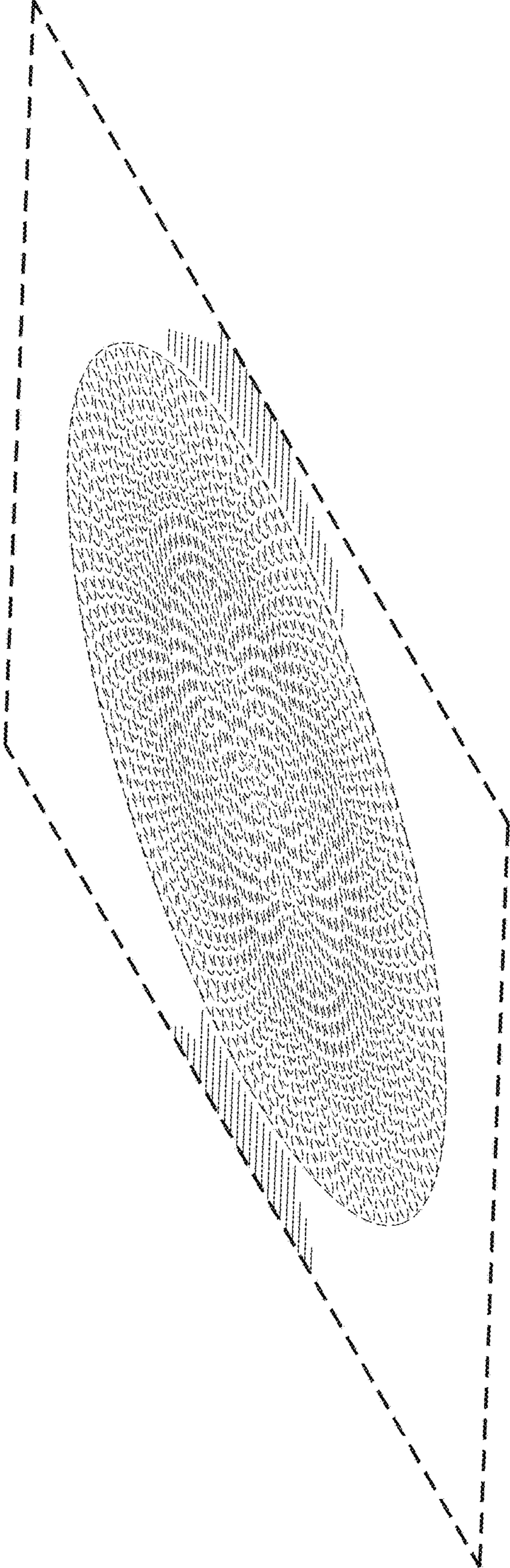


FIG. 12

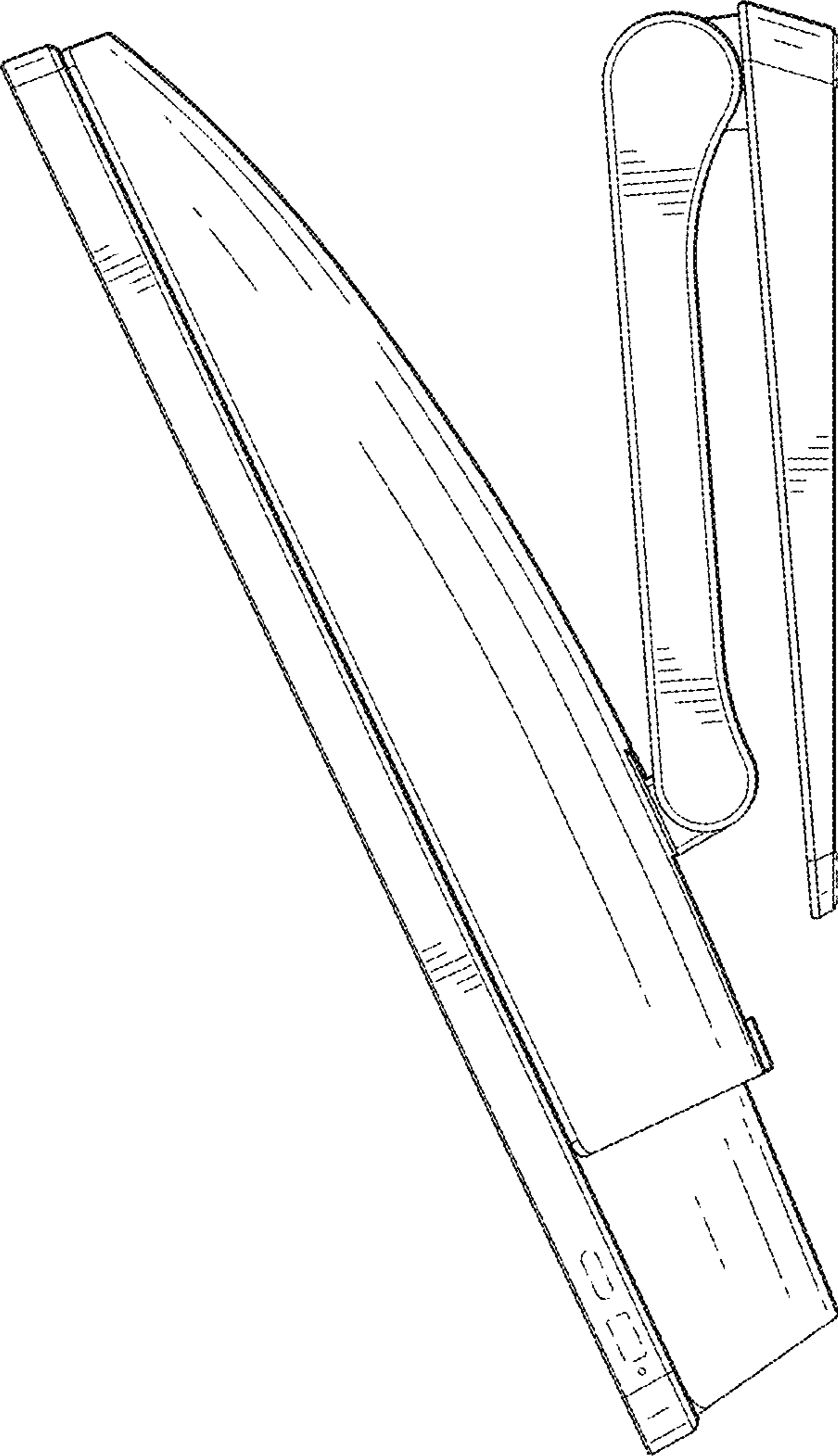


FIG. 13