



US00D804475S

(12) **United States Design Patent**
Seki

(10) **Patent No.:** **US D804,475 S**

(45) **Date of Patent:** **** Dec. 5, 2017**

(54) **IMAGE DISPLAY DEVICE**

(71) Applicant: **BROTHER INDUSTRIES, LTD.**,
Nagoya-shi, Aichi-ken (JP)

(72) Inventor: **Yusaku Seki**, Nagoya (JP)

(73) Assignee: **BROTHER INDUSTRIES, LTD.**,
Nagoya (JP)

(**) Term: **15 Years**

(21) Appl. No.: **29/589,264**

(22) Filed: **Dec. 29, 2016**

(30) **Foreign Application Priority Data**

Jul. 22, 2016 (JP) 2016-015627

(51) **LOC (10) Cl.** **14-02**

(52) **U.S. Cl.**
USPC **D14/372**

(58) **Field of Classification Search**

USPC D14/372, 496, 432, 371, 125, 126, 129,
D14/299; D16/300-342; 351/158, 153,
351/144; 345/7-9, 905; 455/344;
348/115, 53, 121, 739

CPC G02B 27/017; G02B 27/0158; G02B
27/0161; G02B 27/0181; G02B 27/0185;
G02B 27/0189

See application file for complete search history.

(56) **References Cited**

U.S. PATENT DOCUMENTS

D740,284 S * 10/2015 Maeda D14/372
D741,321 S * 10/2015 Iida D14/372

D762,643 S * 8/2016 Cazalet D14/372
D763,258 S * 8/2016 Cazalet D14/372
D765,486 S * 9/2016 Evans D8/93
D778,907 S * 2/2017 Maeda D14/372
D778,908 S * 2/2017 Mase D14/372
D791,124 S * 7/2017 Seki D14/372
D793,468 S * 8/2017 Yu D16/309

* cited by examiner

Primary Examiner — Austin Murphy

(74) *Attorney, Agent, or Firm* — Oliff PLC

(57) **CLAIM**

The ornamental design for an image display device, as shown and described.

DESCRIPTION

FIG. 1 is a right-side perspective view of an image display device;

FIG. 2 is a front view thereof;

FIG. 3 is a top view thereof;

FIG. 4 is a right-side view thereof;

FIG. 5 is a left-side view thereof;

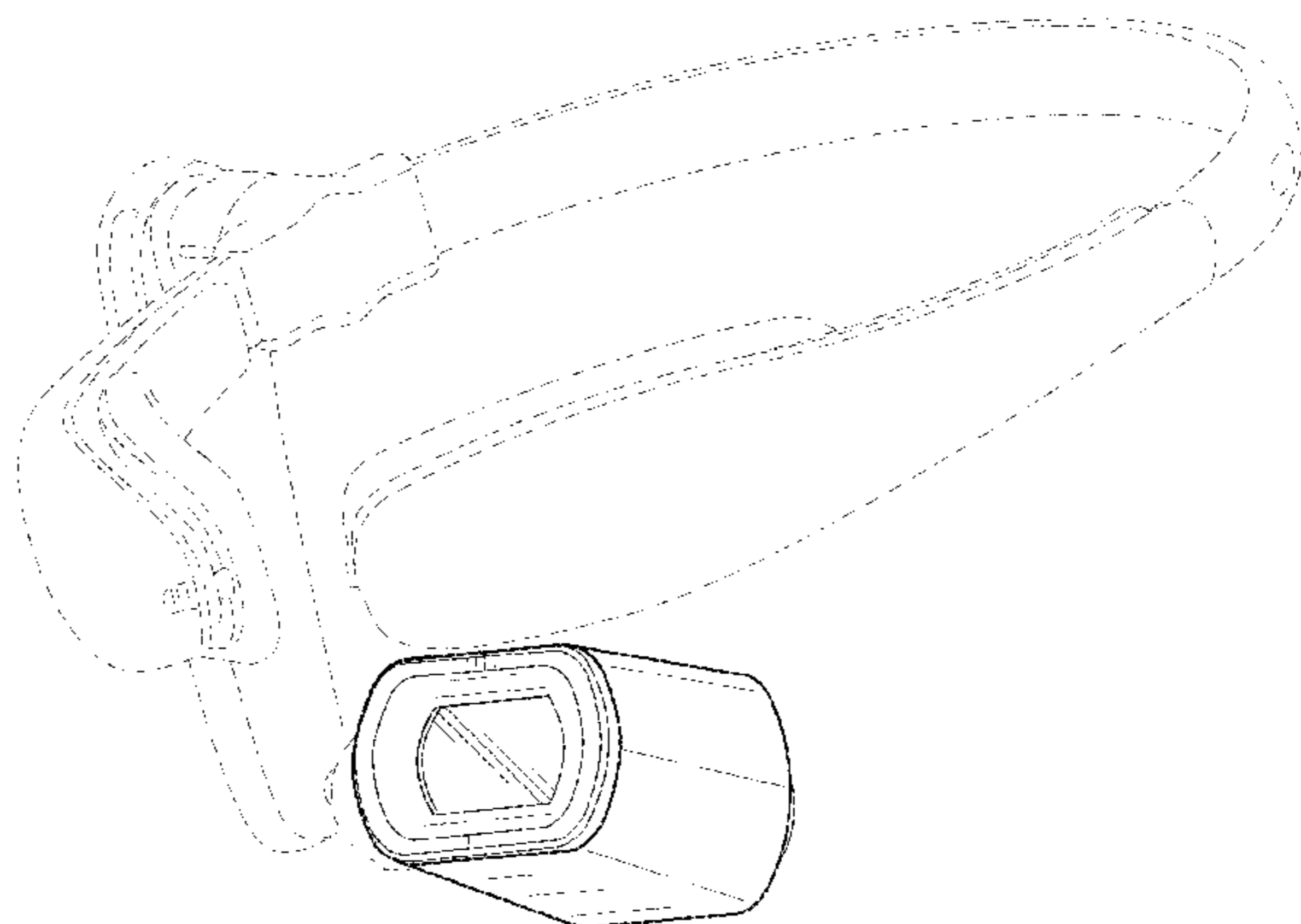
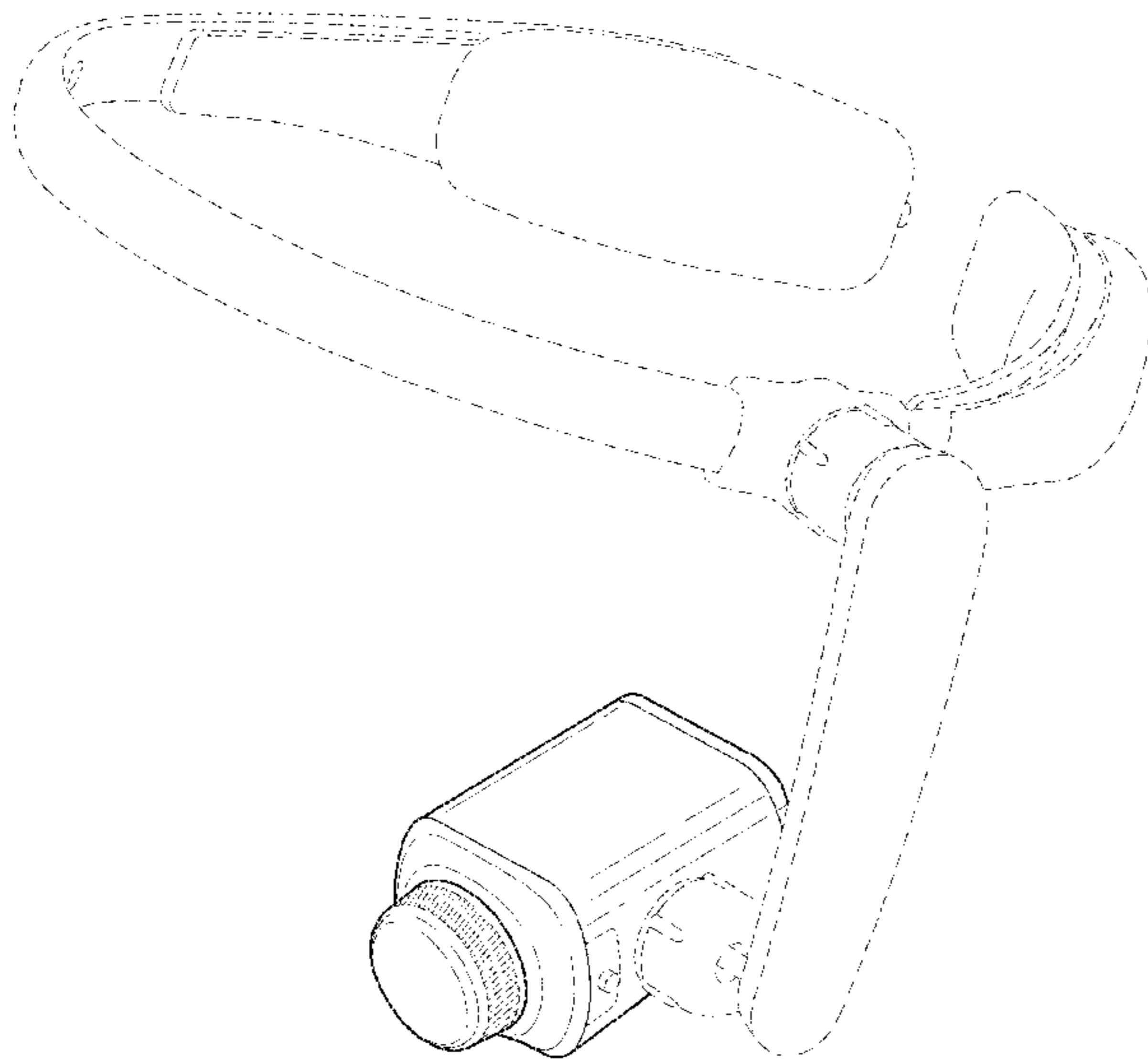
FIG. 6 is a rear view thereof;

FIG. 7 is a bottom view thereof; and,

FIG. 8 is a left-side perspective view thereof.

The broken lines depict unclaimed portions of the image display device and form no part of the claimed design.

1 Claim, 7 Drawing Sheets



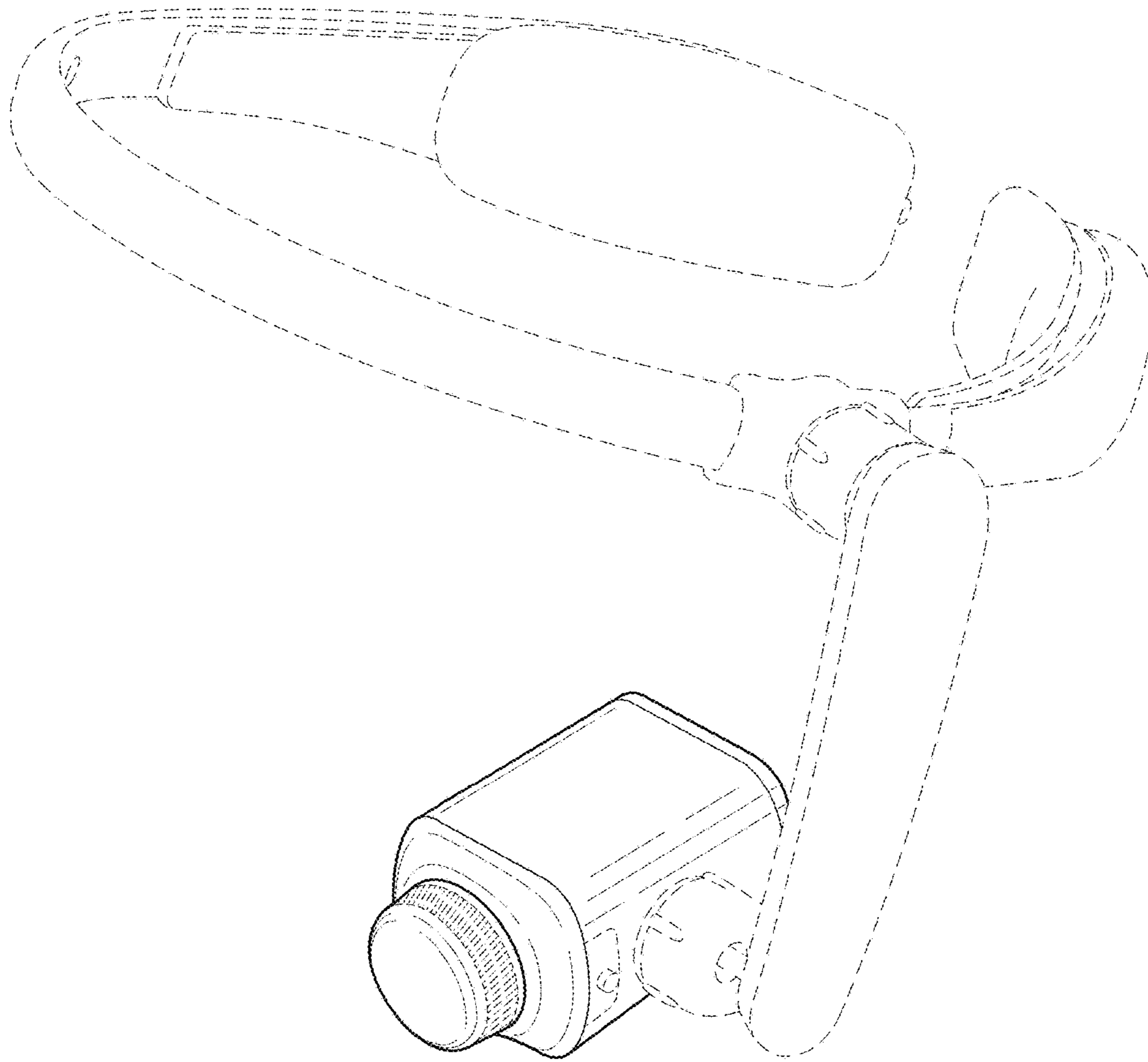


FIG. 1

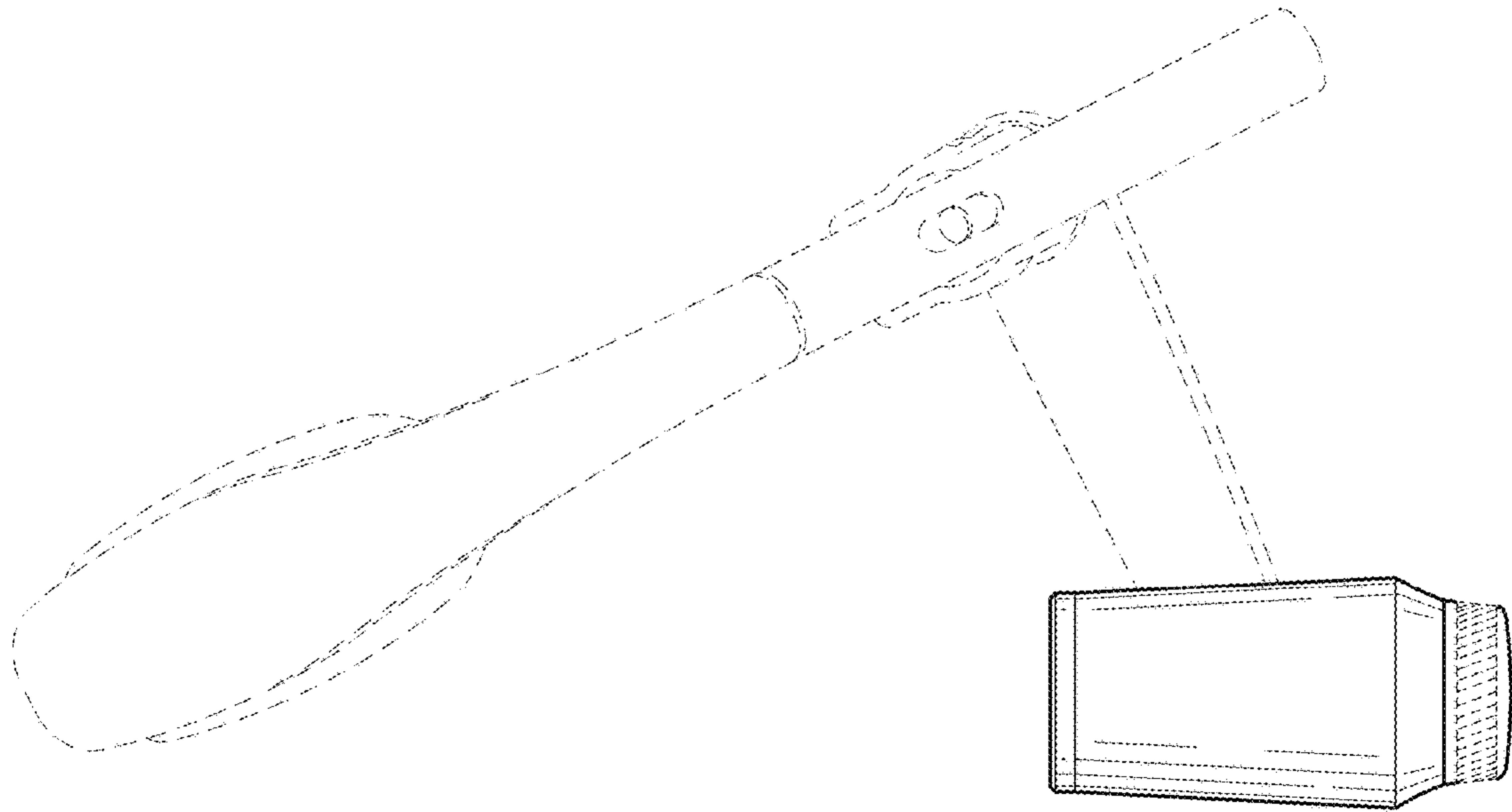


FIG. 2

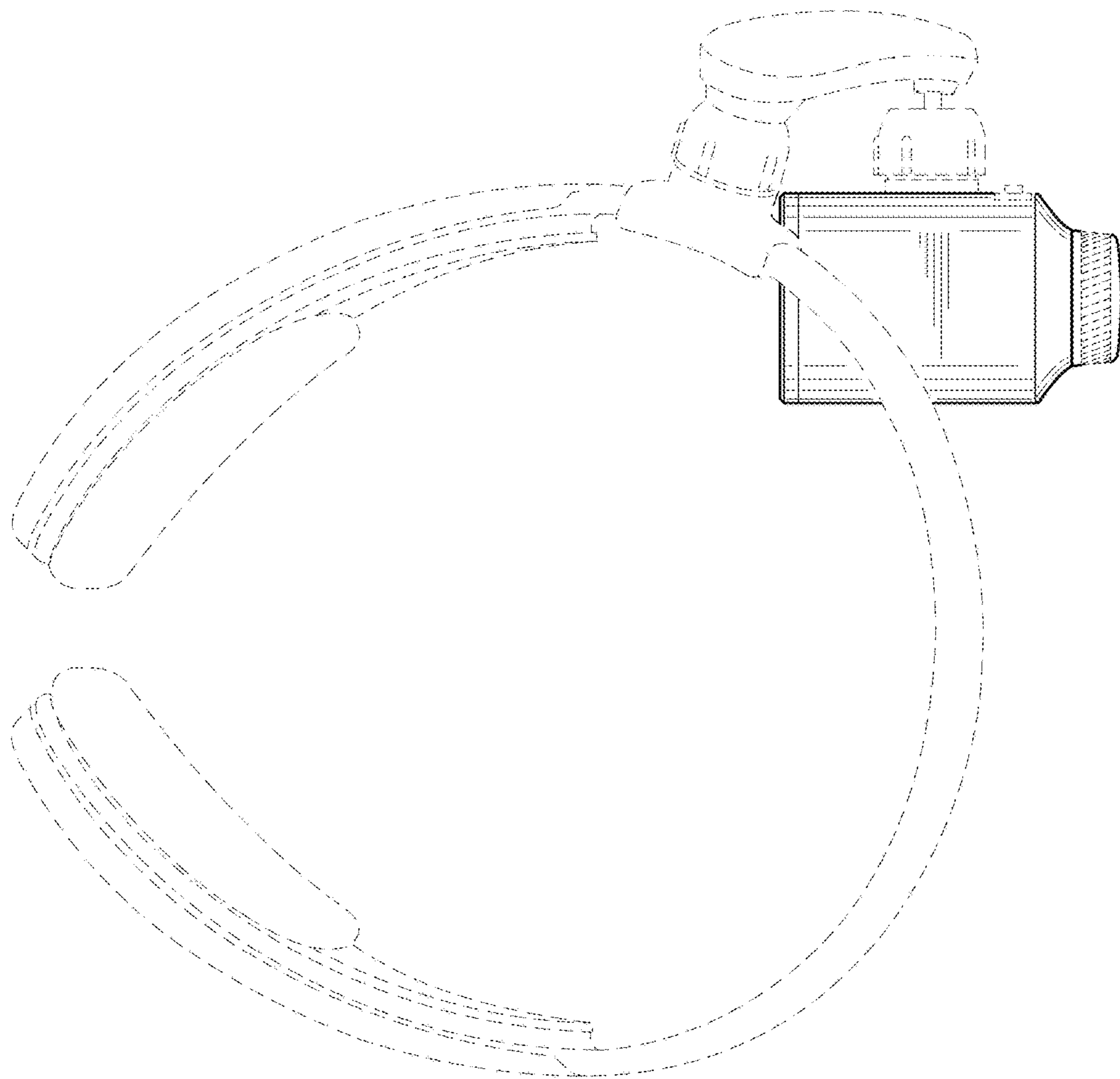


FIG. 3

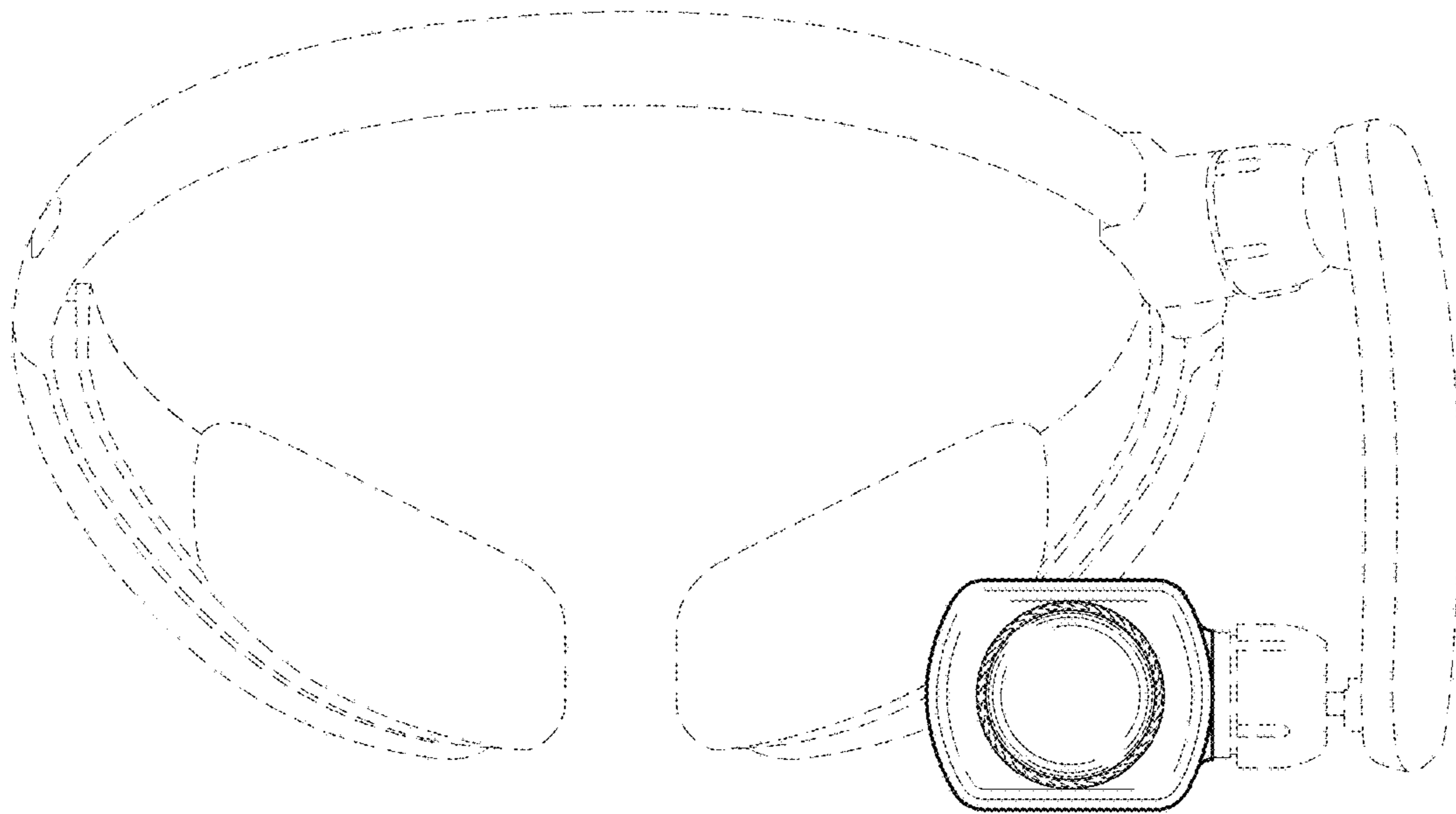


FIG. 4

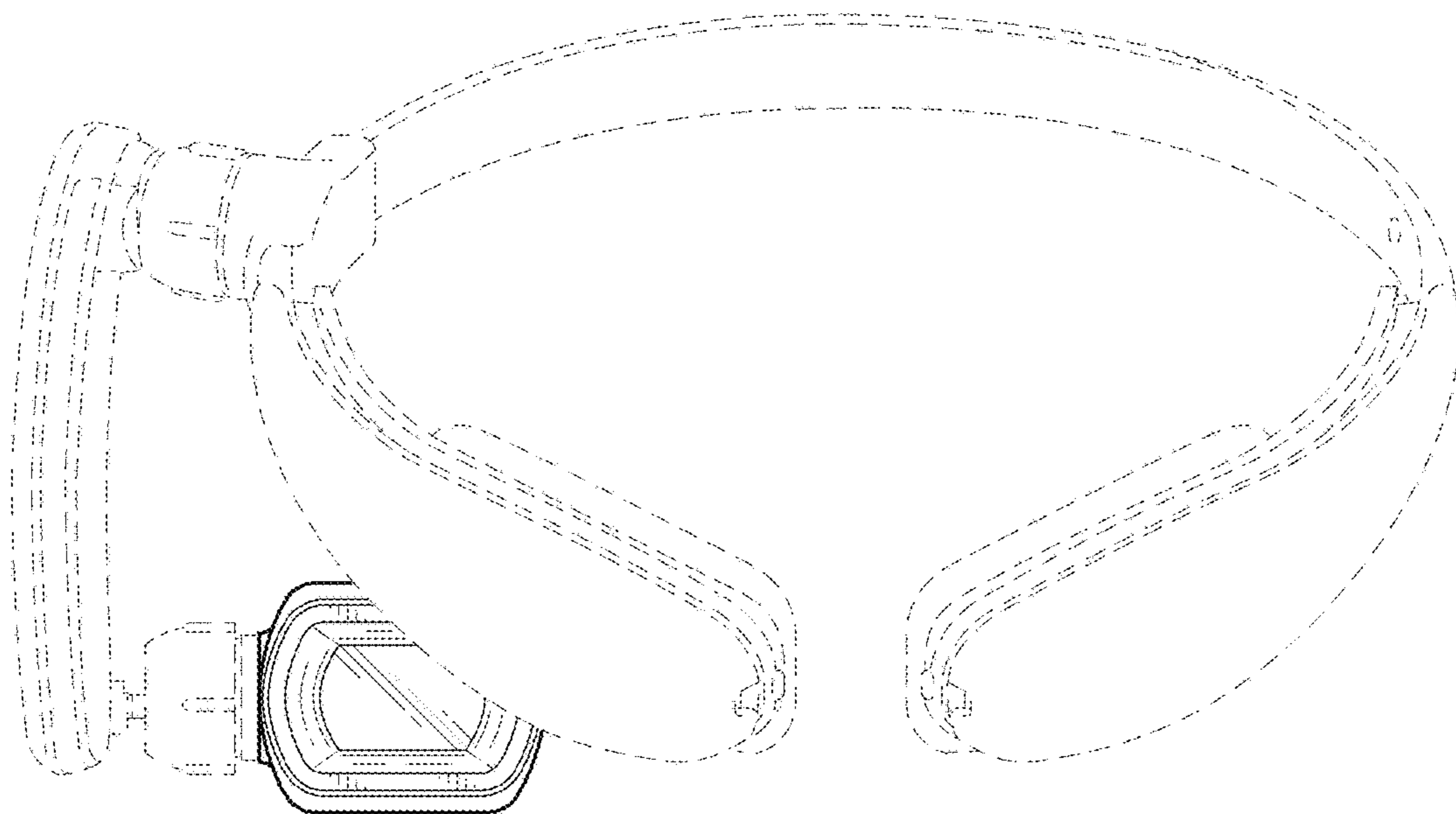


FIG. 5

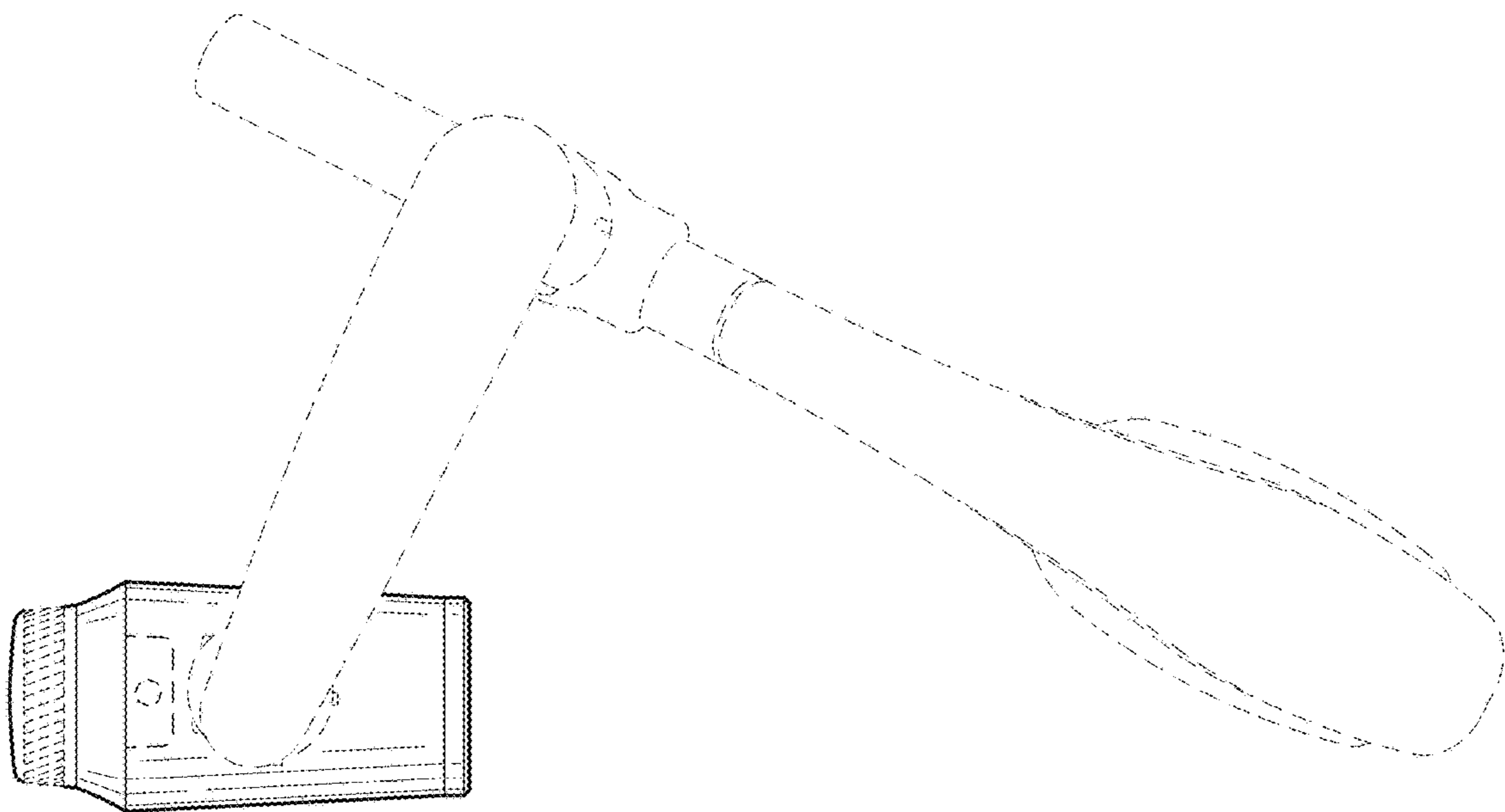


FIG. 6

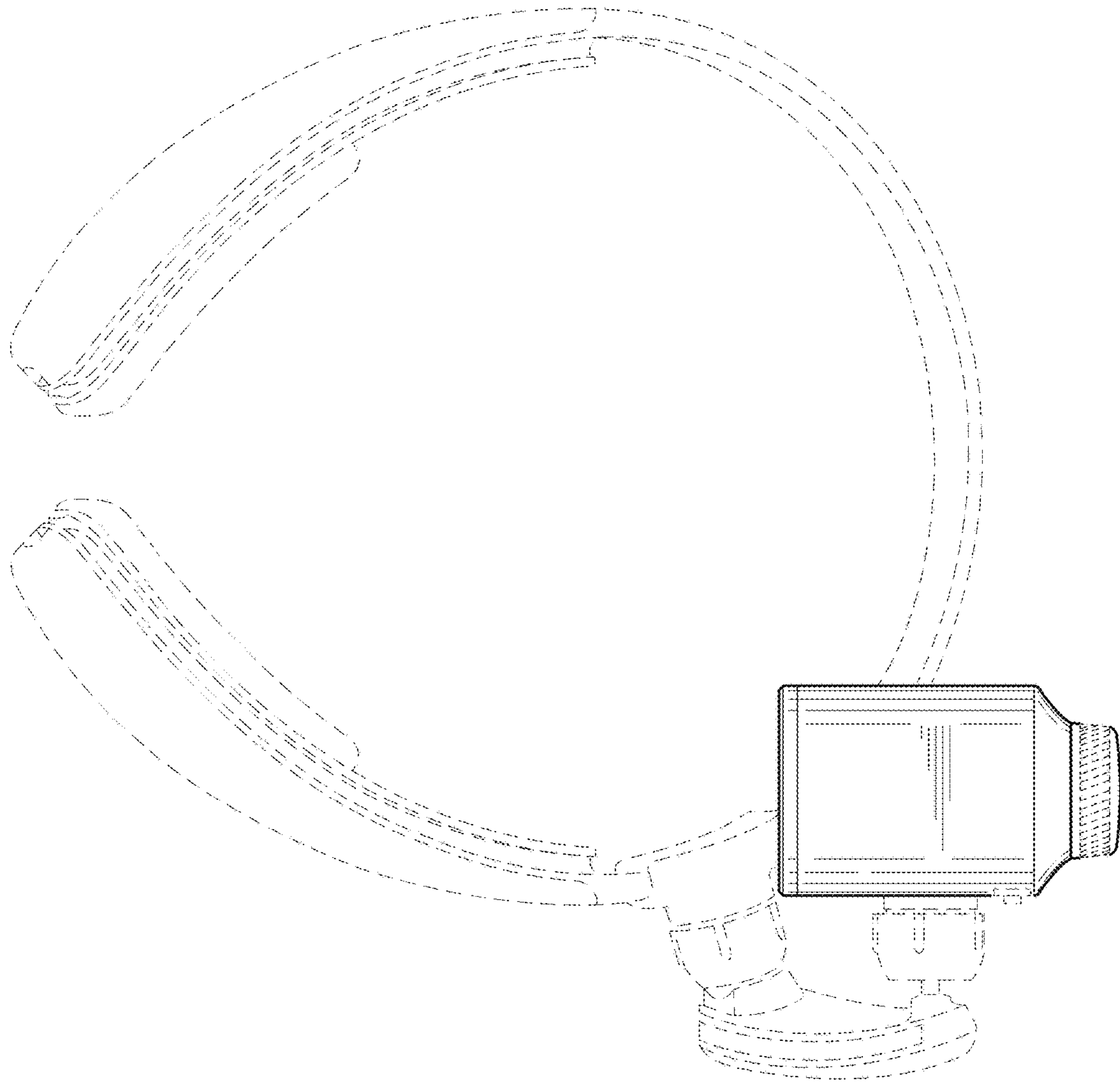


FIG. 7

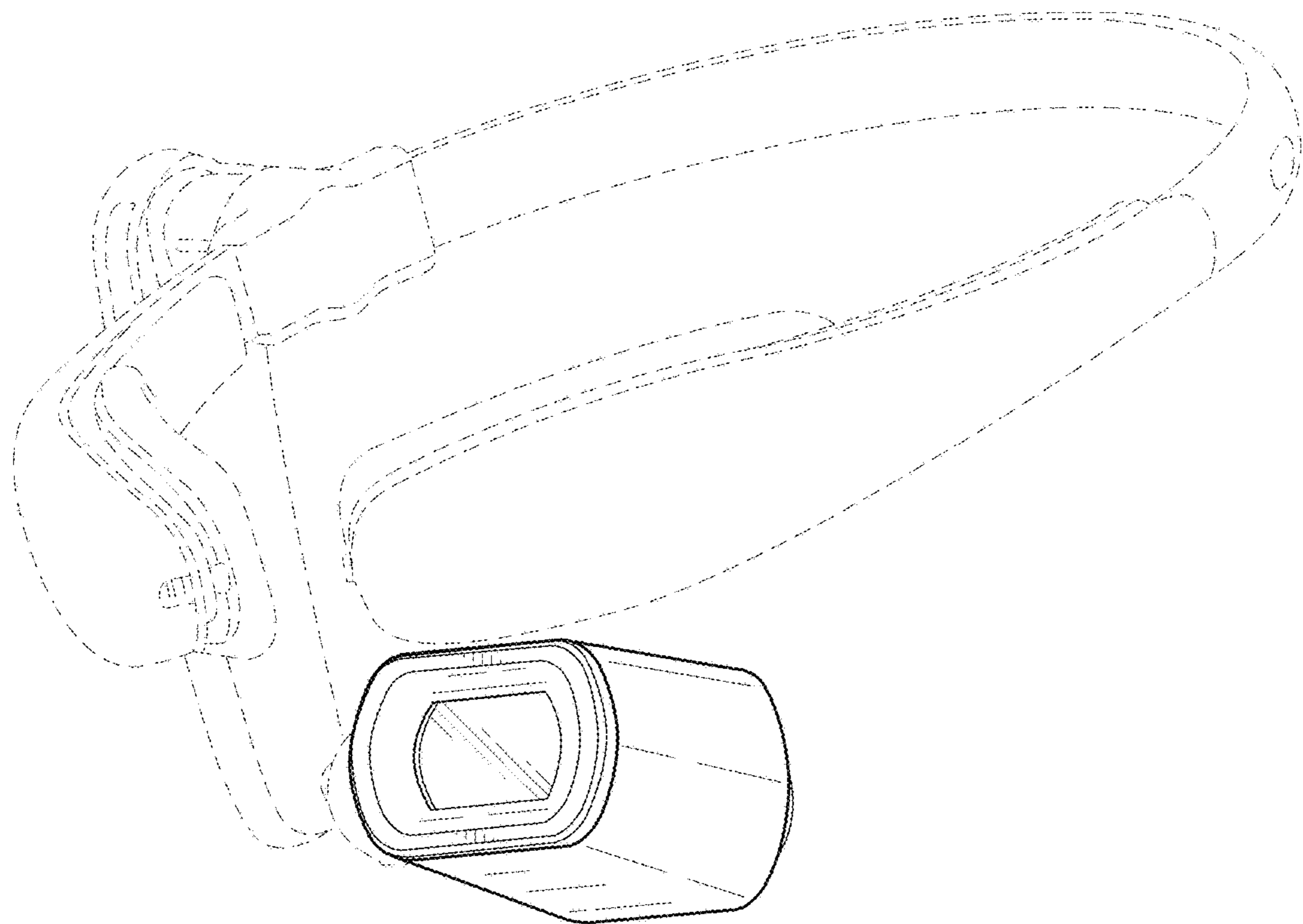


FIG. 8