



US00D804473S

(12) **United States Design Patent** (10) **Patent No.:** **US D804,473 S**
Moon (45) **Date of Patent:** **** Dec. 5, 2017**

(54) **MONITOR FOR VEHICLE**
(71) Applicant: **JSLCD CO., LTD.**, Seoul (KR)
(72) Inventor: **Jong Sub Moon**, Seoul (KR)
(73) Assignee: **JSLCD CO., LTD.**, Seoul (KR)
(**) Term: **15 Years**
(21) Appl. No.: **29/566,009**
(22) Filed: **May 26, 2016**

5,950,340 A * 9/1999 Woo G09F 13/04
362/235
D460,985 S * 7/2002 Horvath D20/10
D614,896 S * 5/2010 Stifal D6/513
D616,030 S * 5/2010 Mallard D12/101
D639,340 S * 6/2011 Martin D20/10
D656,195 S * 3/2012 Renard D20/10
D740,472 S * 10/2015 Linton D26/31
D763,357 S * 8/2016 Tsuru D20/42
D786,244 S * 5/2017 Mohideen D14/371
2014/0208626 A1* 7/2014 Moon G09F 9/30
40/729
2017/0238430 A1* 8/2017 Moon H05K 5/0017
361/679.01

(30) **Foreign Application Priority Data**
Nov. 27, 2015 (KR) 30-2015-0060221
(51) **LOC (10) Cl.** **14-02**
(52) **U.S. Cl.**
USPC **D14/371**
(58) **Field of Classification Search**
USPC D12/415, 416, 417, 418, 419, 420;
D20/10, 19, 35, 42; D26/31; D14/371;
D6/513
CPC .. H05K 5/0017; H05K 5/0204; H05K 5/0004;
G09F 9/30; G09F 13/02; G09F 13/04
See application file for complete search history.

* cited by examiner
Primary Examiner — Karen S Acker
Assistant Examiner — Jerry Shiuan-Hua Hsu
(74) *Attorney, Agent, or Firm* — Cantor Colburn LLP

(56) **References Cited**
U.S. PATENT DOCUMENTS
4,075,775 A * 2/1978 Shorette G09F 13/04
362/150
4,561,203 A * 12/1985 MacDonald, Jr. G09F 13/02
40/558

(57) **CLAIM**
The ornamental design for a monitor for vehicle, as shown and described.

DESCRIPTION
FIG. 1 is a front side perspective view of a monitor for vehicle showing my new design;
FIG. 2 is a rear side perspective view thereof;
FIG. 3 is a front elevational view thereof;
FIG. 4 is a rear elevational view thereof;
FIG. 5 is a left side elevational view thereof;
FIG. 6 is a right side elevational view thereof;
FIG. 7 is a top plan view thereof; and,
FIG. 8 is a bottom plan view thereof.

1 Claim, 8 Drawing Sheets

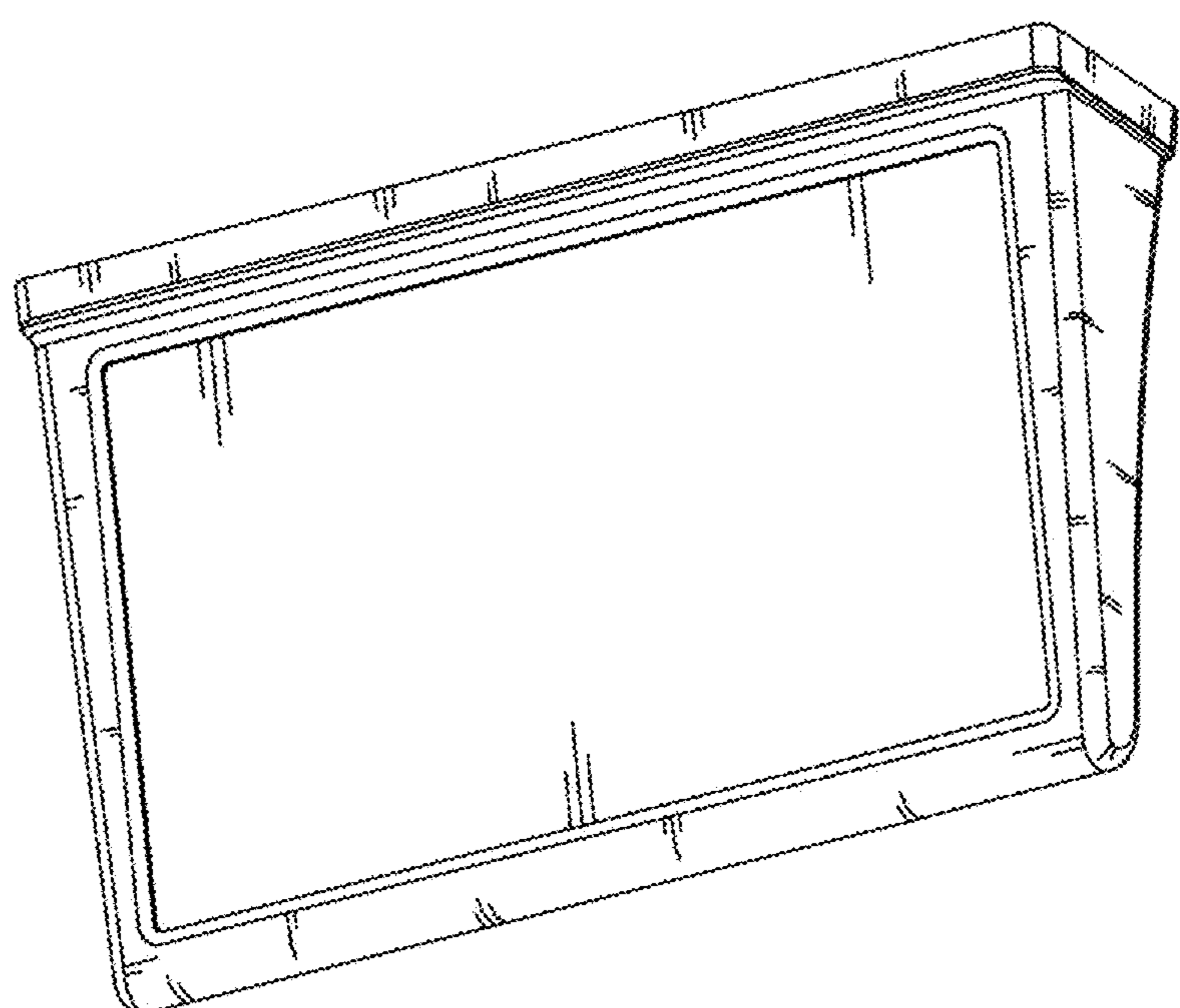


FIG. 1

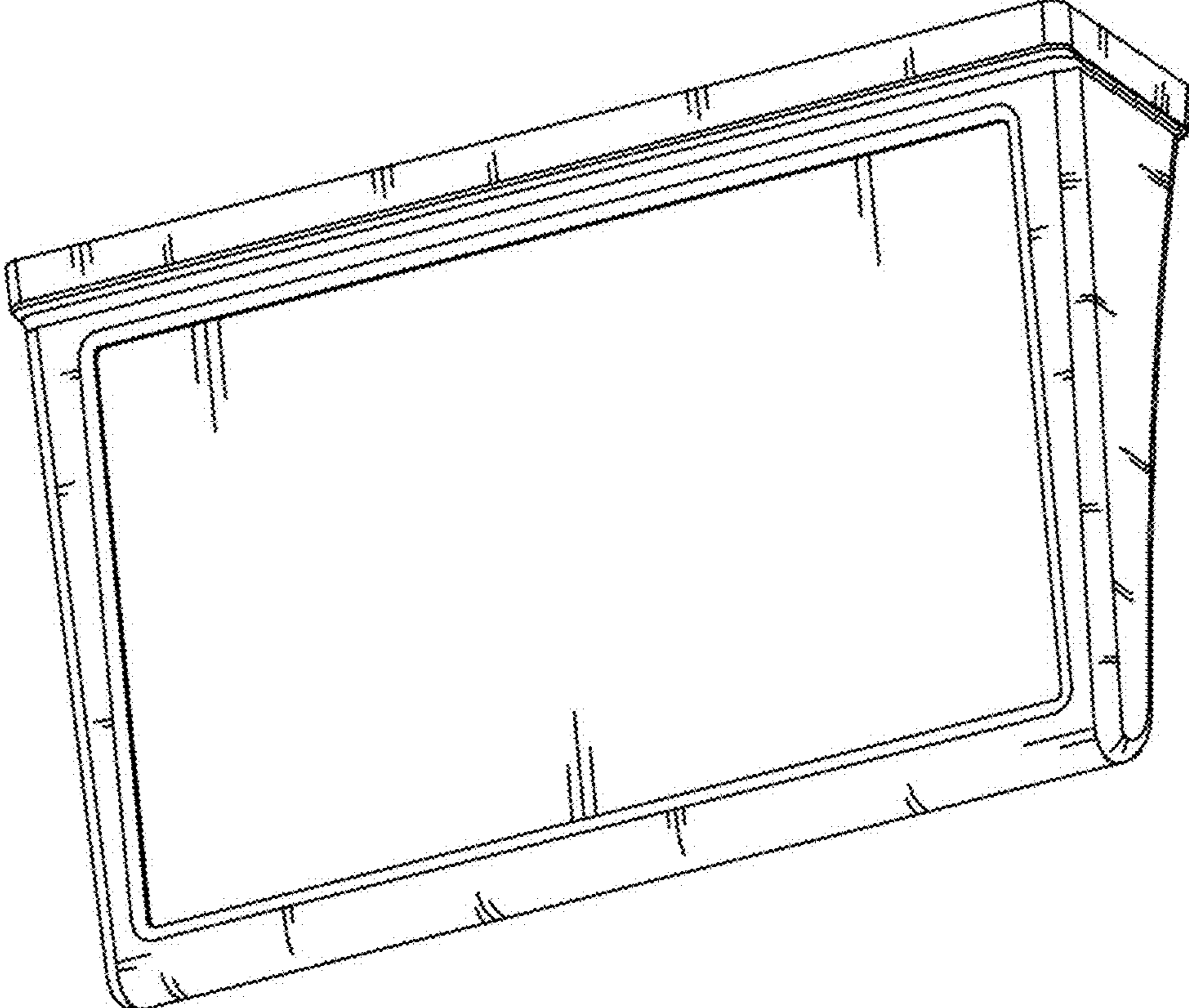


FIG. 2

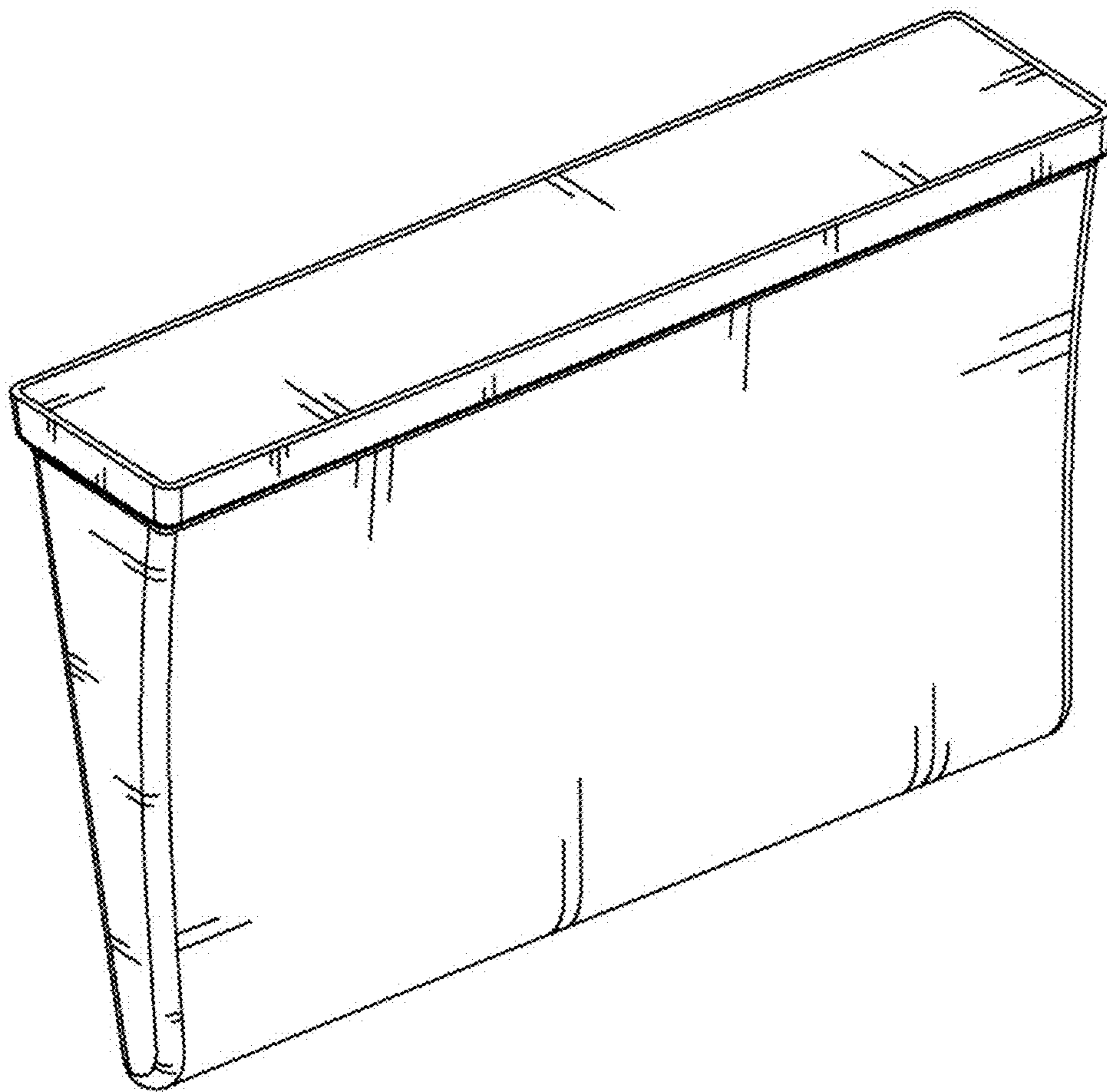


FIG. 3

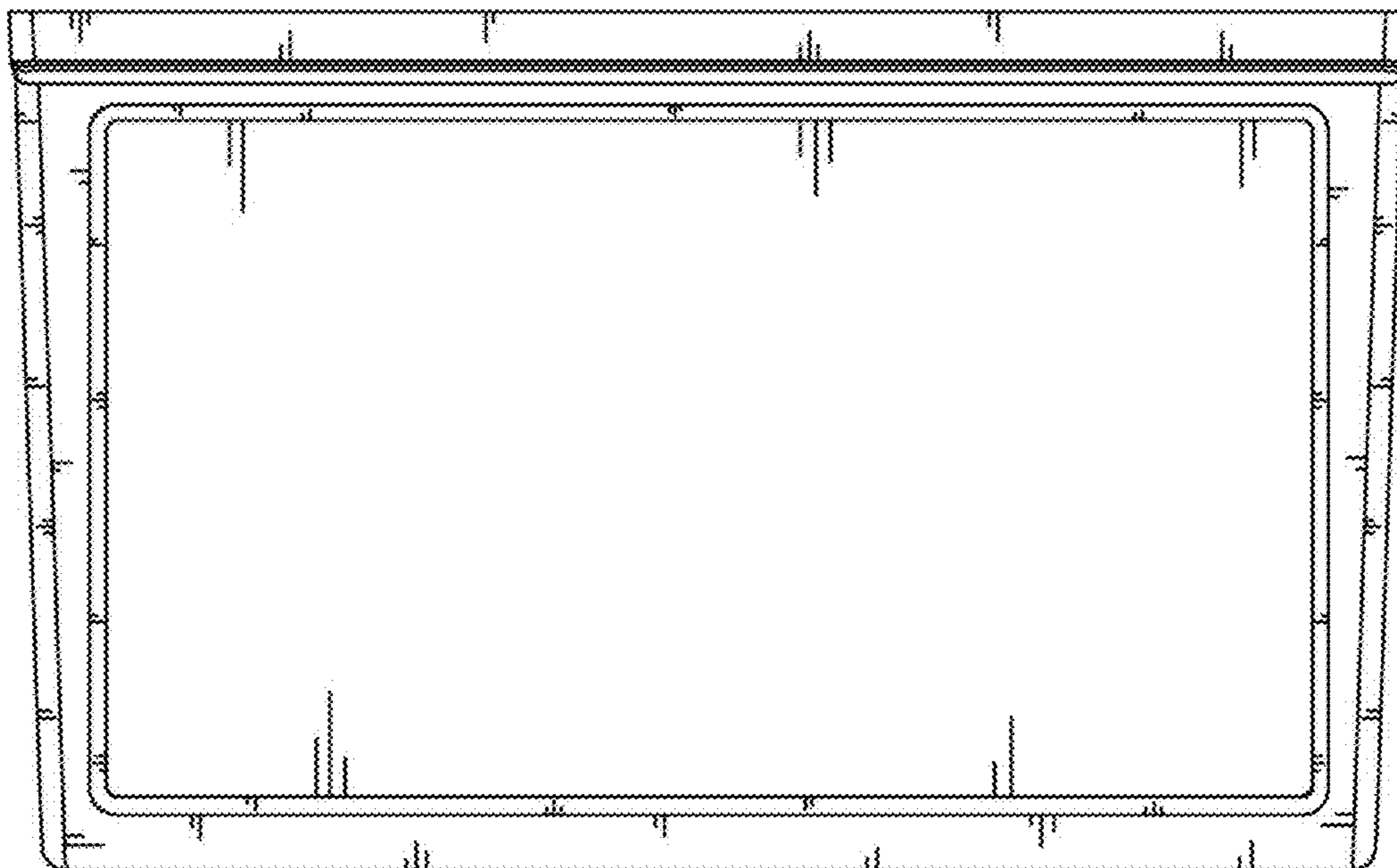


FIG. 4

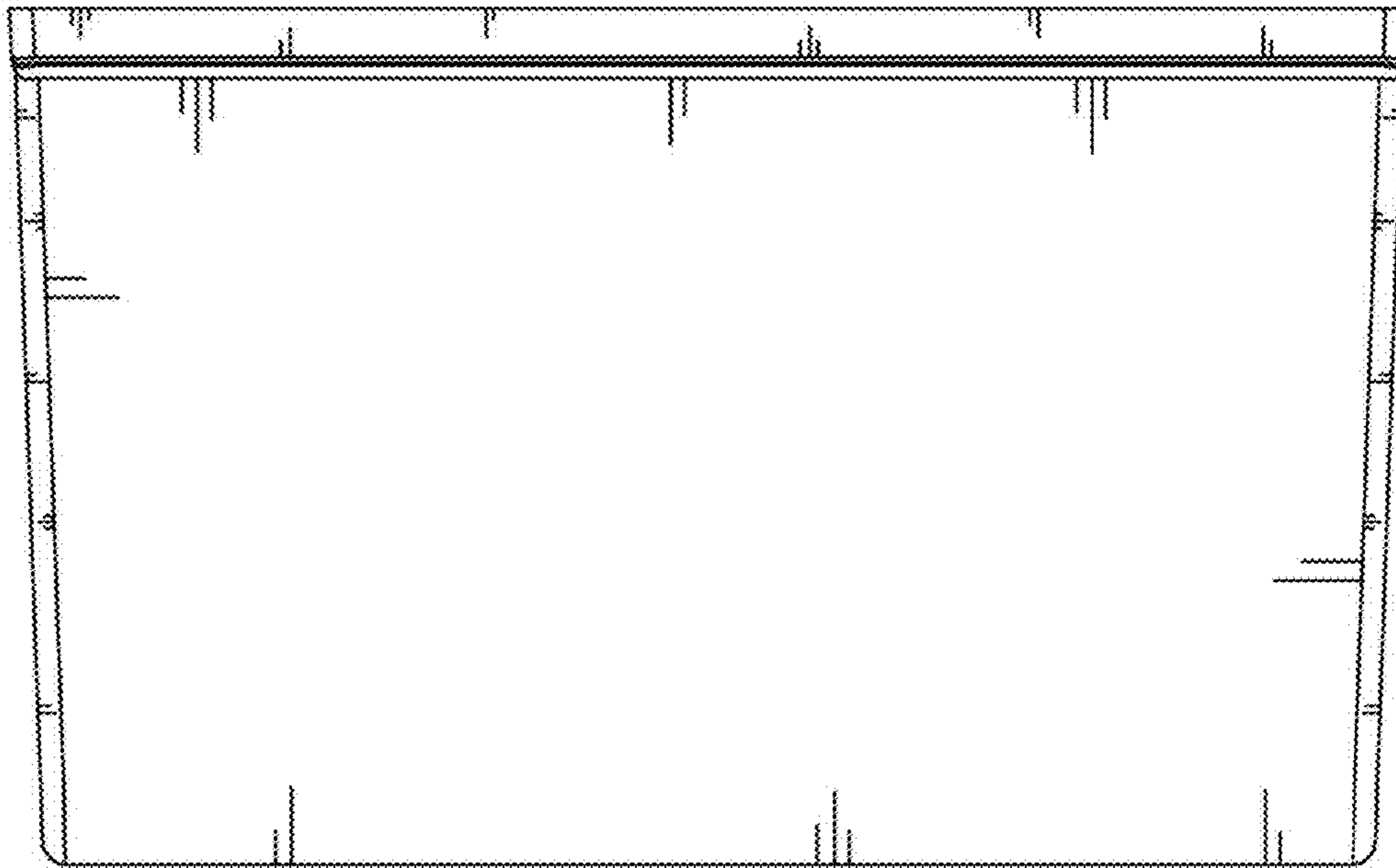


FIG. 5

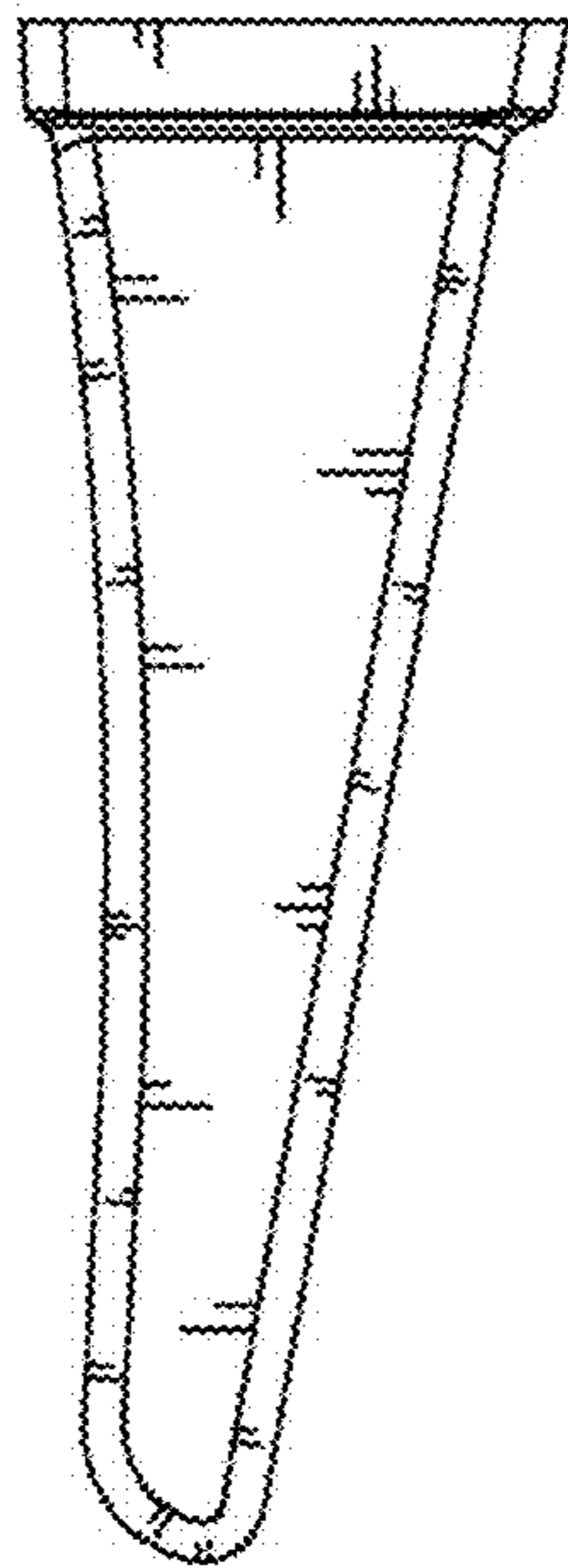


FIG. 6

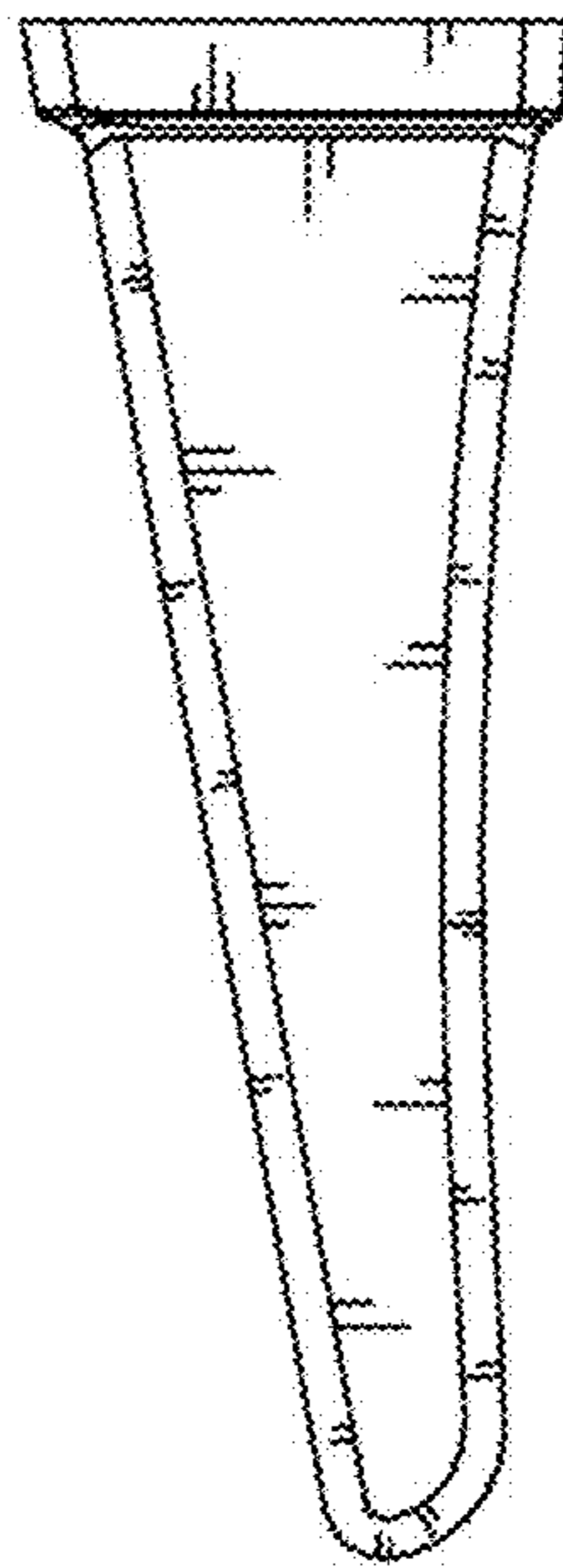


FIG. 7



FIG. 8

