



US00D804471S

(12) **United States Design Patent** (10) **Patent No.:** **US D804,471 S**  
**von Badinski et al.** (45) **Date of Patent:** **\*\* Dec. 5, 2017**

(54) **WEARABLE COMPUTING DEVICE**

(71) Applicant: **Motiv Inc.**, San Francisco, CA (US)

(72) Inventors: **Curt C. von Badinski**, Valencia, CA (US); **Michael J. Strasser**, San Francisco, CA (US); **Zachary Joseph Zelif**, Taipei (TW)

(73) Assignee: **Motiv Inc.**, San Francisco, CA (US)

(\*\*) Term: **15 Years**

(21) Appl. No.: **29/573,392**

(22) Filed: **Aug. 5, 2016**

(51) **LOC (10) Cl.** ..... **14-02**

(52) **U.S. Cl.**  
USPC ..... **D14/344**

(58) **Field of Classification Search**  
USPC ..... D14/344, 138 R, 144, 358; D24/167, D24/169, 186-187; D11/3, 93-94; D10/30-39, 70, 98; 379/433.1; 361/679.03  
CPC ..... G06F 1/163; G06F 1/1628; G06F 1/1626; G06F 1/1635; G06F 1/08; G06F 1/10; G06F 1/04; G06F 1/14; G06F 1/3203; A41D 1/002; H04M 1/02; H04M 1/03; H04M 1/04; H04M 1/05; H04M 1/667; H04M 1/6058; Y02B 60/12; H04B 1/385; H04B 1/3888; H04B 1/3833; G06Q 20/10; G06Q 20/108; G06Q 20/12; G06Q 20/145

See application file for complete search history.

(56) **References Cited**

**U.S. PATENT DOCUMENTS**

D392,585 S \* 3/1998 Kohl ..... D11/26  
D562,175 S \* 2/2008 Miller ..... D11/35

D643,428 S \* 8/2011 Janky ..... D14/240  
D661,275 S \* 6/2012 Roka ..... D10/31  
D684,082 S \* 6/2013 Alvarez ..... D11/3  
D703,069 S \* 4/2014 Adams ..... D10/31  
D721,609 S \* 1/2015 Duddy ..... D11/3  
D734,329 S \* 7/2015 Lee ..... D14/344  
D753,108 S \* 4/2016 Kuwabara ..... D11/26  
D754,356 S \* 4/2016 Lee ..... D11/3  
9,345,290 B2 \* 5/2016 Chang ..... A44C 5/0007  
D771,262 S \* 11/2016 Lee ..... D11/3  
D772,870 S \* 11/2016 Park ..... D14/138 R

**OTHER PUBLICATIONS**

Apple Plans to Unveil Wearable Device on Sep. 9, posted Apr. 28, 2014, [retrieved May 22, 2017]. Retrieved from Internet, <URL: <http://www.wearabledevices.com/2014/08/28/apple-plans-to-unveil-wearable-device/>>.\*

(Continued)

*Primary Examiner* — Karen Kearney  
*Assistant Examiner* — Kristin E Reed  
(74) *Attorney, Agent, or Firm* — JCIPRNET

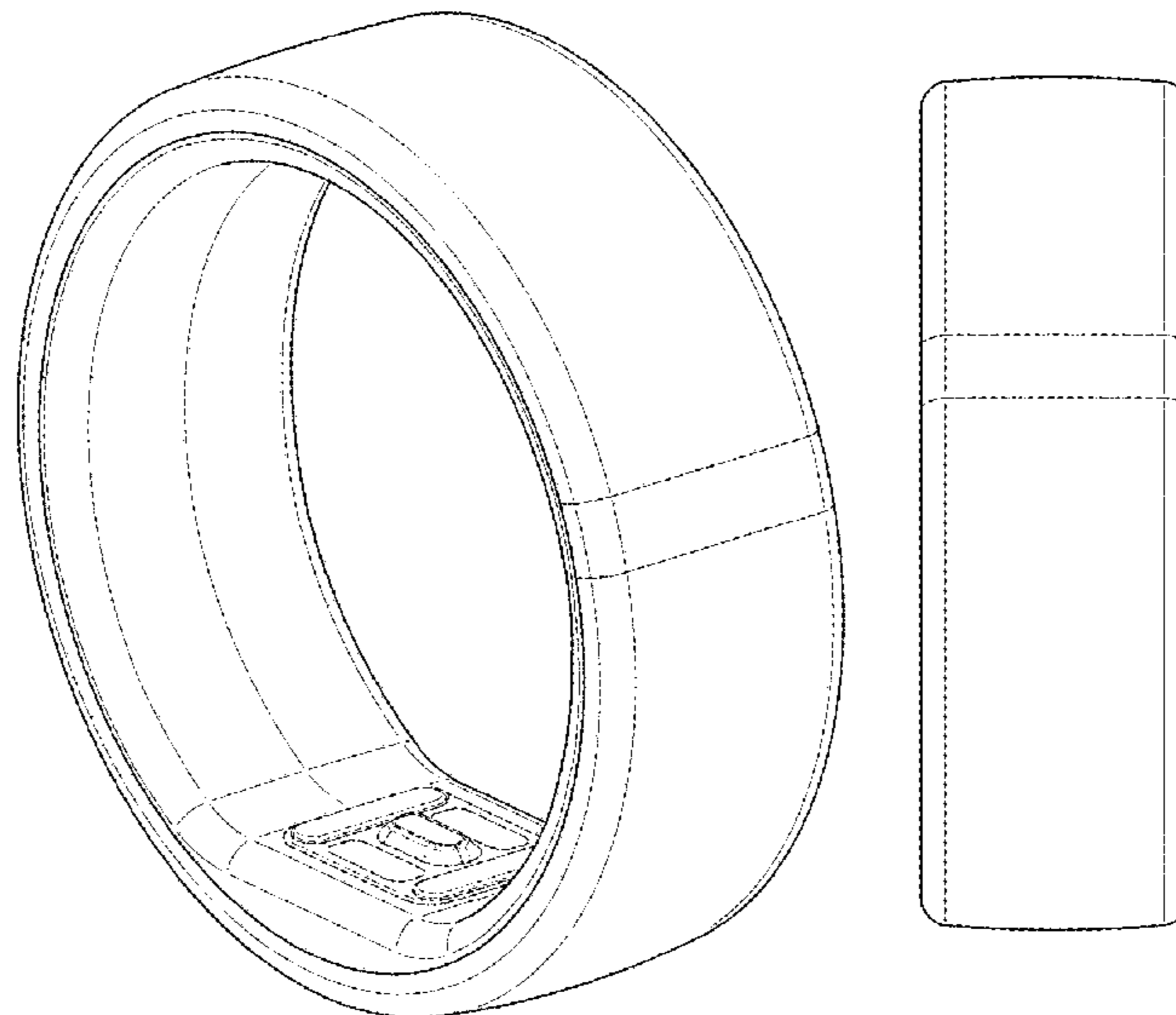
(57) **CLAIM**

The ornamental design for a wearable computing device, as shown and described.

**DESCRIPTION**

FIG. 1 is a perspective view of a wearable computing device showing our new design;  
FIG. 2 is a front view thereof, the rear view being a mirror image thereof;  
FIG. 3 is a left side view thereof;  
FIG. 4 is a right side view thereof;  
FIG. 5 is a top view thereof; and,  
FIG. 6 is a bottom view thereof.  
The dashed broken lines depict portions of the wearable computing device that form no part of the claimed design.

**1 Claim, 4 Drawing Sheets**



(56)

**References Cited**

OTHER PUBLICATIONS

Motiv is the Latest Fitness Tracking Ring in Town, posted Jan. 10, 2017, [retrieved May 22, 2017]. Retrieved from Internet, <URL: <http://urbanwearables.technology/motiv-fitness-tracking-ring-in-town/>>.\*

Tout ce qu'il faut savoir sur la bague intelligente SmartRing Mota, posted Oct. 23, 2014, [retrieved May 22, 2017]. Retrieved from Internet, <URL: <http://www.objetconnecte.net/la-bague-intelligente-smartring-de-mota/>>.\*

\* cited by examiner

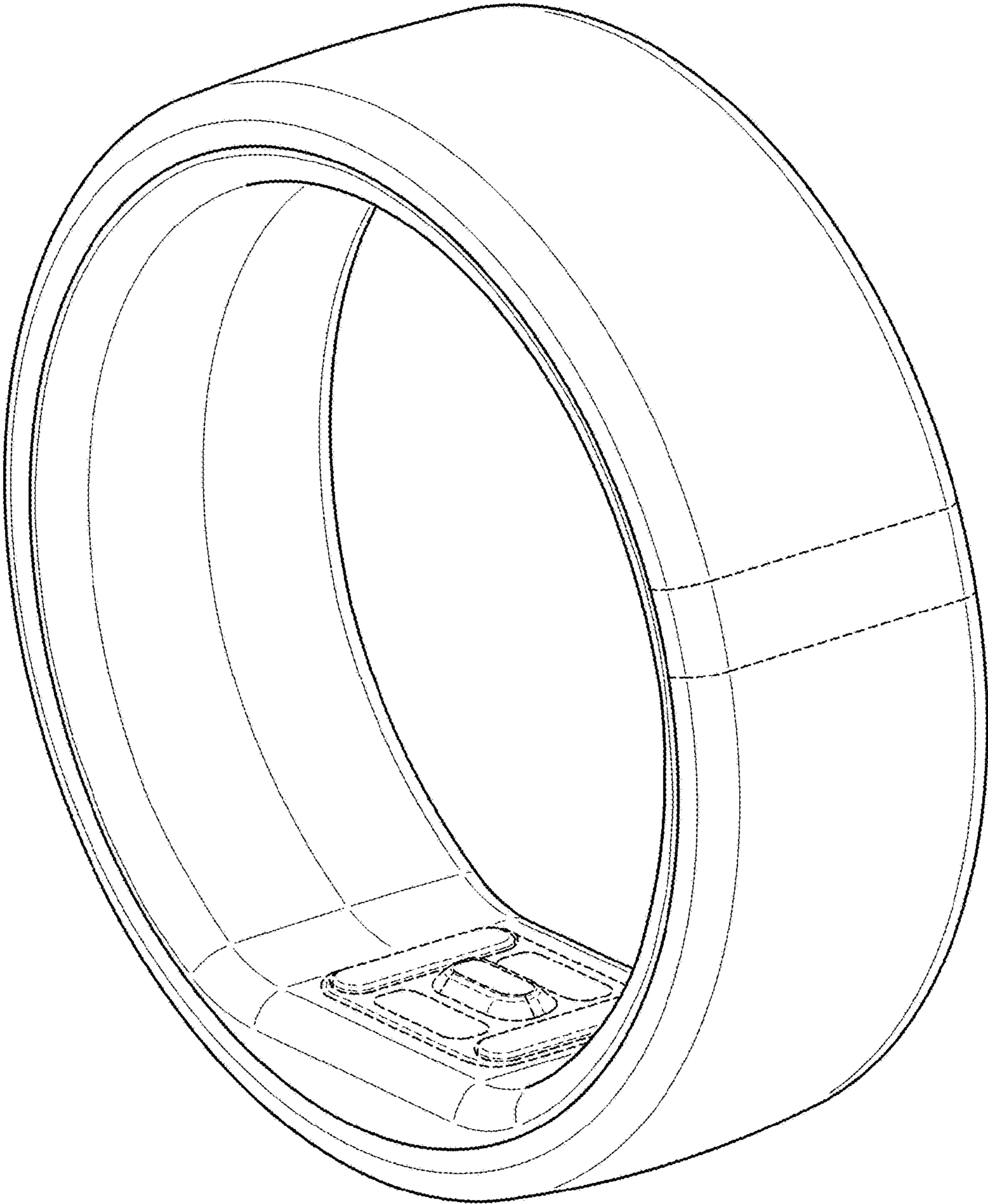


FIG. 1

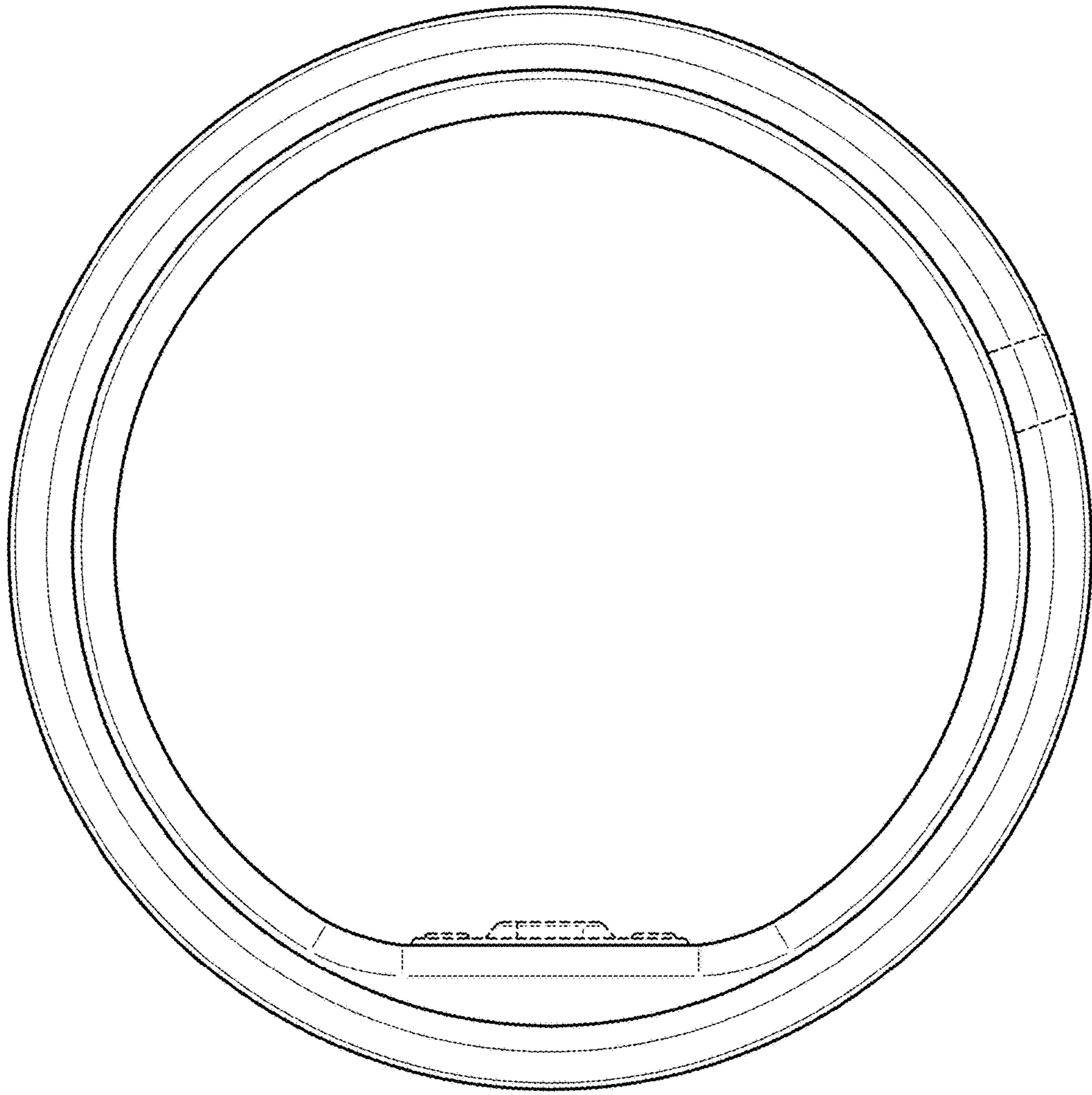


FIG. 2

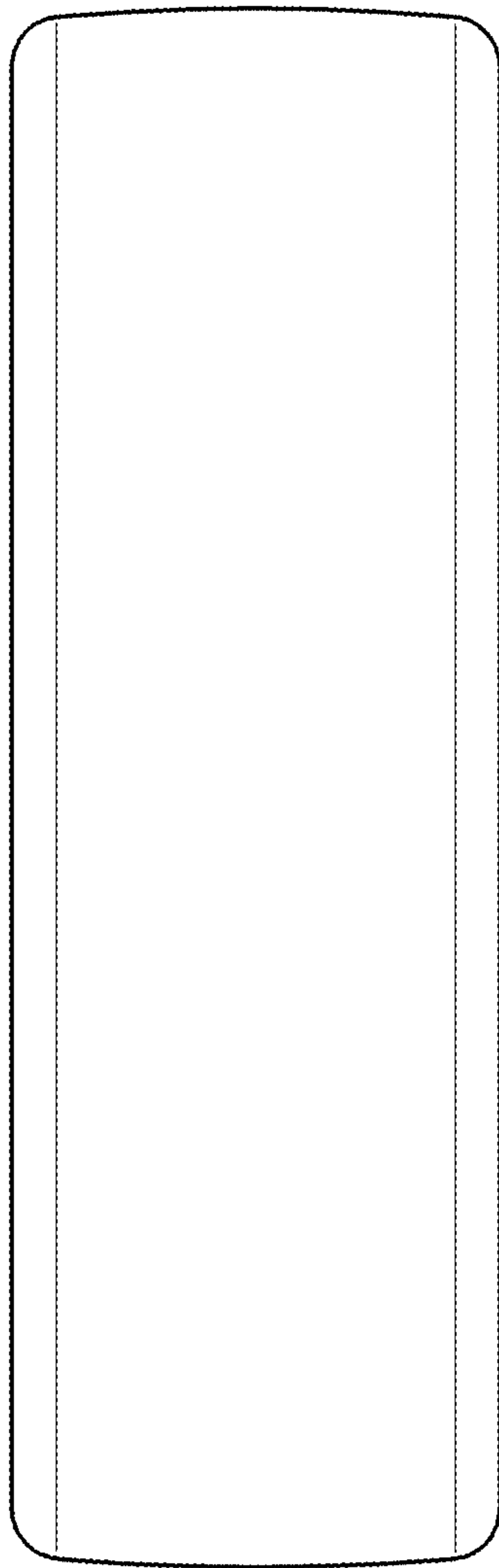


FIG. 3

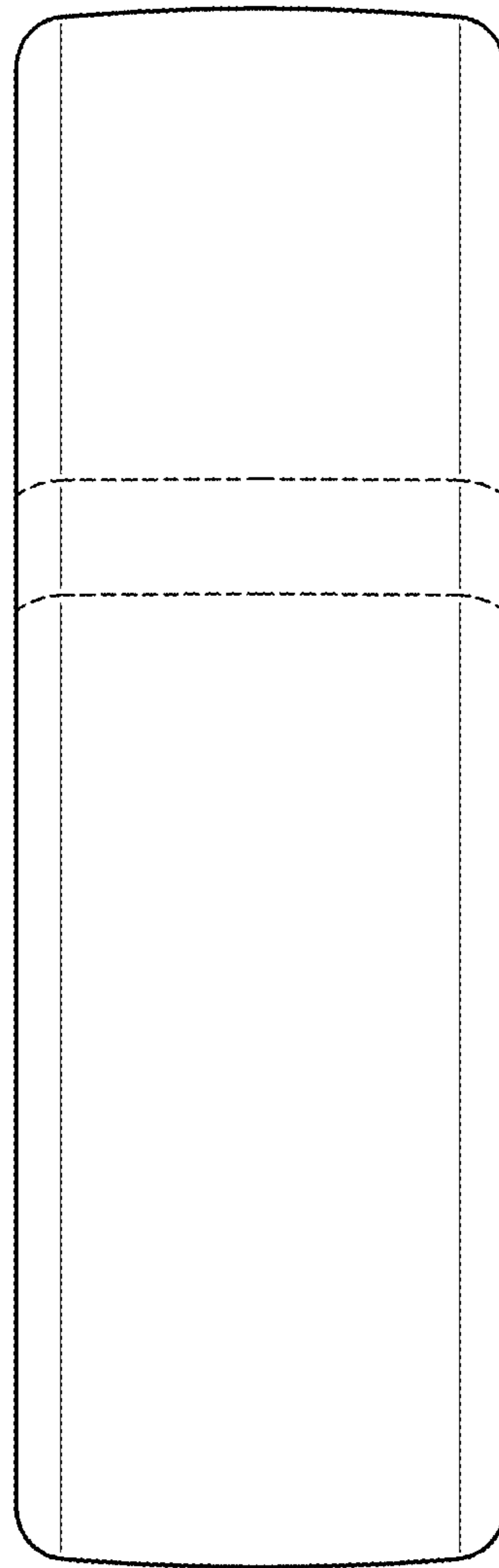


FIG. 4

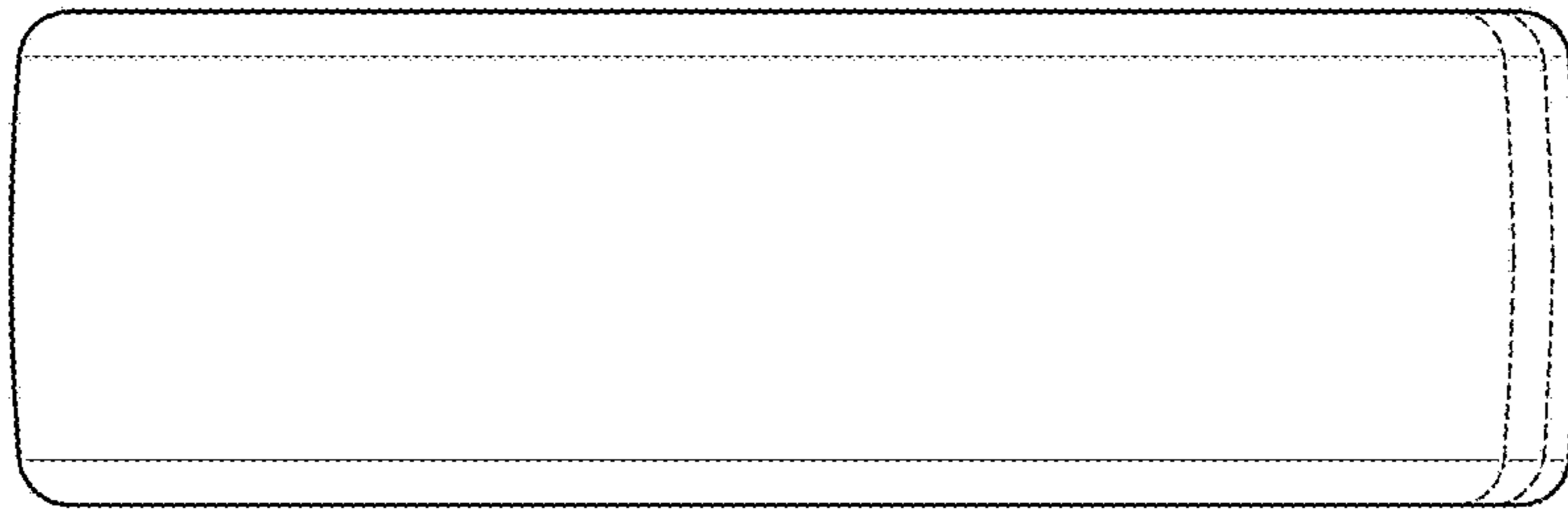


FIG. 5

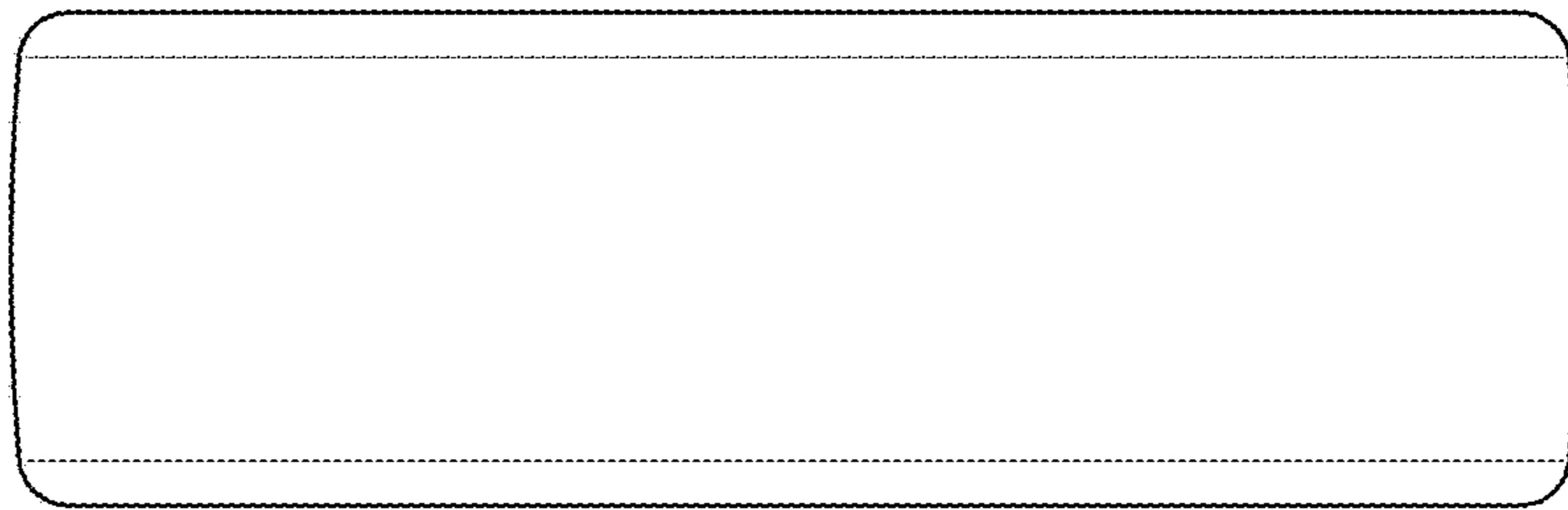


FIG. 6