



US00D804470S

(12) **United States Design Patent** (10) **Patent No.:** **US D804,470 S**  
**Hallar et al.** (45) **Date of Patent:** **\*\* Dec. 5, 2017**

(54) **INFORMATION HANDLING TABLET**

(71) Applicant: **Dell Products L.P.**, Round Rock, TX (US)

(72) Inventors: **James H. Hallar**, Austin, TX (US);  
**John T. Morrison**, Round Rock, TX (US)

(73) Assignee: **Dell Products L.P.**, Round Rock, TX (US)

(\*\*) Term: **15 Years**

(21) Appl. No.: **29/575,358**

(22) Filed: **Aug. 24, 2016**

(51) **LOC (10) Cl.** ..... **14-02**

(52) **U.S. Cl.**  
USPC ..... **D14/341**

(58) **Field of Classification Search**  
USPC ..... D14/315-327, 341; D18/1, 2, 7, 11;  
235/145 A, 145 R; 341/22, 23; 345/104,  
345/156, 168, 169, 173; 361/679.08,  
361/679.09, 679.11, 679.26, 679.27  
CPC ..... G06F 1/16; G06F 1/1616; G06F 1/1626;  
G06F 1/1632; G06F 1/1613; G06F  
1/1601; G06F 1/1618; G06F 1/162; G06F  
1/166; G06F 1/1654; G06F 1/1681; G06F  
1/1637; G06F 1/1688; G06F 1/1656;  
H01R 35/02; H03M 11/00; G09B 13/04;  
H03K 17/94; G09G 5/00; F16M 11/10;  
H05K 5/00; H04M 1/0237  
See application file for complete search history.

(56) **References Cited**

**U.S. PATENT DOCUMENTS**

D504,889 S \* 5/2005 Andre ..... D14/341  
D669,468 S \* 10/2012 Akana ..... D14/341

D678,271 S \* 3/2013 Chiu ..... D14/341  
D705,776 S \* 5/2014 Groene ..... D14/341  
D735,188 S \* 7/2015 Oh ..... D14/341  
D751,063 S \* 3/2016 Lin ..... D14/341

\* cited by examiner

*Primary Examiner* — Freda S Nunn  
(74) *Attorney, Agent, or Firm* — Terrile, Cannatti,  
Chambers & Holland, LLP; Robert W. Holland

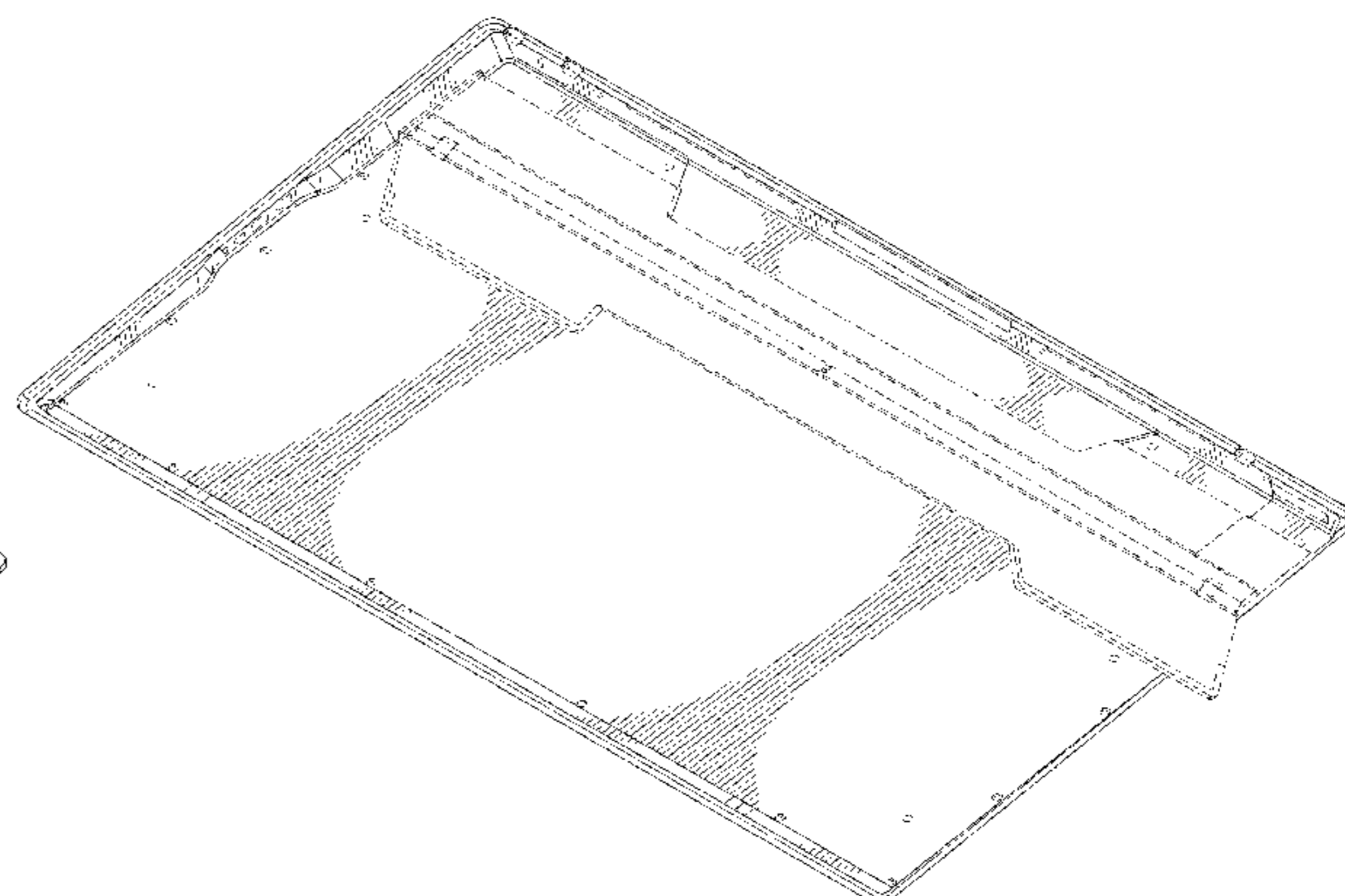
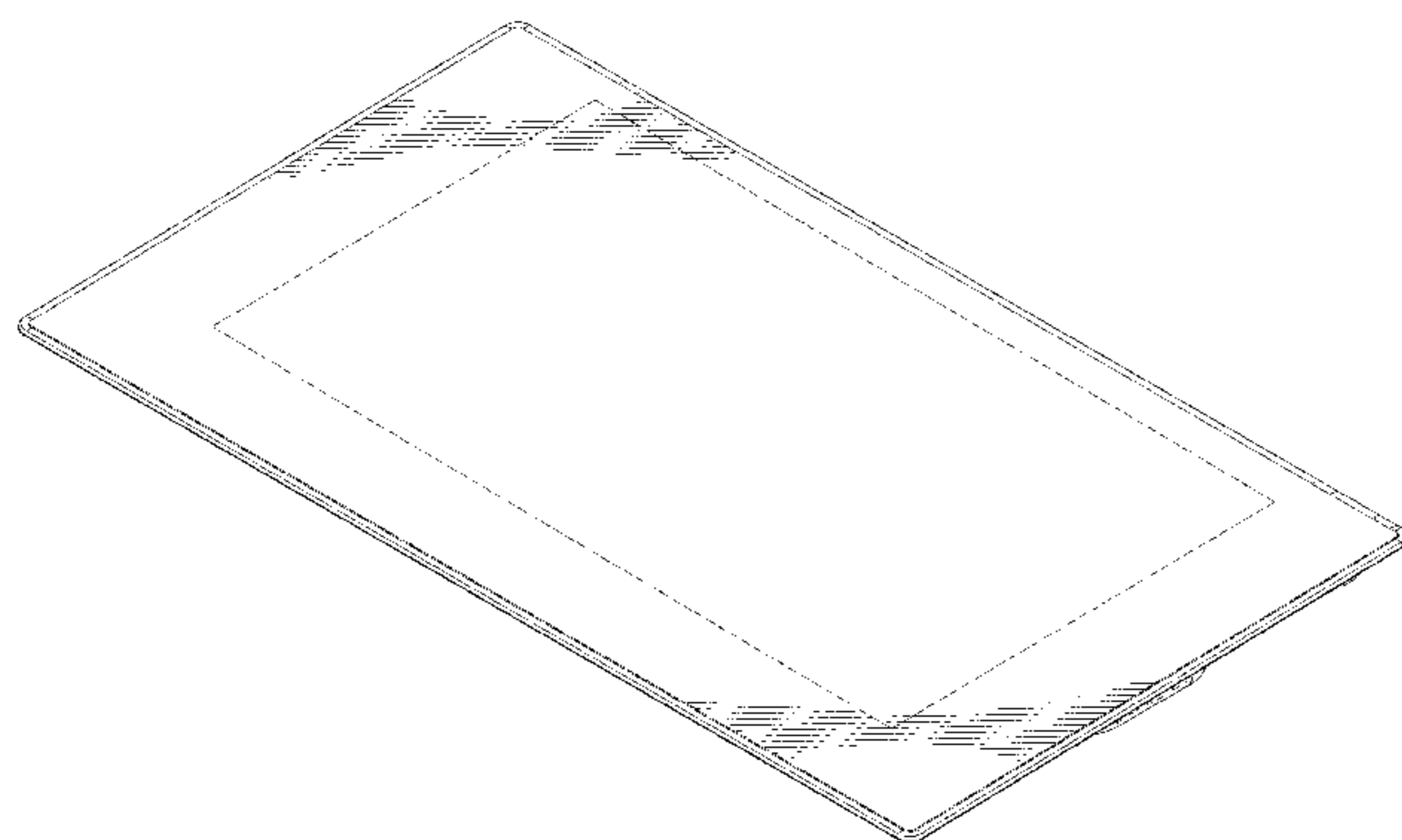
(57) **CLAIM**

We claim the ornamental design for an information handling tablet, as shown and described.

**DESCRIPTION**

FIG. 1 is a front perspective view of the information handling tablet in a closed position comprising the present invention;  
FIG. 2 is a front view thereof;  
FIG. 3 is a rear view thereof;  
FIG. 4 is a right side view thereof;  
FIG. 5 is a left side view thereof;  
FIG. 6 is a top view thereof;  
FIG. 7 is a bottom view thereof;  
FIG. 8 is a bottom perspective view thereof;  
FIG. 9 is a bottom perspective view thereof configured with an integrated stand in an extended position;  
FIG. 10 is a right side view thereof configured with an integrated stand in an extended position;  
FIG. 11 is a left side view thereof configured with an integrated stand in an extended position; and,  
FIG. 12 is bottom perspective view thereof configured with an integrated stand in an extended position.  
Broken lines shown in the drawings illustrate portions of the information handling tablet, and form no part of the claimed design.

**1 Claim, 8 Drawing Sheets**



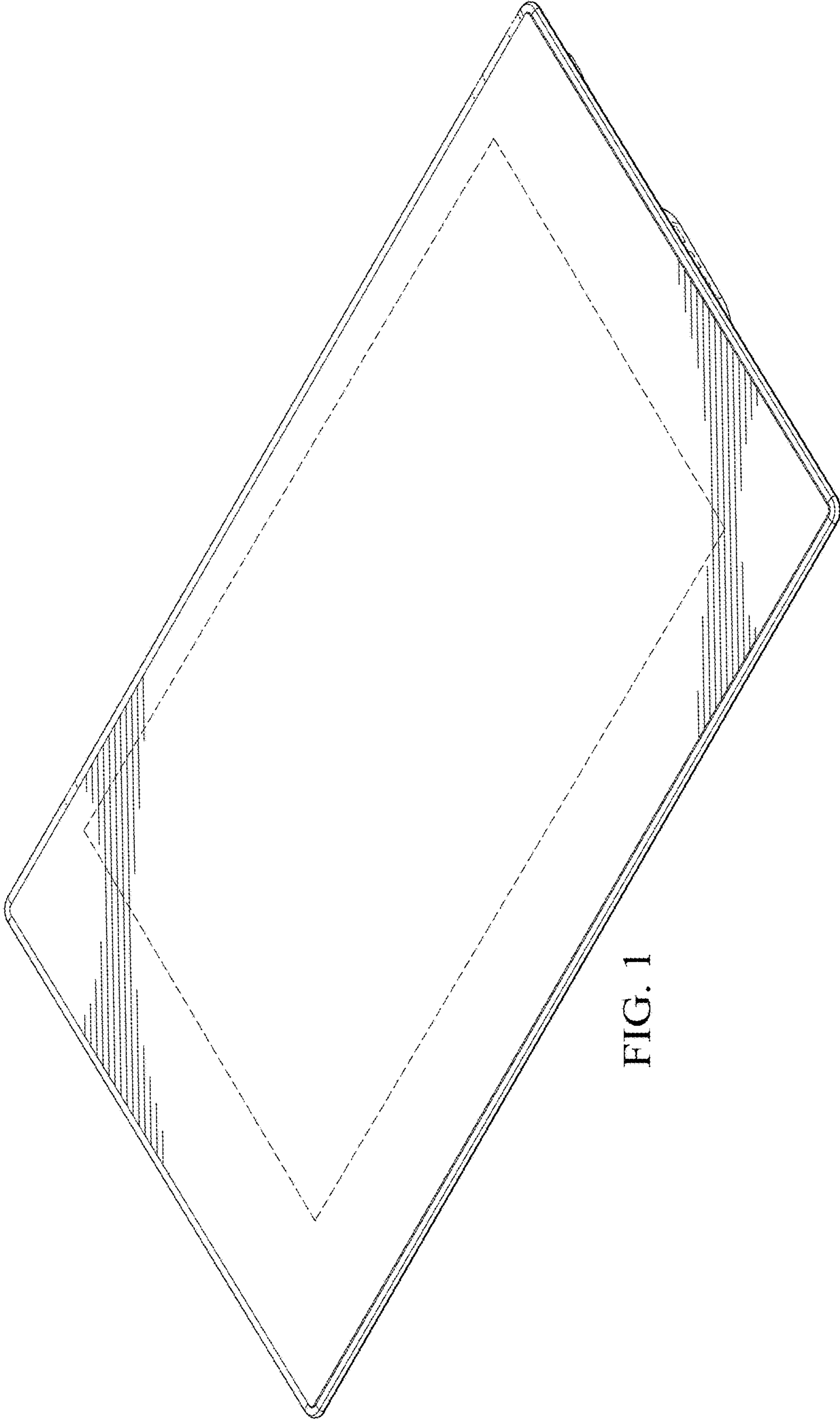


FIG. 1

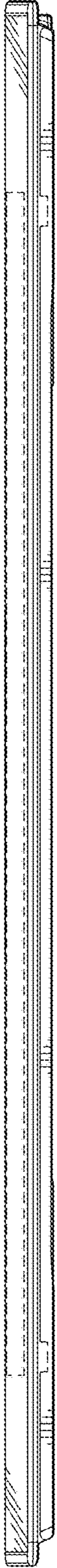


FIG. 2

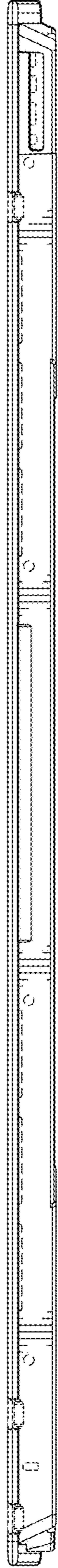


FIG. 3

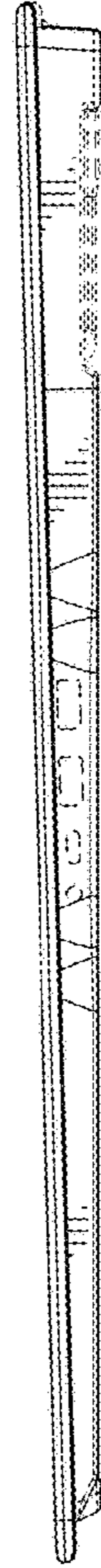


FIG. 4

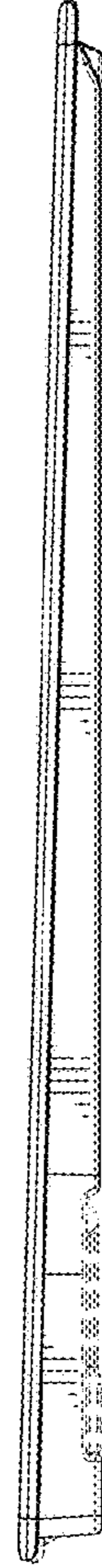


FIG. 5

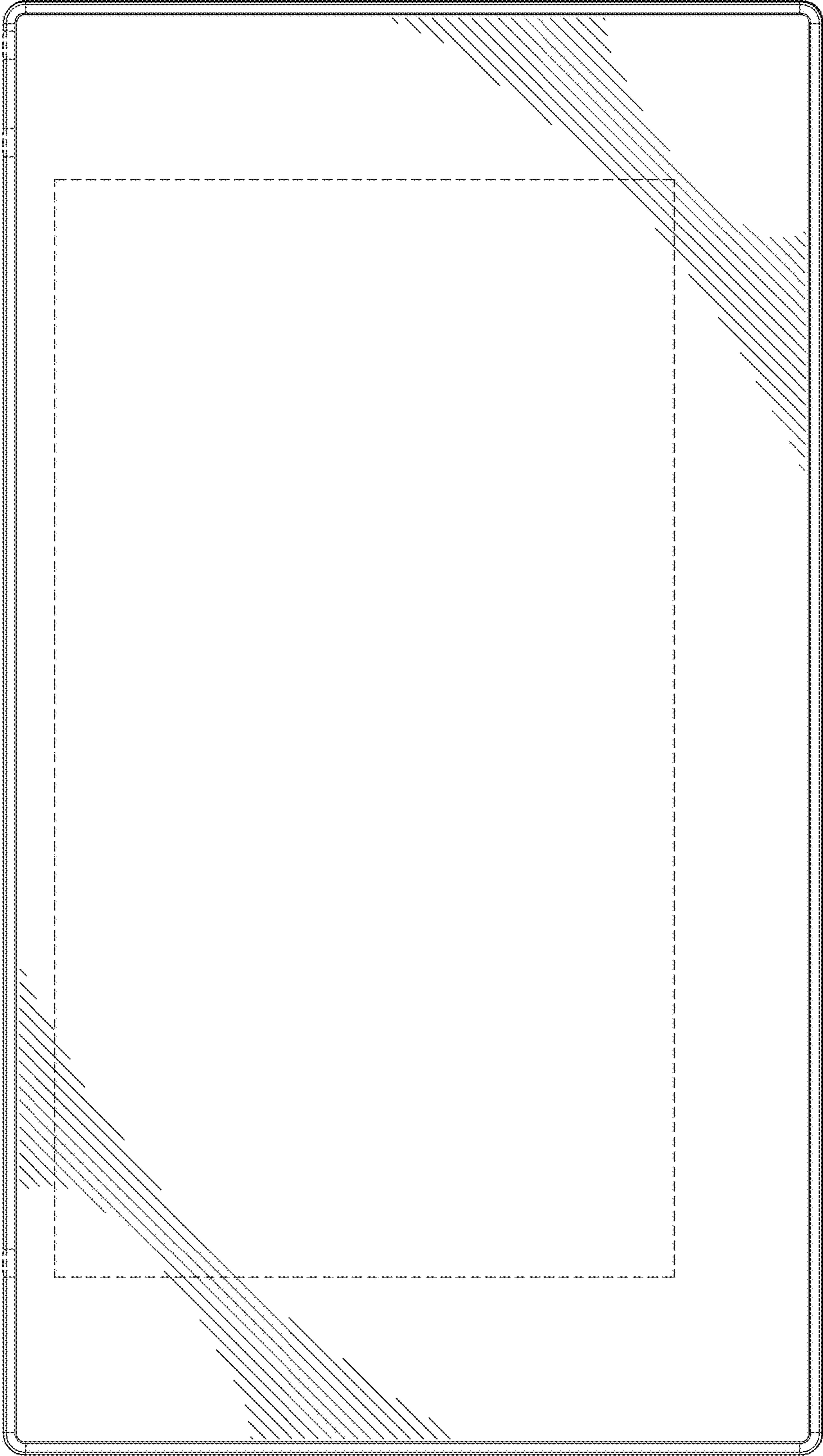


FIG. 6

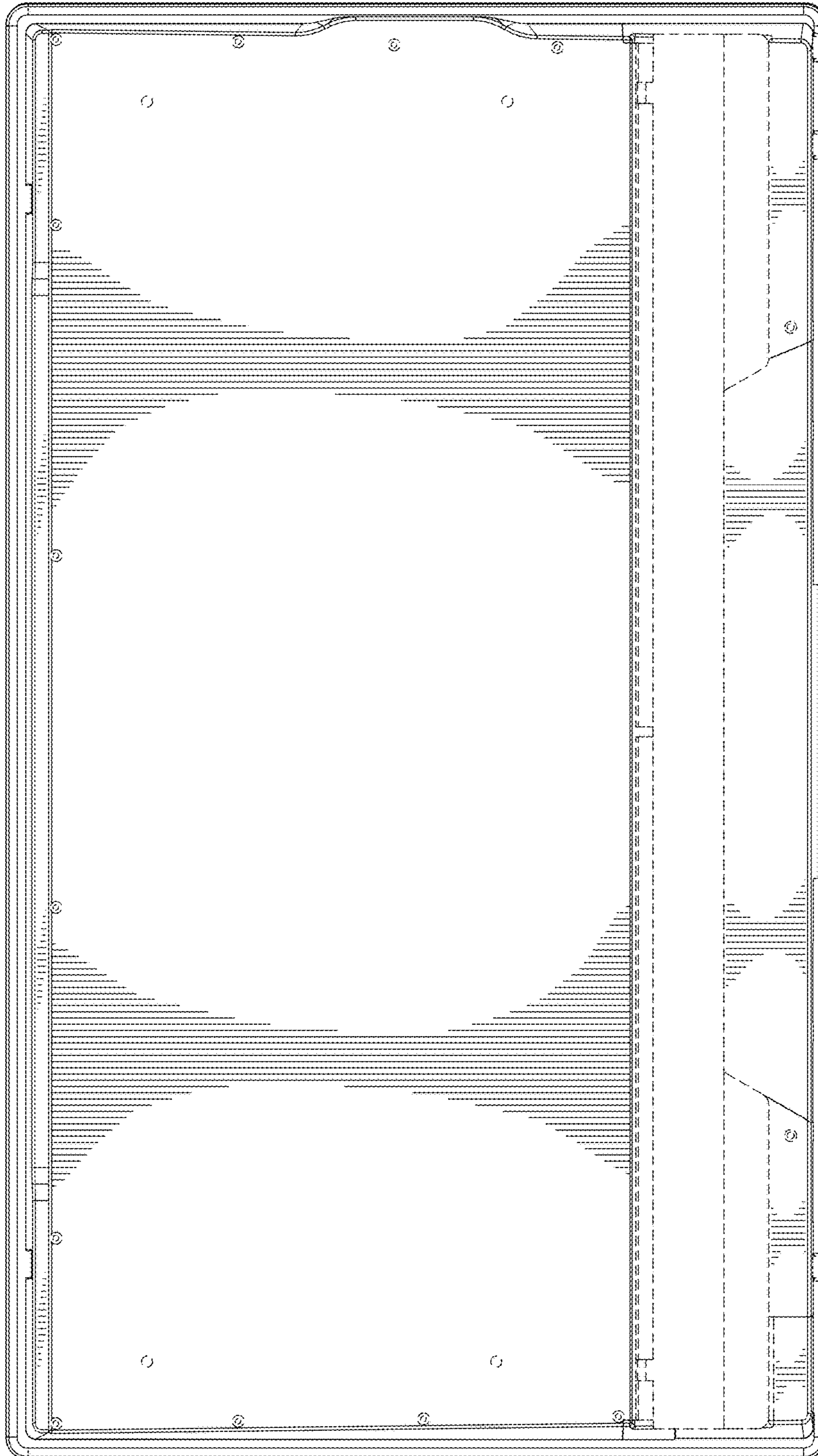


FIG. 7

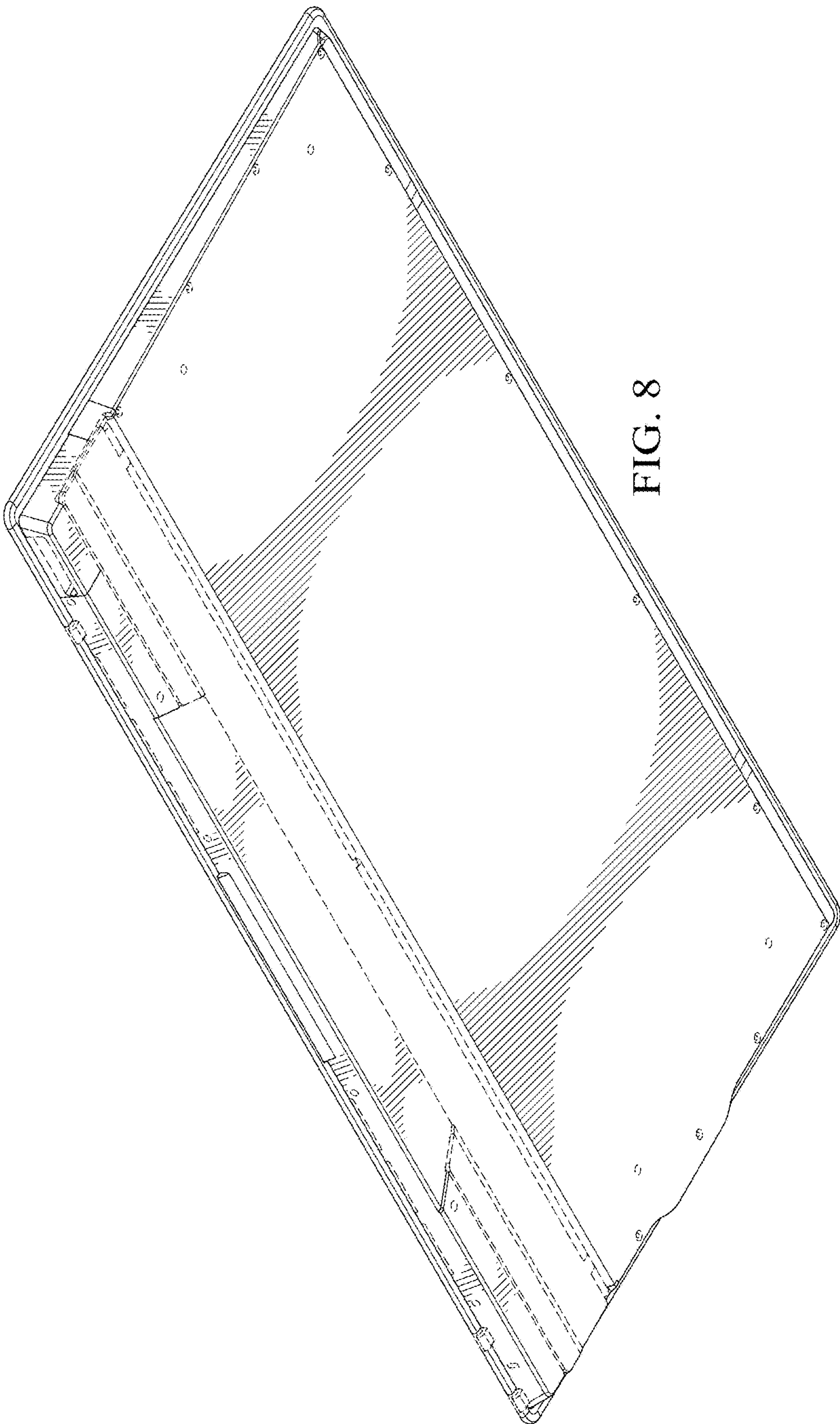
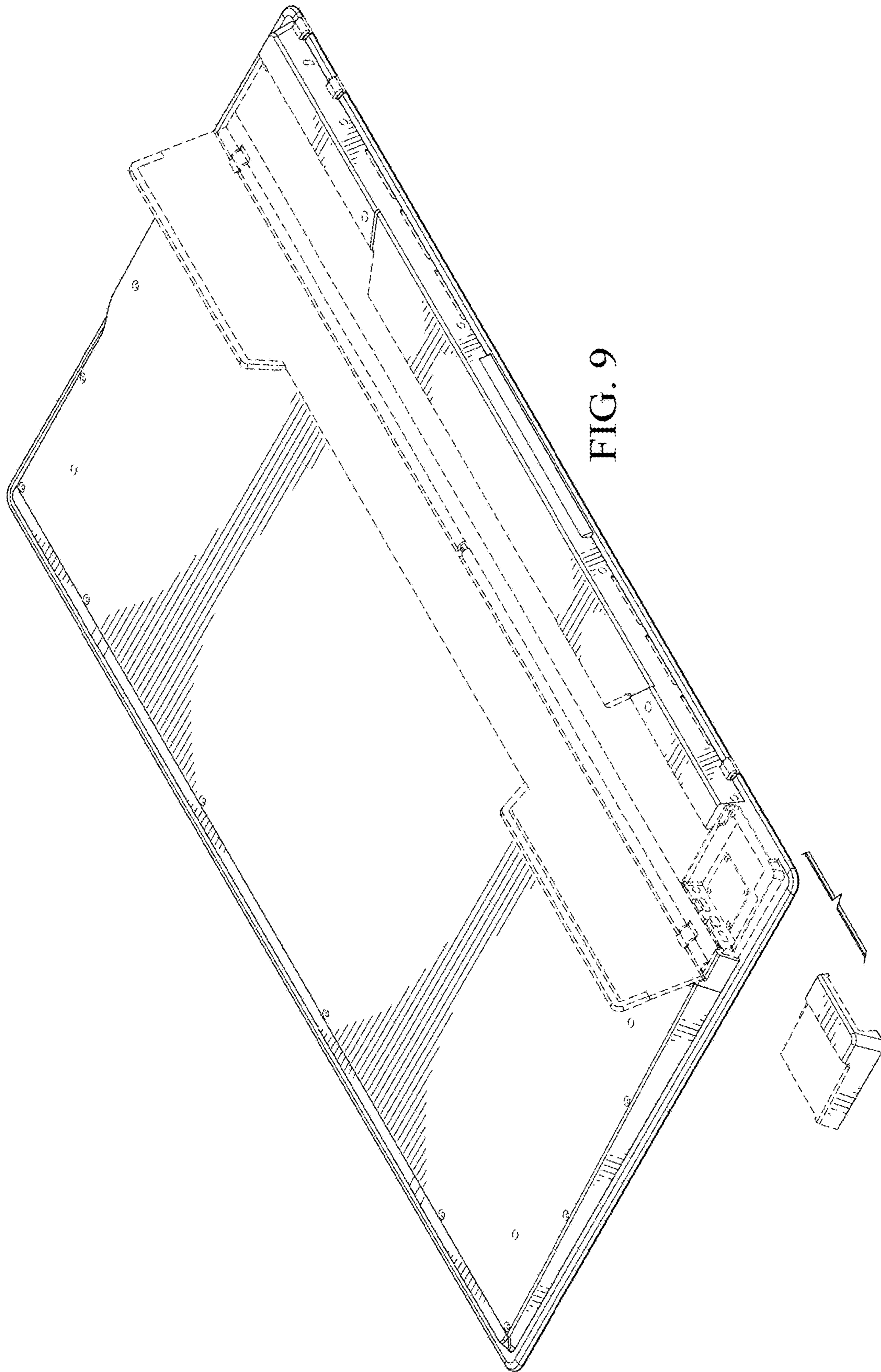


FIG. 8



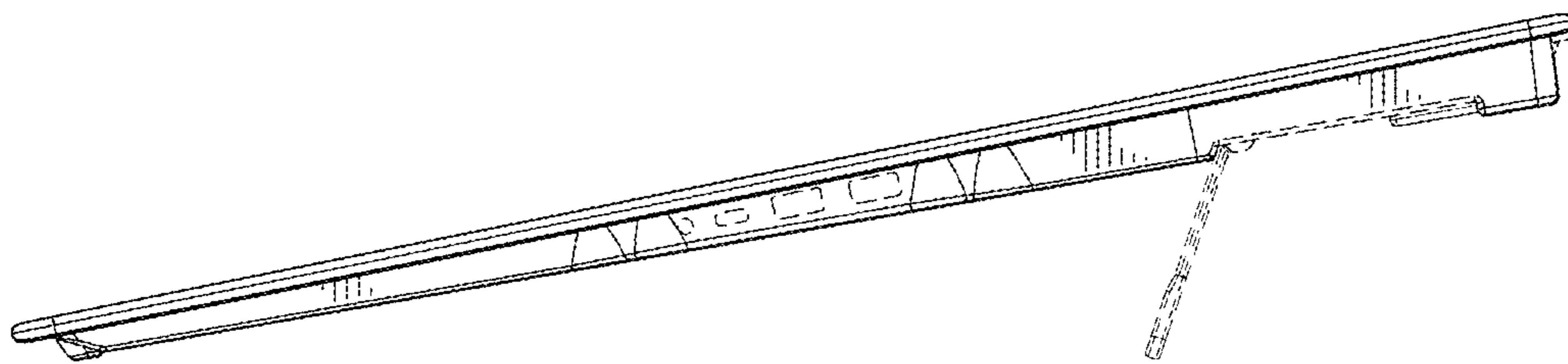


FIG. 10

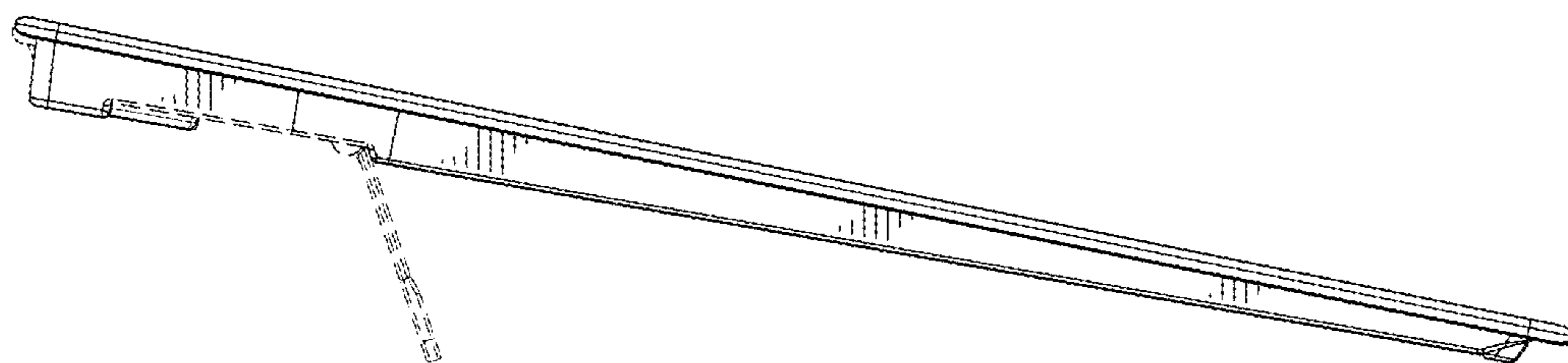


FIG. 11



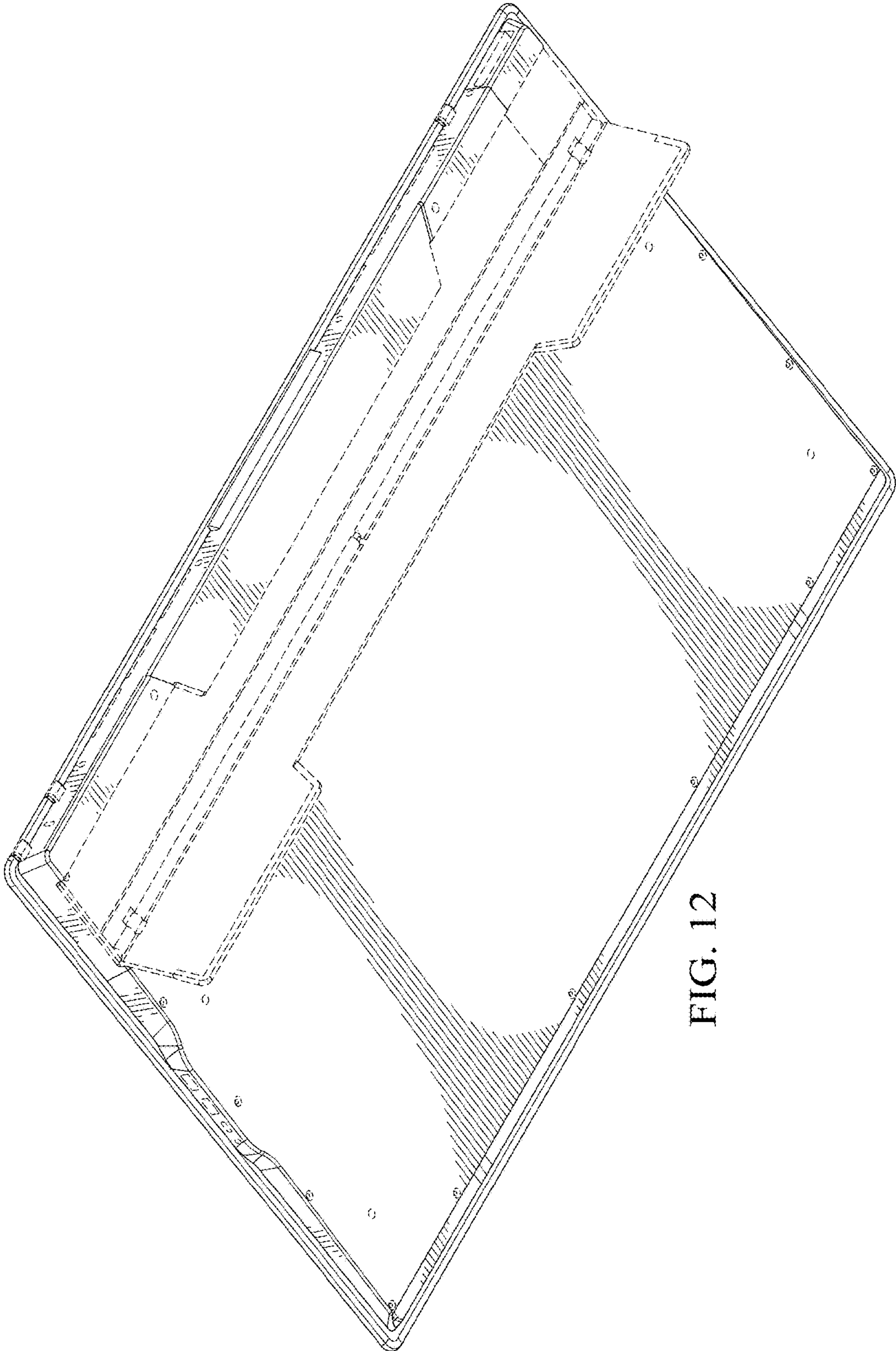


FIG. 12