



US00D804468S

(12) **United States Design Patent**
Armstrong et al.

(10) **Patent No.:** **US D804,468 S**

(45) **Date of Patent:** **** Dec. 5, 2017**

(54) **CASE FOR A COMPUTING DEVICE**

(74) *Attorney, Agent, or Firm* — Troutman Sanders LLP

(71) Applicant: **URBAN ARMOR GEAR, LLC,**
Laguna Niguel, CA (US)

(57) **CLAIM**

(72) Inventors: **Steven Armstrong,** Laguna Niguel, CA
(US); **Jay Veltz,** Laguna Niguel, CA
(US)

We claim the ornamental design for a case for a computing device, as shown and described.

(73) Assignee: **Urban Armor Gear, LLC,** Laguna
Niguel, CA (US)

DESCRIPTION

(**) Term: **15 Years**

(21) Appl. No.: **29/582,304**

(22) Filed: **Oct. 26, 2016**

(51) **LOC (10) Cl.** **14-02**

(52) **U.S. Cl.**
USPC **D14/315**

(58) **Field of Classification Search**
USPC D14/315–327; D18/1, 2, 7, 11;
235/145 A, 145 R; 341/22, 23; 345/104,
345/156, 168, 169, 173; 361/679.08,
361/679.09, 679.11, 679.26, 679.27
CPC G06F 1/16; G06F 1/1616; G06F 1/1626;
G06F 1/1632; G06F 1/1613; G06F
1/1601; G06F 1/1618; G06F 1/162; G06F
1/166; G06F 1/1654; G06F 1/1681; G06F
1/1637; G06F 1/1688; G06F 1/1656;
H01R 35/02; H03M 11/00; G09B 13/04;
H03K 17/94;

(Continued)

(56) **References Cited**

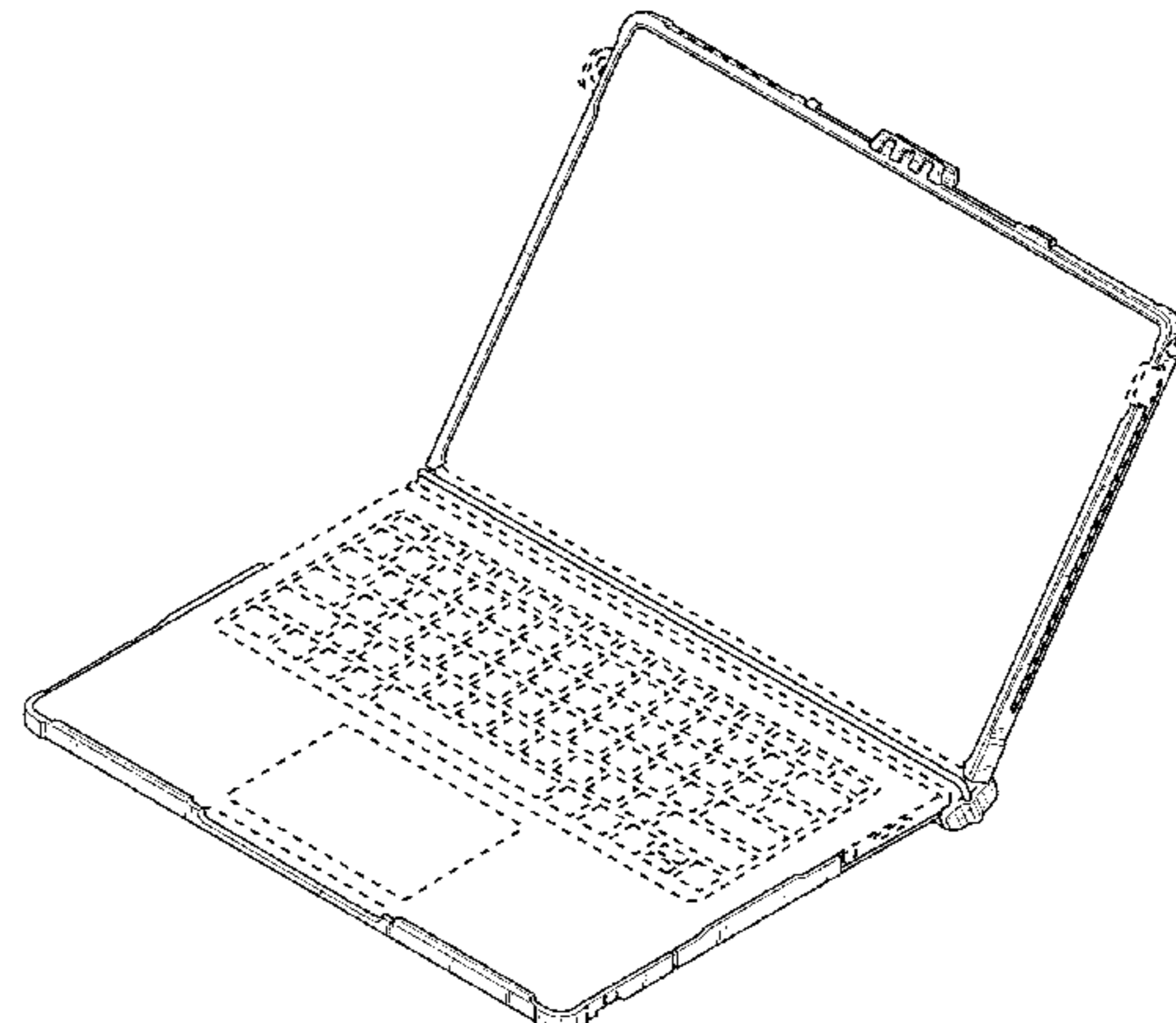
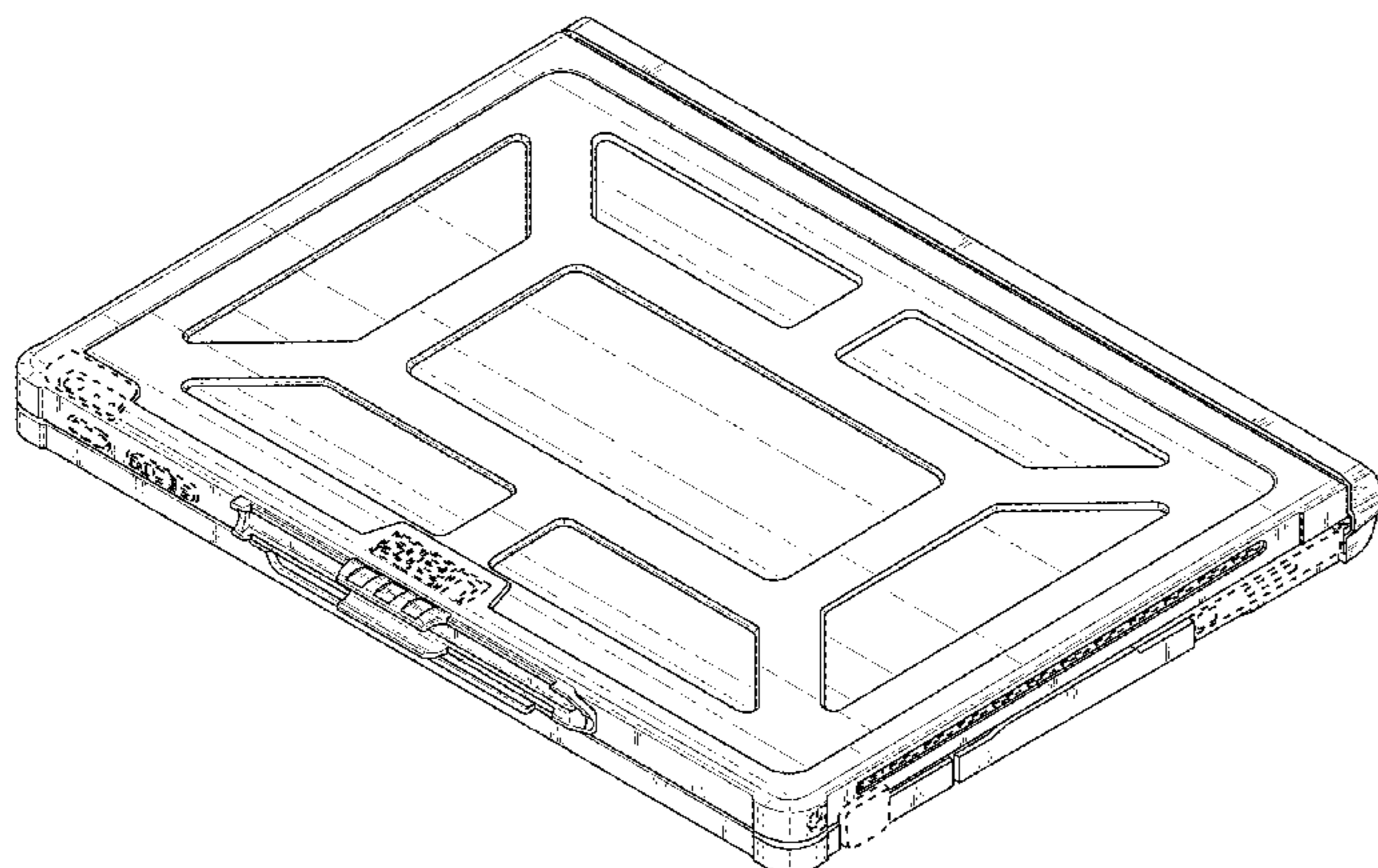
U.S. PATENT DOCUMENTS

D456,398 S * 4/2002 Horiki D14/318
D558,754 S * 1/2008 Takemasa D14/328

(Continued)

Primary Examiner — Freda S Nunn

(Continued)



The subject matter shown in dashed lines, and any surfaces of the design not shown, including interior surfaces, form no part of the claimed design.

1 Claim, 15 Drawing Sheets

(58) **Field of Classification Search**

CPC G09G 5/00; F16M 11/10; H05K 5/00;
H04M 1/0237

See application file for complete search history.

(56) **References Cited**

U.S. PATENT DOCUMENTS

D623,644 S * 9/2010 Hsu D14/315
D649,149 S * 11/2011 Peng D14/315
D702,679 S * 4/2014 Li D14/324
2011/0310553 A1 * 12/2011 Hsiao G06F 1/1656
361/679.55

* cited by examiner

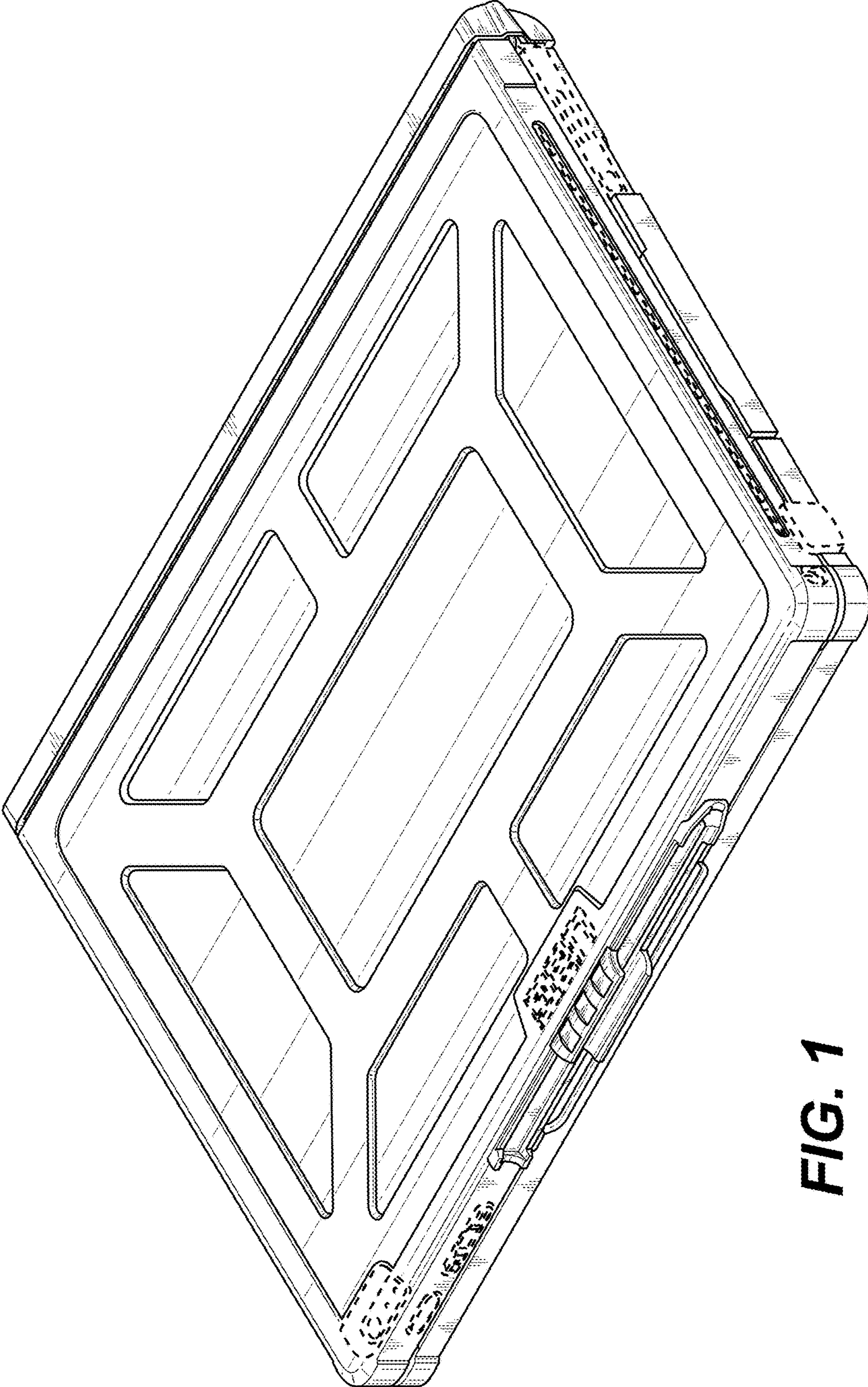


FIG. 1

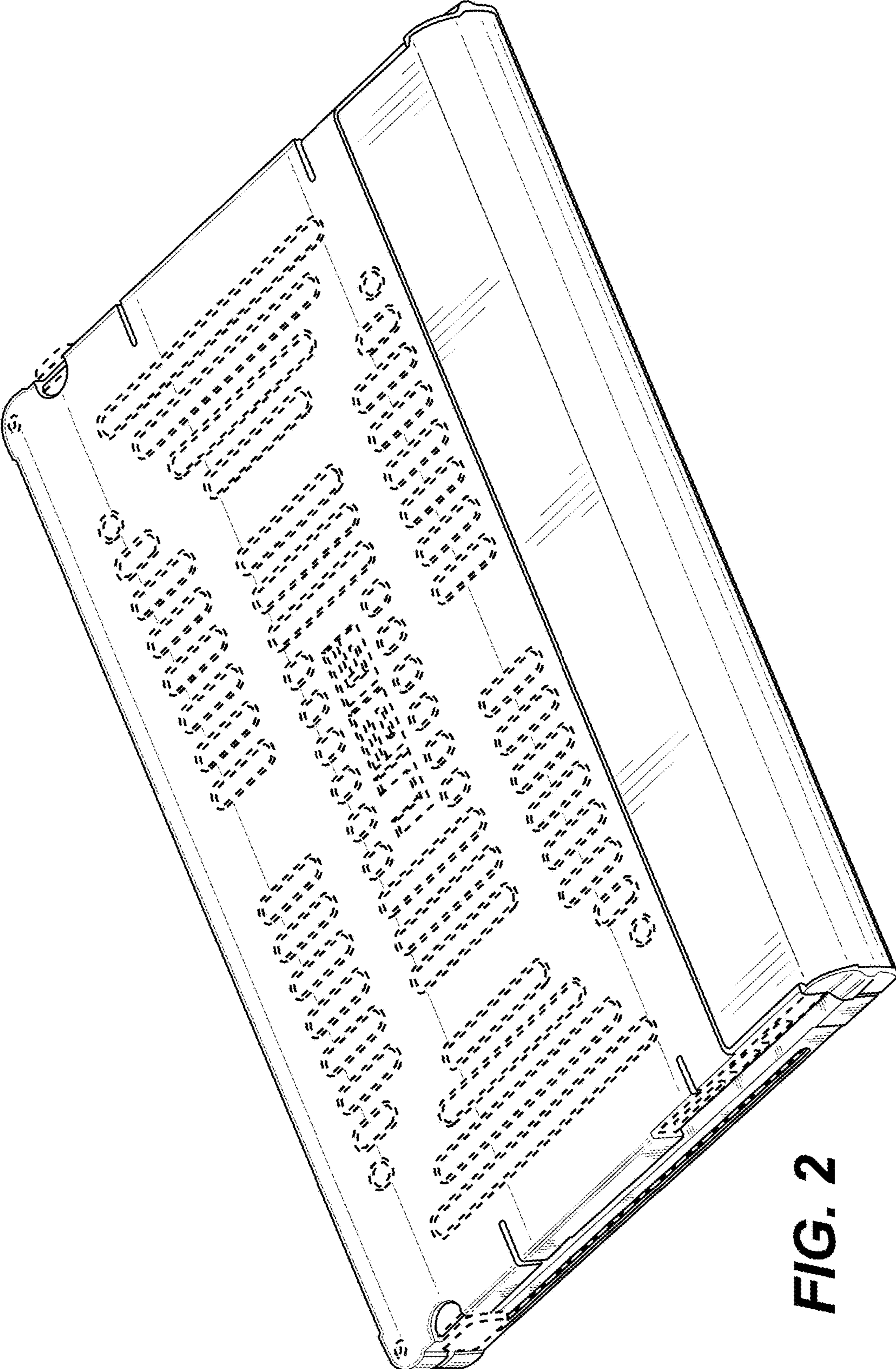


FIG. 2

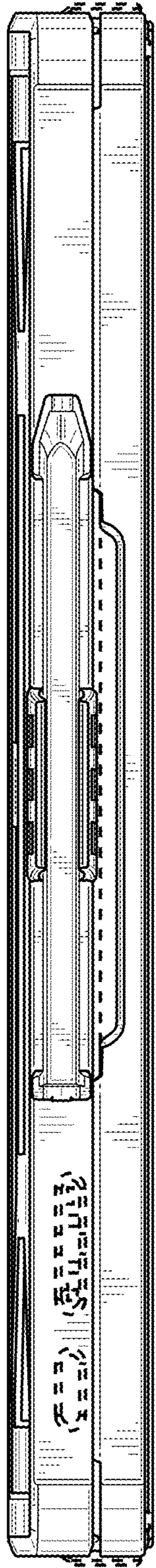


FIG. 3

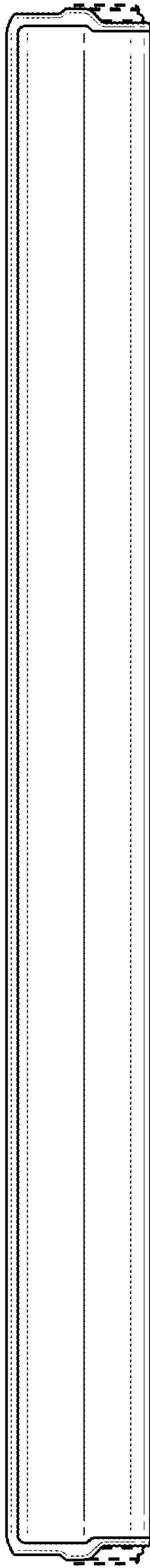


FIG. 4

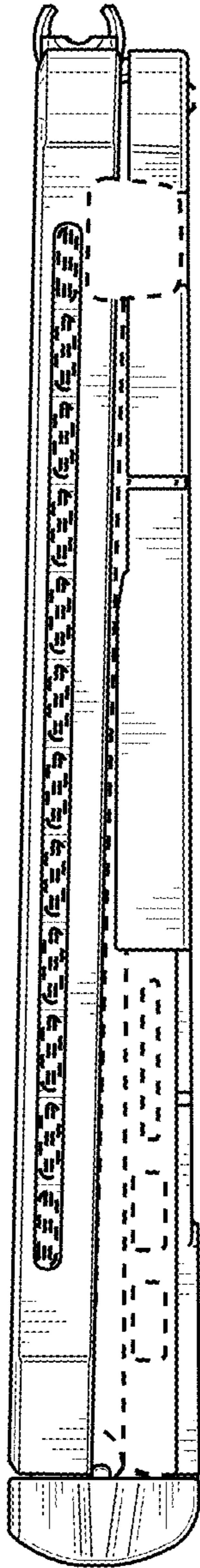


FIG. 5

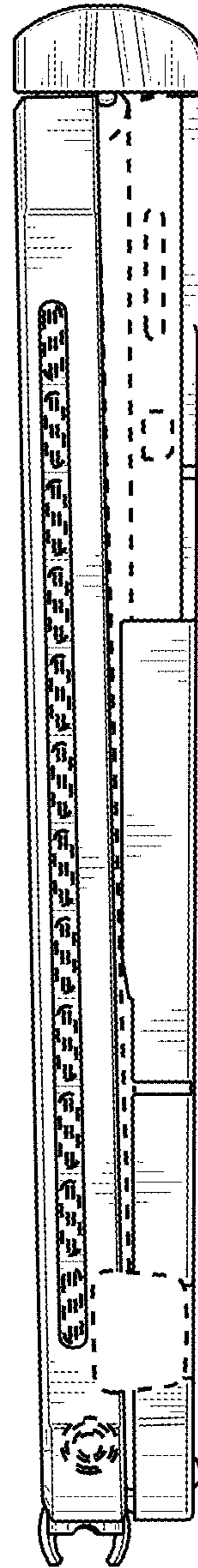


FIG. 6

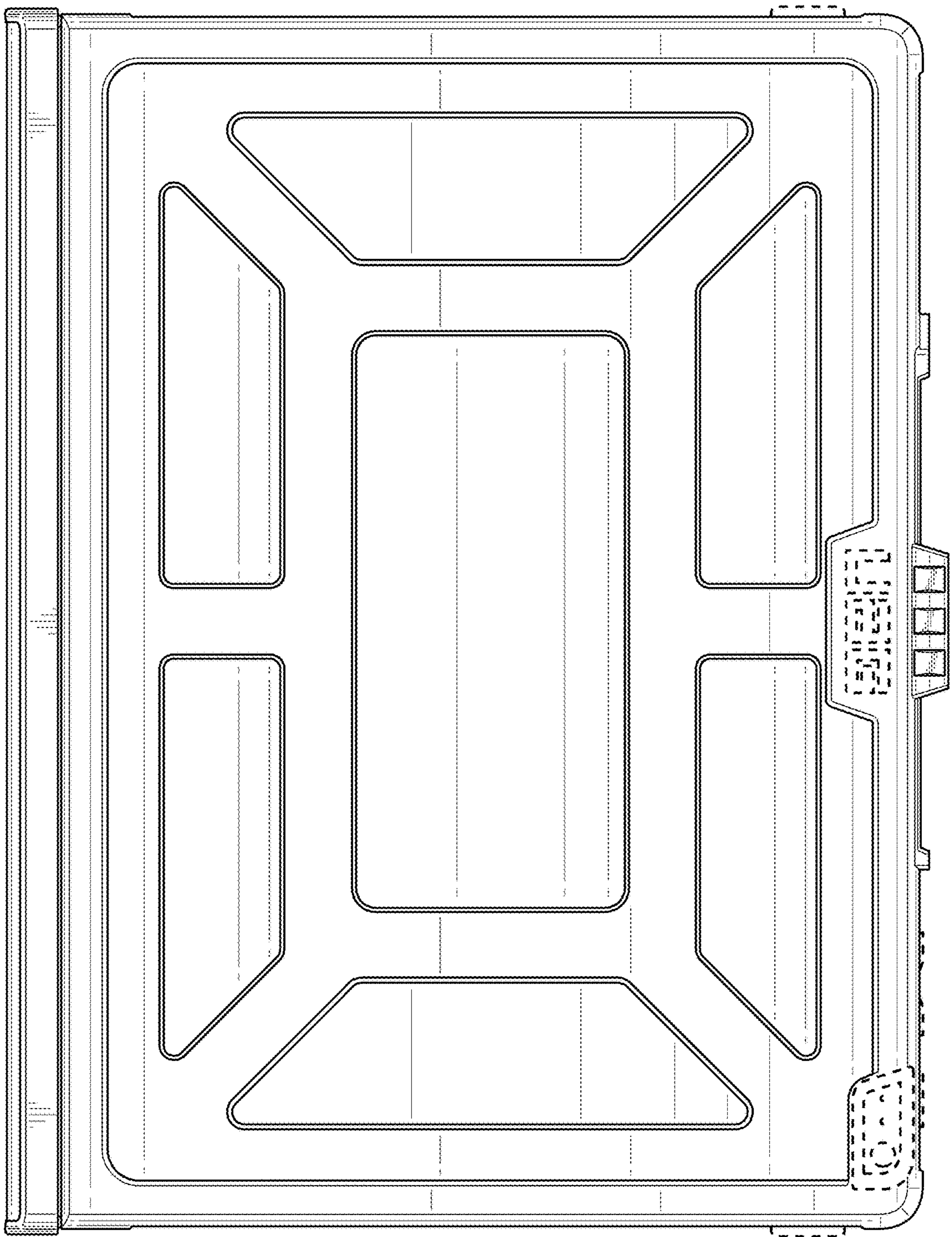


FIG. 7

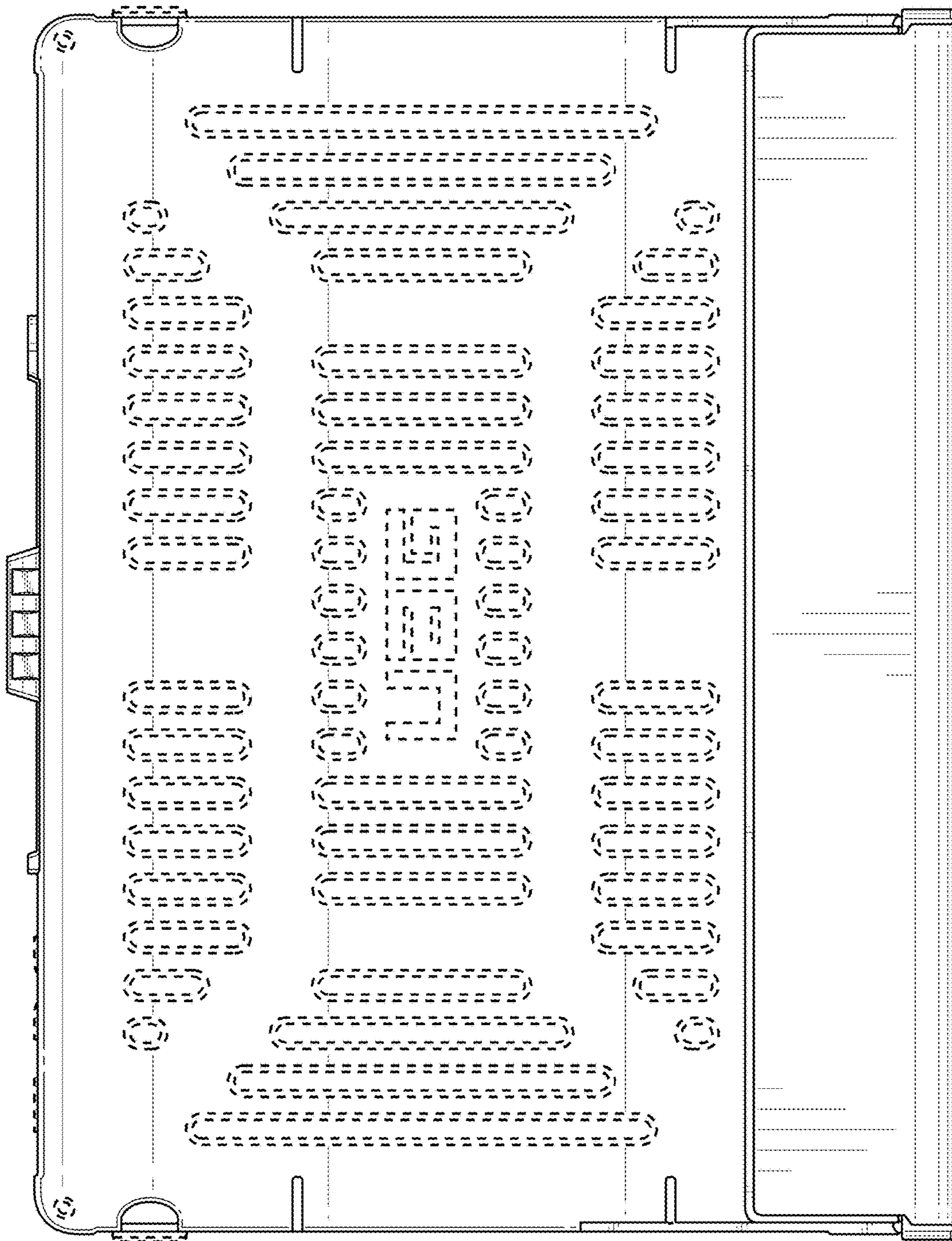


FIG. 8

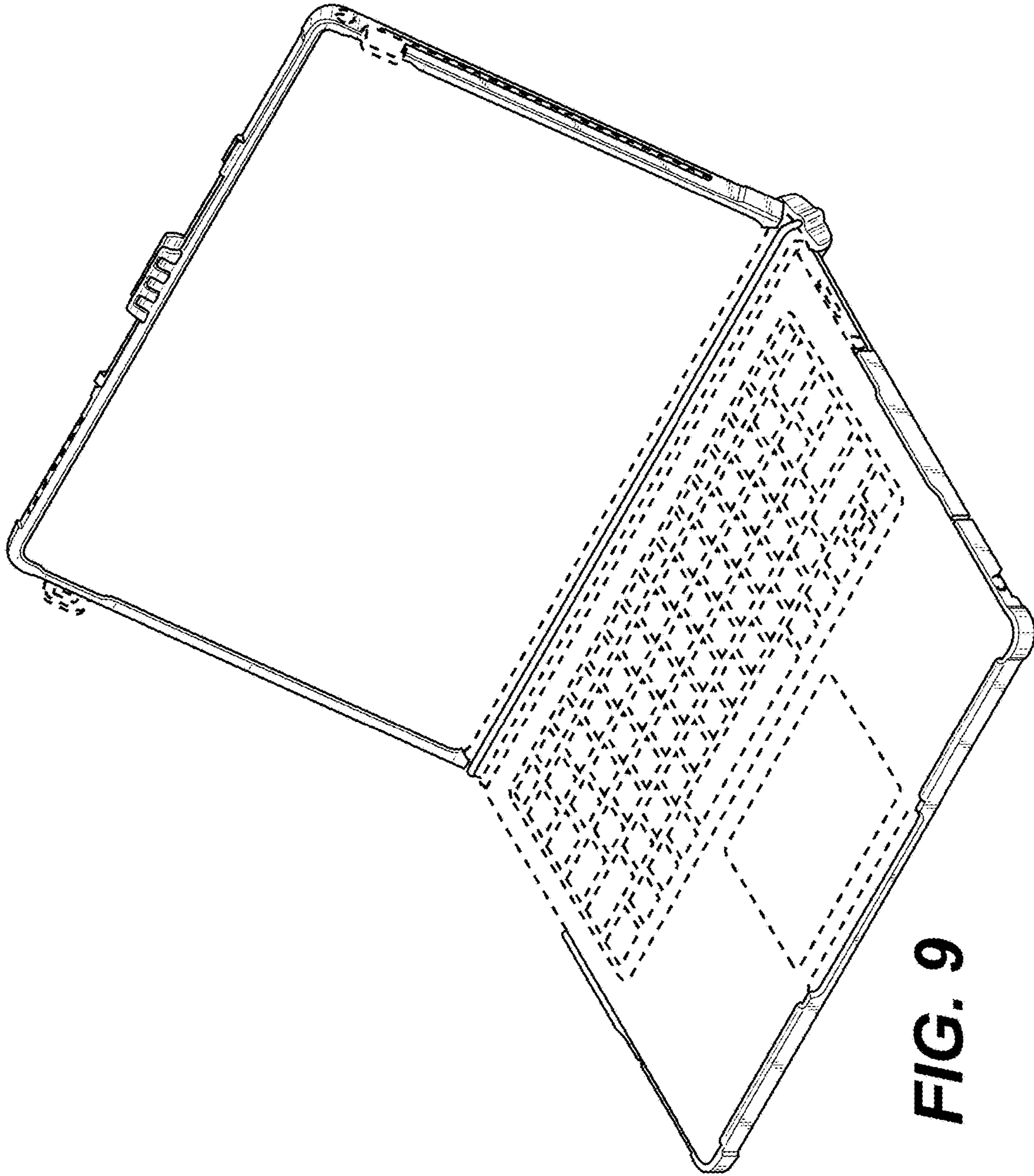


FIG. 9

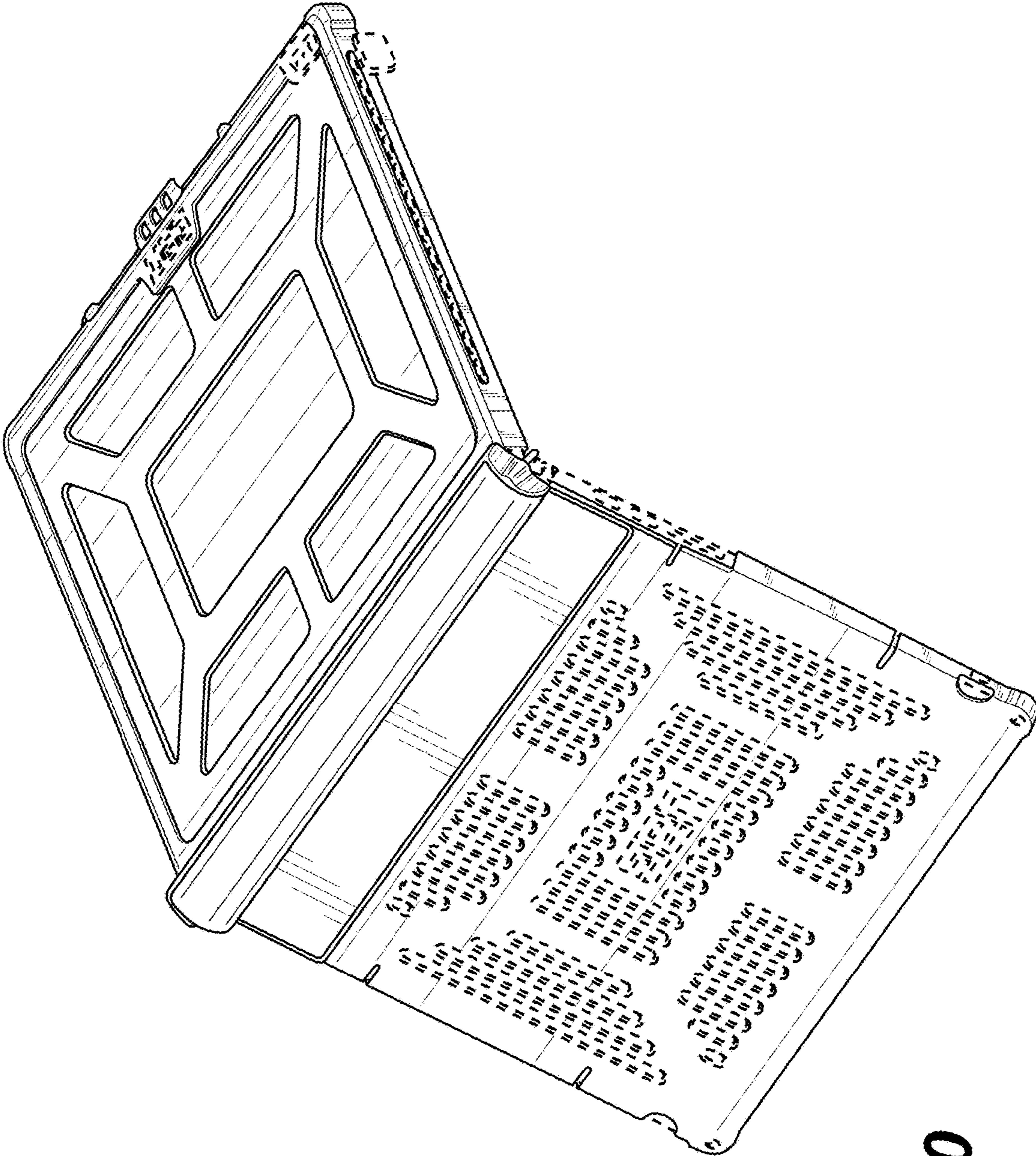


FIG. 10

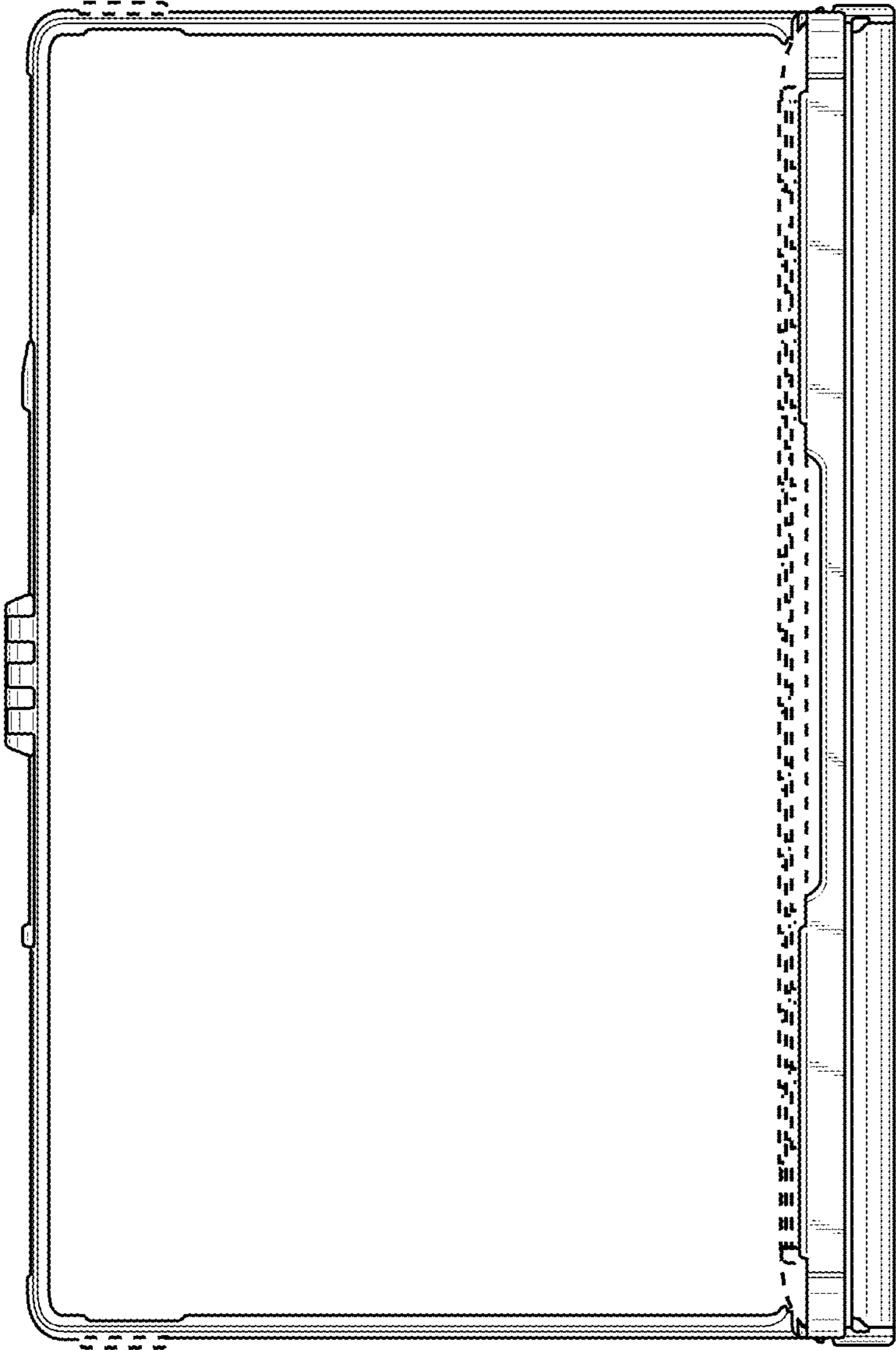


FIG. 11

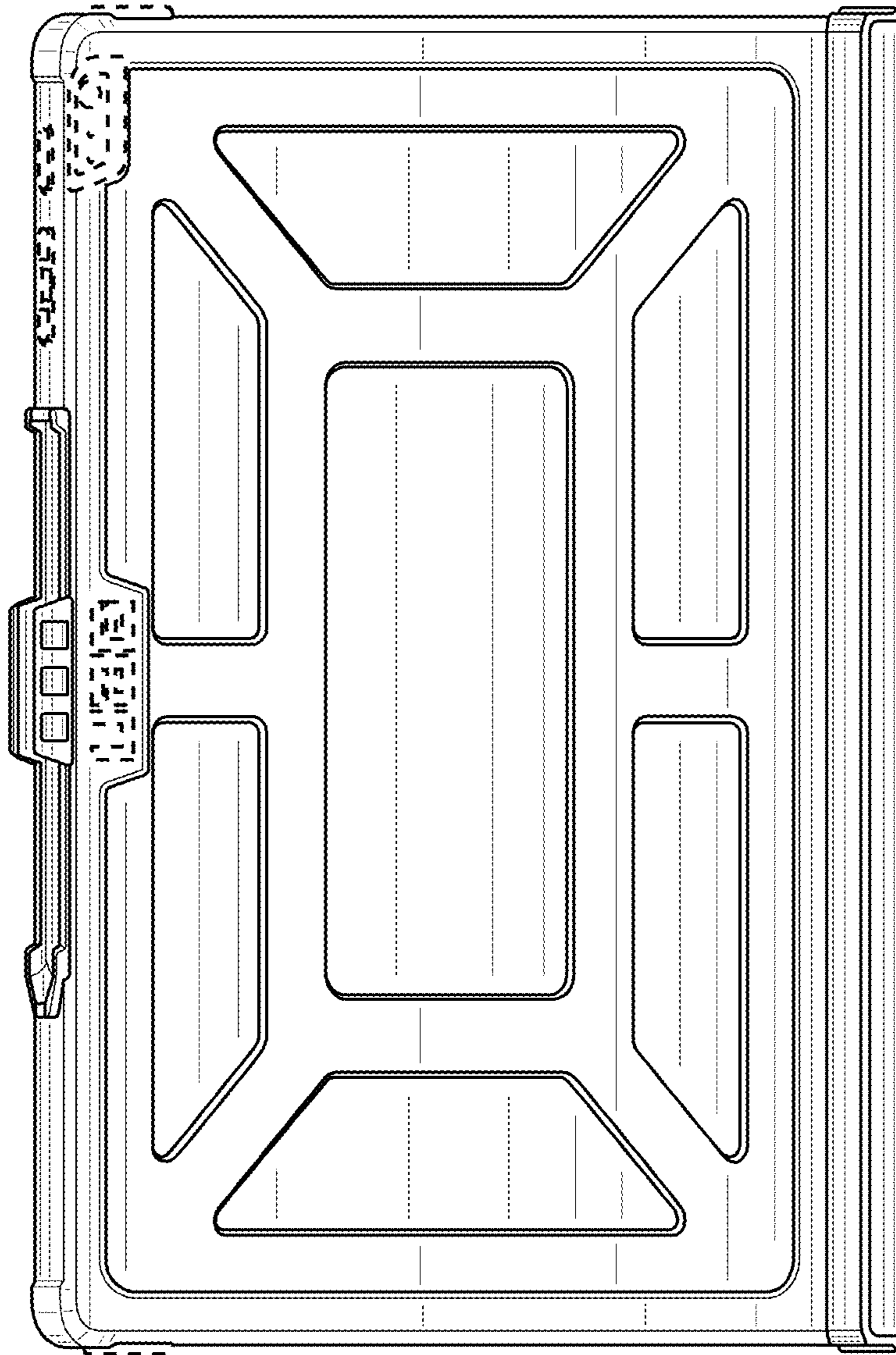


FIG. 12

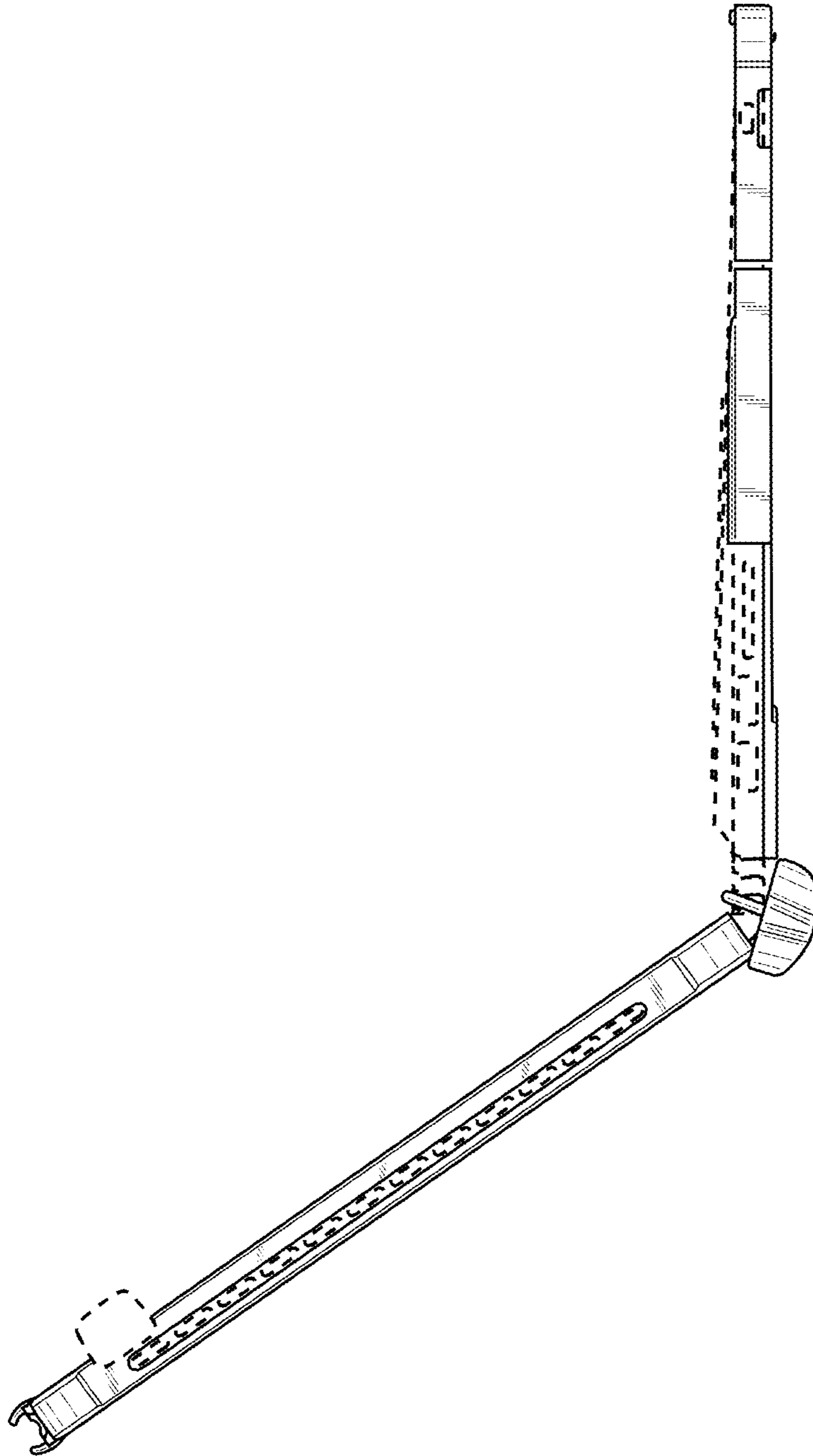


FIG. 13

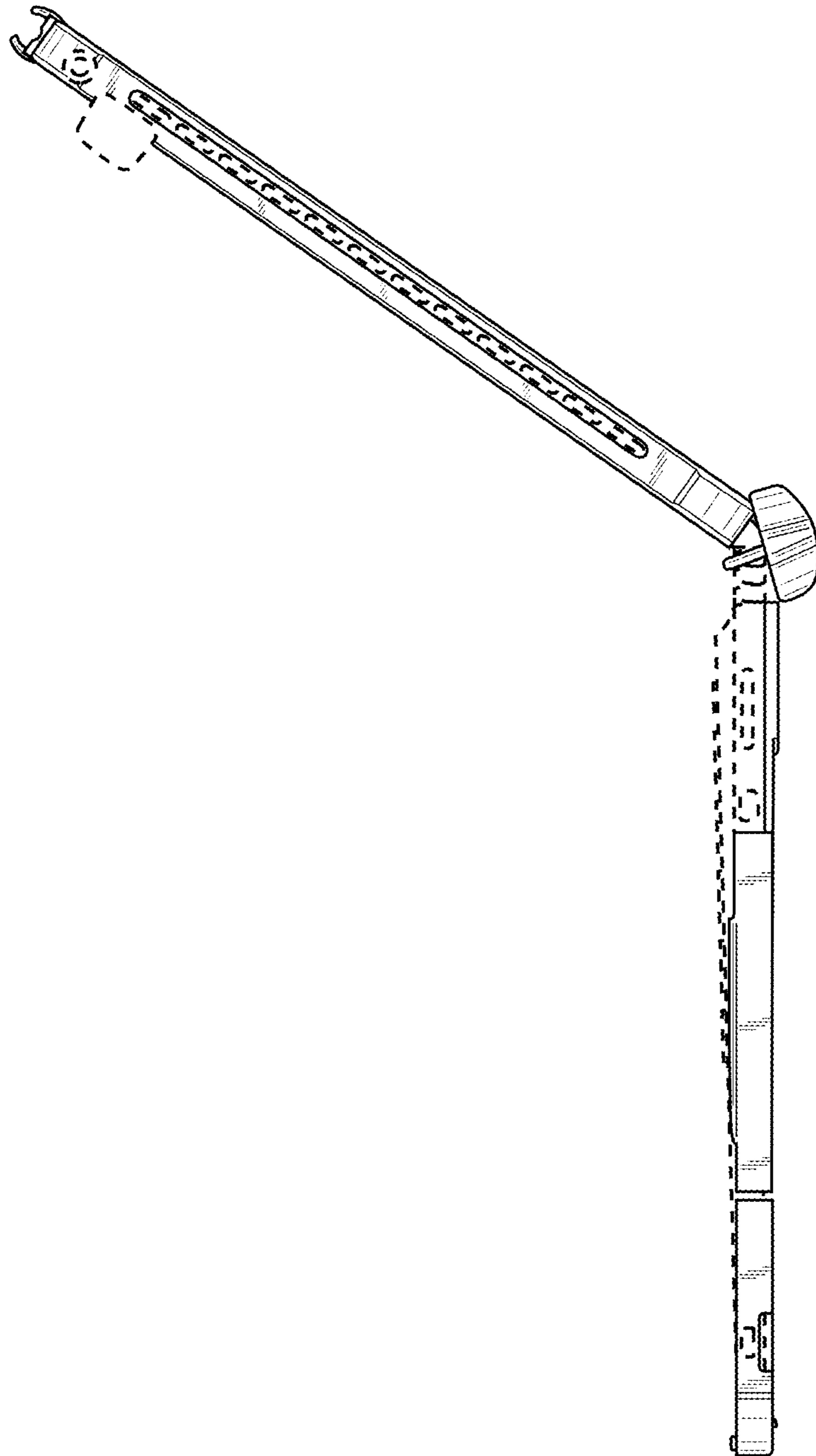


FIG. 14

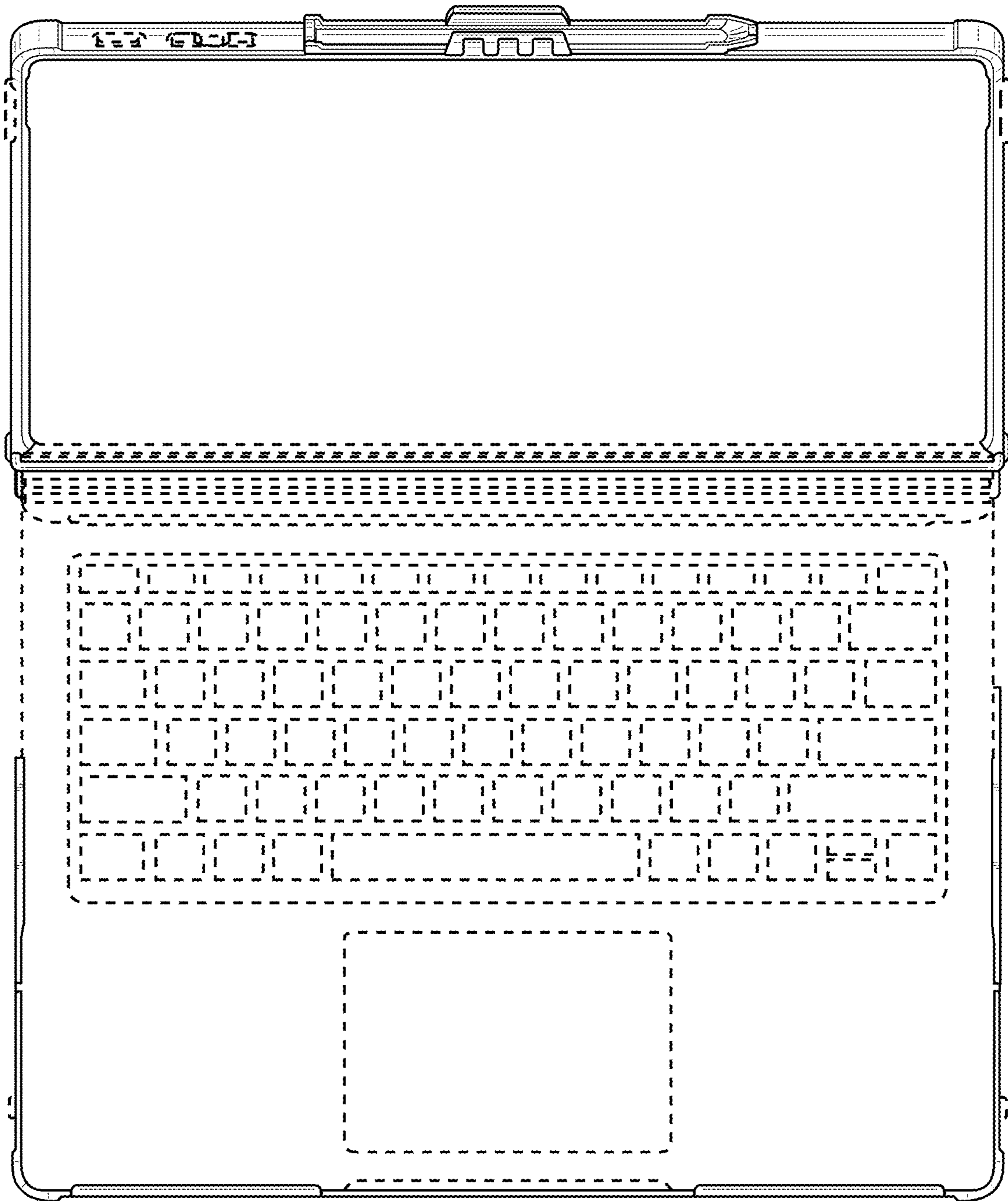


FIG. 15

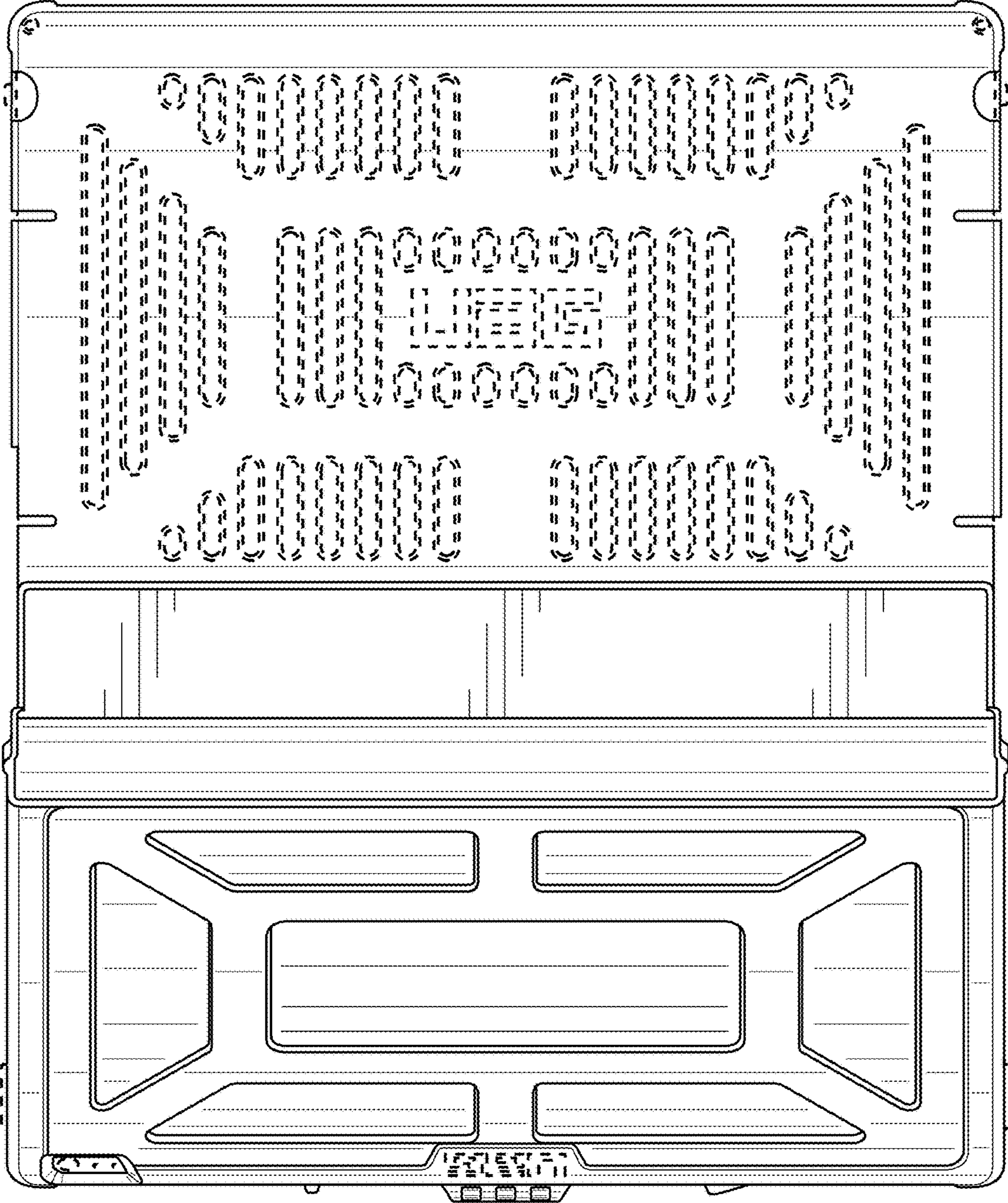


FIG. 16