



US00D804465S

(12) **United States Design Patent**
Riggs

(10) **Patent No.:** **US D804,465 S**

(45) **Date of Patent:** **** Dec. 5, 2017**

(54) **AFTERMARKET HEAD UNIT
INSTALLATION KIT**

(71) Applicant: **AAMP of Florida, Inc.**, Clearwater, FL
(US)

(72) Inventor: **Brett D. Riggs**, Yorba Linda, CA (US)

(73) Assignee: **AAMP of Florida, Inc.**, Clearwater, FL
(US)

(**) Term: **15 Years**

(21) Appl. No.: **29/574,141**

(22) Filed: **Aug. 12, 2016**

(51) **LOC (10) Cl.** **14-03**

(52) **U.S. Cl.**
USPC **D14/258; D12/192**

(58) **Field of Classification Search**
USPC D12/192, 195, 415, 420; D14/496,
D14/498-506, 154, 157, 168-171,
D14/188-198, 257-258; 248/27.1, 27.3,
248/558; 455/347, 350
CPC B60R 11/02; B60K 37/04; B60K 37/06;
H04B 1/08; H04B 1/082
See application file for complete search history.

(56) **References Cited**

U.S. PATENT DOCUMENTS

D555,647 S * 11/2007 Quilling, II D14/258
D566,701 S * 4/2008 Quilling, II D14/258

D604,286 S * 11/2009 Fiore, IV D14/258
D639,288 S * 6/2011 Fiore, IV D14/258
D639,294 S * 6/2011 Quilling, II D14/258
D725,095 S * 3/2015 Fiore, IV D14/258
D766,231 S * 9/2016 Indrunas D14/258

OTHER PUBLICATIONS

“2010 Camaro,” General Motors, 2009.

* cited by examiner

Primary Examiner — Sandra L Morris

(74) *Attorney, Agent, or Firm* — Weiss & Arons LLP

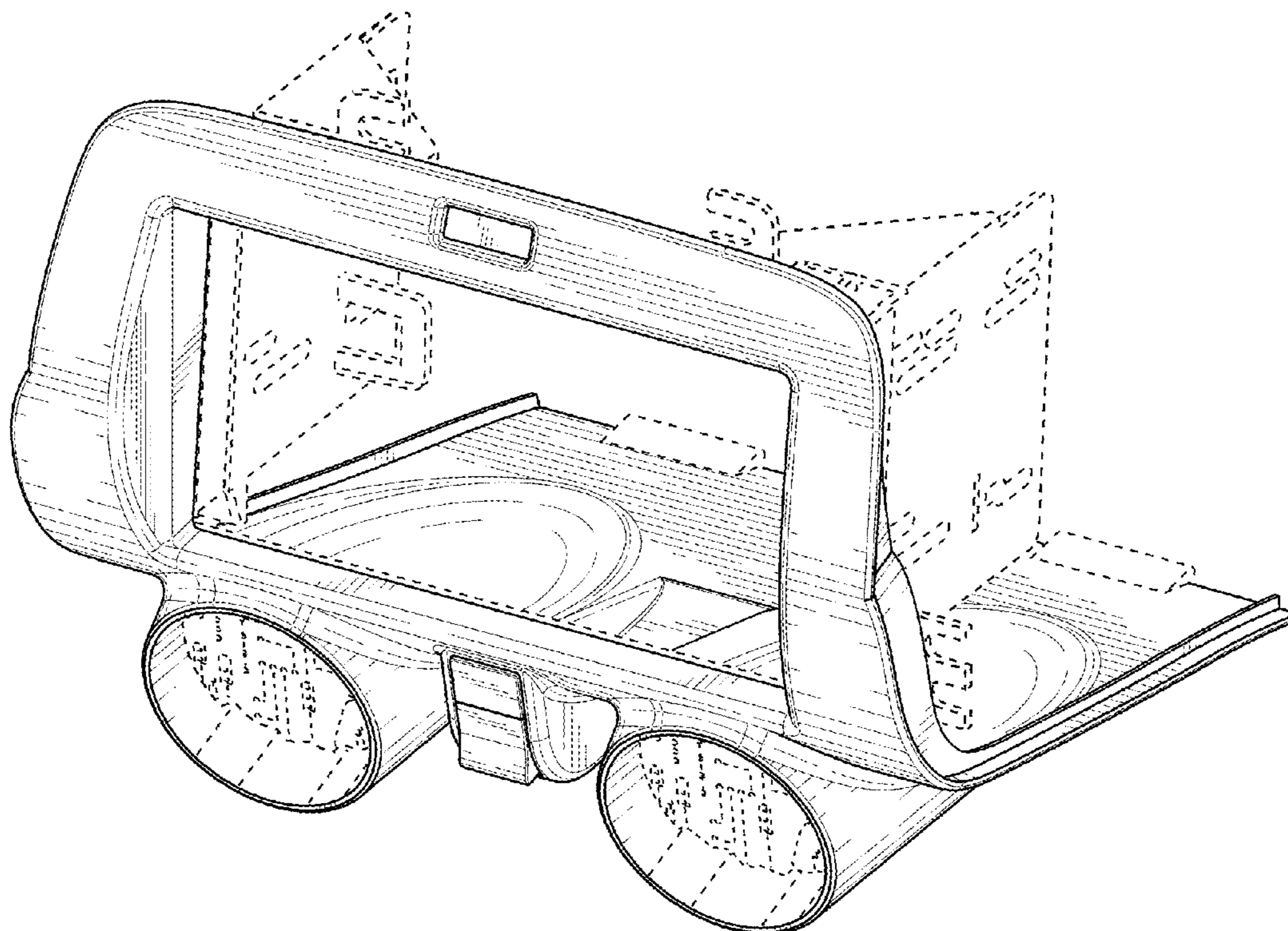
(57) **CLAIM**

The ornamental design for an aftermarket head unit installation kit, as shown and described.

DESCRIPTION

FIG. 1 is a top, front, right perspective view of an aftermarket head unit installation kit showing my new design; FIG. 2 is a right side elevational view thereof; FIG. 3 is a left side elevational view thereof; FIG. 4 is a front elevational view thereof; FIG. 5 is a back elevational view thereof; FIG. 6 is a top plan view thereof; and, FIG. 7 is a bottom plan view thereof. The broken line showing of the environment is for illustrative purposes only and forms no part of the claimed design.

1 Claim, 7 Drawing Sheets



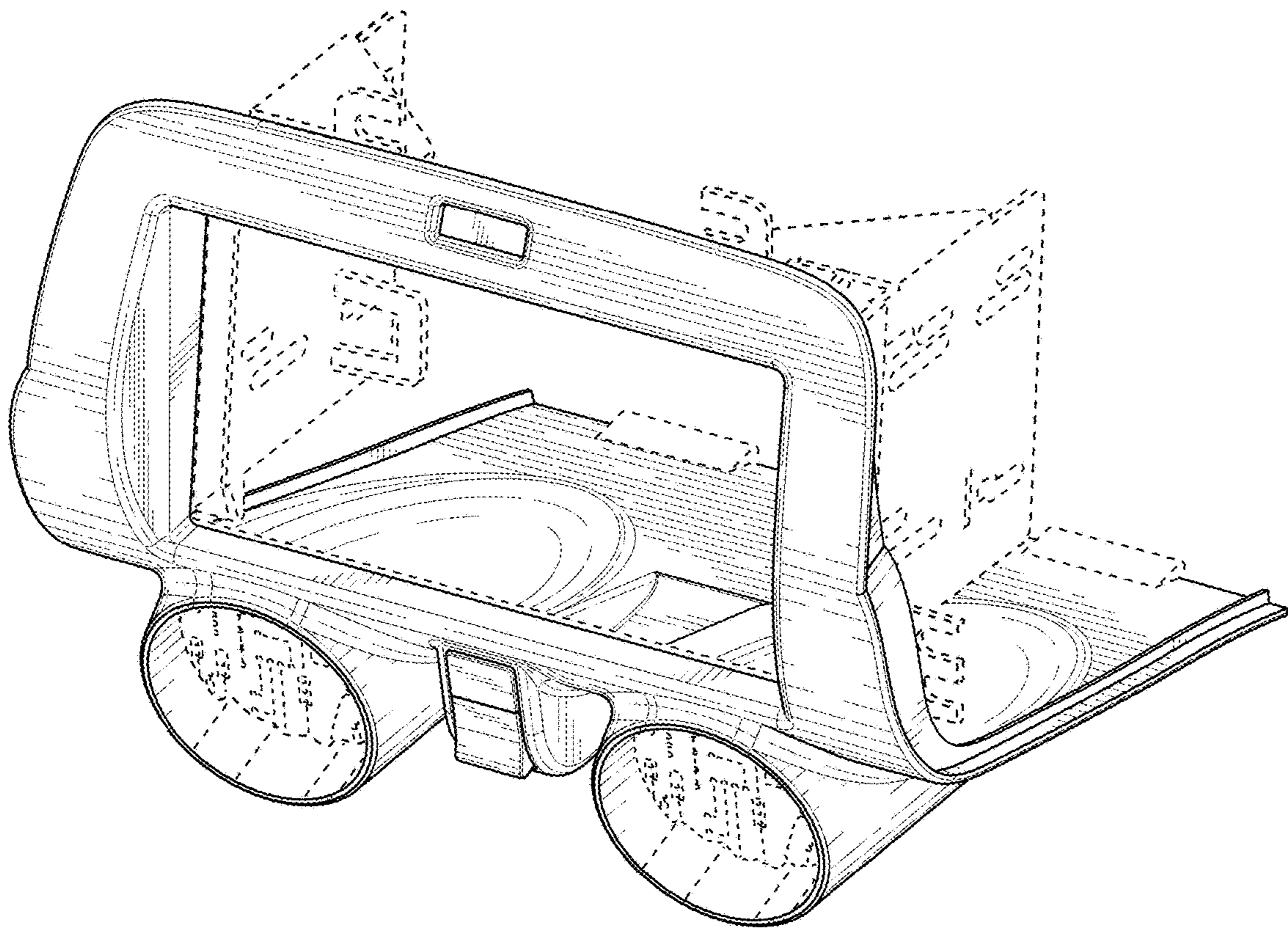


FIG. 1

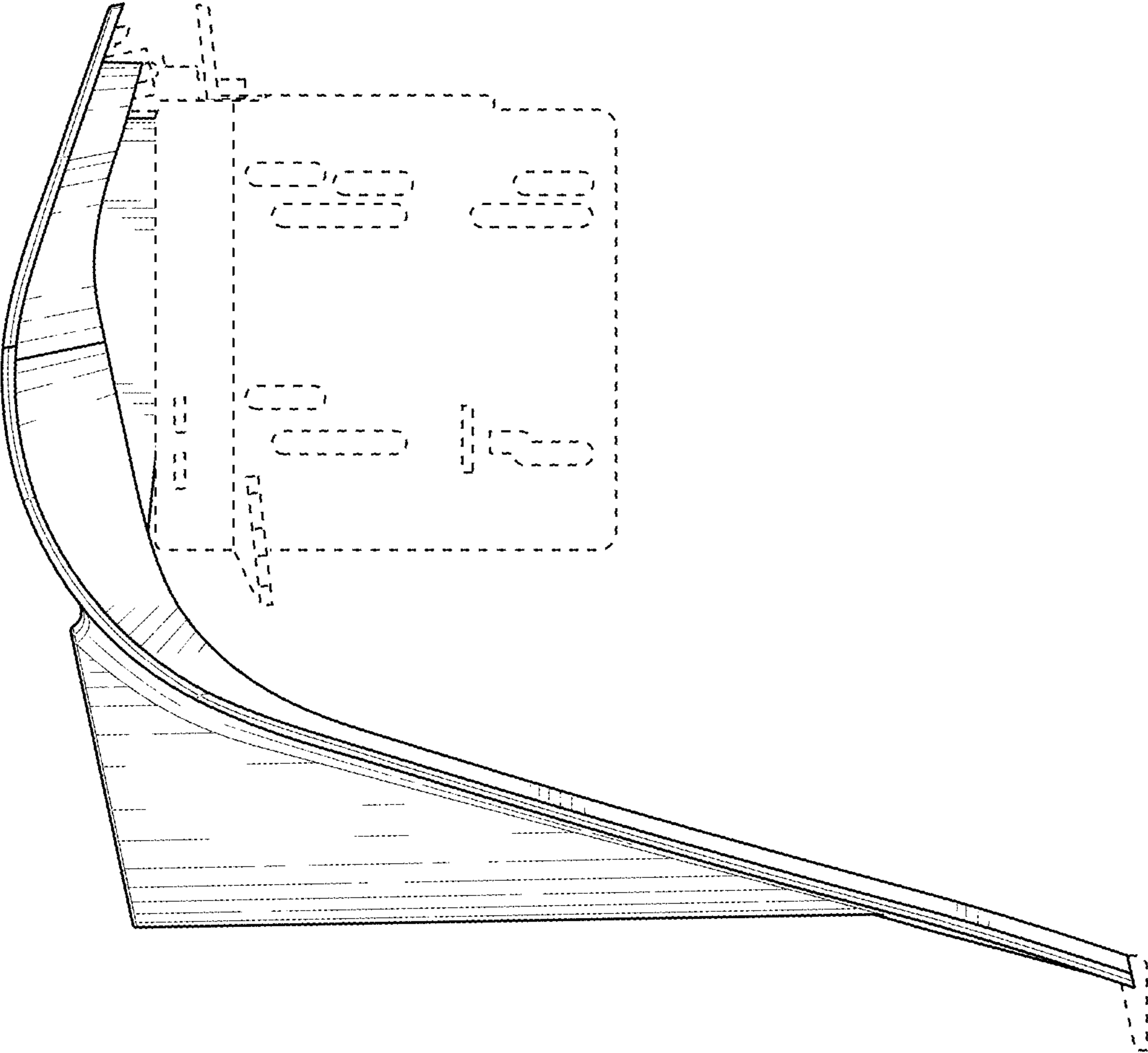


FIG. 2

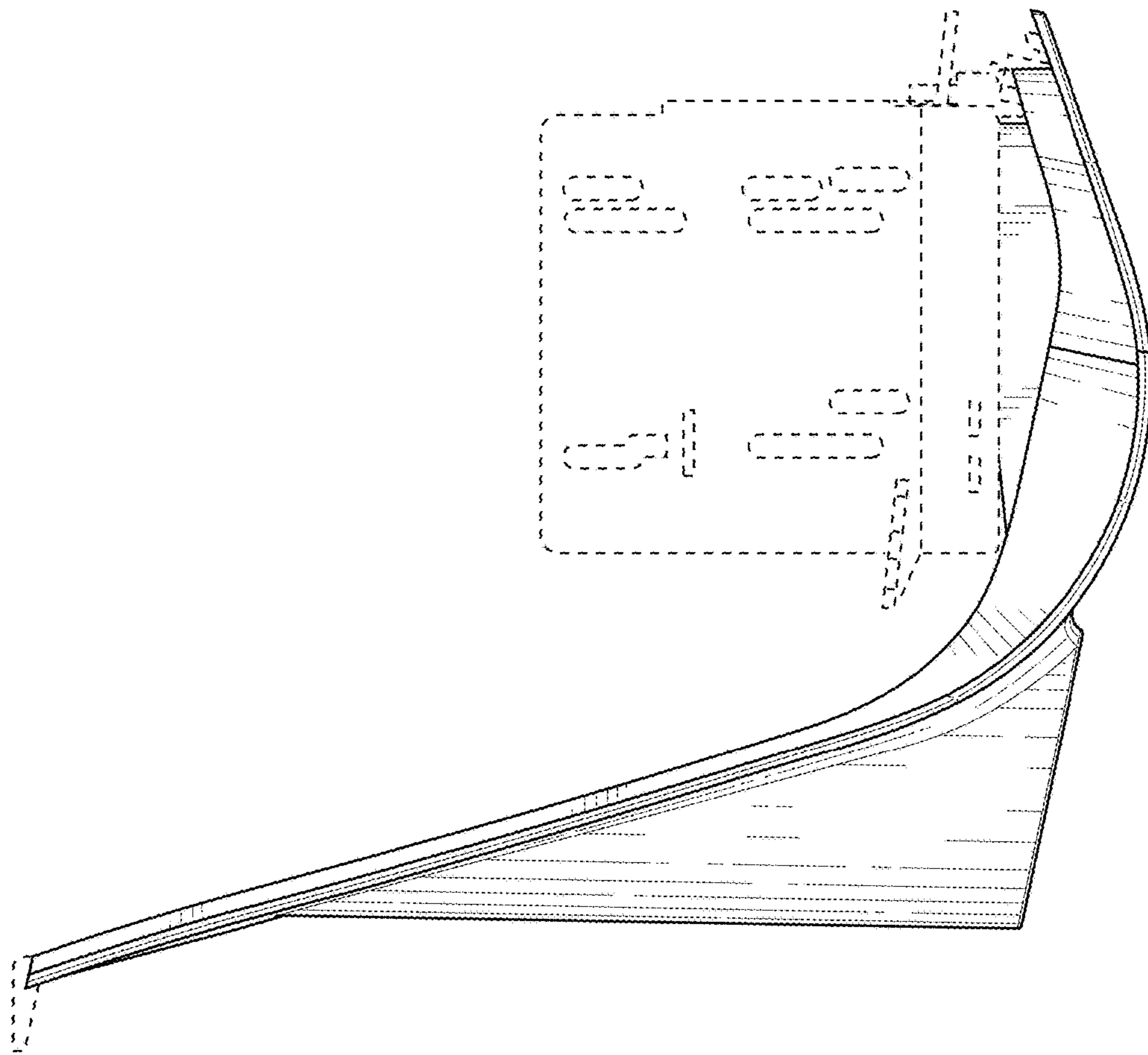


FIG. 3

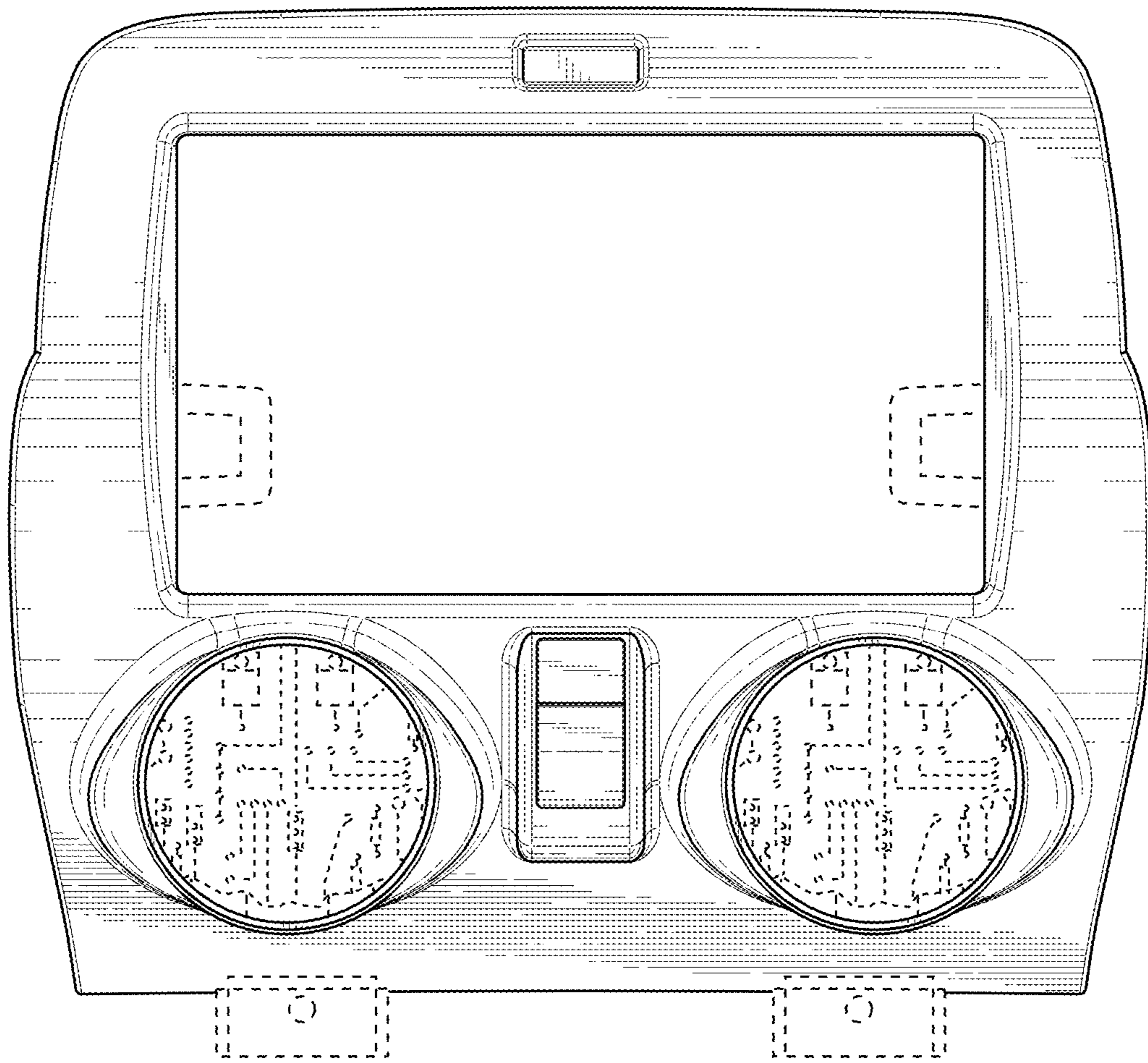


FIG. 4

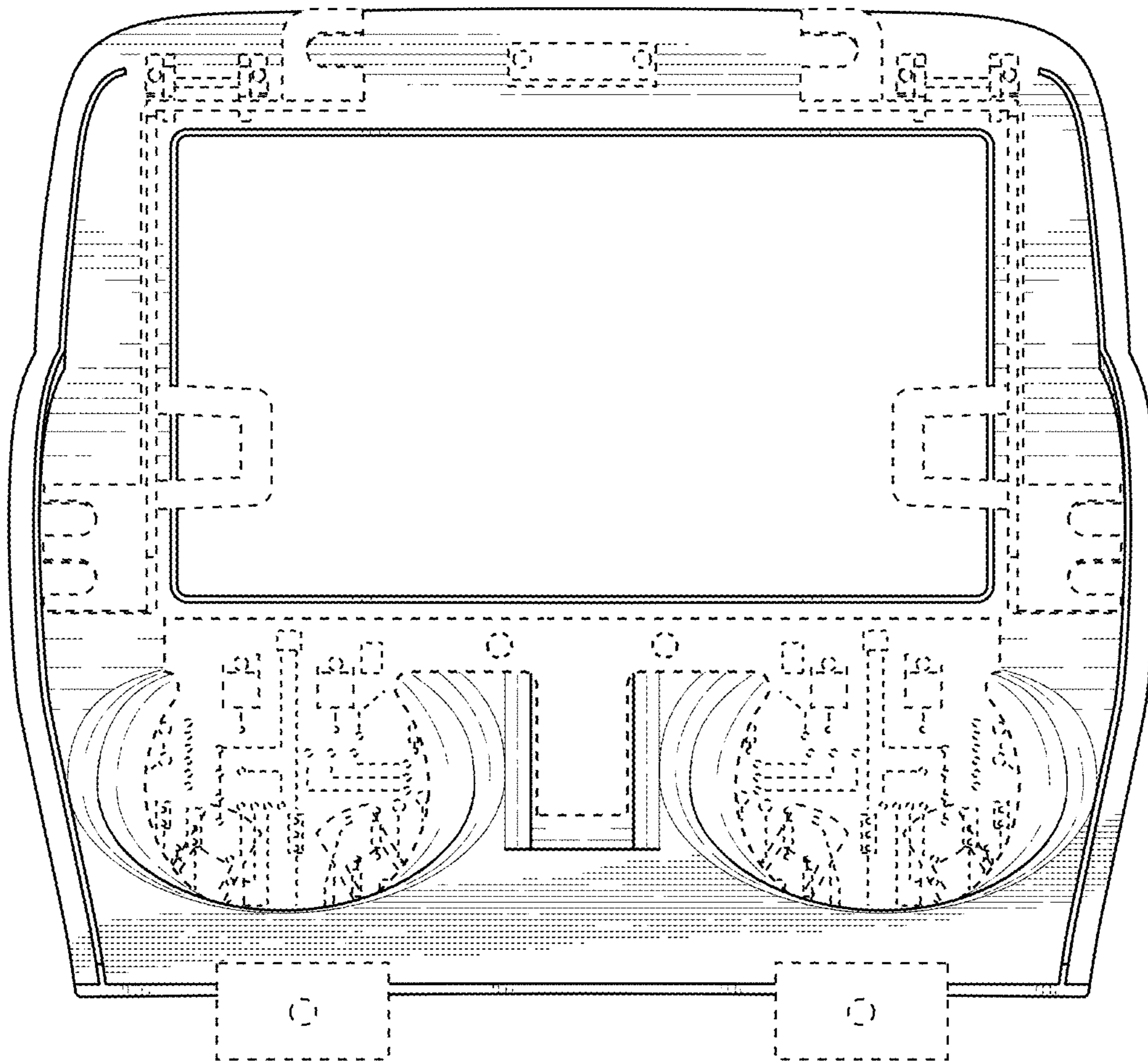


FIG. 5

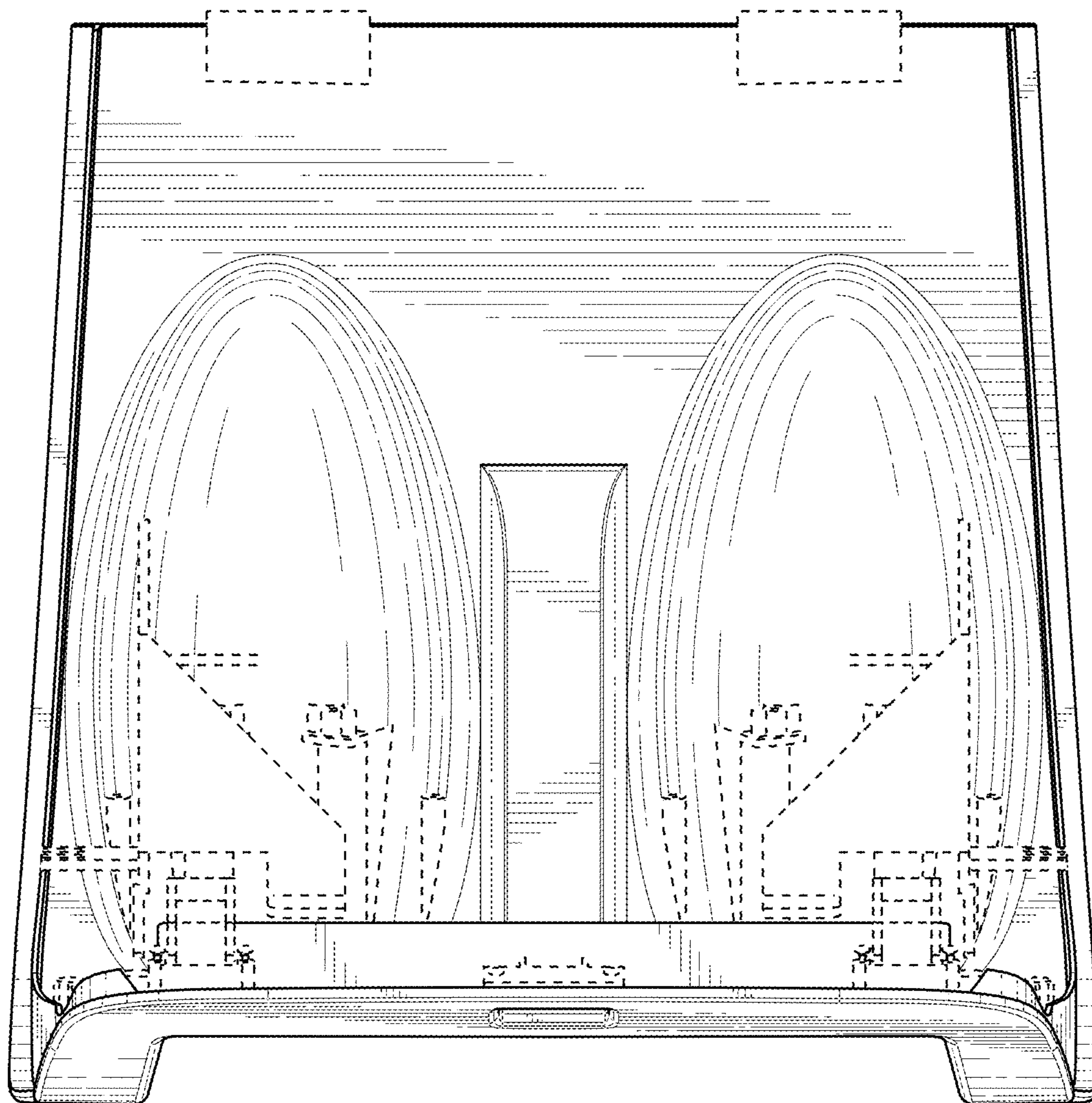


FIG. 6

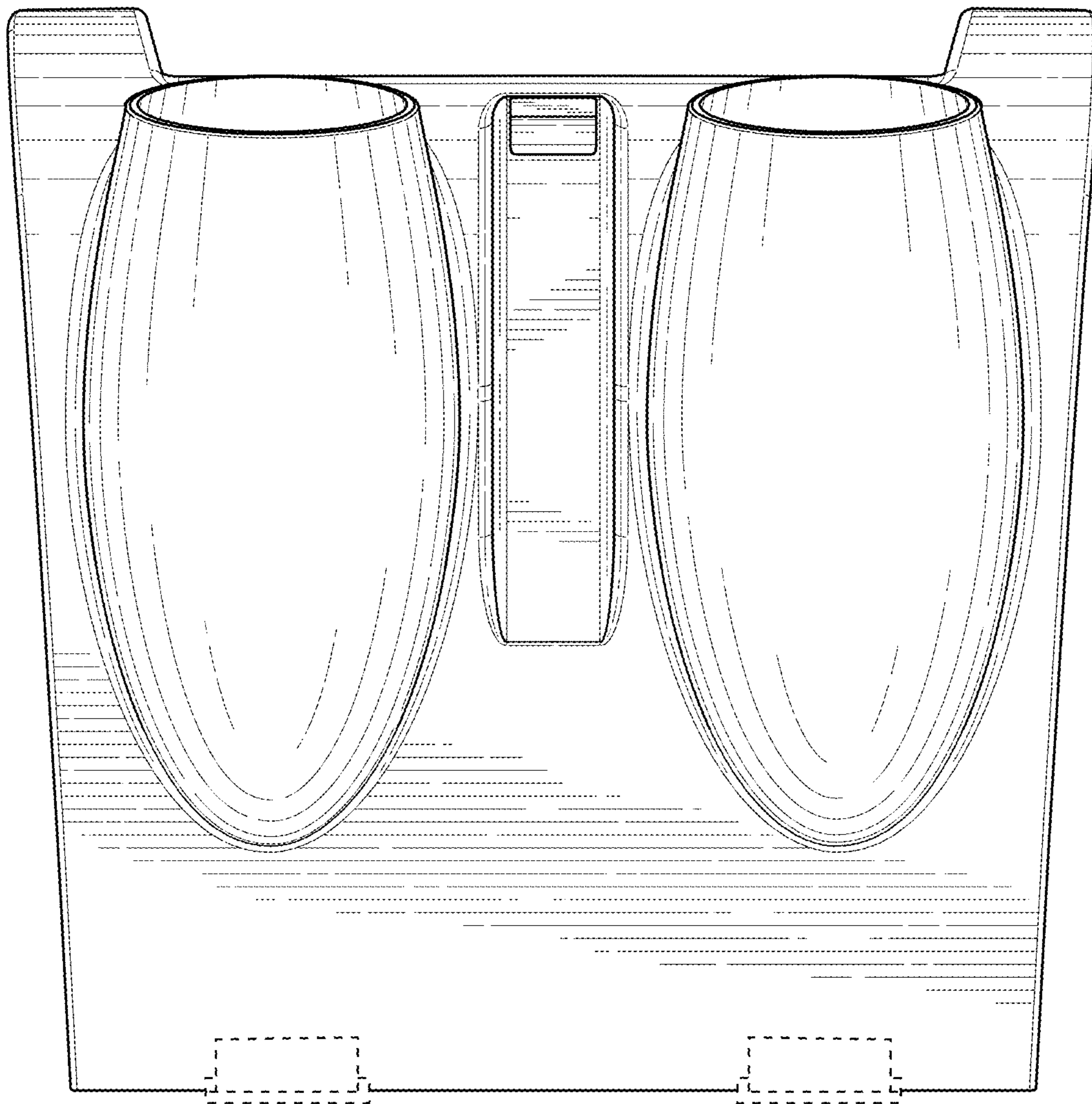


FIG. 7