



US00D804455S

(12) **United States Design Patent**
Hsieh et al.

(10) **Patent No.:** **US D804,455 S**

(45) **Date of Patent:** **** Dec. 5, 2017**

- (54) **EARPHONE**
- (71) Applicants: **1MORE INC.**, Shenzhen, Guangdong (CN); **BEIJING XIAOMI MOBILE SOFTWARE CO., LTD.**, Beijing (CN)
- (72) Inventors: **Kuan-Hong Hsieh**, Guangdong (CN); **Shichen Xu**, Guangdong (CN); **Yonghui Hu**, Guangdong (CN); **Kun-Chih Hsieh**, Guangdong (CN)
- (73) Assignees: **1More Inc.**, Shenzhen (CN); **Beijing Xiaomi Mobile Software Co., Ltd.**, Beijing (CN)

(**) Term: **15 Years**

(21) Appl. No.: **29/575,205**

(22) Filed: **Aug. 23, 2016**

(30) **Foreign Application Priority Data**

Mar. 25, 2016 (CN) 2016 3 0091675

(51) **LOC (10) Cl.** **14-01**

(52) **U.S. Cl.**
USPC **D14/223; D14/205**

(58) **Field of Classification Search**
USPC D14/223, 205; 181/129, 130, 135; 379/430, 431; 381/380, 381, 384, 322, 381/312, 324, 328, 329, 330; 455/90.3, 455/575.1, 569.1
CPC H04R 1/10; H04R 25/00; H04R 1/1066; H04R 1/1016; H04R 25/02; H04R 5/033; H04R 5/0335
See application file for complete search history.

(56) **References Cited**

U.S. PATENT DOCUMENTS

- 1,556,775 A * 10/1925 Fensky G10K 11/08 181/130
- 2,262,568 A * 11/1941 Wade A61F 11/08 128/864

- 2,513,985 A * 7/1950 Woodruff H04R 1/1008 181/130
- 2,804,932 A * 9/1957 Bedard H04R 25/652 181/132
- D213,448 S * 3/1969 Giller D24/174
- 3,508,678 A * 4/1970 Noren A61J 3/071 220/785
- D230,280 S * 2/1974 Nygard D24/174
- 3,811,437 A * 5/1974 Gardner, Jr. A61F 11/10 128/864
- 4,937,876 A * 6/1990 Biermans H04R 25/604 181/130
- 5,343,539 A * 8/1994 Chan G06T 9/005 348/421.1
- 5,420,935 A * 5/1995 Shinohara H04R 1/1016 379/431
- D464,039 S * 10/2002 Boesen D14/223
- D473,859 S * 4/2003 Rivera D14/223
- 6,574,345 B1 * 6/2003 Huang H04R 1/1016 379/430

(Continued)

Primary Examiner — Paula Allen Greene

(74) *Attorney, Agent, or Firm* — Ladas & Parry LLP

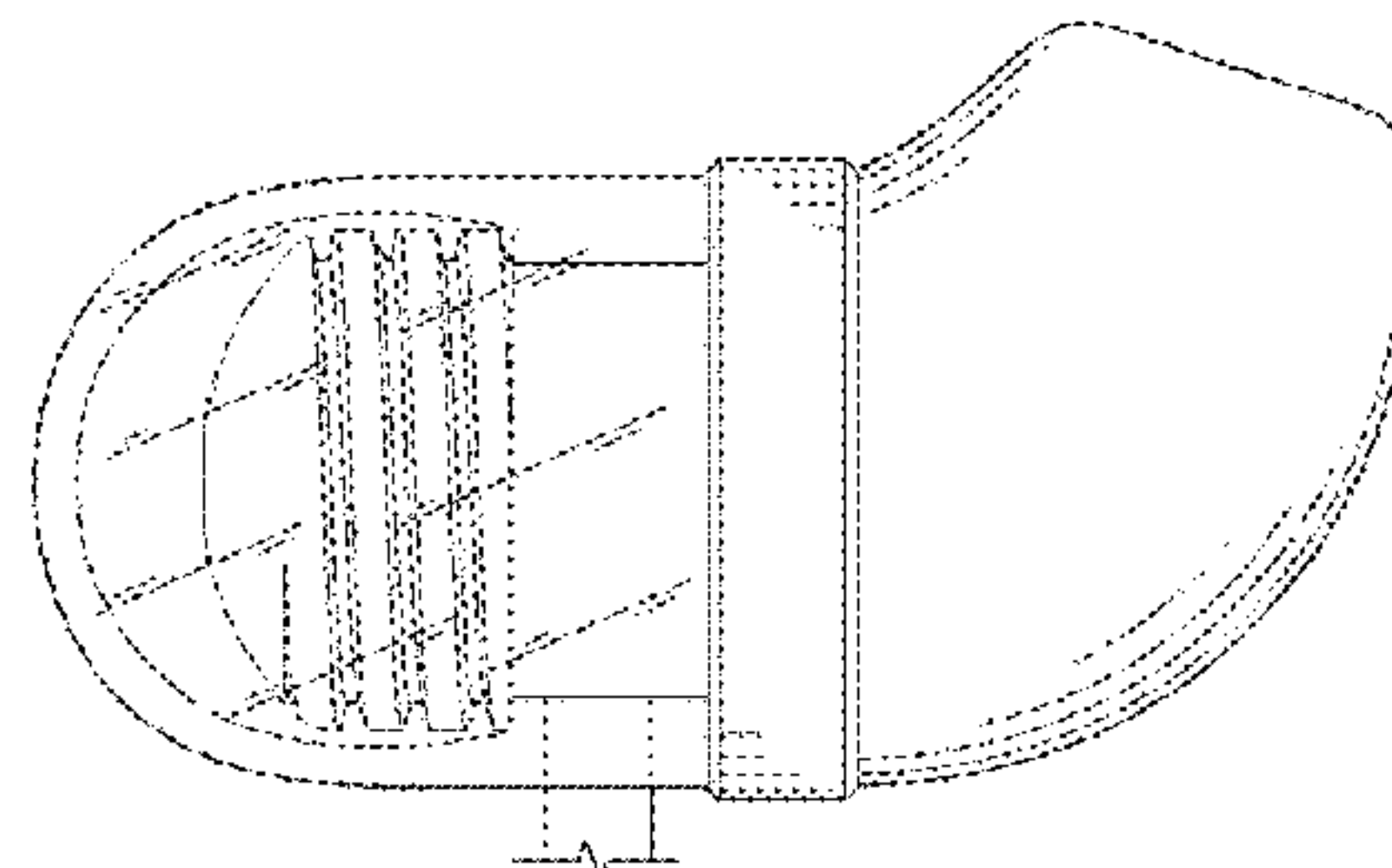
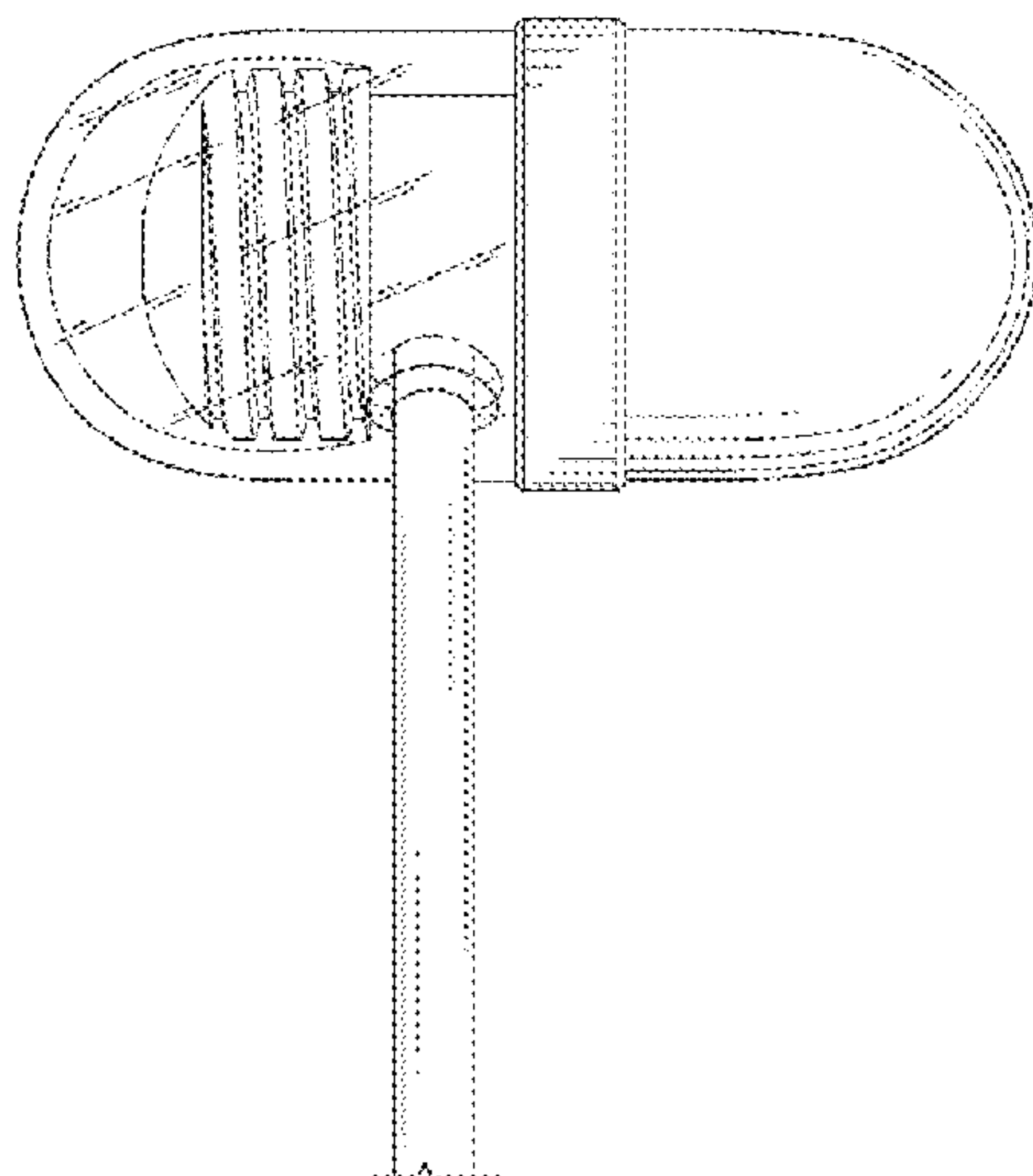
(57) **CLAIM**

The ornamental design for an earphone, as shown and described.

DESCRIPTION

FIG. 1 is a front elevational view of an earphone showing my new design, the cord is drawn with a break line in its length for illustrative purposes; FIG. 2 is a rear elevational view thereof; FIG. 3 is a left-side elevational view thereof; FIG. 4 is a right-side elevational view thereof; FIG. 5 is a top plan view thereof; FIG. 6 is a bottom plan view thereof; and, FIG. 7 is a perspective view thereof.

1 Claim, 7 Drawing Sheets



(56)

References Cited

U.S. PATENT DOCUMENTS

6,656,501 B1 * 12/2003 Cooker A61K 9/4808
 424/400
 D487,077 S * 2/2004 Obata D14/223
 6,738,487 B1 * 5/2004 Nageno H04R 1/1016
 381/312
 D499,397 S * 12/2004 Hlas D14/223
 6,891,956 B2 * 5/2005 Heerlein H04R 25/654
 381/322
 D512,990 S * 12/2005 Yang D14/205
 D554,627 S * 11/2007 Gondo D14/223
 D564,495 S * 3/2008 Sasaki D14/205
 D567,217 S * 4/2008 Kamo D14/205
 D576,154 S * 9/2008 Ledbetter D14/223
 D586,333 S * 2/2009 Tkachuk D14/223
 D587,681 S * 3/2009 Yanai D14/205
 D591,721 S * 5/2009 Densho D14/205
 D602,905 S * 10/2009 Morisawa D14/205
 D605,182 S * 12/2009 Fagnot D14/223
 D616,874 S * 6/2010 Matsuoka D14/223
 D618,670 S * 6/2010 Tahara D14/223
 7,778,434 B2 * 8/2010 Juneau A61F 11/10
 381/322
 D627,766 S * 11/2010 Arimoto D14/223
 D633,086 S * 2/2011 Chen D14/223
 D637,181 S * 5/2011 Fuller D14/223
 D637,183 S * 5/2011 March D14/223
 D637,184 S * 5/2011 March D14/223

7,965,855 B1 * 6/2011 Ham H04R 1/1091
 181/130
 D641,738 S * 7/2011 Perez D14/223
 D641,739 S * 7/2011 Huang D14/223
 D648,708 S * 11/2011 Katsuraku D14/223
 D662,493 S * 6/2012 Chen D14/223
 8,204,268 B2 * 6/2012 Li H04R 1/1041
 381/379
 D664,523 S * 7/2012 Naitou D14/223
 8,290,193 B2 * 10/2012 Pang H04R 1/1033
 381/370
 D671,531 S * 11/2012 Kim D14/223
 D678,251 S * 3/2013 Cantoni D14/223
 8,477,978 B2 * 7/2013 Caldarola H04R 5/02
 181/130
 D762,616 S * 8/2016 Hsieh D14/205
 D778,268 S * 2/2017 Hsieh D14/223
 2007/0154042 A1 * 7/2007 Buckley B65D 85/38
 381/322
 2011/0031060 A1 * 2/2011 Epping H04R 1/2803
 181/135
 2011/0110552 A1 * 5/2011 Pang H04R 1/1033
 381/374
 2013/0056295 A1 * 3/2013 Campbell H04R 25/652
 181/135
 2013/0259286 A1 * 10/2013 Chung H04R 1/1016
 381/380
 2014/0226833 A1 * 8/2014 Fukushima H04R 1/1075
 381/74

* cited by examiner

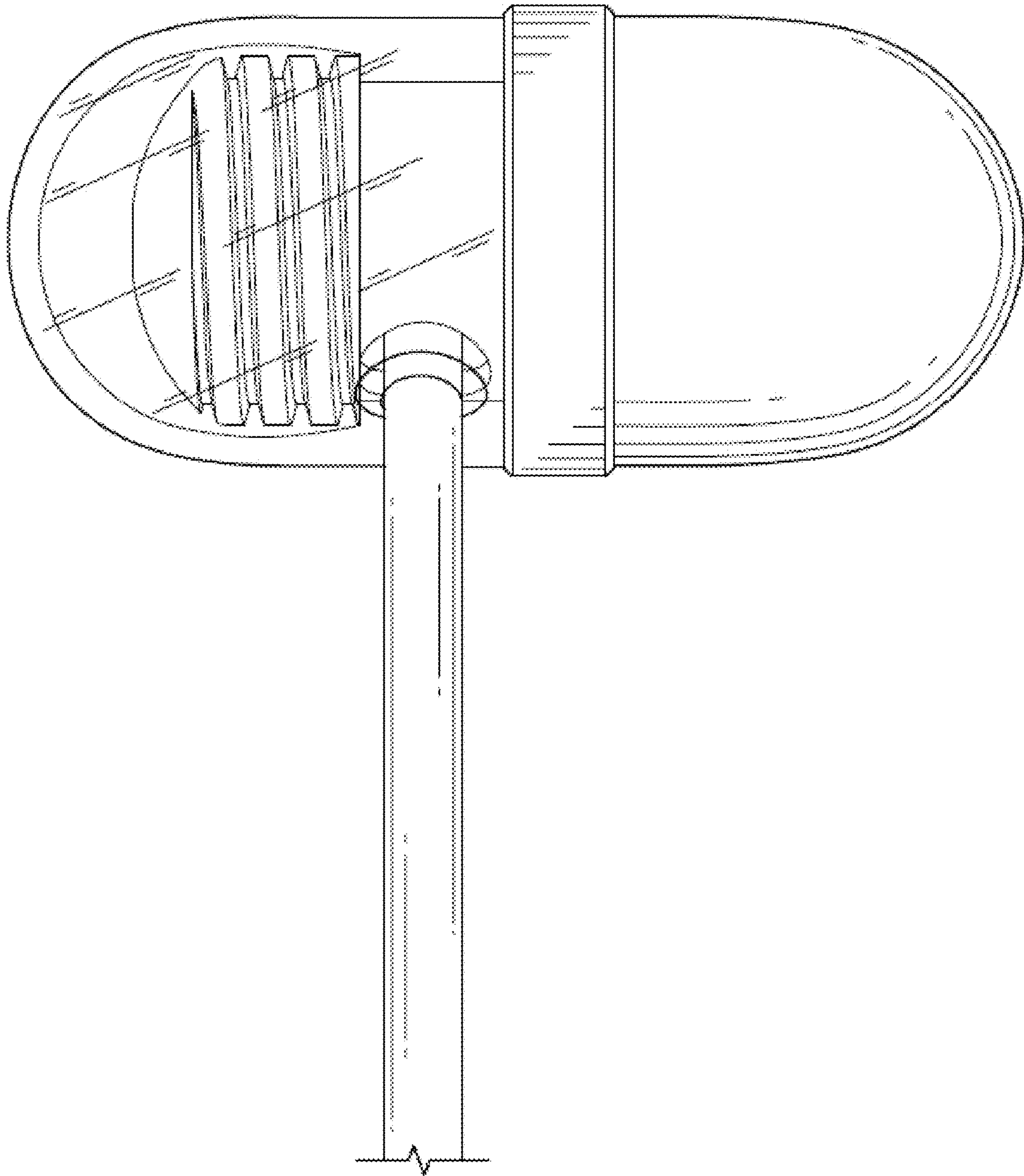


FIG. 1

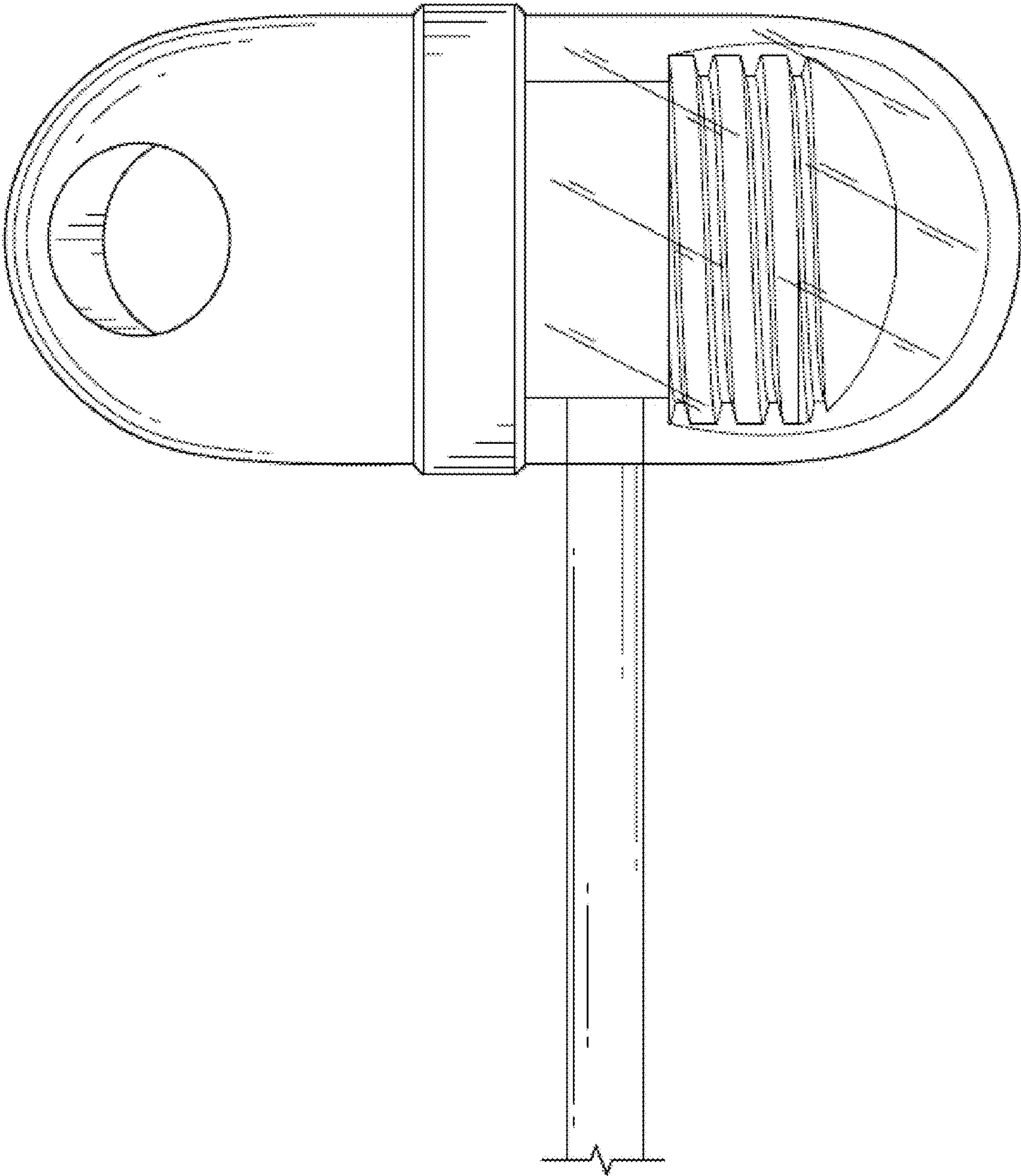


FIG. 2

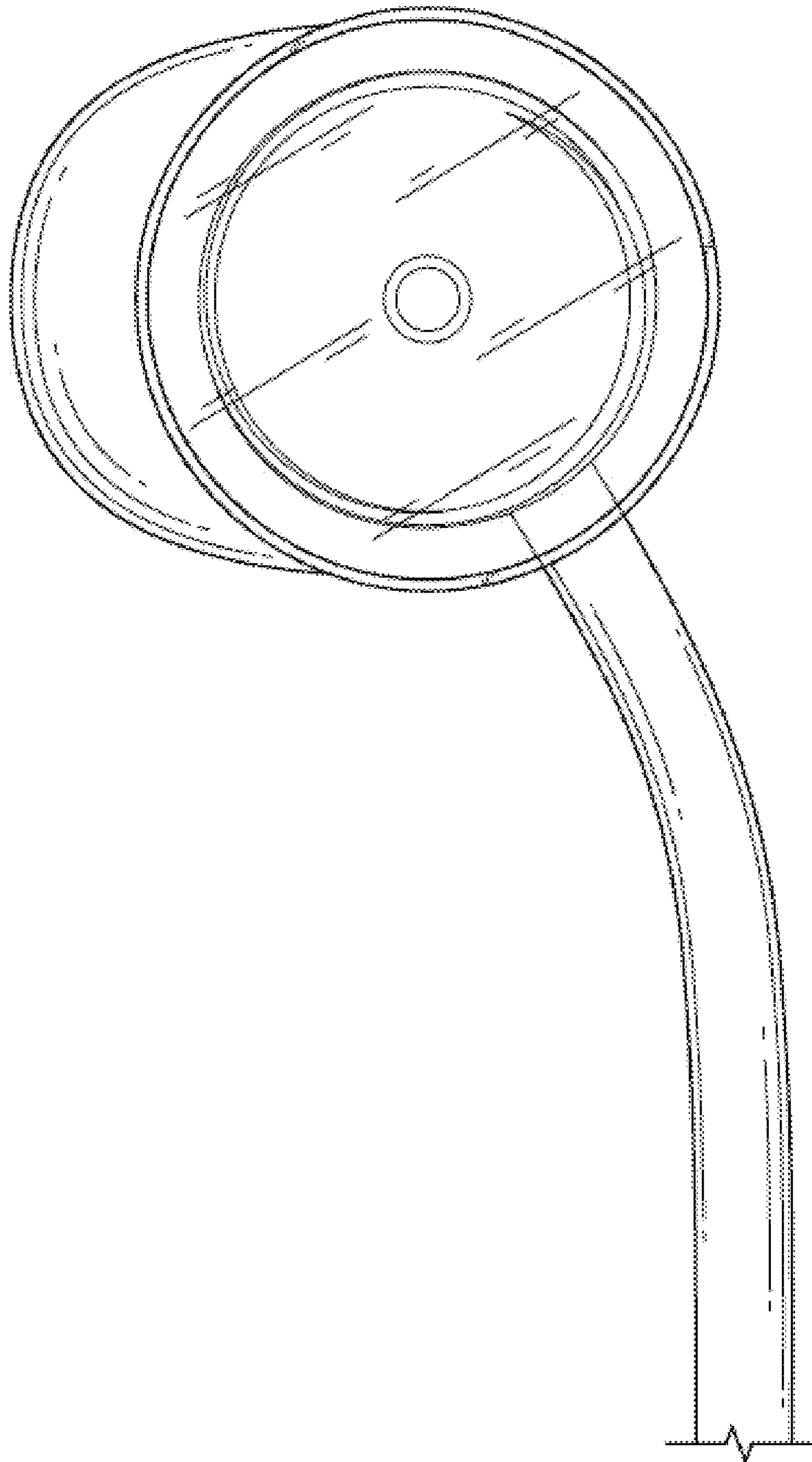


FIG. 3

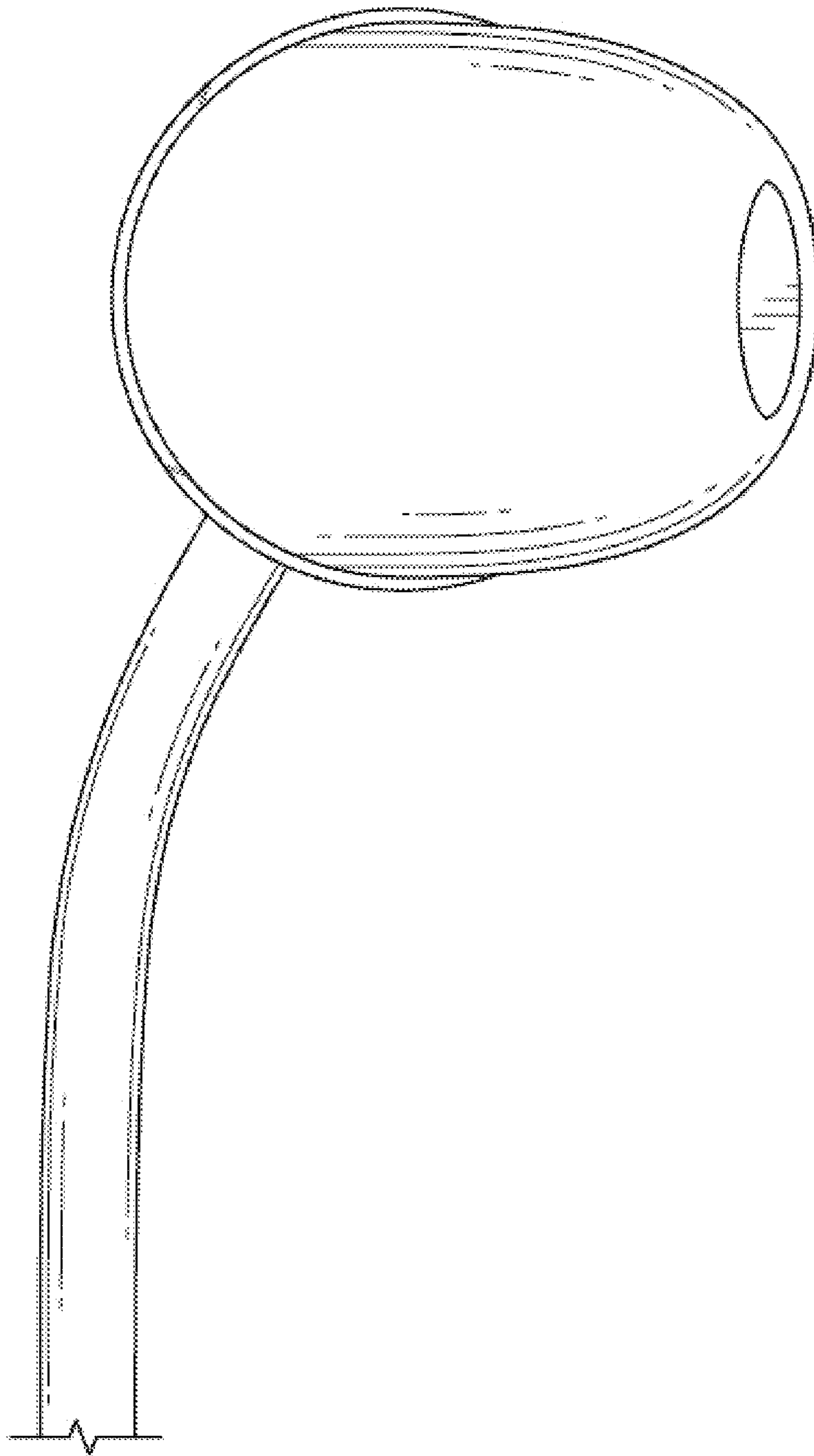


FIG. 4

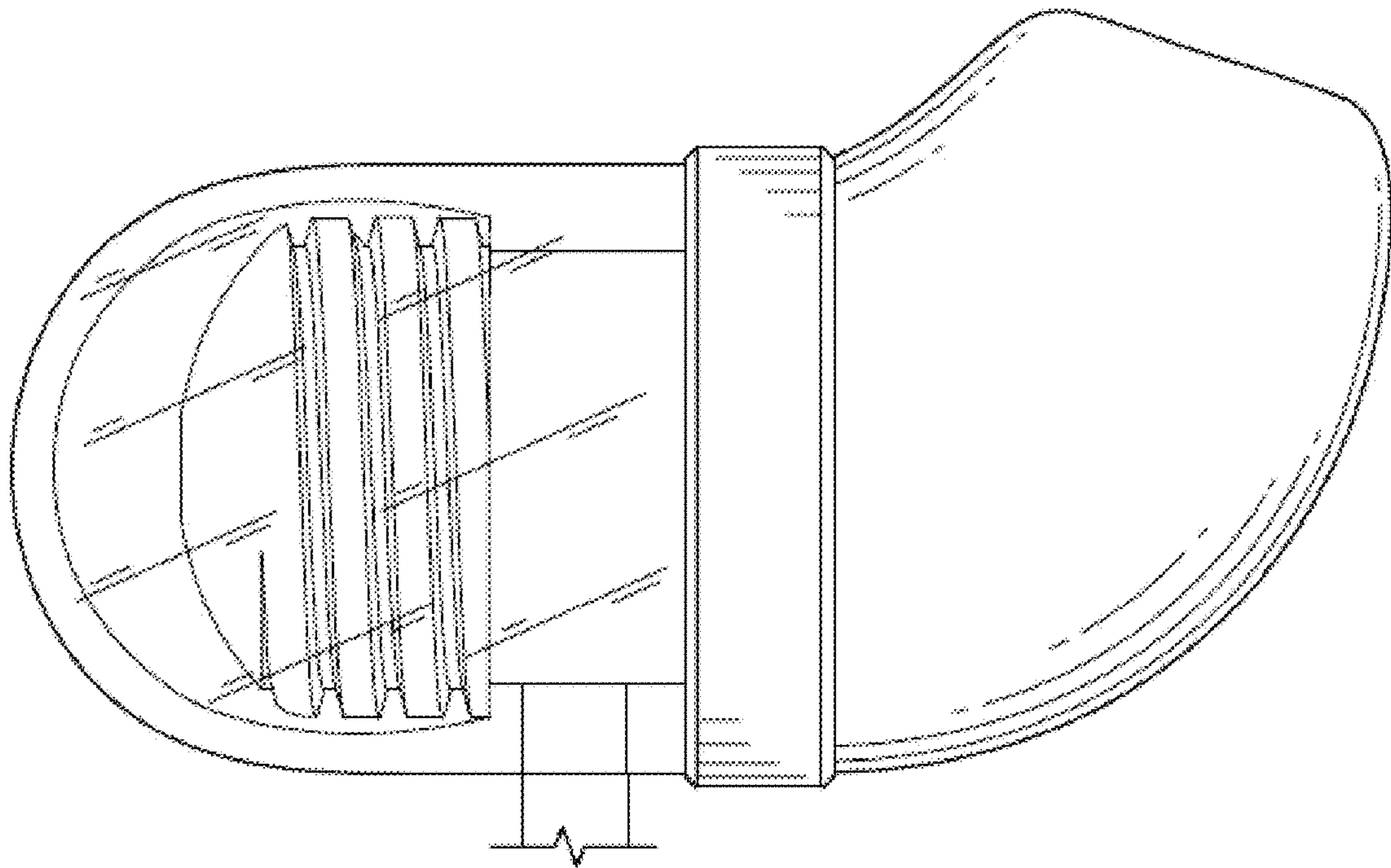


FIG. 5

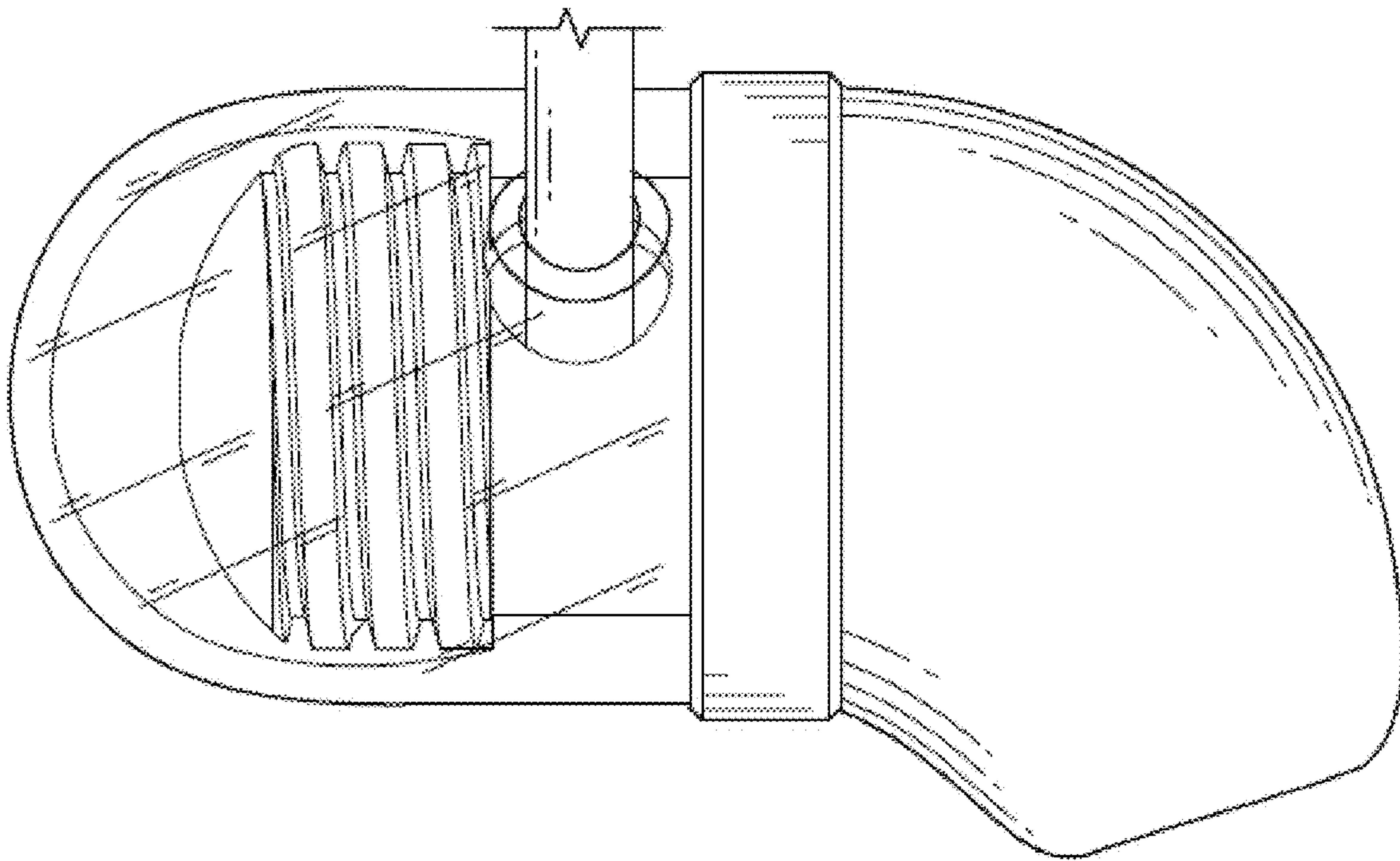


FIG. 6

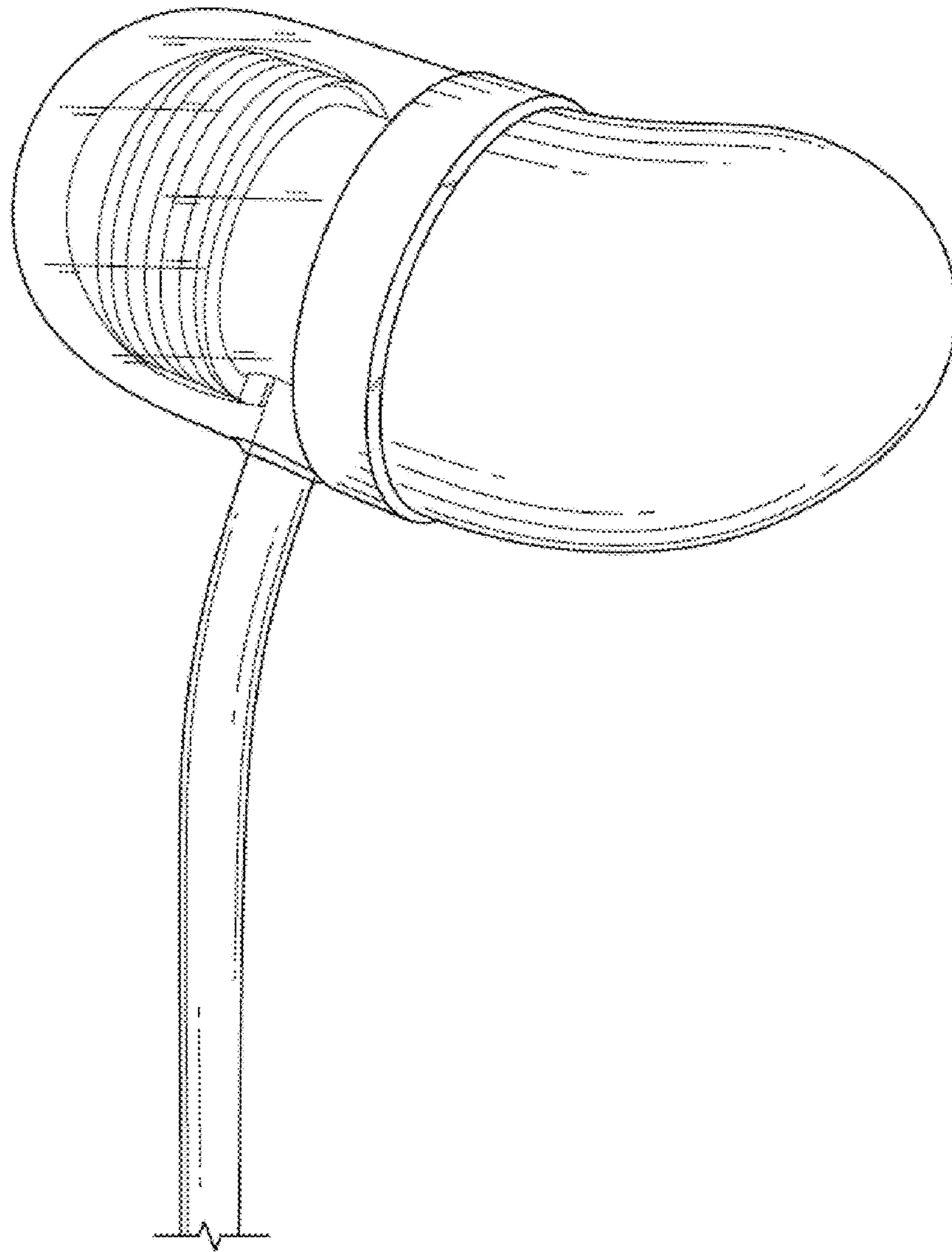


FIG. 7