



US00D804454S

(12) **United States Design Patent**  
**Katsuno**

(10) **Patent No.:** **US D804,454 S**

(45) **Date of Patent:** **\*\* Dec. 5, 2017**

(54) **IN-VEHICLE SPEAKER**

(71) Applicant: **CLARION CO., LTD.**, Saitama (JP)

(72) Inventor: **Keita Katsuno**, Matsudo (JP)

(73) Assignee: **Clarion Co., Ltd.**, Saitama (JP)

(\*\*) Term: **15 Years**

(21) Appl. No.: **29/556,331**

(22) Filed: **Feb. 29, 2016**

(30) **Foreign Application Priority Data**

Sep. 3, 2015 (JP) ..... 2015-019580

(51) **LOC (10) Cl.** ..... **14-01**

(52) **U.S. Cl.**  
USPC ..... **D14/222**

(58) **Field of Classification Search**

USPC ..... D14/168, 188, 194, 195, 196, 204, 210,  
D14/211, 212, 213, 214, 215, 216, 157,  
D14/217, 221, 222, 223, 224, 257, 258  
CPC ... B60R 11/0217; B60R 11/02; G06F 1/1688;  
G10K 9/22; G10K 11/004; H03F 1/327;  
H04M 1/03; H04M 1/035; H04N 5/642;  
H04N 21/4852; H04S 3/00; H04S 7/30;  
H04R 1/02; H04R 1/06; H04R 1/021;  
H04R 1/025; H04R 1/026; H04R 1/028;  
H04R 1/105; H04R 1/323; H04R 1/403;  
H04R 1/2803; H04R 1/2834; H04R 5/02;  
H04R 7/20; H04R 9/06; H04R 9/025;  
H04R 2201/021; H04R 2400/00; H04R  
2400/07; H04R 2499/11; H04R 2499/13;  
H04R 2499/15

See application file for complete search history.

(56) **References Cited**

**U.S. PATENT DOCUMENTS**

D192,290 S \* 2/1962 Johnson et al. .... D14/216  
D239,538 S \* 4/1976 Wagner ..... D14/216

D266,420 S \* 10/1982 Warner ..... D14/222  
D267,644 S \* 1/1983 Warner ..... D14/222  
D281,065 S \* 10/1985 Katsuno ..... D14/215  
D281,067 S \* 10/1985 Katsuno ..... D14/215  
D281,068 S \* 10/1985 Katsuno ..... D14/214  
D320,020 S \* 9/1991 Iwano ..... D14/216  
D387,354 S \* 12/1997 Ueng ..... D14/222  
D393,641 S \* 4/1998 Hai-Fu ..... D14/216  
D432,118 S \* 10/2000 Honnert ..... D14/216  
D438,195 S \* 2/2001 Chao ..... D14/222  
D448,017 S \* 9/2001 Hasbrook ..... D14/216

(Continued)

**OTHER PUBLICATIONS**

Talk Stuff—Clarion Z3, Z7, Z25W, announced Sep. 21, 2016 [online], [site visited Mar. 31, 2017]. Available from internet, URL: <[https://www.talkstuff.net/index.php/index.html/\\_/reviews/speakers/clarion-z3-z7-z25w-component-digital-speakers-r2030](https://www.talkstuff.net/index.php/index.html/_/reviews/speakers/clarion-z3-z7-z25w-component-digital-speakers-r2030)>.\*

(Continued)

*Primary Examiner* — Keli L Hill

*Assistant Examiner* — Karra S Johnson

(74) *Attorney, Agent, or Firm* — McDermott Will & Emery LLP

(57) **CLAIM**

The ornamental design for an in-vehicle speaker, as shown and described.

**DESCRIPTION**

FIG. 1 is a front view of an in-vehicle speaker showing my new design;

FIG. 2 is a rear view thereof;

FIG. 3 is a top view thereof;

FIG. 4 is a bottom view thereof;

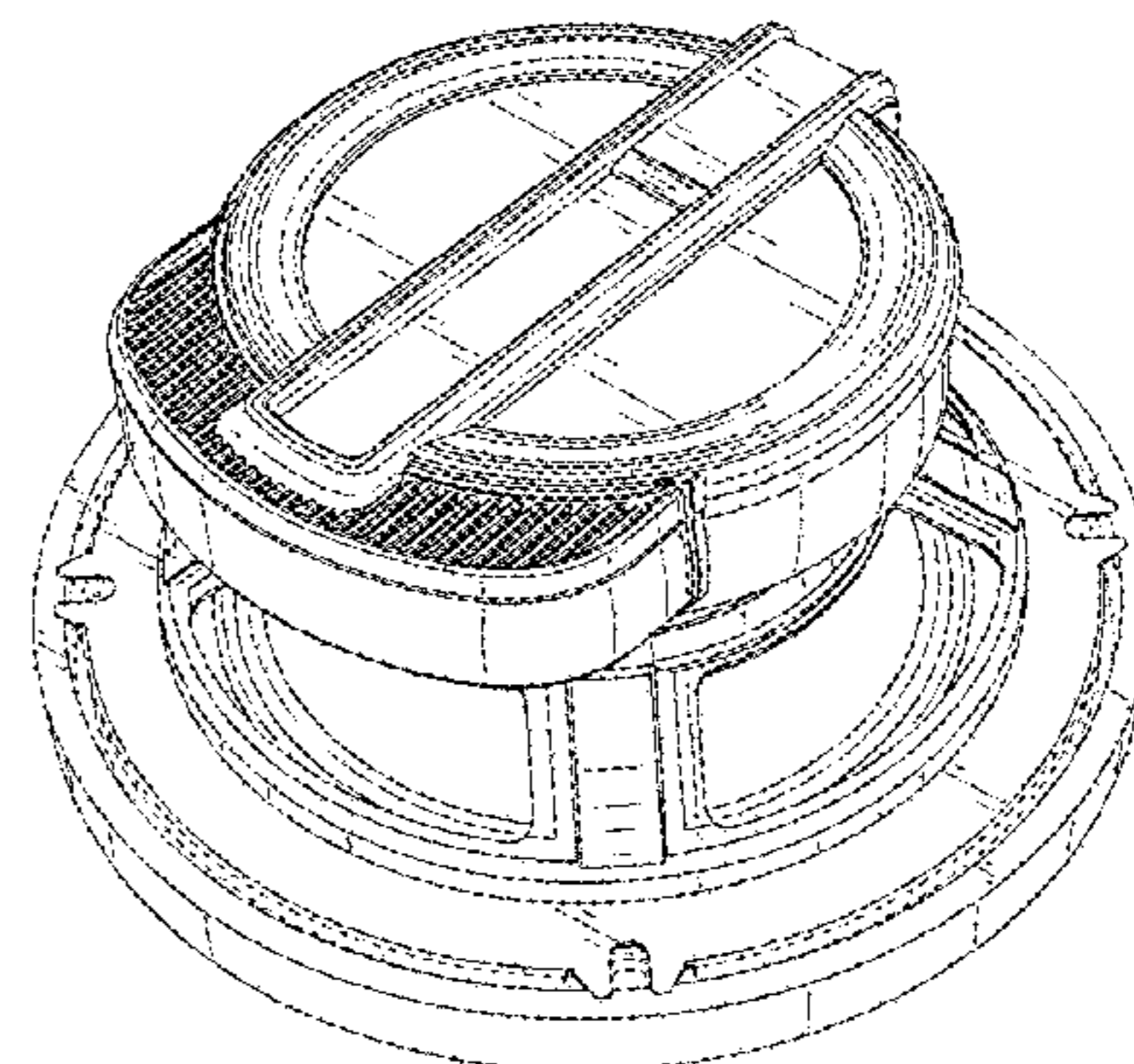
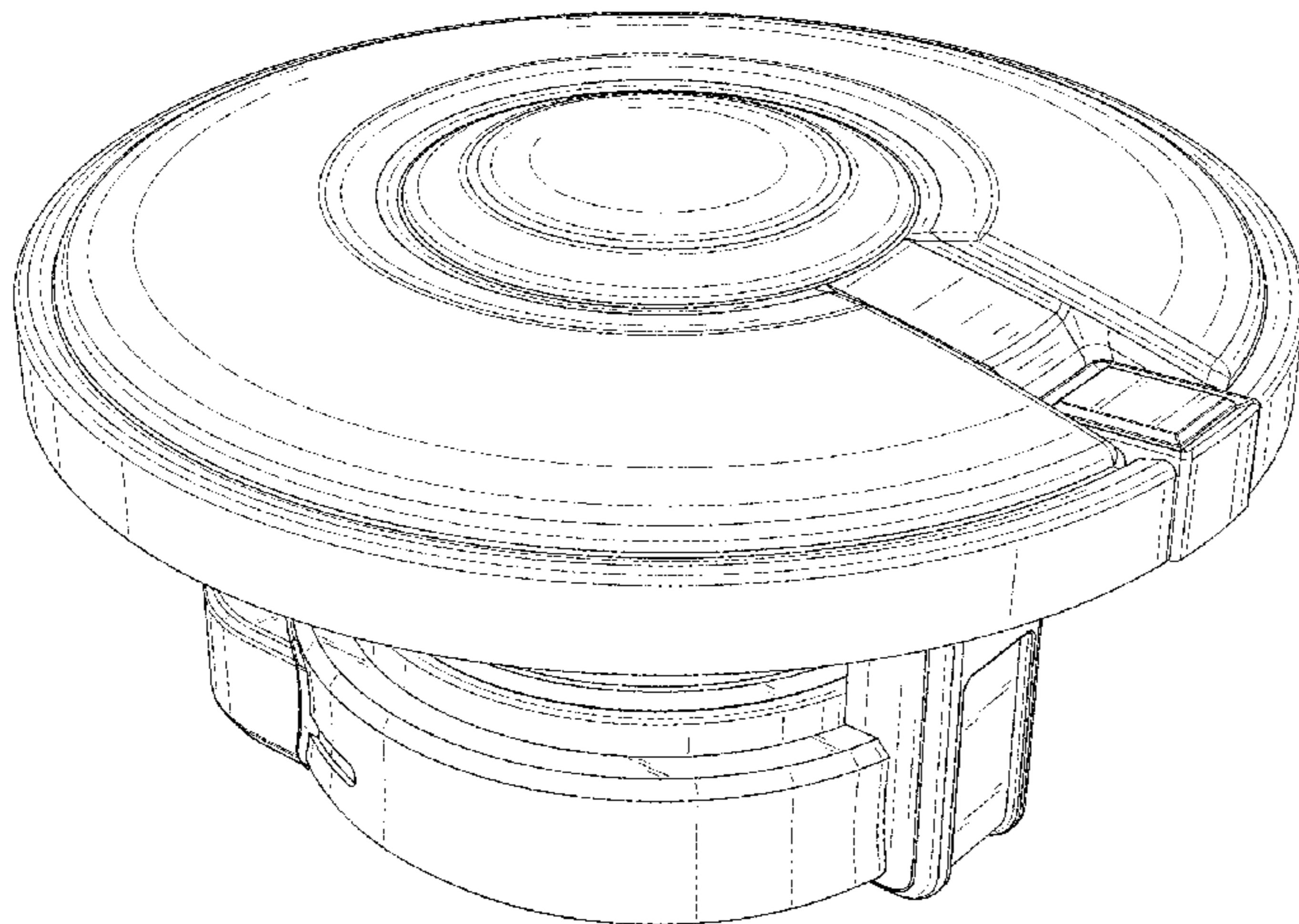
FIG. 5 is a left-side view thereof;

FIG. 6 is a right-side view thereof;

FIG. 7 is a first perspective view thereof; and,

FIG. 8 is a second perspective view thereof.

**1 Claim, 8 Drawing Sheets**



(56)

References Cited

U.S. PATENT DOCUMENTS

D451,087 S \* 11/2001 Moro ..... D14/221  
 D451,908 S \* 12/2001 Mackie ..... D14/224  
 D451,909 S \* 12/2001 Mackie ..... D14/224  
 D466,888 S \* 12/2002 Sugiyama ..... D14/224  
 D480,709 S \* 10/2003 Proni ..... D14/216  
 D483,740 S \* 12/2003 Yim ..... D14/216  
 D484,116 S \* 12/2003 Proni ..... D14/216  
 D487,738 S \* 3/2004 Iijima ..... D14/216  
 D504,416 S \* 4/2005 Dayan ..... D14/216  
 D519,496 S \* 4/2006 Amada ..... D14/221  
 D523,848 S \* 6/2006 Shing ..... D14/221  
 D524,300 S \* 7/2006 Amada ..... D14/221  
 D526,310 S \* 8/2006 Pantaleone ..... D14/221  
 D526,311 S \* 8/2006 Amada ..... D14/221  
 D529,899 S \* 10/2006 Amada ..... D14/221  
 D568,300 S \* 5/2008 Akaishi ..... D14/222  
 D578,113 S \* 10/2008 Yagihashi ..... D14/224  
 7,822,221 B2 \* 10/2010 Watanabe ..... H04R 1/06  
 381/150

8,175,321 B2 \* 5/2012 Bryant ..... H04R 7/122  
 381/396  
 D687,020 S \* 7/2013 Trainer ..... D14/222  
 D699,225 S \* 2/2014 Miyawaki ..... D14/216  
 D712,879 S \* 9/2014 Naito ..... D14/221  
 9,532,145 B2 \* 12/2016 Niedermann ..... H04R 9/02  
 2007/0280498 A1 \* 12/2007 Rodman ..... H04R 1/2803  
 381/345  
 2012/0045085 A1 \* 2/2012 Qiao ..... H04R 5/023  
 381/386  
 2014/0140559 A1 \* 5/2014 Graham ..... H04R 9/06  
 381/345  
 2014/0305734 A1 \* 10/2014 Ivey ..... H04R 1/025  
 181/150

OTHER PUBLICATIONS

PASMAG—Clarion Full Digital System Review, announced Sep. 7, 2016 [online], [site visited Mar. 31, 2017]. Available from internet, URL: <<http://www.pasmag.com/car-audio/test-reports/4591-clarion-full-digital-system-review>>.\*

\* cited by examiner

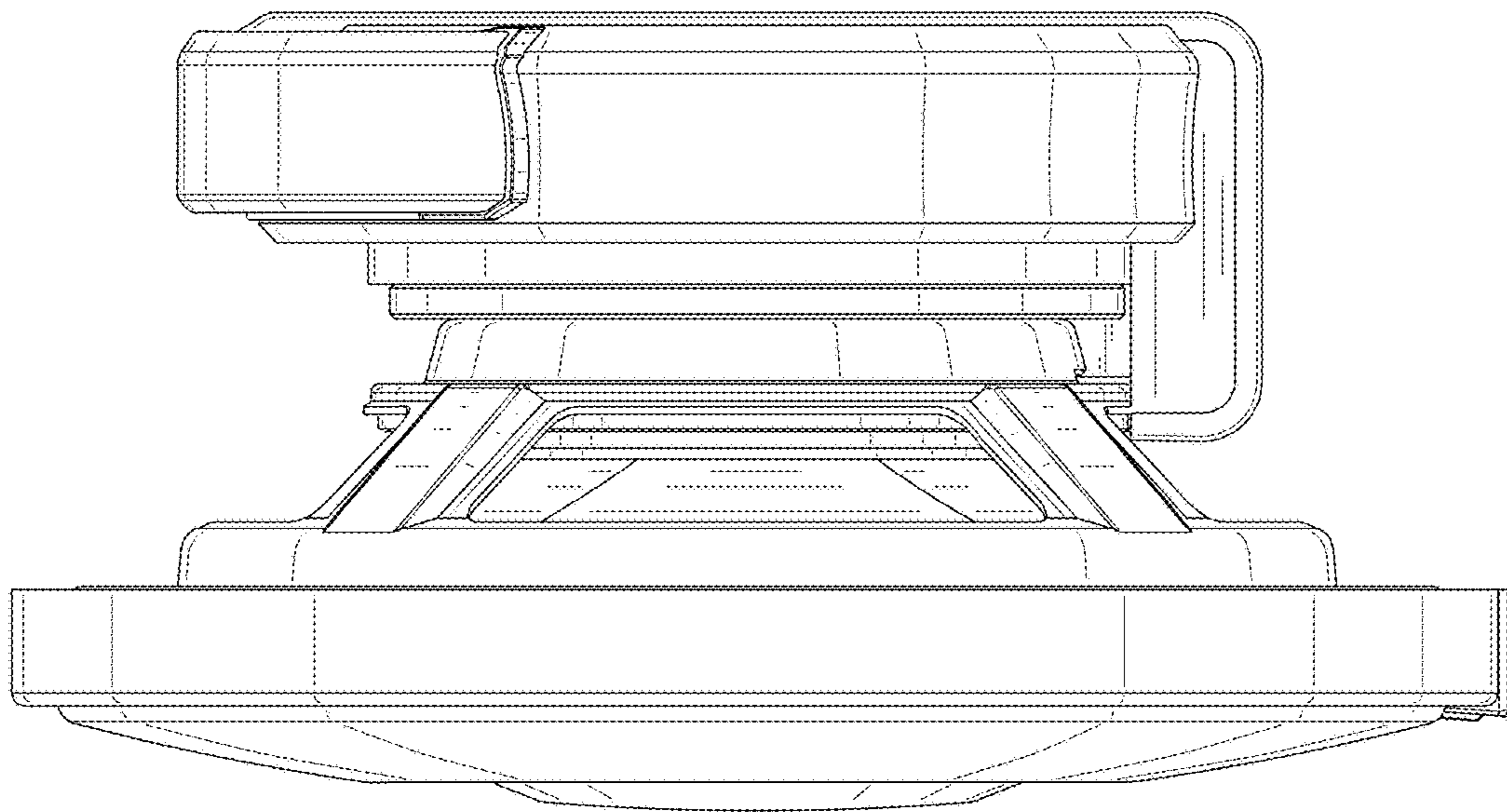


FIG. 1

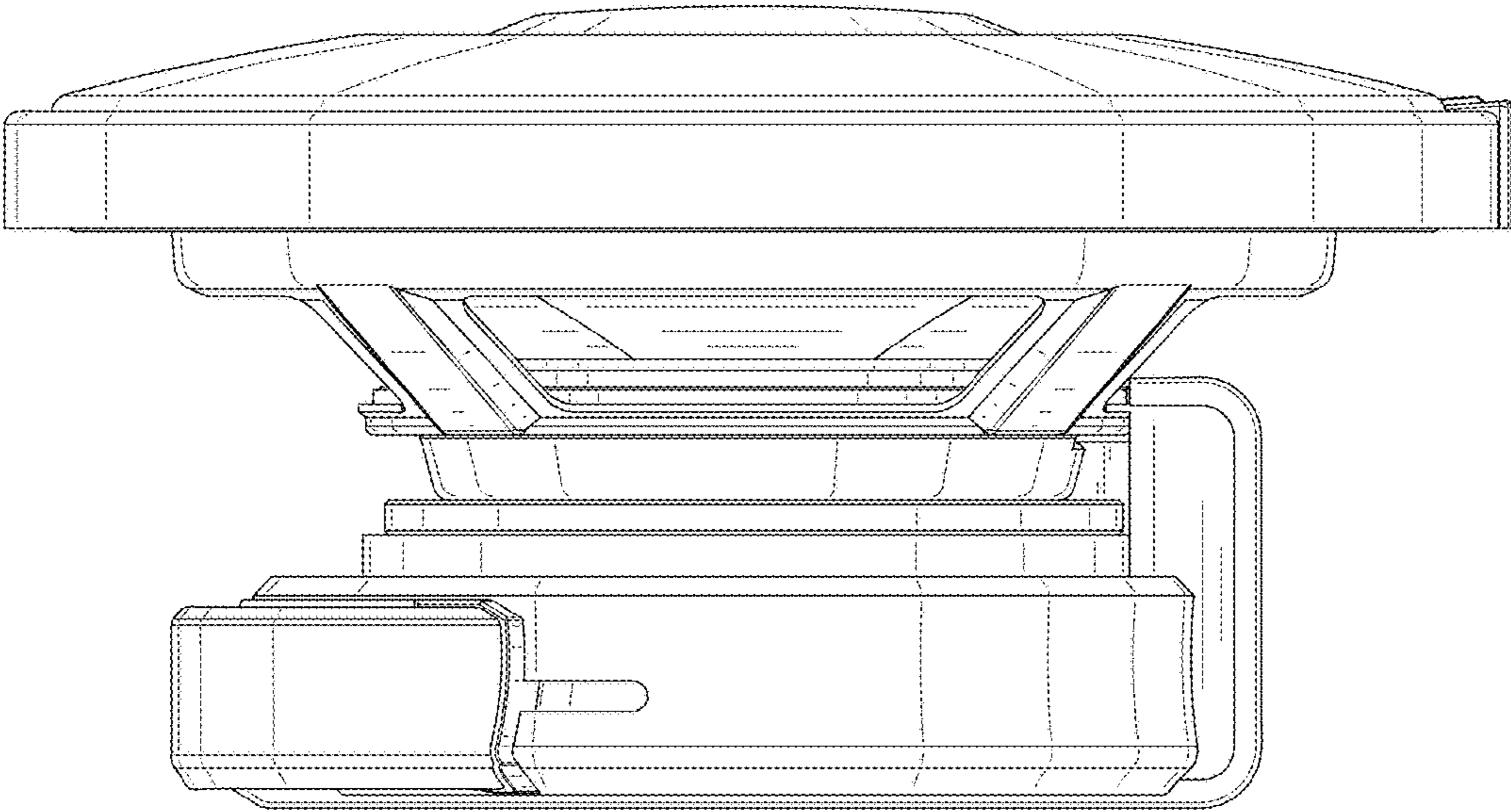


FIG. 2

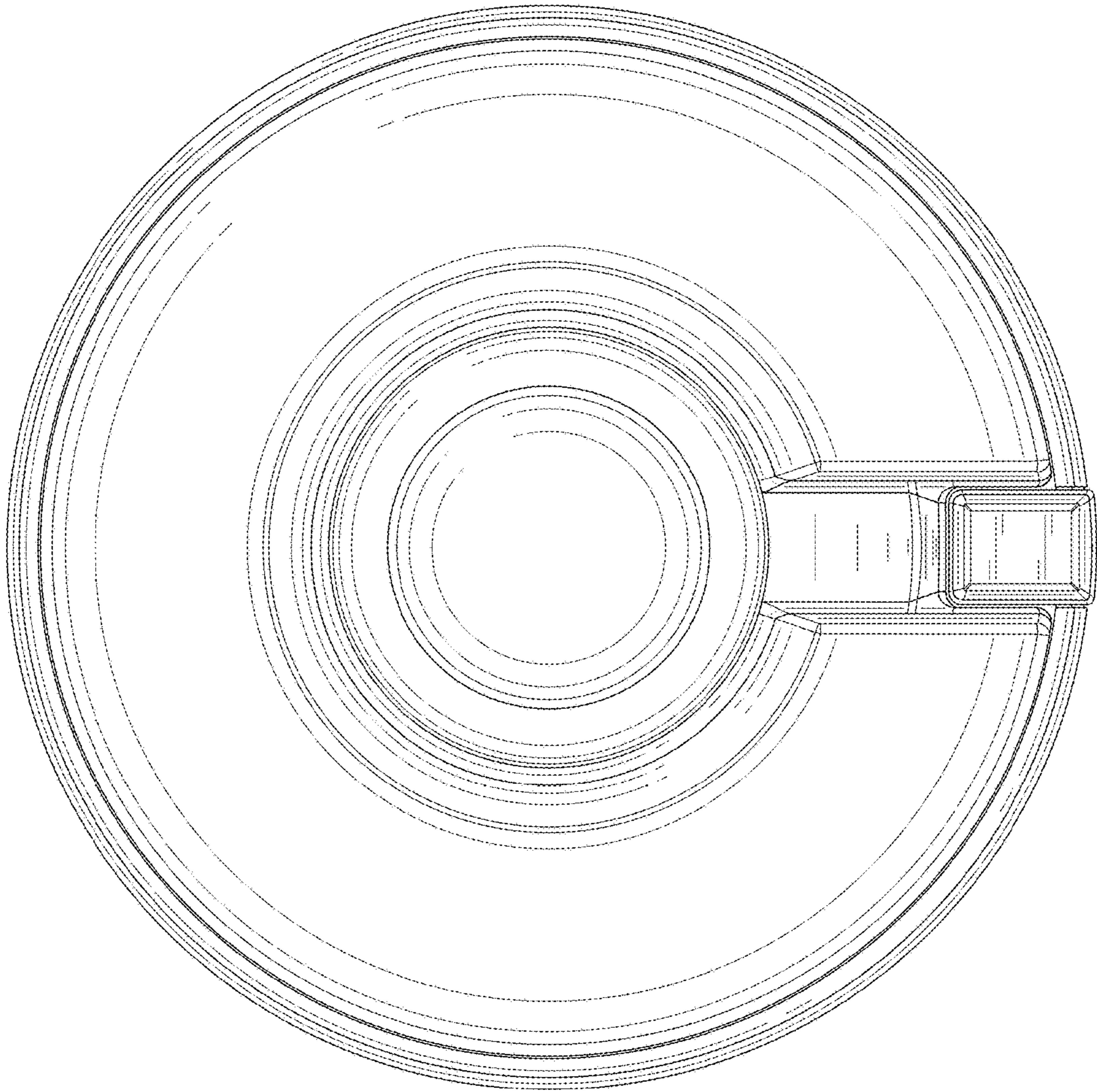


FIG. 3

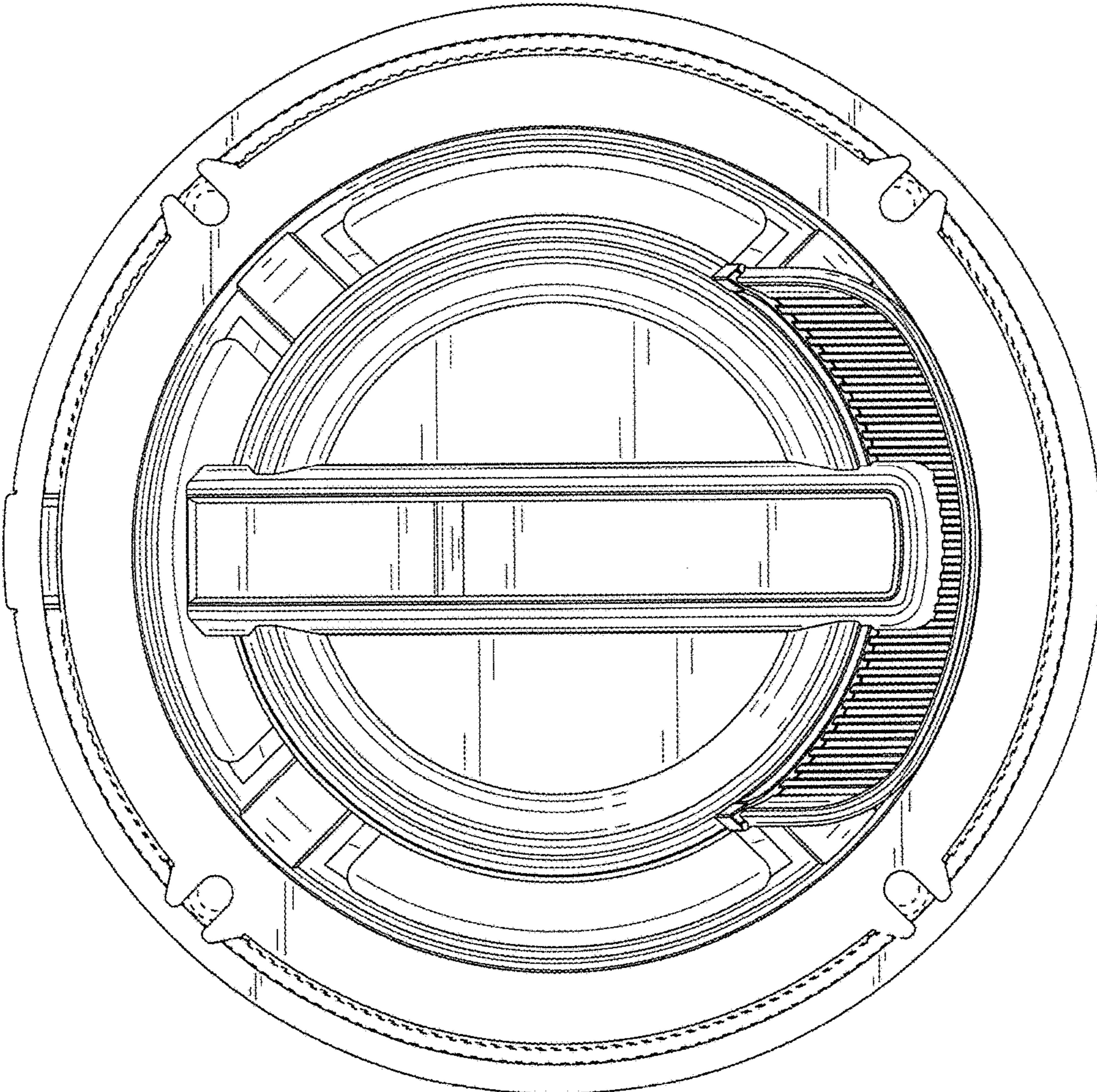


FIG. 4

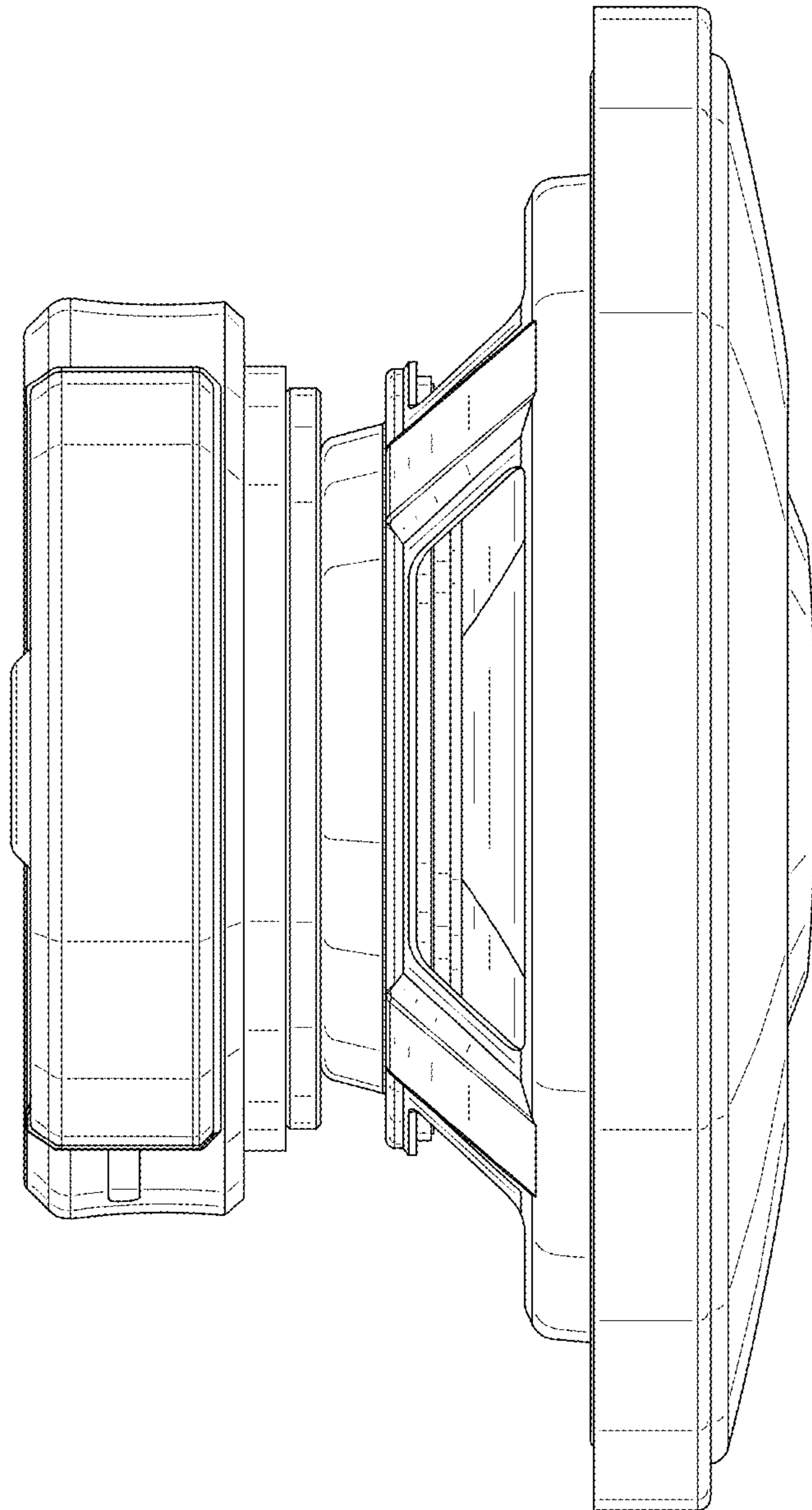


FIG. 5

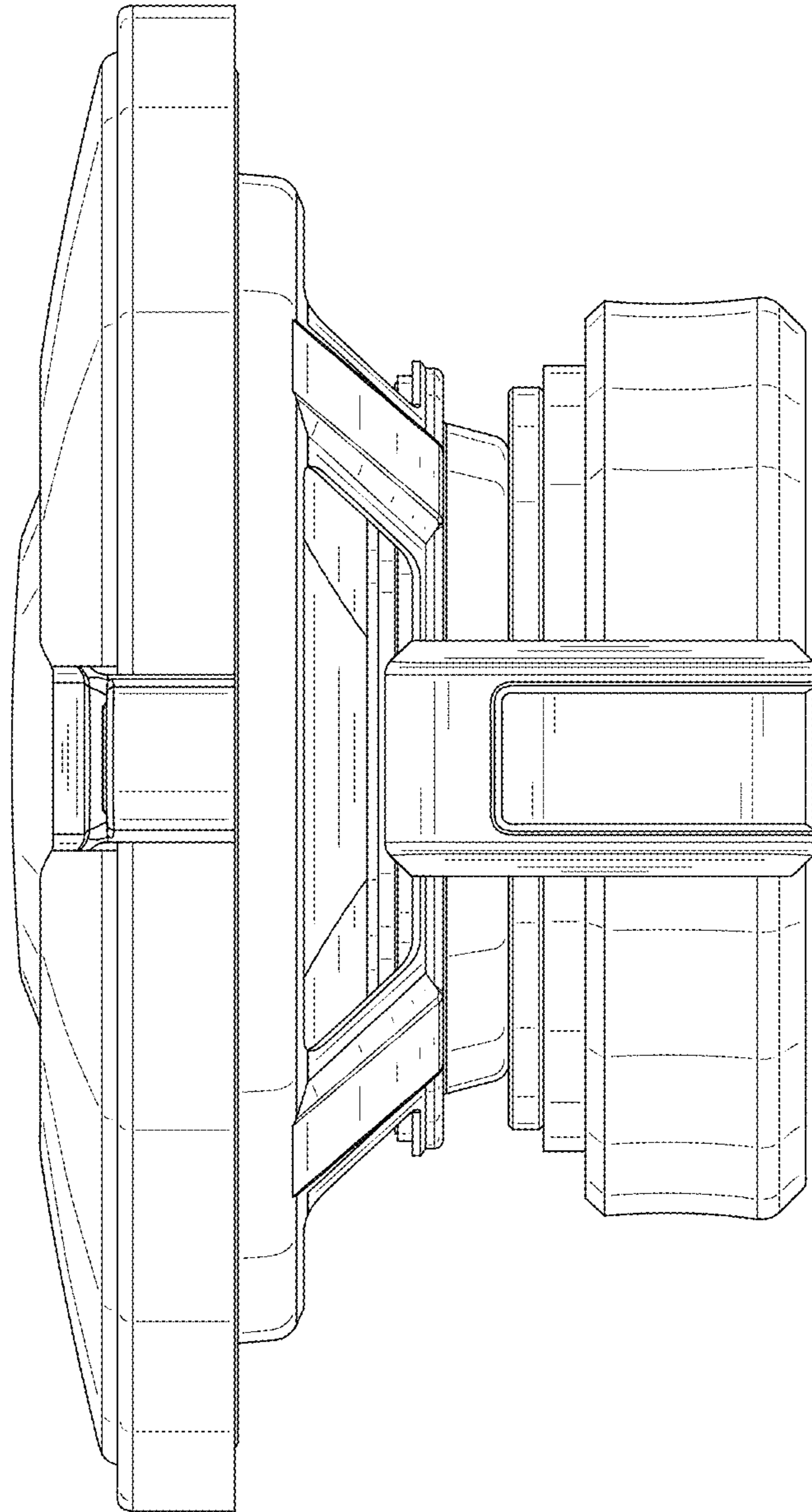


FIG. 6



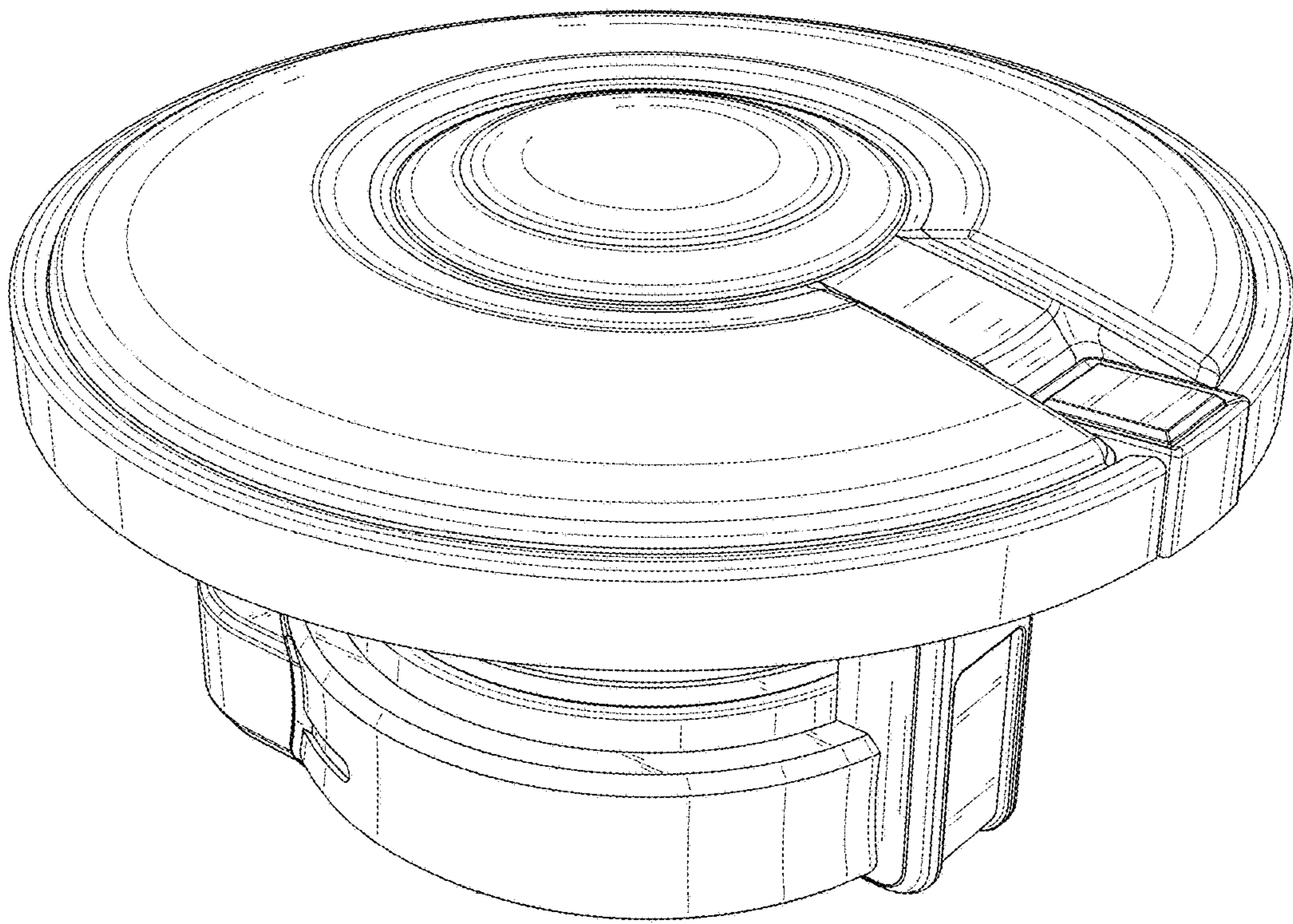


FIG. 7

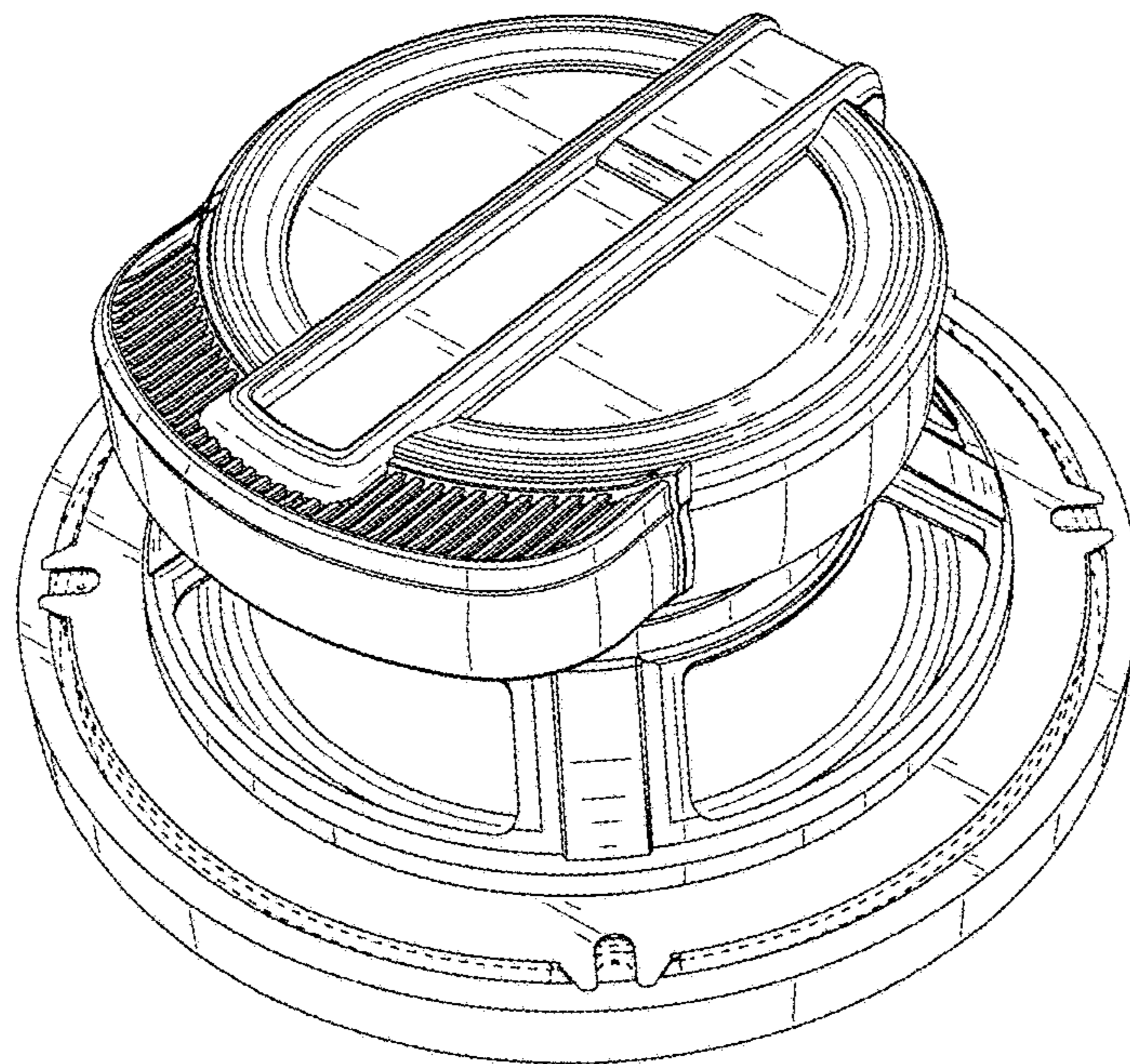


FIG. 8