



US00D804453S

(12) **United States Design Patent**
Katsuno

(10) **Patent No.:** **US D804,453 S**

(45) **Date of Patent:** **** Dec. 5, 2017**

(54) **IN-VEHICLE SPEAKER**

(71) Applicant: **CLARION CO., LTD.**, Saitama (JP)

(72) Inventor: **Keita Katsuno**, Matsudo (JP)

(73) Assignee: **Clarion Co., Ltd.**, Saitama (JP)

(**) Term: **15 Years**

(21) Appl. No.: **29/556,319**

(22) Filed: **Feb. 29, 2016**

(30) **Foreign Application Priority Data**

Sep. 3, 2015 (JP) 2015-019579

(51) **LOC (10) Cl.** **14-01**

(52) **U.S. Cl.**
USPC **D14/222**

(58) **Field of Classification Search**

USPC D14/168, 188, 194, 195, 196, 204, 210,
D14/211, 212, 213, 214, 215, 216, 157,
D14/217, 221, 222, 223, 224, 257, 258

CPC ... B60R 11/0217; B60R 11/02; G06F 1/1688;
G10K 9/22; G10K 11/004; H03F 1/327;
H04M 1/03; H04M 1/035; H04N 5/642;
H04N 21/4852; H04S 3/00; H04S 7/30;
H04R 1/02; H04R 1/06; H04R 1/021;
H04R 1/025; H04R 1/026; H04R 1/028;
H04R 1/105; H04R 1/323; H04R 1/403;
H04R 1/2803; H04R 1/2834; H04R 5/02;
H04R 7/20; H04R 9/06; H04R 9/025;
H04R 2201/021; H04R 2400/00; H04R
2400/07; H04R 2499/11; H04R 2499/13;
H04R 2499/15

See application file for complete search history.

(56) **References Cited**

U.S. PATENT DOCUMENTS

D192,290 S * 2/1962 Johnson et al. D14/216
D239,538 S * 4/1976 Wagner D14/216

D266,420 S * 10/1982 Warner D14/222
D267,644 S * 1/1983 Warner D14/222
D281,065 S * 10/1985 Katsuno D14/215
D281,067 S * 10/1985 Katsuno D14/215
D281,068 S * 10/1985 Katsuno D14/214
D320,020 S * 9/1991 Iwano D14/216
D387,354 S * 12/1997 Ueng D14/222
D393,641 S * 4/1998 Hai-Fu D14/216
D432,118 S * 10/2000 Honnert D14/216
D438,195 S * 2/2001 Chao D14/222
D448,017 S * 9/2001 Hasbrook D14/216

(Continued)

OTHER PUBLICATIONS

Talk Stuff—Clarion Z3, Z7, Z25W, announced Sep. 21, 2016 [online]. [site visited Mar. 31, 2017]. Available from internet, URL: <https://www.talkstuff.net/index.php/index.html/_/reviews/speakers/clarion-z3-z7-z25w-component-digital-speakers-r2030>.*

(Continued)

Primary Examiner — Keli L Hill

Assistant Examiner — Karra S Johnson

(74) *Attorney, Agent, or Firm* — McDermott Will & Emery LLP

(57) **CLAIM**

The ornamental design for an in-vehicle speaker, as shown and described.

DESCRIPTION

FIG. 1 is a front view of an in-vehicle speaker showing my new design;

FIG. 2 is a rear view thereof;

FIG. 3 is a top view thereof;

FIG. 4 is a bottom view thereof;

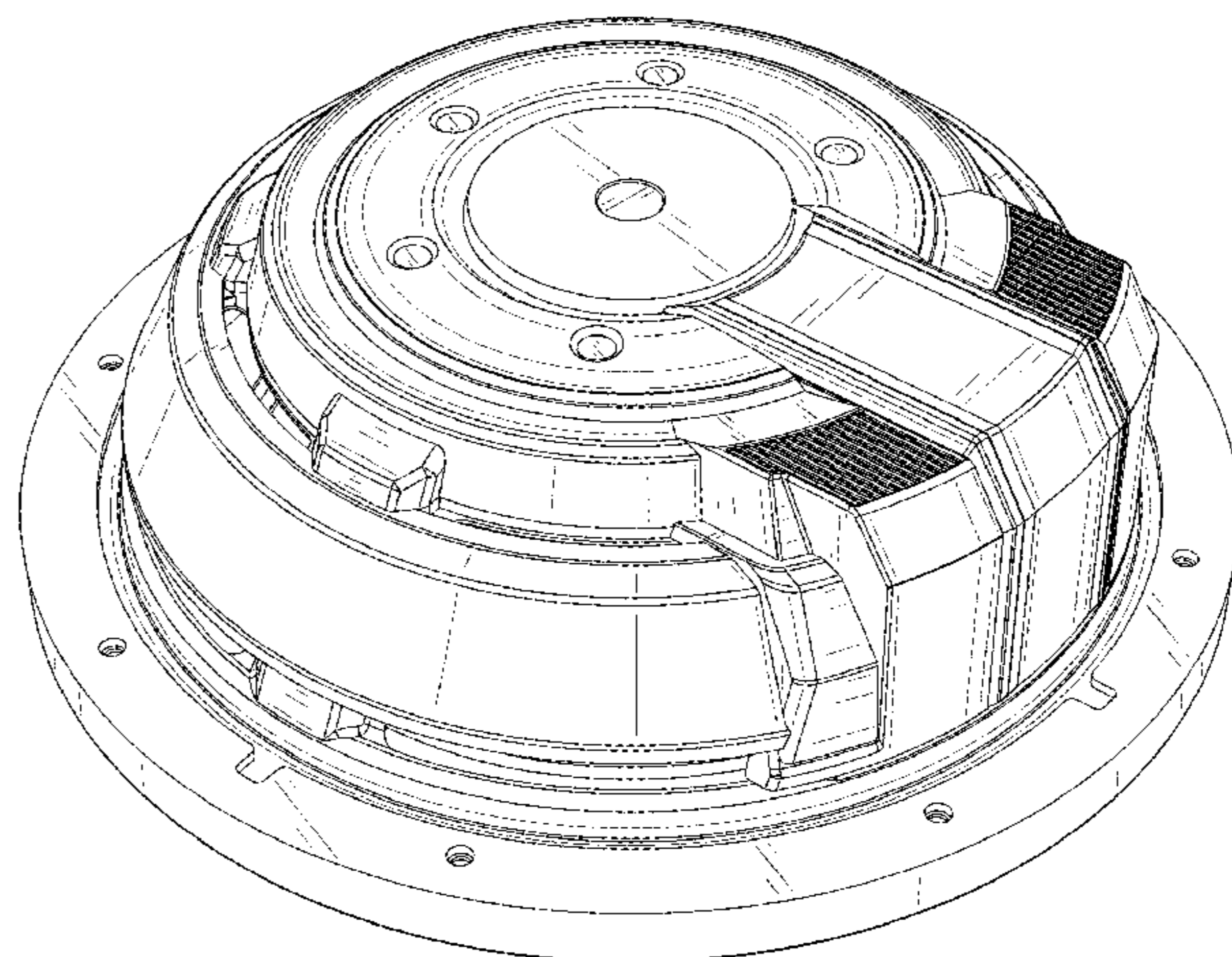
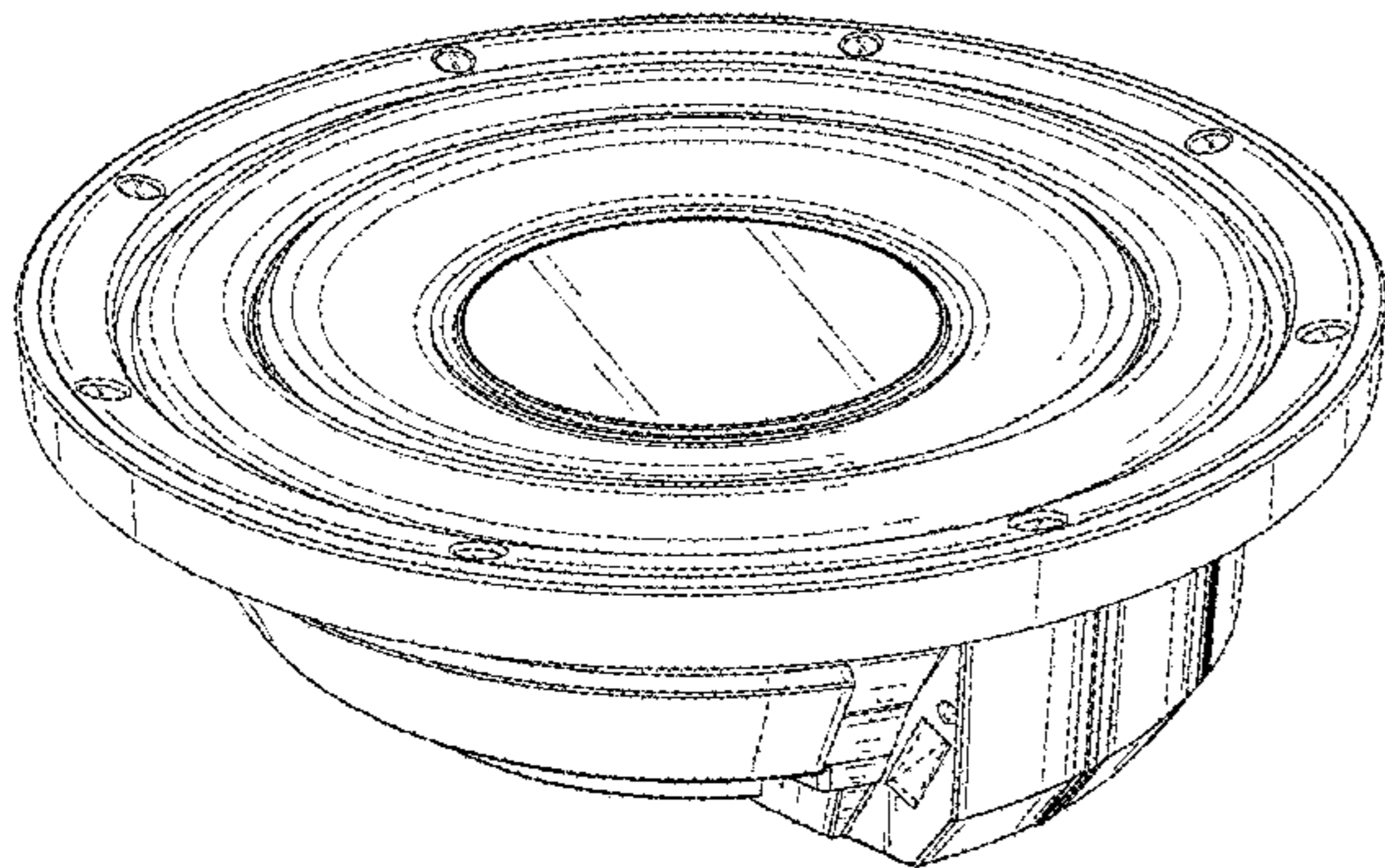
FIG. 5 is a left-side view thereof;

FIG. 6 is a right-side view thereof;

FIG. 7 is a first perspective view thereof; and,

FIG. 8 is a second perspective view thereof.

1 Claim, 8 Drawing Sheets



(56)

References Cited

U.S. PATENT DOCUMENTS

D451,087 S * 11/2001 Moro D14/221
 D451,908 S * 12/2001 Mackie D14/224
 D451,909 S * 12/2001 Mackie D14/224
 D466,888 S * 12/2002 Sugiyama D14/224
 D480,709 S * 10/2003 Proni D14/216
 D483,740 S * 12/2003 Yim D14/216
 D484,116 S * 12/2003 Proni D14/216
 D487,738 S * 3/2004 Iijima D14/216
 D504,416 S * 4/2005 Dayan D14/216
 D519,496 S * 4/2006 Amada D14/221
 D523,848 S * 6/2006 Shing D14/221
 D524,300 S * 7/2006 Amada D14/221
 D526,310 S * 8/2006 Pantaleone D14/221
 D526,311 S * 8/2006 Amada D14/221
 D529,899 S * 10/2006 Amada D14/221
 D568,300 S * 5/2008 Akaishi D14/222
 D578,113 S * 10/2008 Yagihashi D14/224
 7,822,221 B2 * 10/2010 Watanabe H04R 1/06
 381/150

8,175,321 B2 * 5/2012 Bryant H04R 7/122
 381/396
 D687,020 S * 7/2013 Trainer D14/222
 D699,225 S * 2/2014 Miyawaki D14/216
 D712,879 S * 9/2014 Naito D14/221
 9,532,145 B2 * 12/2016 Niedermann H04R 9/02
 2007/0280498 A1 * 12/2007 Rodman H04R 1/2803
 381/345
 2012/0045085 A1 * 2/2012 Qiao H04R 5/023
 381/386
 2014/0140559 A1 * 5/2014 Graham H04R 9/06
 381/345
 2014/0305734 A1 * 10/2014 Ivey H04R 1/025
 181/150

OTHER PUBLICATIONS

PASMAG—Clarion Full Digital System Review, announced Sep. 7, 2016 [online], [site visited Mar. 31, 2017]. Available from internet, URL: <<http://www.pasmag.com/car-audio/test-reports/4591-clarion-full-digital-system-review>>.*

* cited by examiner

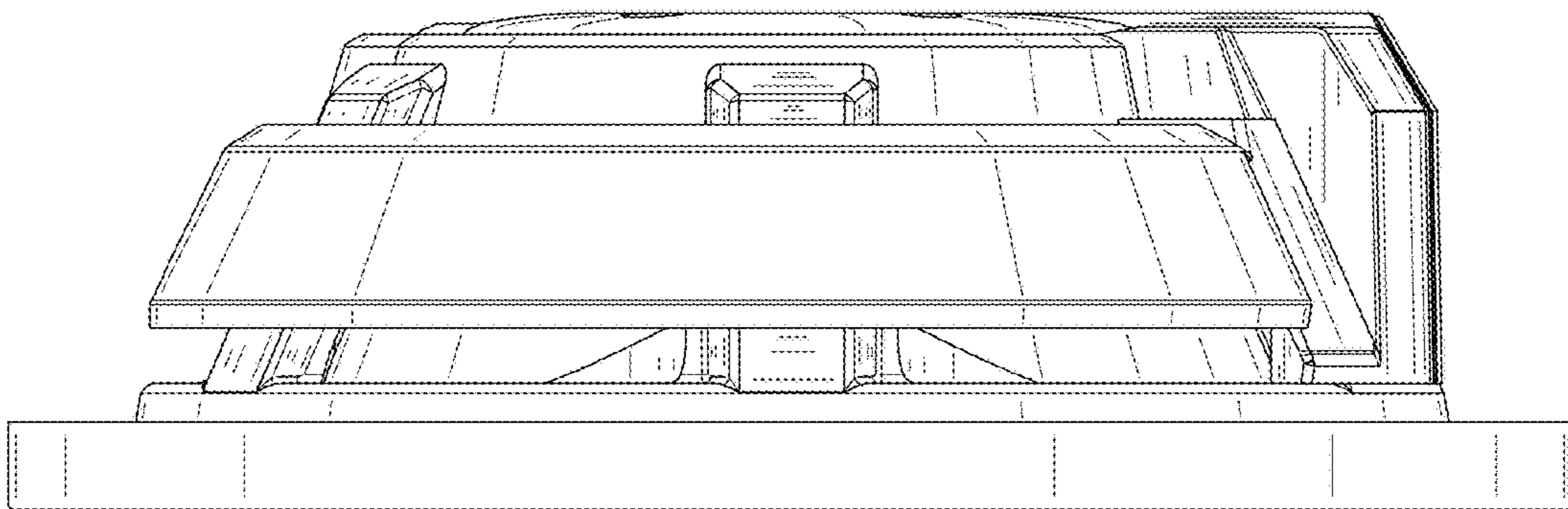


FIG. 1

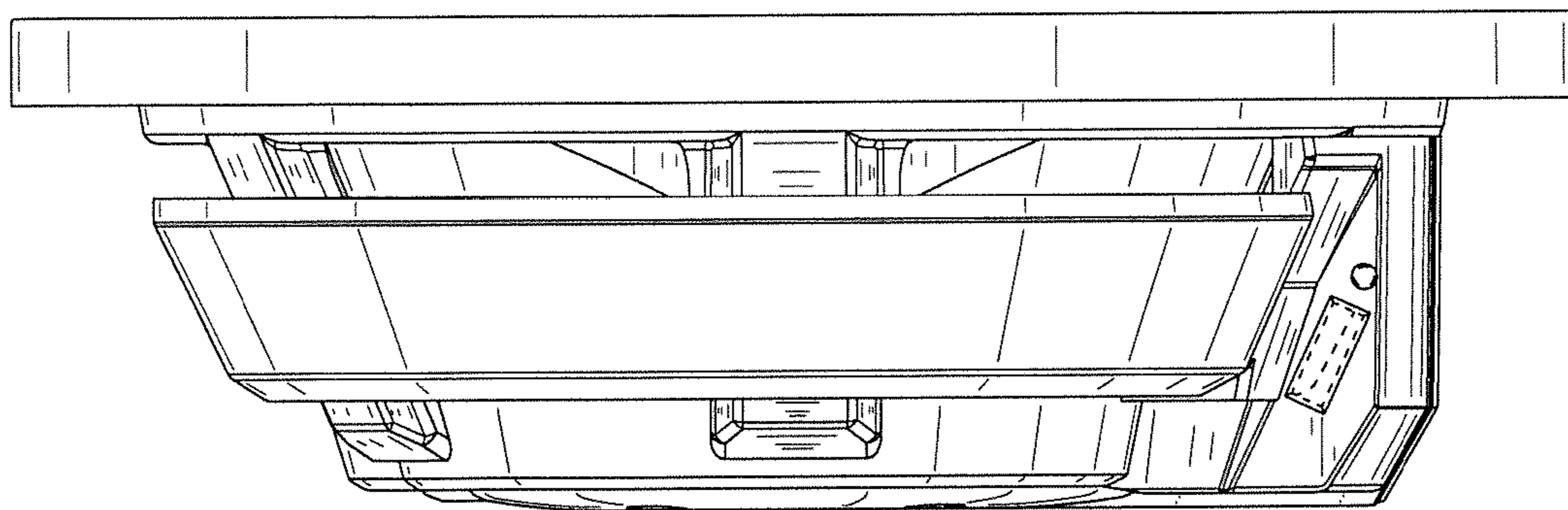


FIG. 2

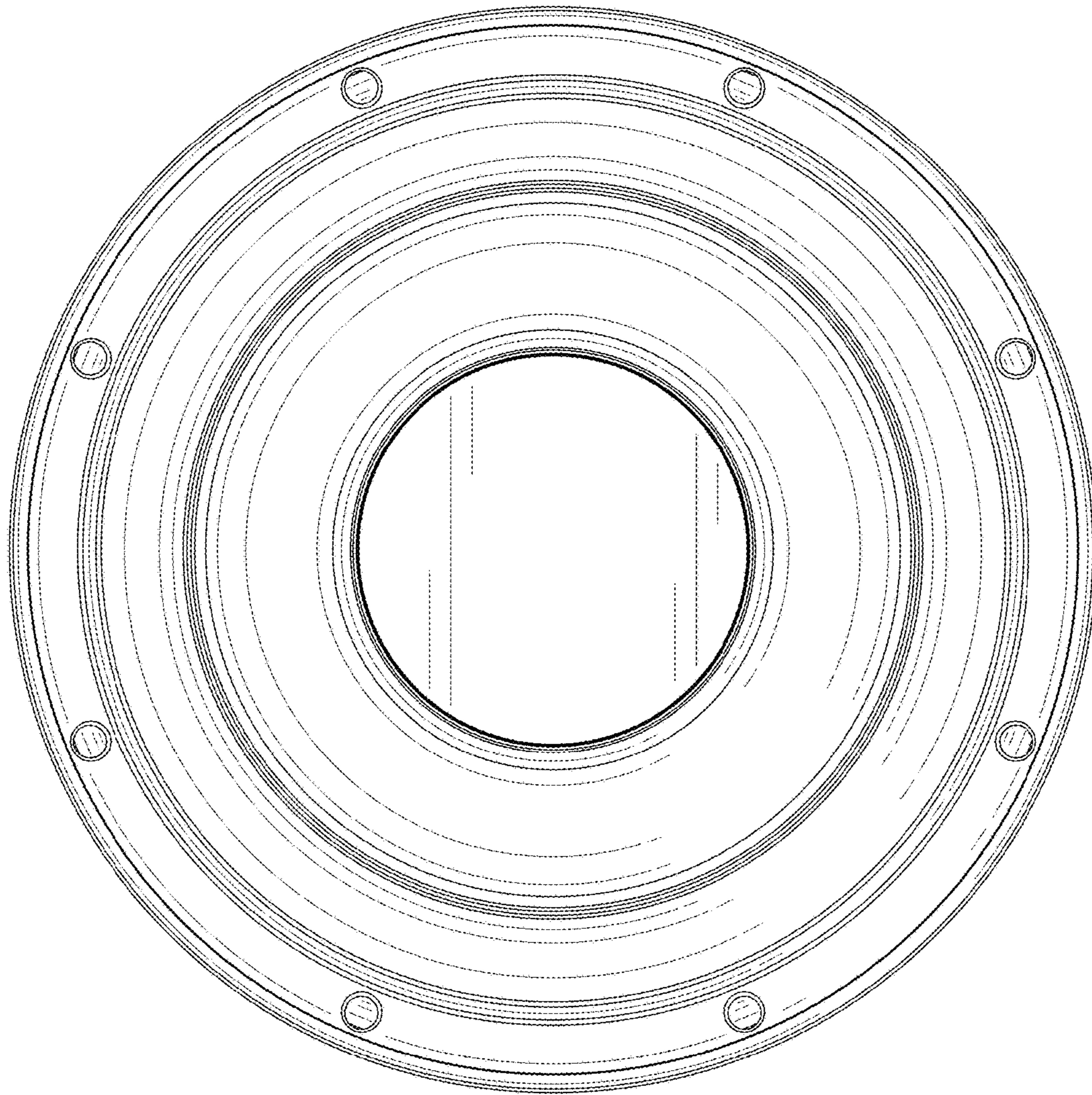


FIG. 3

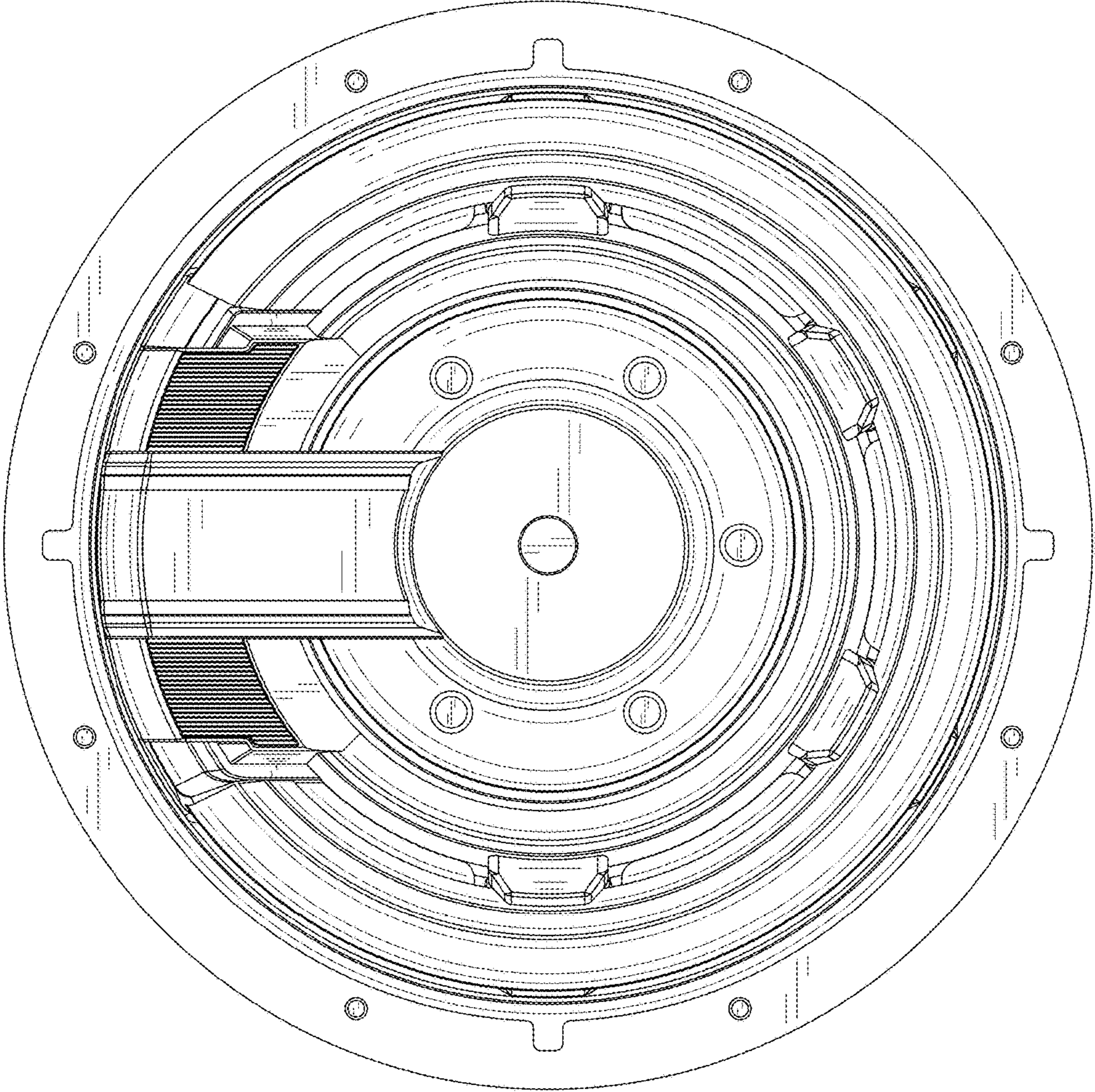


FIG. 4

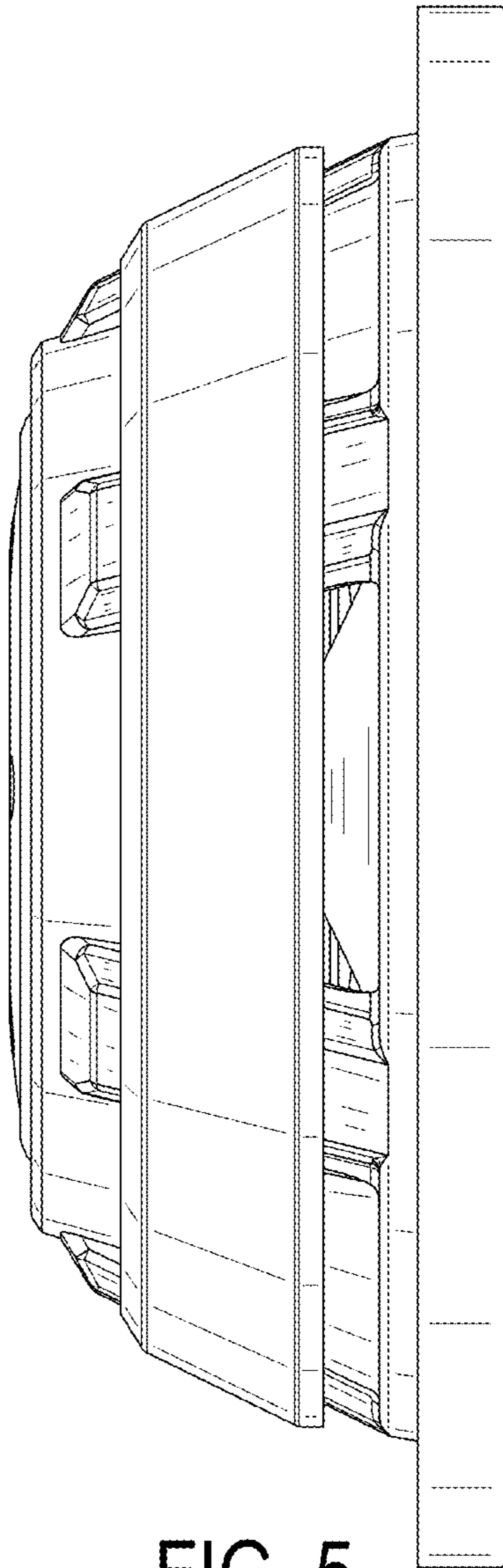


FIG. 5

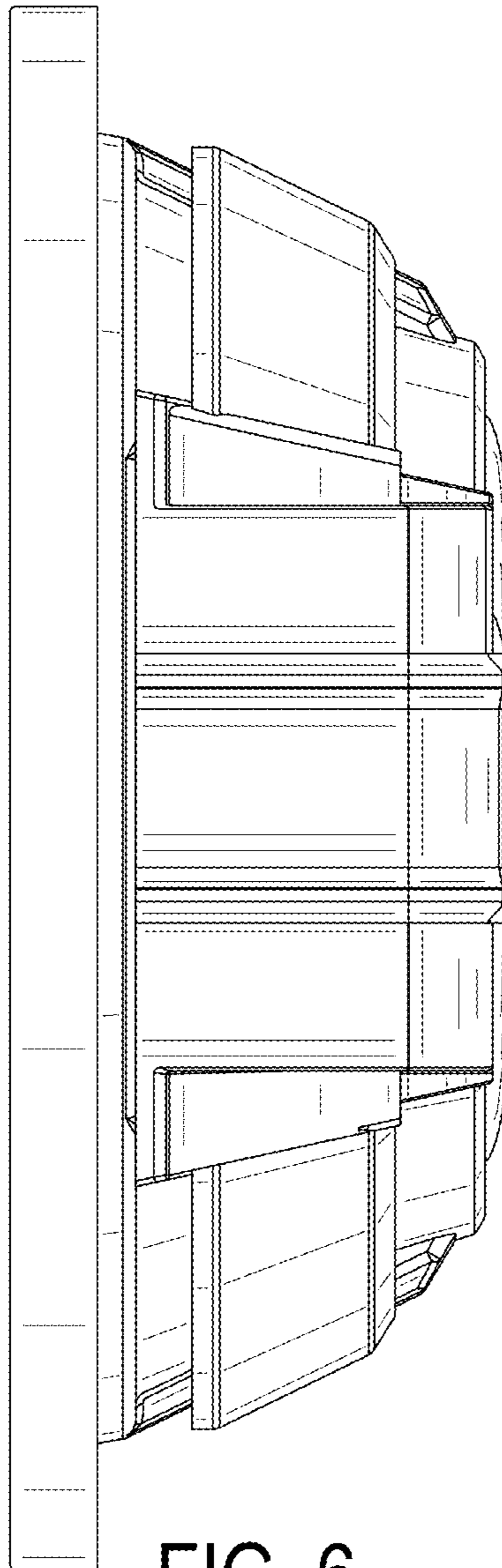


FIG. 6

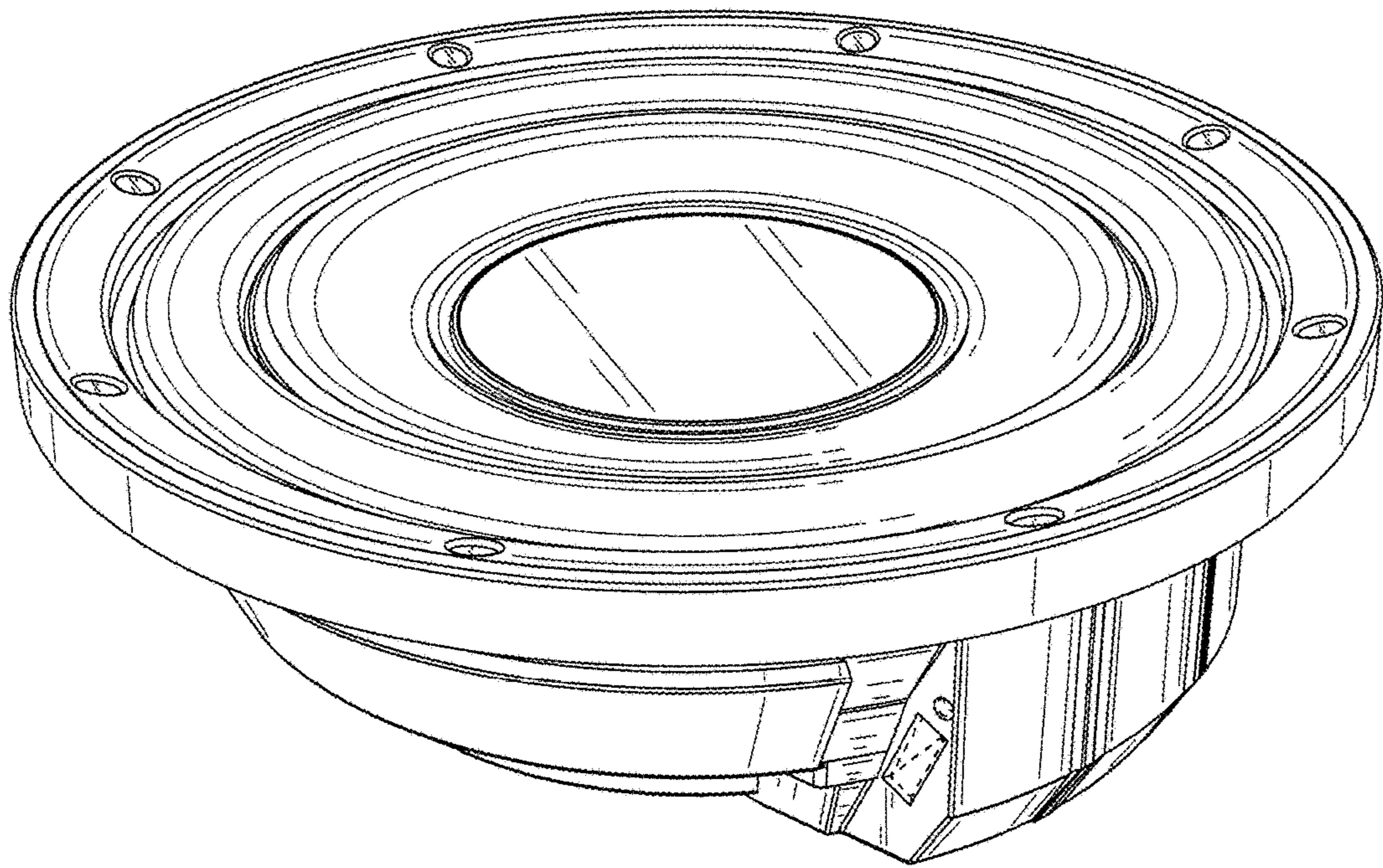


FIG. 7

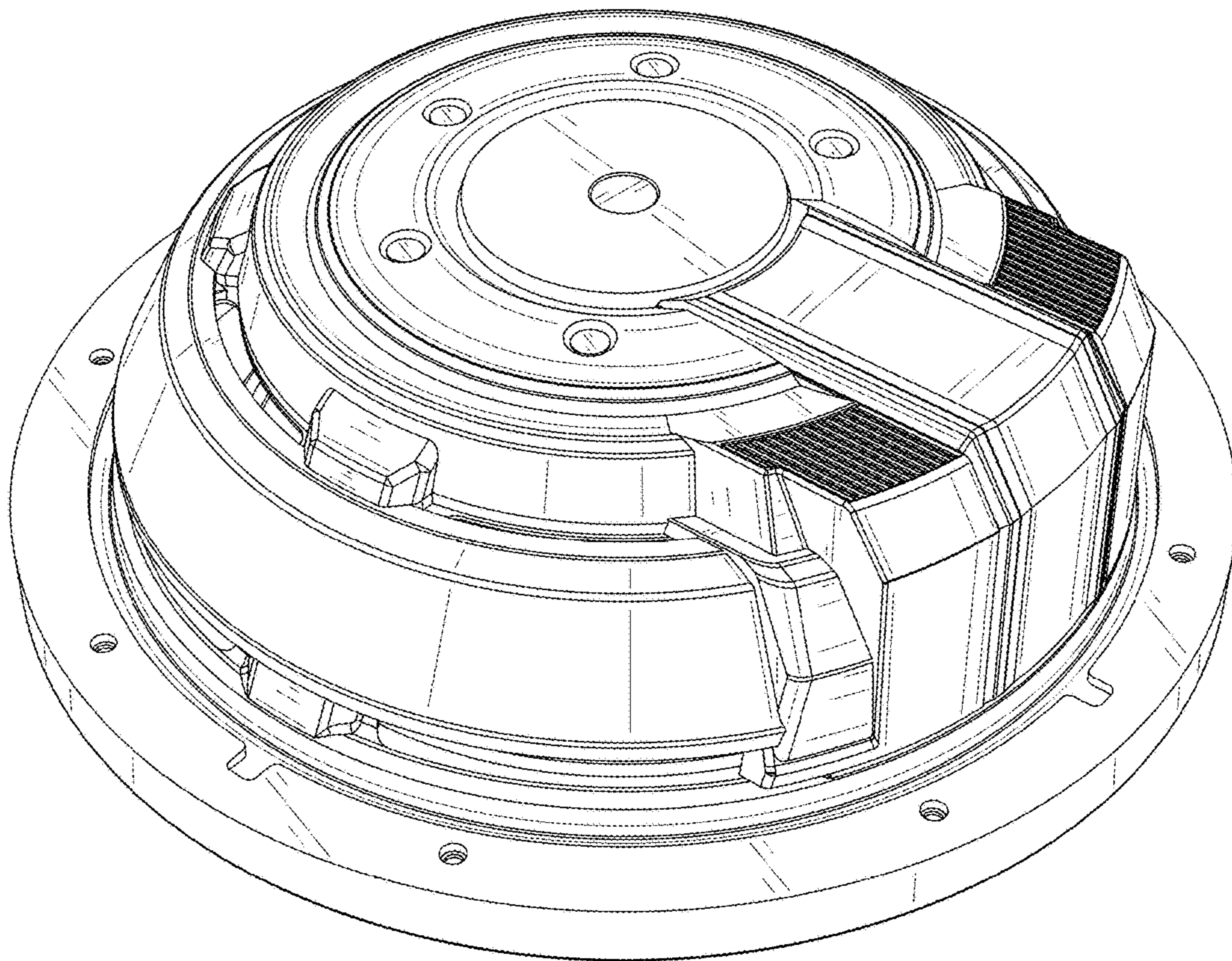


FIG. 8