



US00D804452S

(12) **United States Design Patent** (10) **Patent No.:** **US D804,452 S**
Parfitt (45) **Date of Patent:** **** *Dec. 5, 2017**

(54) **REMOTE CONTROLLER**

(71) Applicant: **GoPro, Inc.**, San Mateo, CA (US)

(72) Inventor: **Benjamin Parfitt**, Mountain View, CA (US)

(73) Assignee: **GoPro, Inc.**, San Mateo, CA (US)

(*) Notice: This patent is subject to a terminal disclaimer.

(**) Term: **15 Years**

(21) Appl. No.: **29/548,824**

(22) Filed: **Dec. 16, 2015**

Related U.S. Application Data

(63) Continuation of application No. 29/535,226, filed on Aug. 4, 2015, now Pat. No. Des. 778,265.

(51) **LOC (10) Cl.** **14-03**

(52) **U.S. Cl.**
USPC **D14/218**

(58) **Field of Classification Search**
USPC D14/218, 138 R, 137, 138 G; D13/168;
D21/329-333, 566

(Continued)

(56) **References Cited**

U.S. PATENT DOCUMENTS

D349,520 S * 8/1994 Iwakami D21/332
D367,895 S * 3/1996 Goto D21/332

(Continued)

FOREIGN PATENT DOCUMENTS

CN 303368298 * 9/2015
IS 71117-0016 * 1/2009

OTHER PUBLICATIONS

Amazon.com: Parabolic Antenna DJI Signal Booster and Range Extender, review Apr. 2016, https://www.amazon.com/Parabolic-Antenna-Booster-Extender-Advanced/dp/B01DK4JQNE/ref=cm_cr_arp_d_product_top?ie=UTF8, site visited Sep. 28, 2016.*

(Continued)

Primary Examiner — John Windmuller

Assistant Examiner — John R Yeh

(74) *Attorney, Agent, or Firm* — Fenwick & West LLP

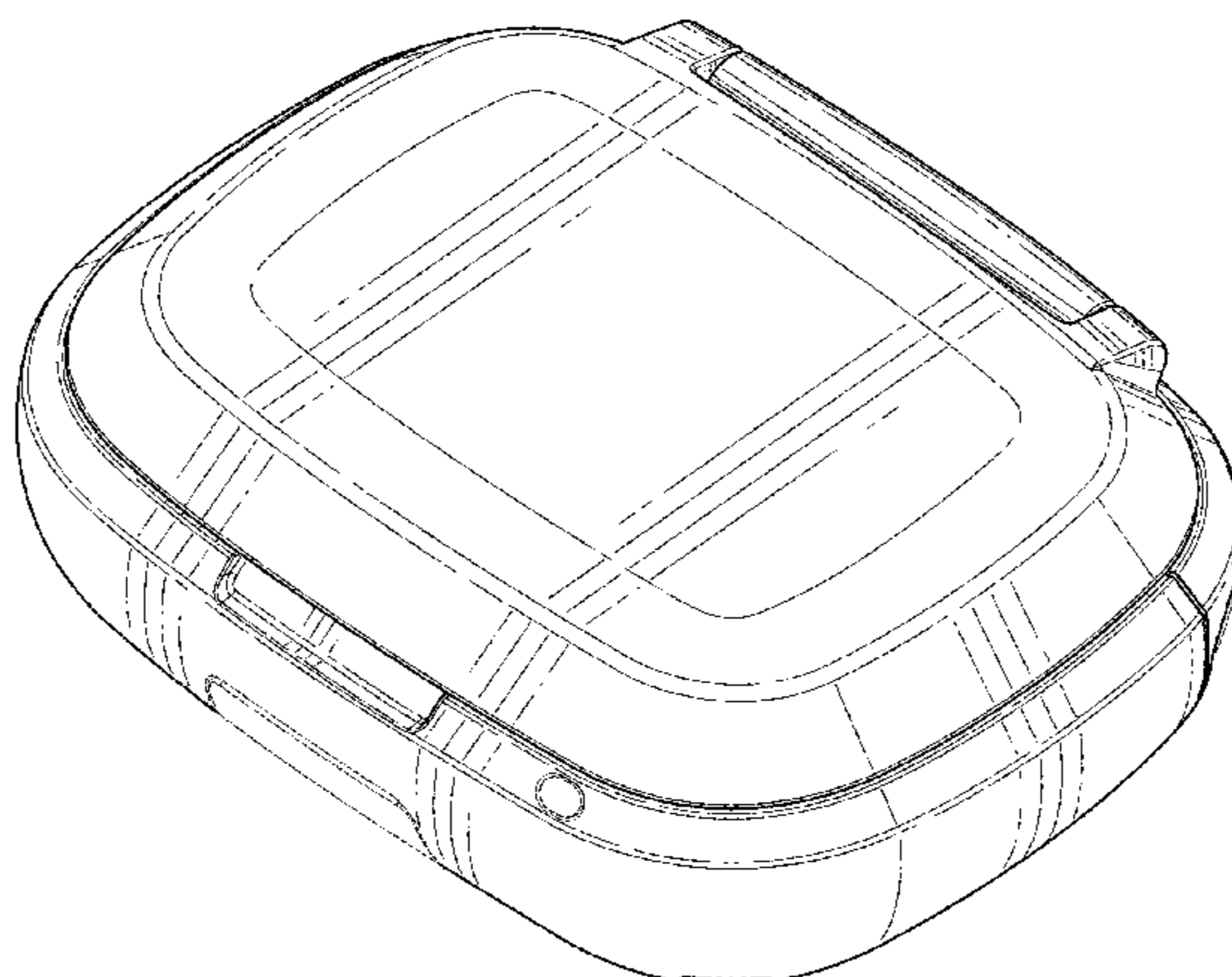
(57) **CLAIM**

The ornamental design for a remote controller, as shown and described.

DESCRIPTION

FIG. 1 is a front, top and right side perspective view of a closed remote controller;
FIG. 2 is a rear, top and left side perspective view thereof;
FIG. 3 is a front, bottom and left side perspective view thereof;
FIG. 4 is a rear, bottom and right side perspective view thereof;
FIG. 5 is a front elevational view thereof;
FIG. 6 is a rear elevational view thereof;
FIG. 7 is a left side elevational view thereof;
FIG. 8 is a right side elevational view thereof;
FIG. 9 is a top plan view thereof;
FIG. 10 is a bottom plan view thereof.
FIG. 11 is a front, top and right side perspective view of an open remote controller;
FIG. 12 is a rear, top and left side perspective view thereof;
FIG. 13 is a front, bottom and left side perspective view thereof;
FIG. 14 is a rear, bottom and right side perspective view thereof;
FIG. 15 is a front elevational view thereof;
FIG. 16 is a rear elevational view thereof;
FIG. 17 is a left side elevational view thereof;
FIG. 18 is a right side elevational view thereof;
FIG. 19 is a top plan view thereof; and,
FIG. 20 is a bottom plan view thereof.

1 Claim, 20 Drawing Sheets



(58) **Field of Classification Search**

CPC .. A61L 2/10; G06F 3/033; G09G 5/08; G08C
19/12; G08C 17/02; G08G 5/08

See application file for complete search history.

(56) **References Cited**

U.S. PATENT DOCUMENTS

D383,800	S	*	9/1997	Ishizaki	D21/332
D411,863	S	*	7/1999	Chan	D21/329
D448,810	S	*	10/2001	Goto	D21/324
D460,450	S	*	7/2002	Goto	D14/356
D547,763	S	*	7/2007	Hayes	D14/401
D603,457	S	*	11/2009	Julskjer	D14/400
D631,922	S	*	2/2011	Kang	D21/453
D637,241	S	*	5/2011	Cheng	D21/566
D657,005	S	*	4/2012	Zahornacky	D21/566
D672,397	S	*	12/2012	Wai	D14/401

OTHER PUBLICATIONS

GoPro Unwraps Backpack—Portable Karma Drone, New Cameras, article date Sep. 19, 2016, site visited Sep. 28, 2016, <http://www.investors.com/news/technology/click/gopro-unwraps-backpack-portable-karma-drone-new-cameras/>.*

Amazon.com: Parabolic Antenna OJI Signal Booster and Range Extender. Antenna Booster for DJI Phantom 4, 3 Pro/Advanced Inspire 1, Review Apr. 2016, 8 pages, [online] [retrieved on Sep. 28, 2016] Retrieved from the internet <URL:https://www.amazon.com/Parabolic-Antenna-Booster-Extender-Advanced/dp/B01_DK4JQNE/ref=cm_cr_arp_d_product_top?ie=UTF8>.

* cited by examiner



FIG. 1

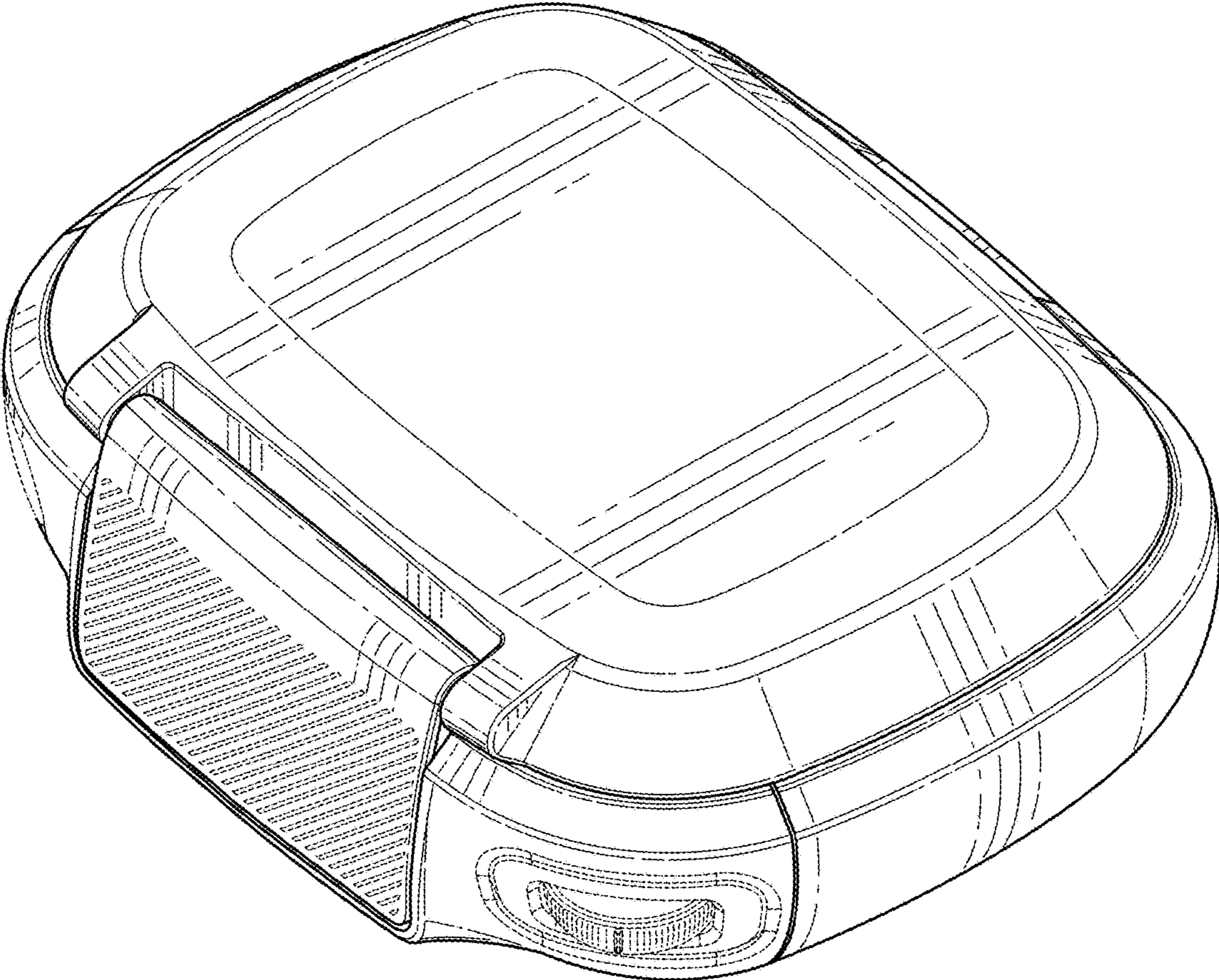


FIG. 2

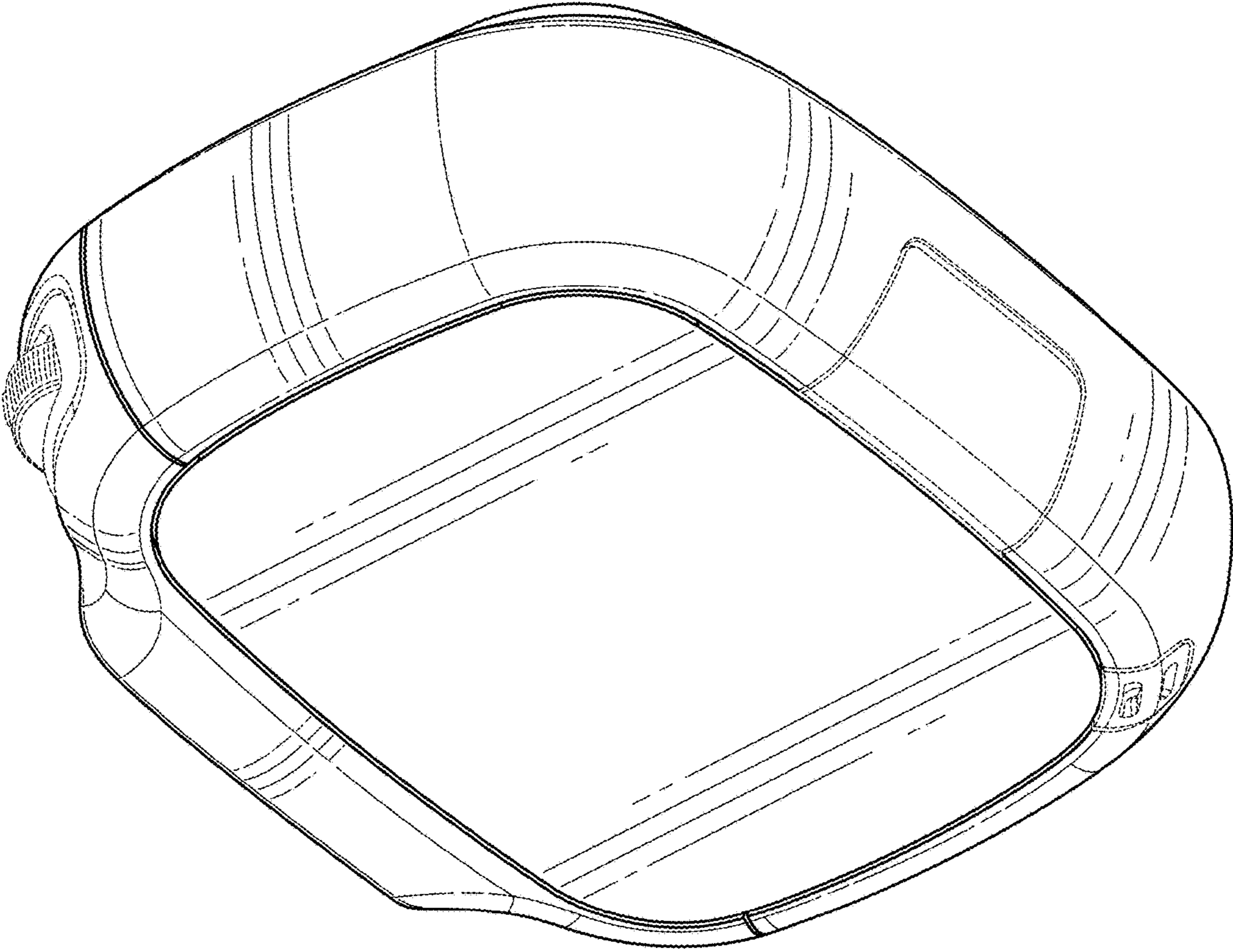


FIG. 3

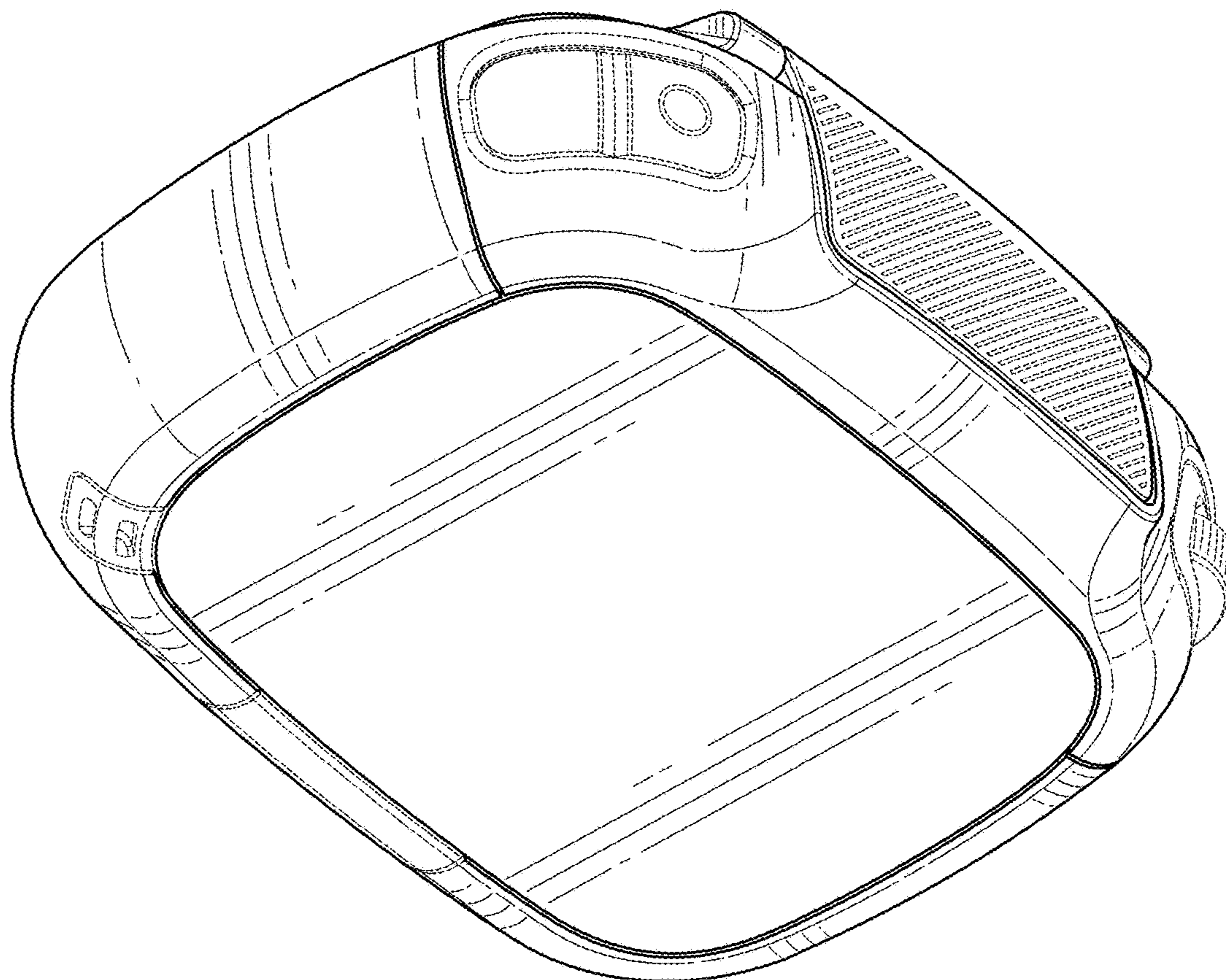


FIG. 4

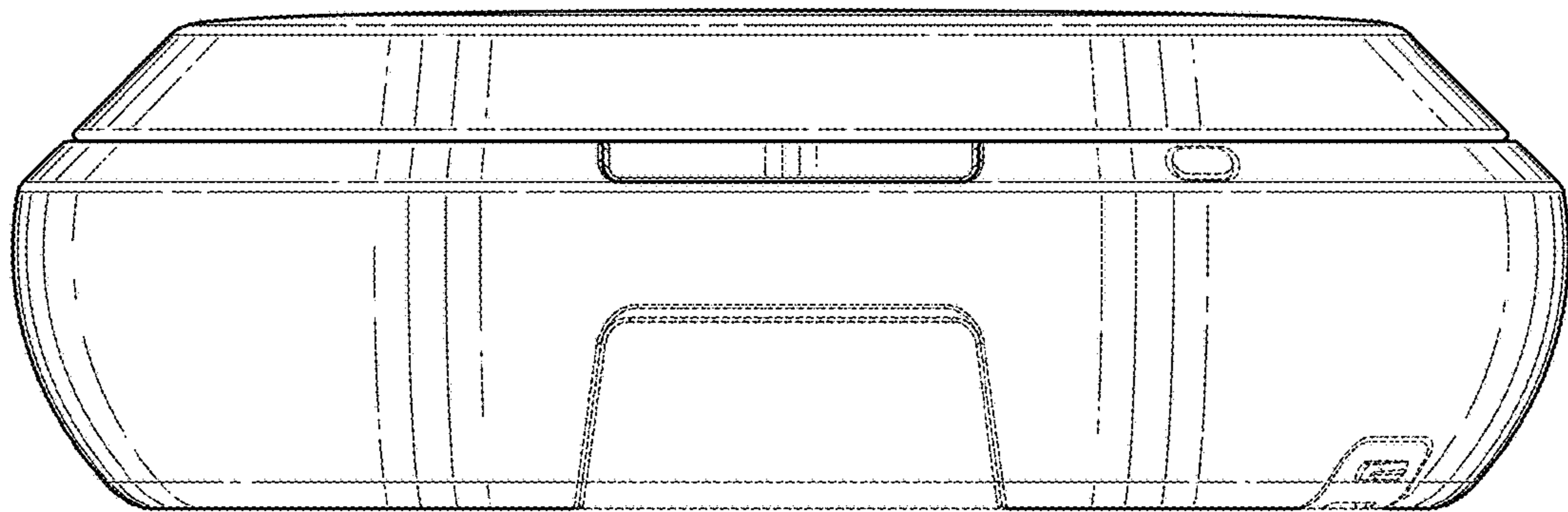


FIG. 5

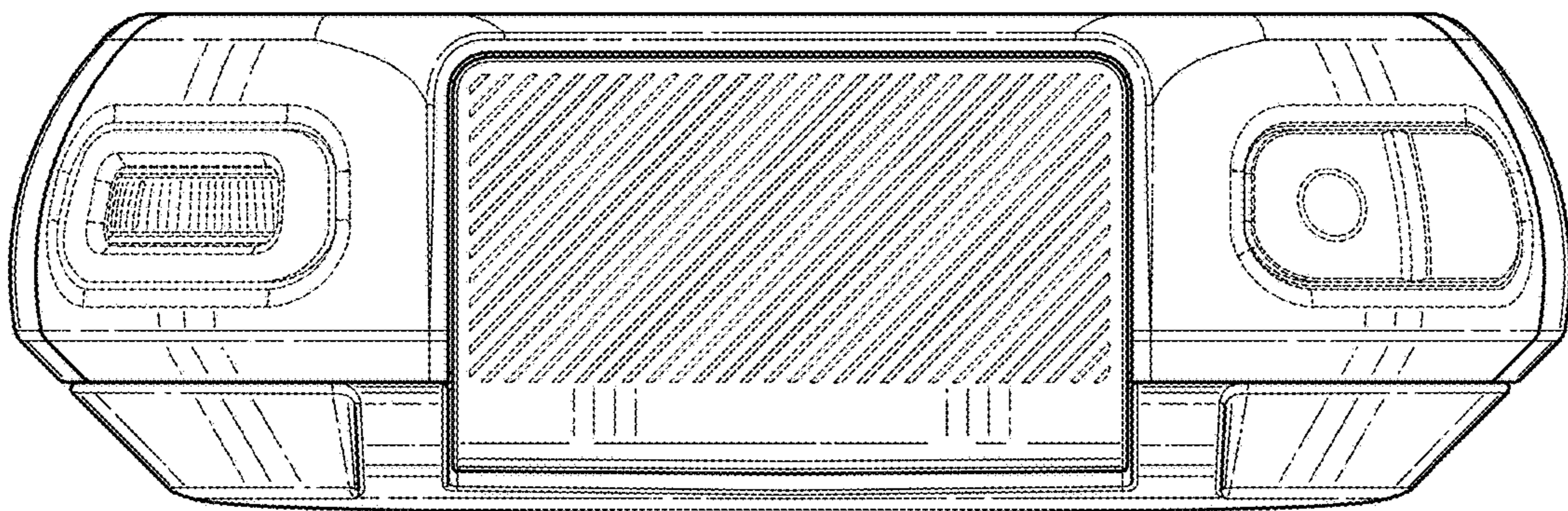


FIG. 6

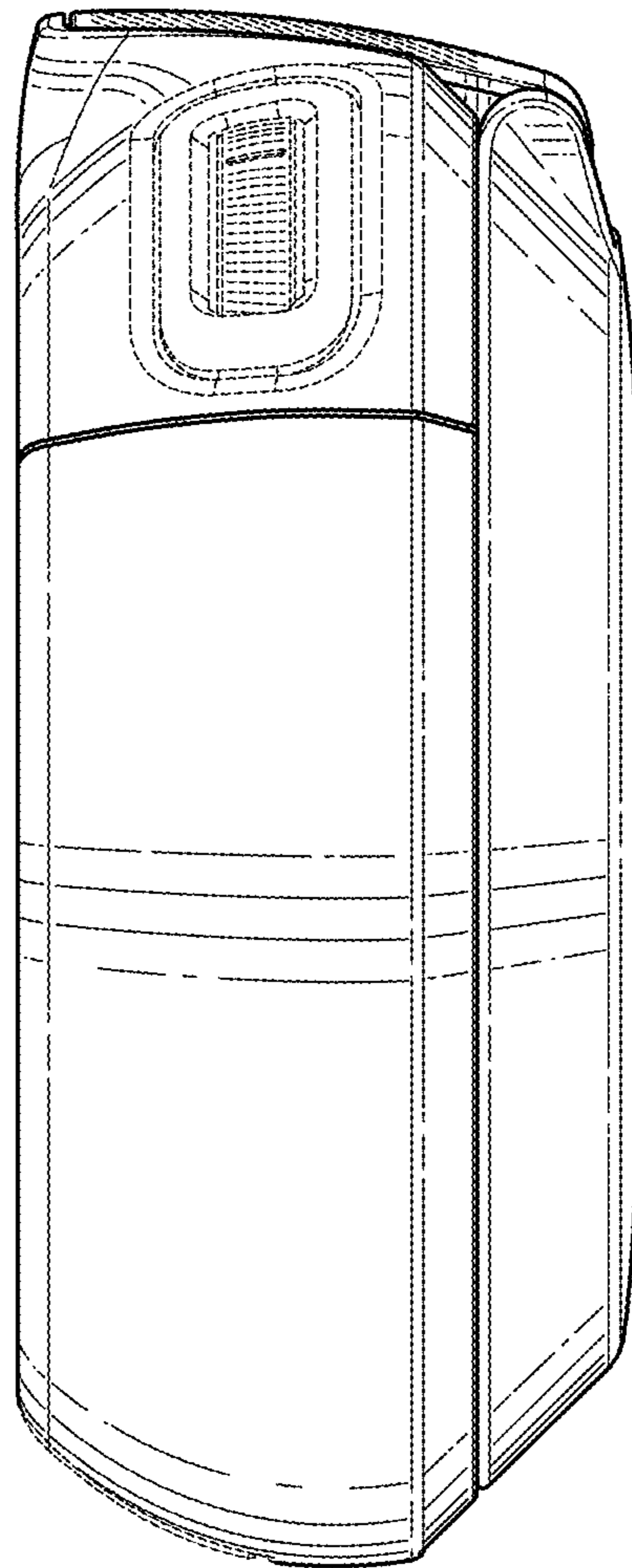


FIG. 7

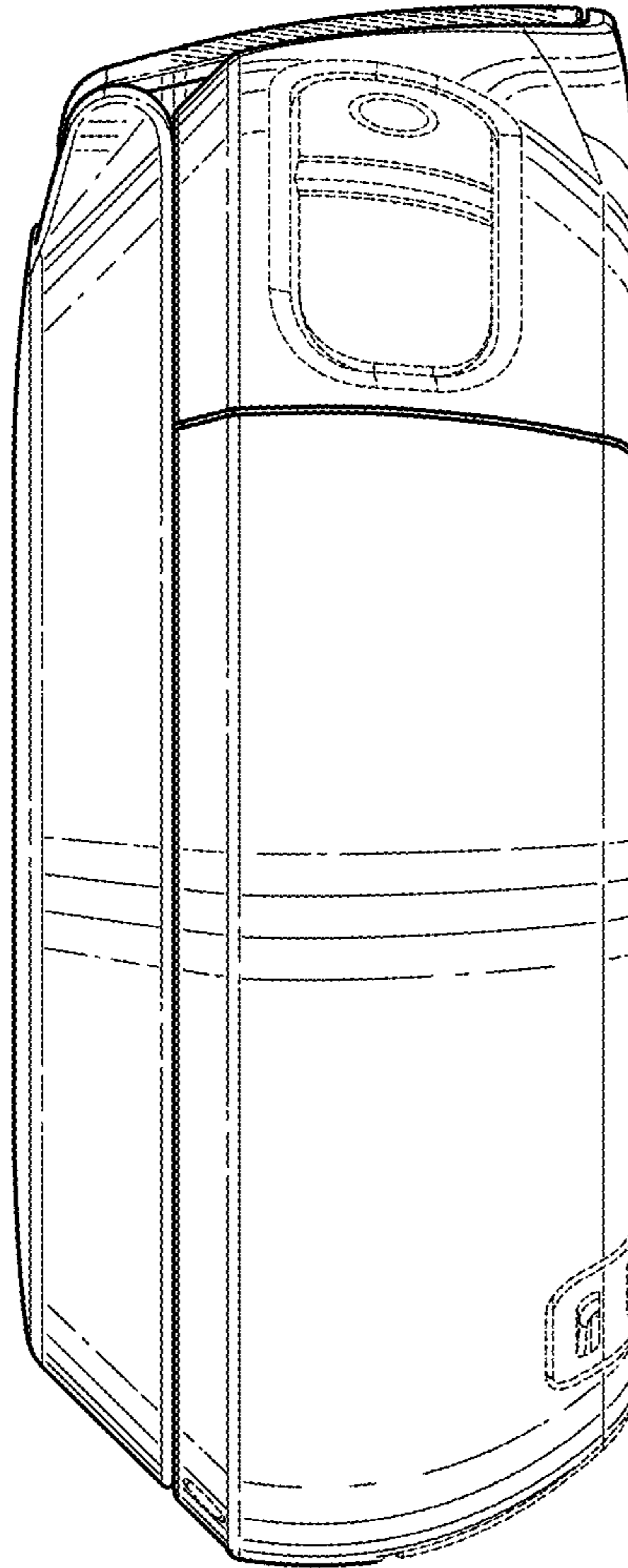


FIG. 8

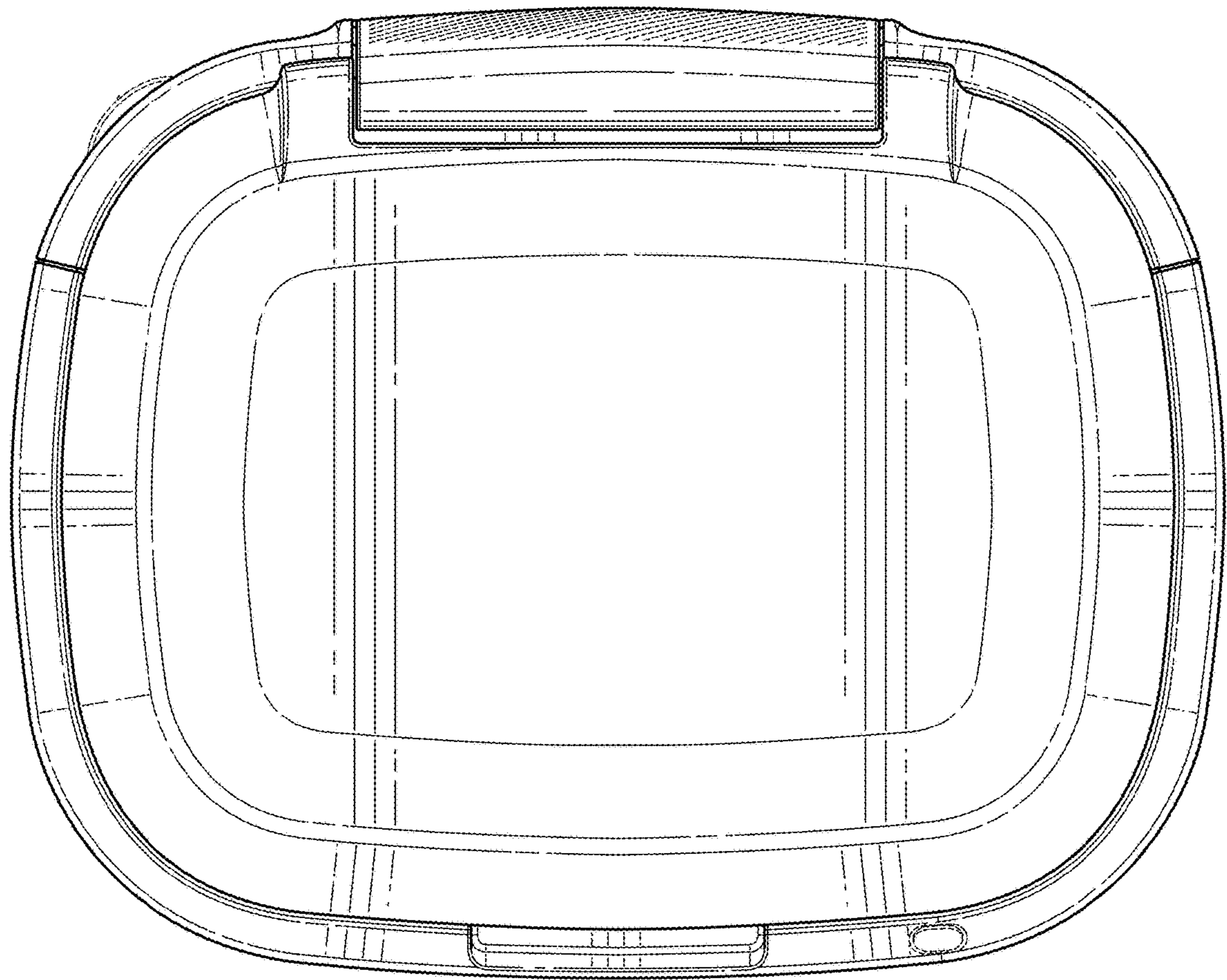


FIG. 9

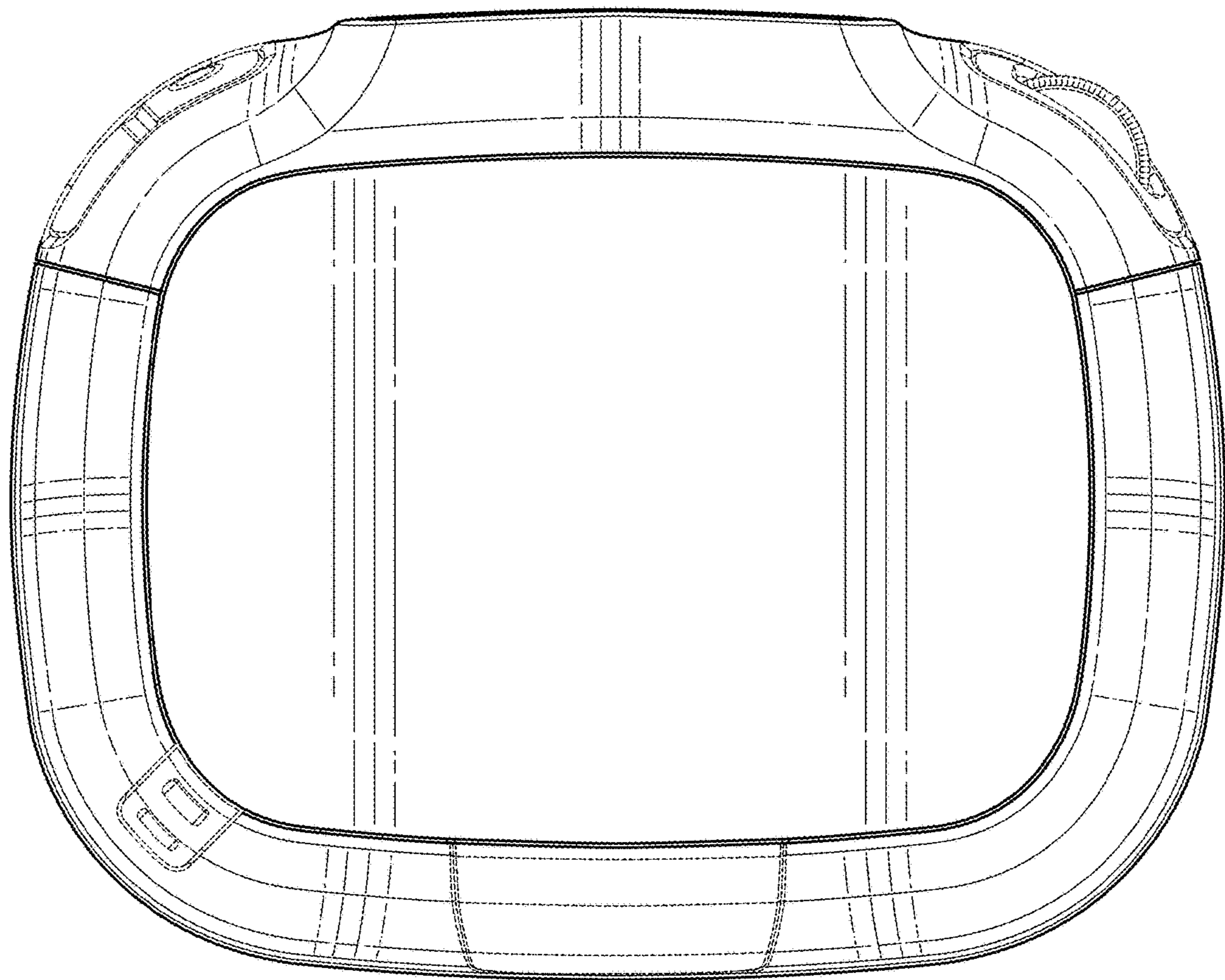


FIG. 10

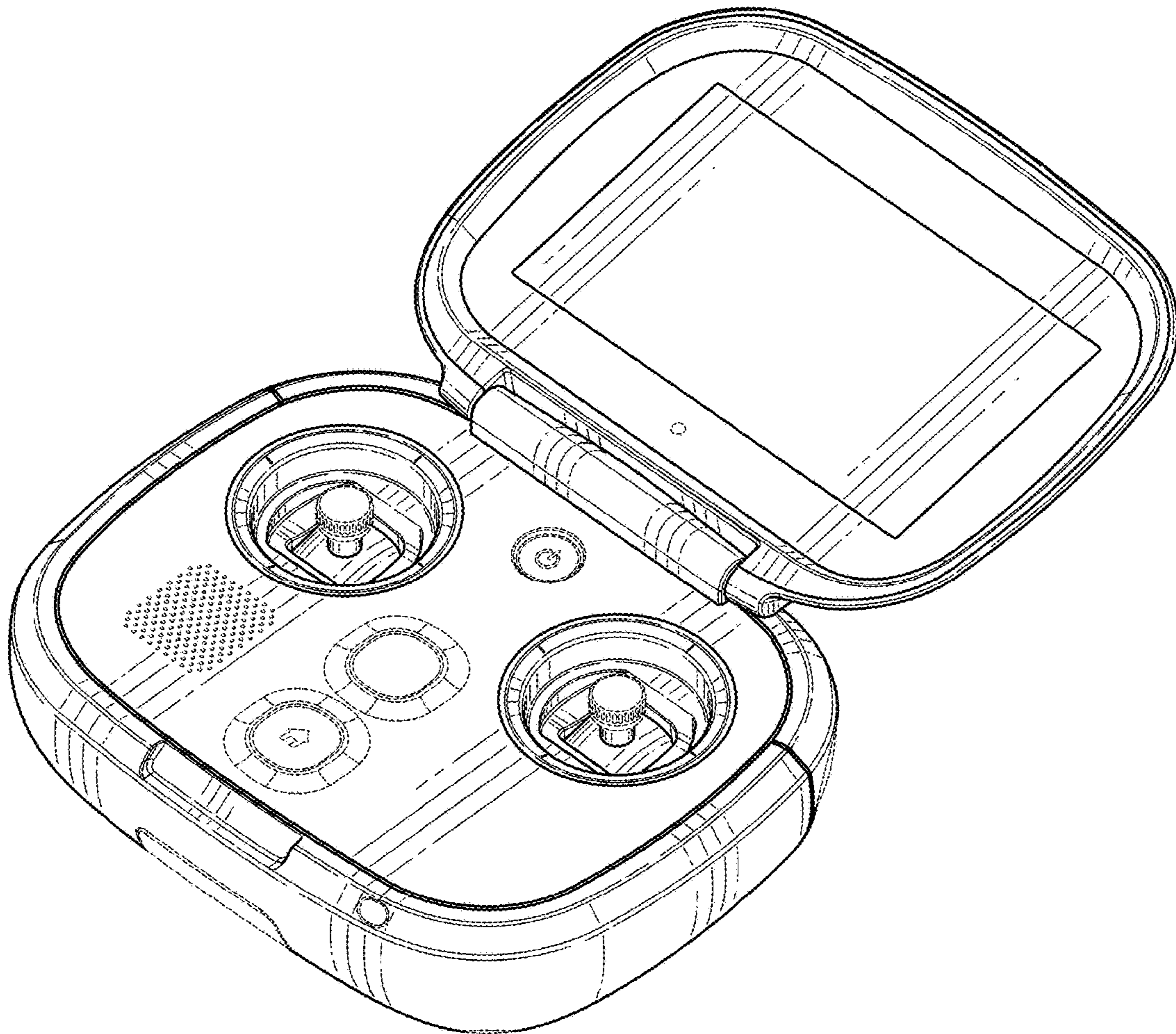


FIG. 11

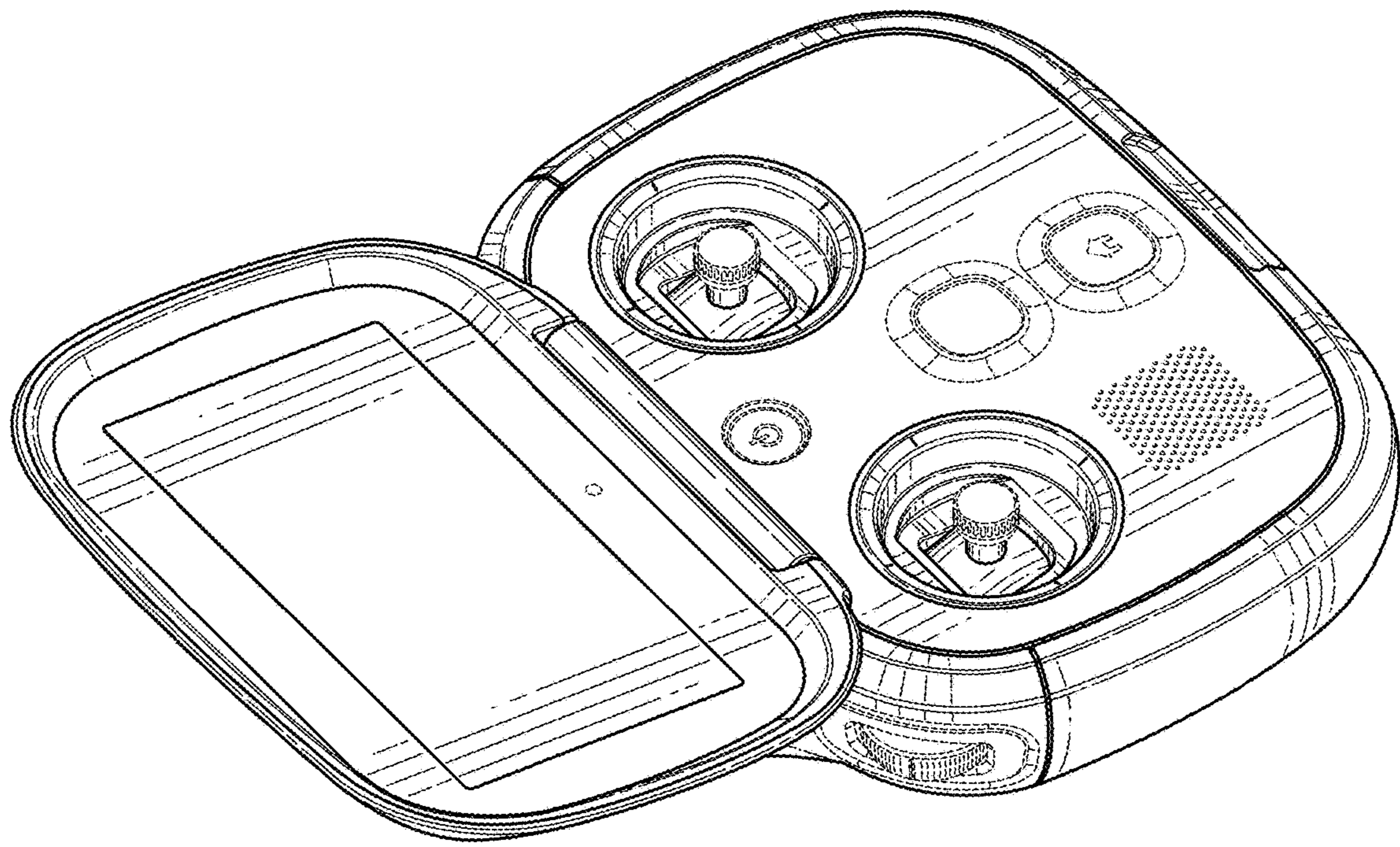


FIG. 12

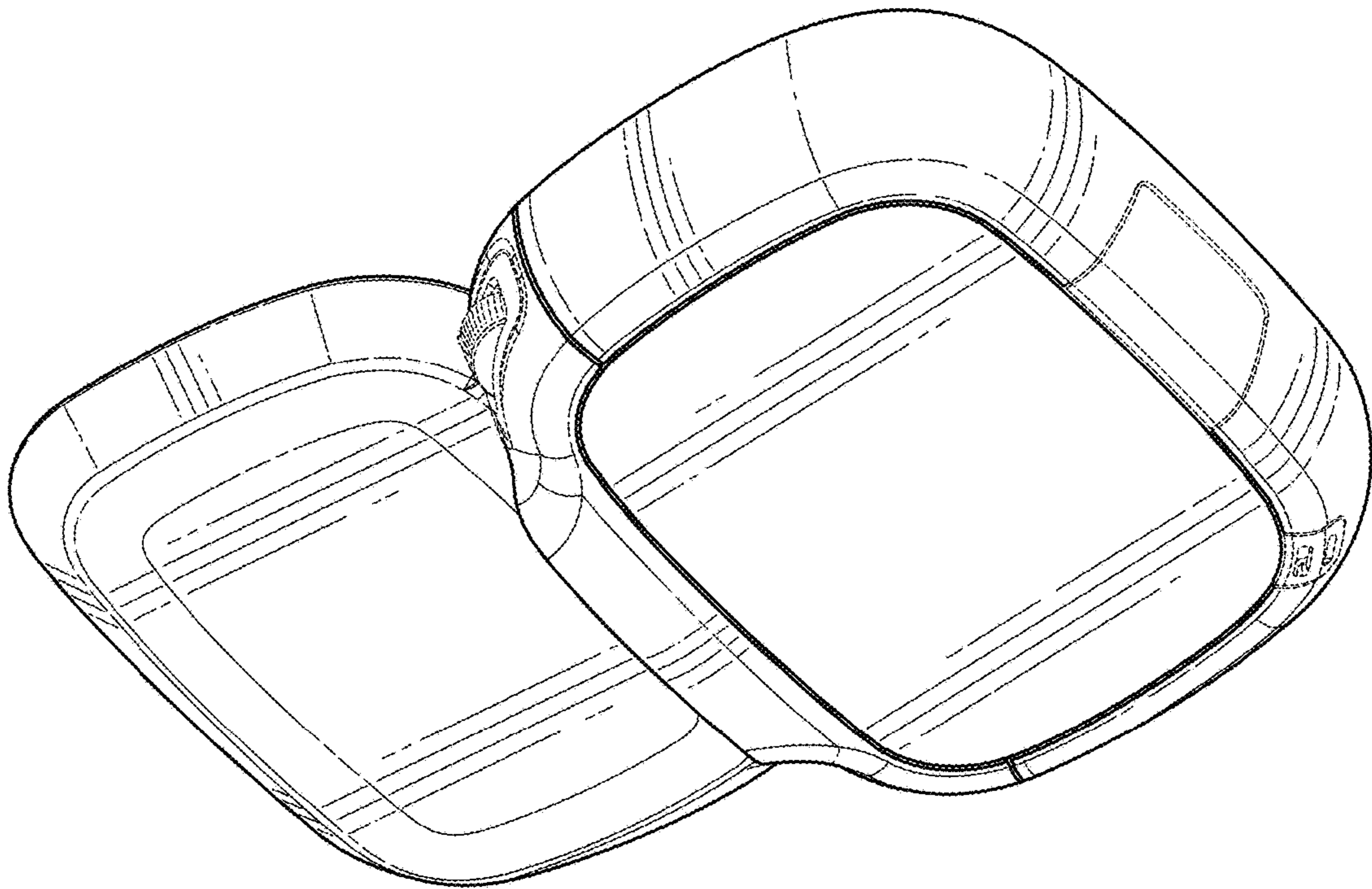


FIG. 13

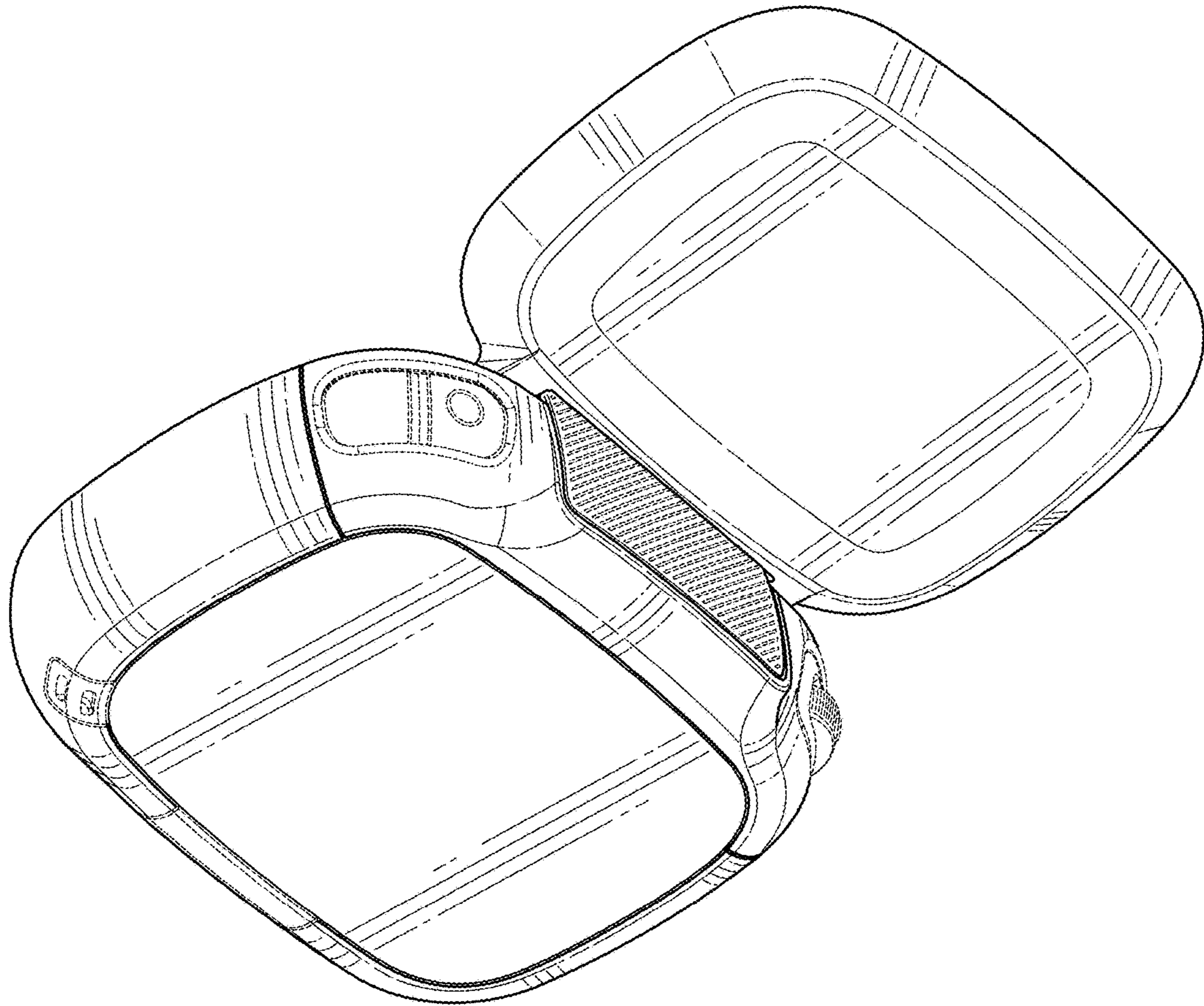


FIG. 14

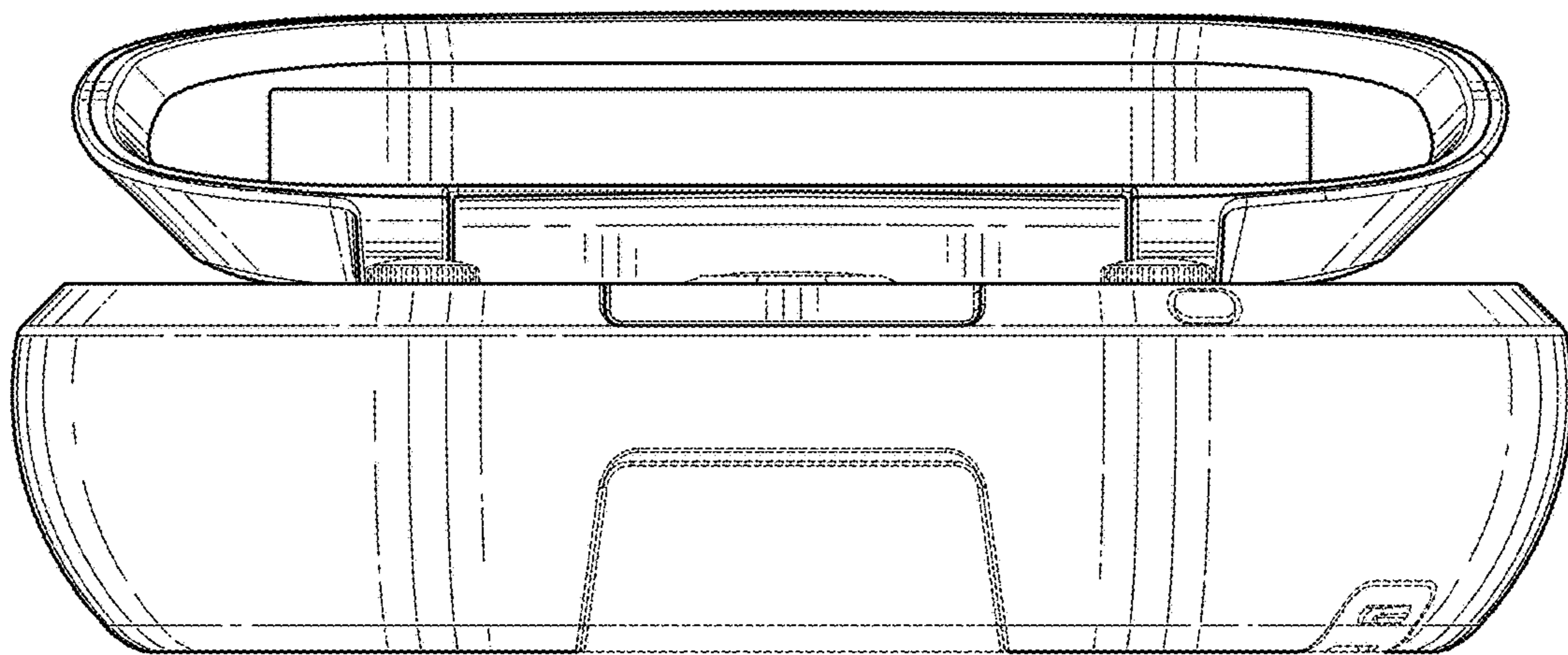


FIG. 15

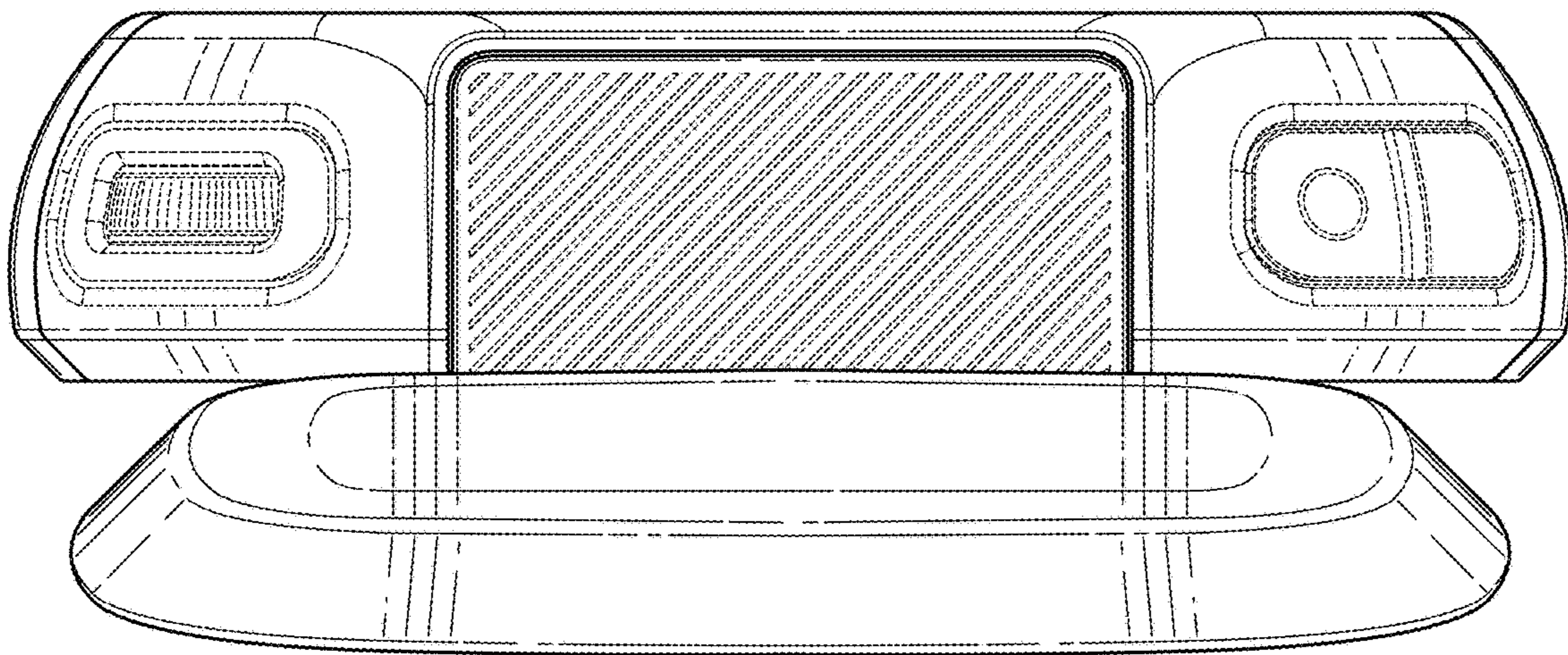


FIG. 16

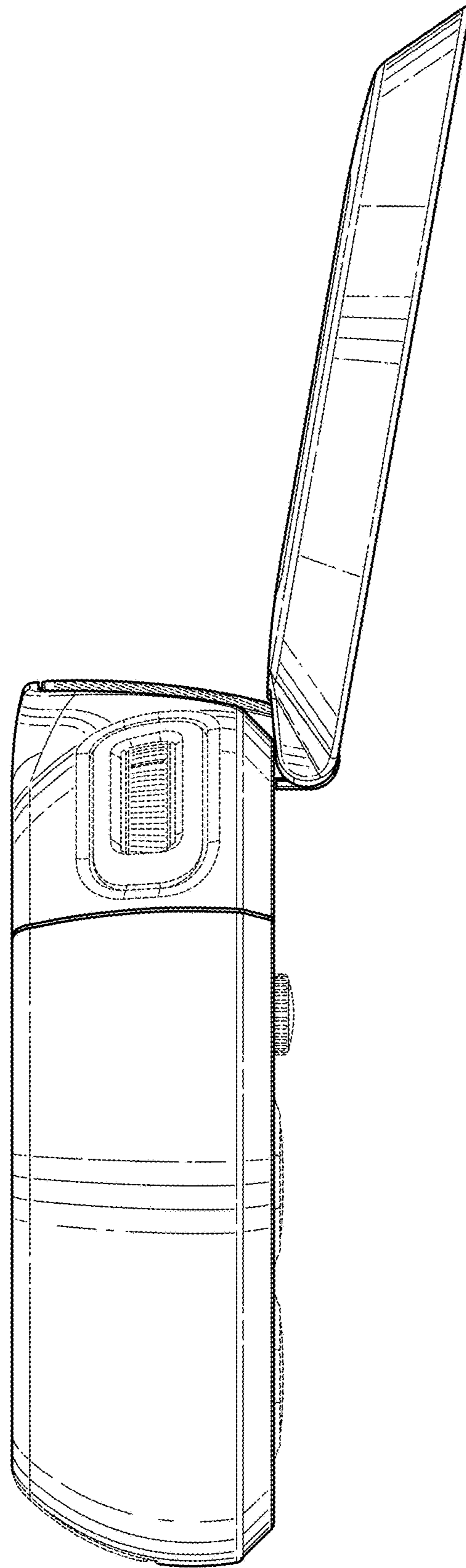


FIG. 17

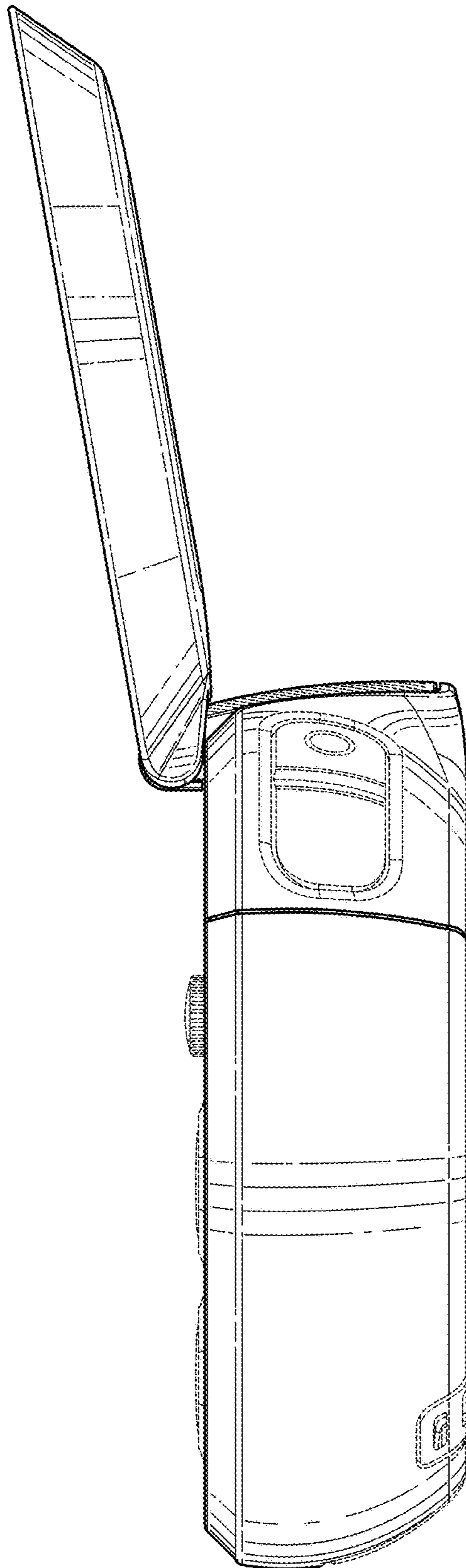


FIG. 18

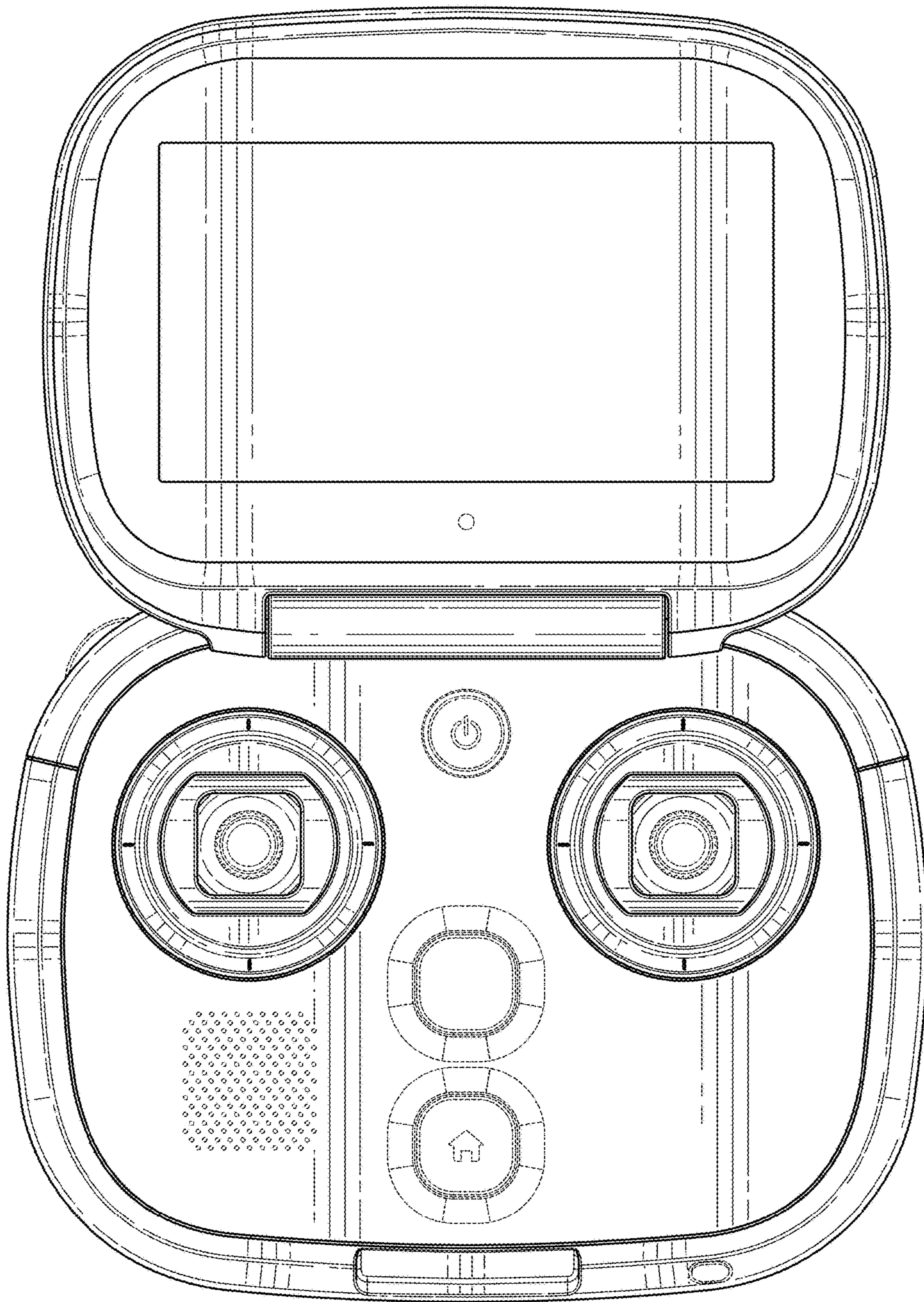


FIG. 19

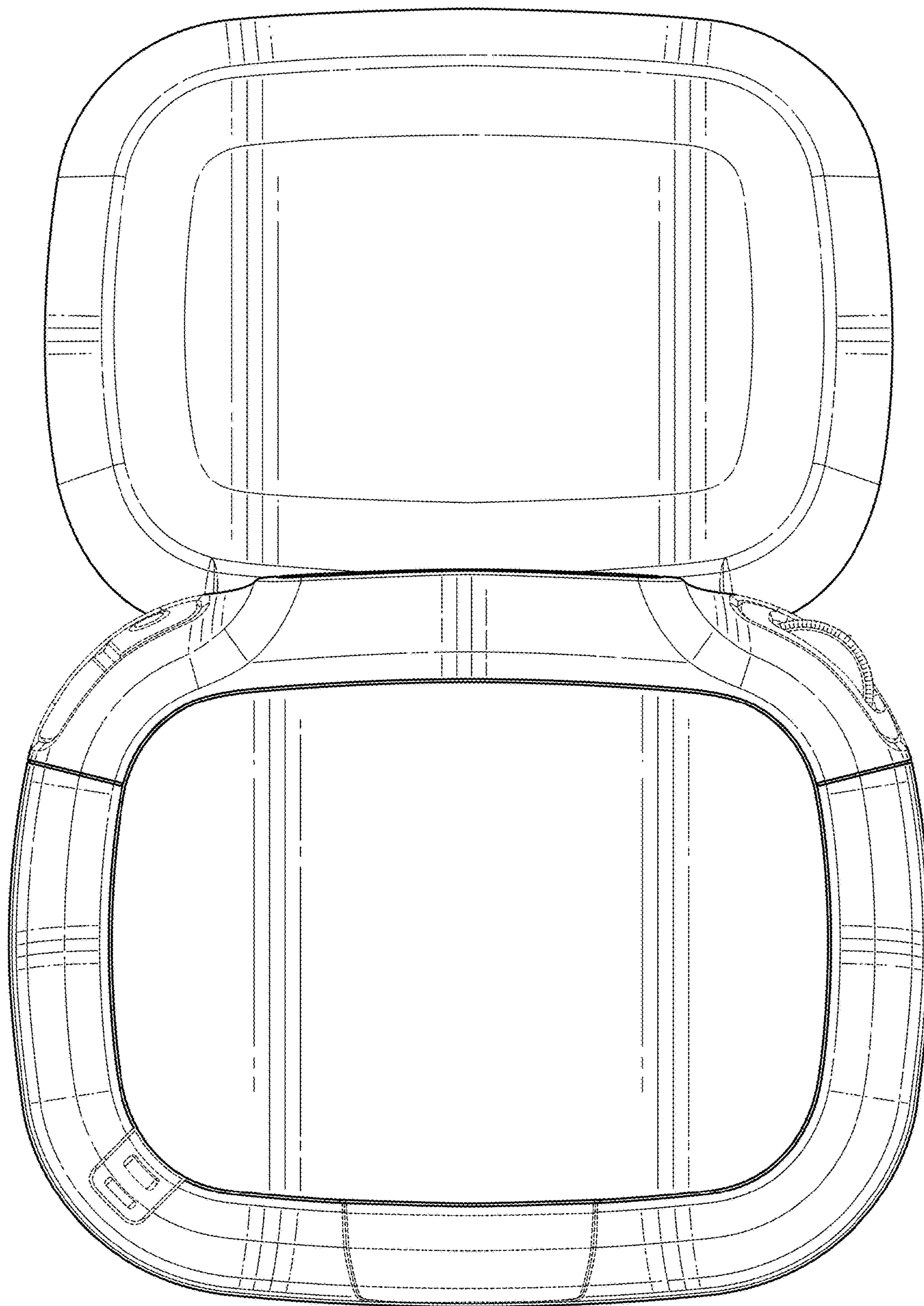


FIG. 20