



US00D804451S

(12) **United States Design Patent** (10) **Patent No.:** **US D804,451 S**  
**Isabelle** (45) **Date of Patent:** **\*\* Dec. 5, 2017**

(54) **MEDIA PLAYER DOCKING STATION FOR BATHING UNIT OR WATERCRAFT**

Feb. 16, 2016 [retrieved on Jul. 13, 2017] <https://sobjprd.questel.fr/export/QPTUJ214/pdf2/e5fdea9d-f1c7-4d0a-9b21-2081cb3d7daa-232954.pdf>.\*

(71) Applicant: **GECKO ALLIANCE GROUP INC.**, Quebec (CA)

(Continued)

(72) Inventor: **Paul Isabelle**, St-Augustin-de-Desmaures (CA)

*Primary Examiner* — Susan Bennett Hattan  
*Assistant Examiner* — Marie D. Fast Horse  
(74) *Attorney, Agent, or Firm* — Sheridan Ross, PC

(73) Assignee: **Gecko Alliance Group Inc.**, Quebec (CA)

(57) **CLAIM**

(\*\*) Term: **15 Years**

I claim the ornamental design for a media player docking station for bathing unit or watercraft, substantially as shown and described.

(21) Appl. No.: **29/547,230**

(22) Filed: **Dec. 2, 2015**

**DESCRIPTION**

(30) **Foreign Application Priority Data**

Jun. 2, 2015 (CA) ..... 162810

(51) **LOC (10) Cl.** ..... **14-03**

(52) **U.S. Cl.**  
USPC ..... **D14/217; D14/434; D14/447; D14/238.1**

(58) **Field of Classification Search**  
USPC ..... D14/434, 440, 447, 251–253, 432, 451, D14/452, 454, 140, 142, 149, 217, 240,  
(Continued)

FIG. 1 is a perspective view of a media player docking station for bathing unit or watercraft according to a first variant of the design;  
FIG. 2 is a front elevation view of the media player docking station for bathing unit or watercraft of FIG. 1;  
FIG. 3 is a left side elevation view of the media player docking station for bathing unit or watercraft of FIG. 1;  
FIG. 4 is a right side elevation view of the media player docking station for bathing unit or watercraft of FIG. 1;  
FIG. 5 is a top view of the media player docking station for bathing unit or watercraft of FIG. 1;  
FIG. 6 is a bottom view of the media player docking station for bathing unit or watercraft of FIG. 1;  
FIG. 7 is a perspective view of a media player docking station for bathing unit or watercraft according to a second variant of the design; and,  
FIG. 8 is a front elevation view of the media player docking station for bathing unit or watercraft of FIG. 7, the right and left side elevation views being identical to the views shown in FIGS. 3 and 4 and the top and bottom view being identical to the views shown in FIGS. 5 and 6.  
The broken lines are used to show portions of the media player docking station for bathing unit or watercraft and form no part of the claimed design.

(56) **References Cited**

**U.S. PATENT DOCUMENTS**

D333,574 S 3/1993 Akeret  
D342,233 S 12/1993 Berlin et al.  
(Continued)

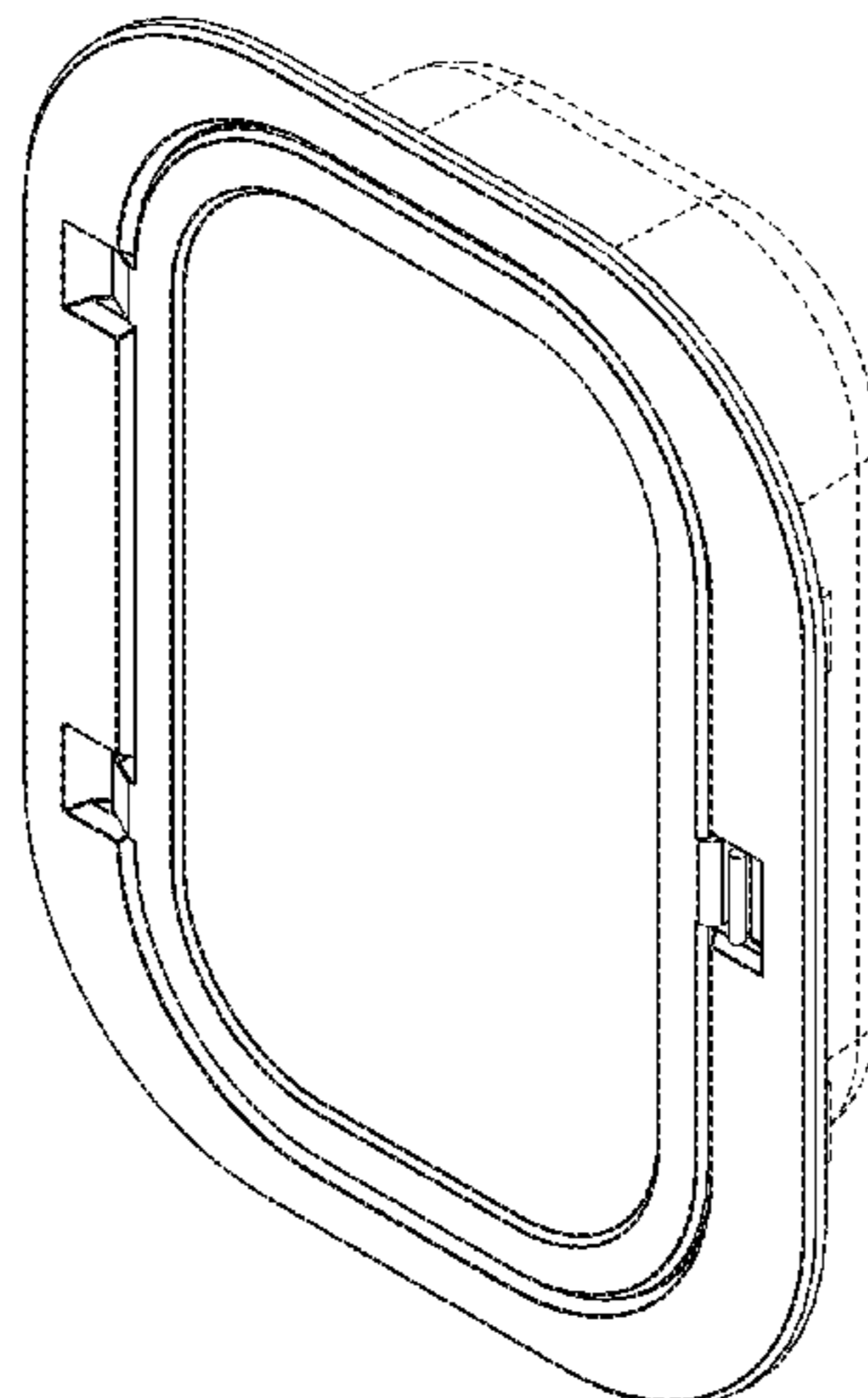
**FOREIGN PATENT DOCUMENTS**

CN 201702053 1/2011

**OTHER PUBLICATIONS**

Media Player Docking Station for Bathing Unit or Watercraft. (Design—©Questel). orbit.com. [online PDF] 8 pgs . Print Date

**1 Claim, 6 Drawing Sheets**



(58) **Field of Classification Search**

USPC ... D14/299, 496, 356, 358, 238.1; D13/103,  
D13/107, 108, 118, 119, 184, 156, 158,  
D13/173, 139.2; D3/201, 215, 218;  
D10/74, 80  
CPC .... G06F 1/1616; G06F 1/1626; G06F 1/1632;  
H01M 10/44; F16M 11/10; H02J 7/0042;  
H02J 7/00; H02J 7/0027; H02J 7/0044;  
H02J 7/0045; H04R 1/44; H04R  
2205/021  
See application file for complete search history.

D690,661 S 10/2013 Wisniewski  
D690,693 S 10/2013 Akana  
D692,008 S \* 10/2013 Feldstein ..... D14/447  
D693,340 S 11/2013 Ohshima  
D694,195 S 11/2013 Gammon  
D695,702 S 12/2013 Kim  
8,690,590 B2 \* 4/2014 Byrne ..... H01R 25/006  
439/131  
D713,830 S 9/2014 Dhondt  
8,873,226 B1 10/2014 Peters  
D720,358 S \* 12/2014 Ginsterblum ..... D14/447  
D721,377 S \* 1/2015 Pelster ..... D14/447  
8,951,054 B2 \* 2/2015 Byrne ..... H01R 13/447  
307/104

(56) **References Cited**

U.S. PATENT DOCUMENTS

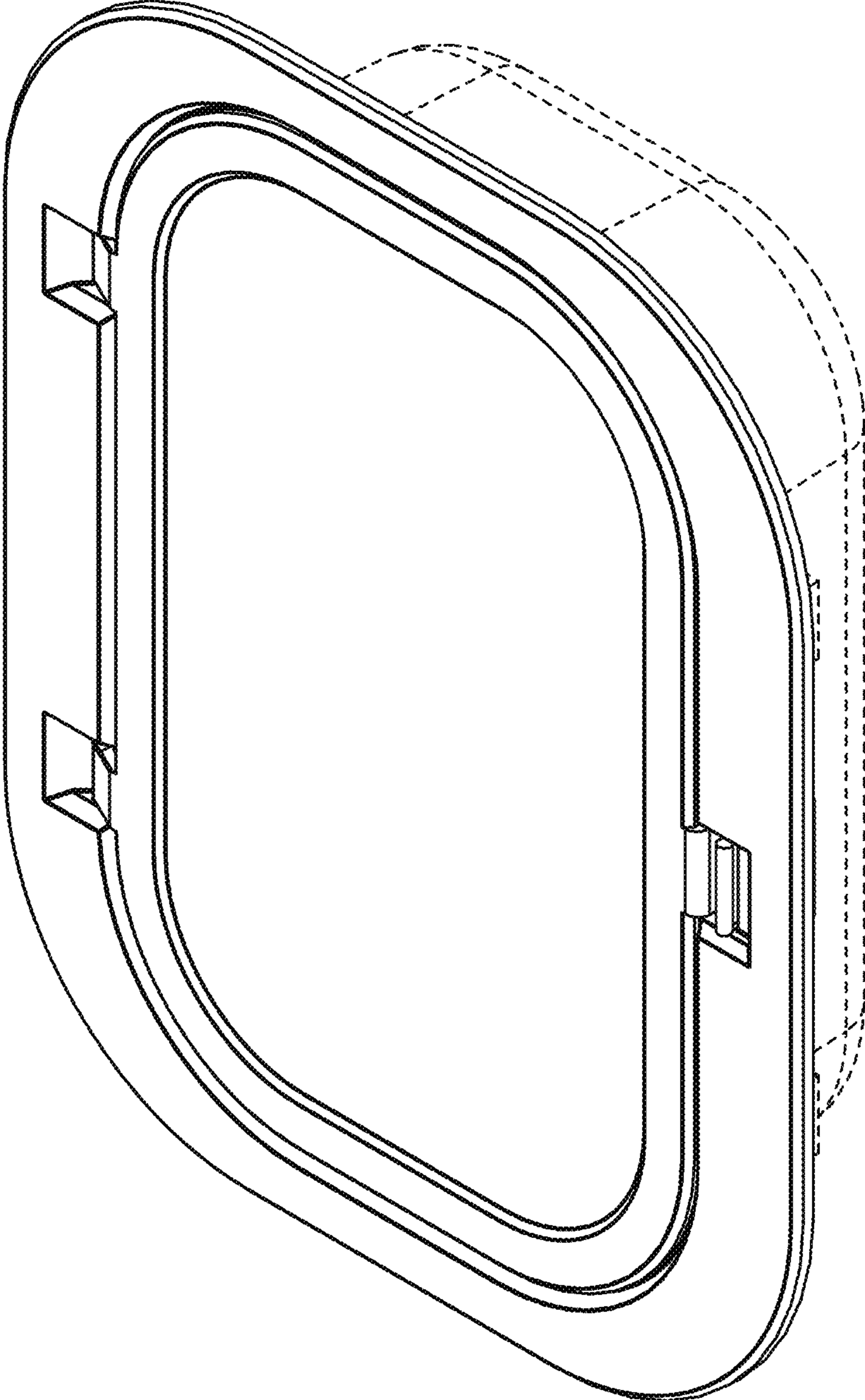
D353,363 S \* 12/1994 Toby ..... D13/139.4  
D367,878 S 3/1996 Lee et al.  
D378,438 S 3/1997 Sliney  
5,709,156 A \* 1/1998 Gevaert ..... A47B 21/06  
108/26  
D395,283 S 6/1998 Monaco et al.  
D465,201 S \* 11/2002 Gershfeld ..... D13/139.4  
D467,230 S \* 12/2002 Byrne ..... D13/156  
D468,701 S \* 1/2003 Byrne ..... D13/156  
D472,213 S \* 3/2003 Byrne ..... D13/139.4  
D486,452 S 2/2004 Dinh  
D504,889 S 5/2005 Bartley  
D517,311 S 3/2006 Kim  
D517,482 S \* 3/2006 Nipke ..... D13/139.2  
D549,451 S 8/2007 Sann  
D550,210 S 9/2007 Polany et al.  
D560,170 S 1/2008 Ni  
D561,472 S 2/2008 Nakamura  
D584,711 S 1/2009 Kim  
D584,738 S 1/2009 Kim  
D586,787 S 2/2009 Rivard et al.  
D586,800 S 2/2009 Andre  
D591,682 S \* 5/2009 Lin ..... D13/139.2  
D596,173 S 7/2009 Arfin  
D597,067 S 7/2009 Oh  
D600,690 S 9/2009 Miyaji  
D601,127 S 9/2009 Rivard et al.  
D602,488 S 10/2009 Jiang  
D614,871 S 5/2010 Tang  
D621,548 S 8/2010 Chen  
D625,928 S 10/2010 Lee  
D627,777 S 11/2010 Akana  
D636,769 S 4/2011 Wood  
D647,303 S \* 10/2011 Mish ..... D3/294  
D650,784 S \* 12/2011 Feldstein ..... D14/434  
D652,390 S \* 1/2012 Boehm ..... D13/158  
D654,077 S \* 2/2012 Radin ..... D14/434  
8,149,222 B2 4/2012 Hsieh  
8,172,604 B2 \* 5/2012 Byrne ..... A47B 21/06  
439/131  
D667,396 S 9/2012 Koh  
8,273,825 B2 9/2012 Lin et al.  
D675,612 S 2/2013 Andre  
8,369,082 B2 \* 2/2013 Madonna ..... F16M 11/041  
361/679.41  
D677,660 S 3/2013 Groene  
D678,215 S \* 3/2013 Brantley ..... H02G 3/14  
D13/156  
D684,872 S 6/2013 Bias  
D684,936 S \* 6/2013 Brantley ..... H02G 3/14  
D13/156  
8,498,103 B2 7/2013 Graneto, III

D727,857 S 4/2015 Acera  
D729,793 S 5/2015 Hickok  
9,069,201 B2 6/2015 Pipitone et al.  
D734,179 S 7/2015 Golden  
D734,610 S \* 7/2015 Christie ..... D3/304  
D743,349 S 11/2015 Leeland  
D744,433 S 12/2015 Baumgartner  
D752,517 S \* 3/2016 Scott ..... D13/139.4  
D752,568 S 3/2016 Kang  
D759,018 S \* 6/2016 Subramaniam ..... D14/434  
D759,642 S \* 6/2016 Chao ..... D14/250  
D769,231 S 10/2016 Kwak  
D770,973 S 11/2016 Toth  
D777,119 S 1/2017 Lin  
2004/0095332 A1 5/2004 Blanchard  
2005/0123161 A1 6/2005 Polany et al.  
2007/0274101 A1 11/2007 Cho et al.  
2009/0106890 A1 4/2009 Rosenau  
2010/0038223 A1 2/2010 Laurent  
2010/0070059 A1 3/2010 LaFlamme et al.  
2012/0068832 A1 \* 3/2012 Feldstein ..... F16M 11/041  
340/12.5  
2013/0027892 A1 1/2013 Lim  
2013/0161489 A1 6/2013 Gardner, Jr.  
2013/0279142 A1 10/2013 Wang  
2014/0043256 A1 2/2014 Wu  
2015/0021064 A1 1/2015 Wang et al.  
2015/0055034 A1 2/2015 Pipitone et al.  
2015/0062087 A1 3/2015 Cho et al.  
2016/0324026 A1 11/2016 Kang et al.  
2017/0017315 A1 1/2017 Laflamme et al.

OTHER PUBLICATIONS

Official Action for Canadian Patent Application No. 2897248, dated Nov. 28, 2016, 4 pages.  
Official Action for U.S. Appl. No. 14/798,906, dated Sep. 16, 2016, 17 pages.  
Official Action for U.S. Appl. No. 29/531,050, dated Dec. 30, 2016, 5 pages, Restriction Requirement.  
Balboa Water Group, "Topside Spa Panel Manual", <http://balboawatergroup.com/Topside-Spa-Panels>, pages consulted on Jun. 22, 2015.  
Gecko Alliance Inc., "Our Products : In.k800", [geckoalliance.com/en/aqua\\_f/Products/ProductInfo/75/In.k800](http://geckoalliance.com/en/aqua_f/Products/ProductInfo/75/In.k800), pages consulted on Jun. 22, 2015.  
Gecko Alliance Inc., "Our Products : In.k19/35", [https://geckoalliance.com/en/aqua\\_f/Products/ProductInfo/62/In.k19\\_35](https://geckoalliance.com/en/aqua_f/Products/ProductInfo/62/In.k19_35), pages consulted on Jun. 22, 2015.  
Official Action for U.S. Appl. No. 14/798,906, dated Apr. 13, 2017, 22 pages.  
Official Action for U.S. Appl. No. 29/531,050, dated Apr. 18, 2017, 23 pages.

\* cited by examiner



**FIG. 1**

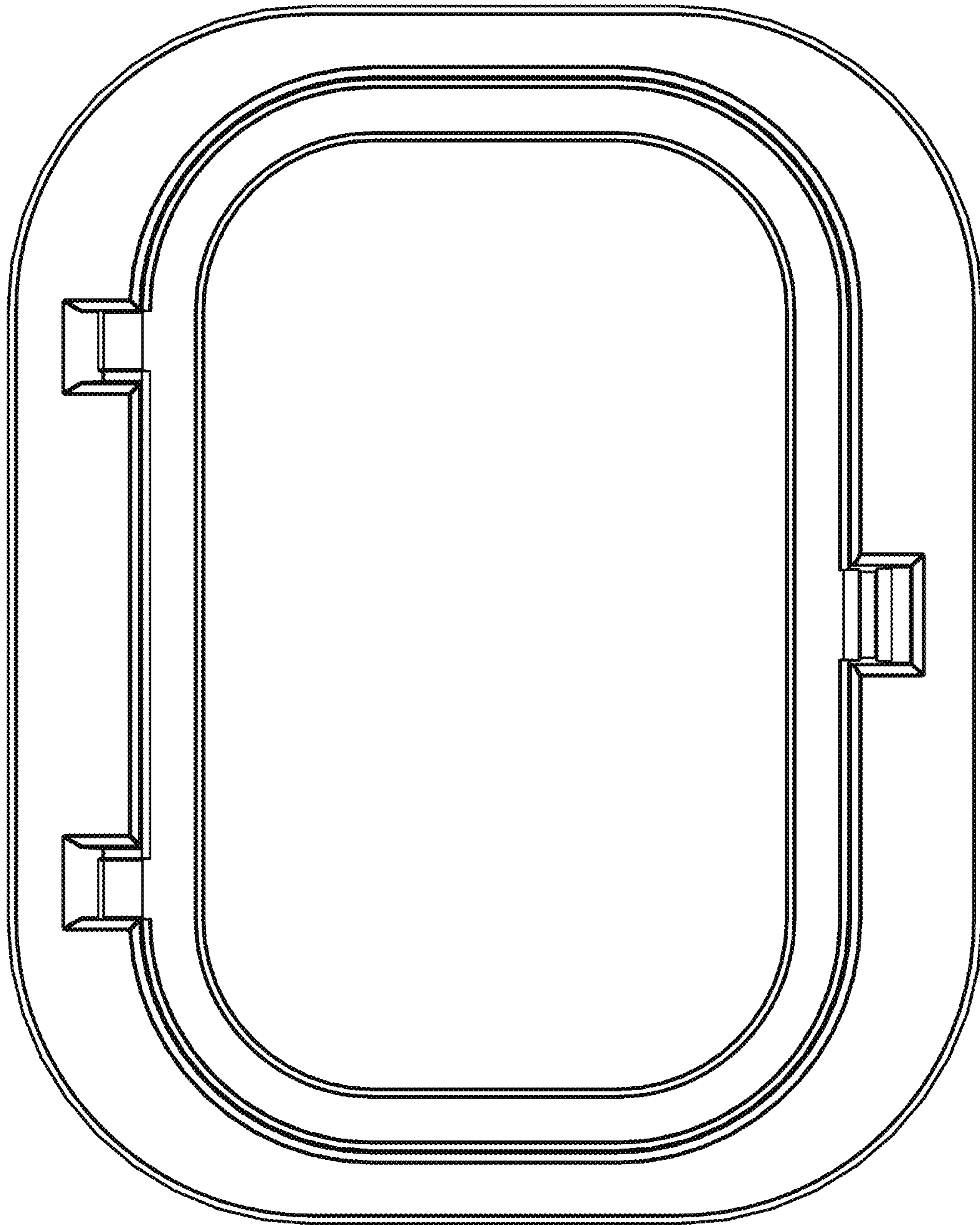
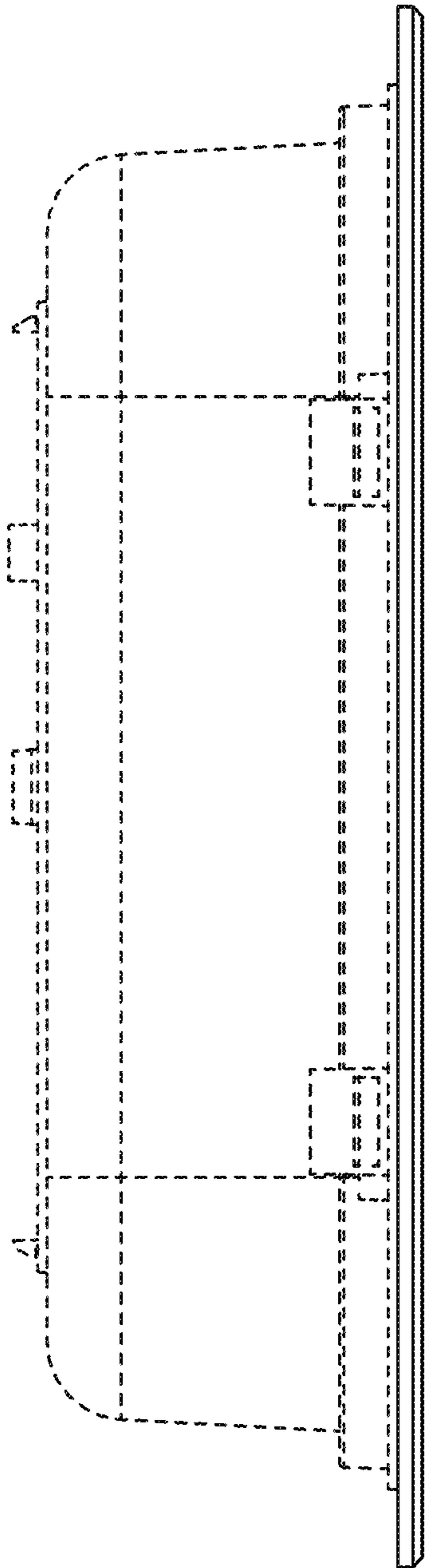
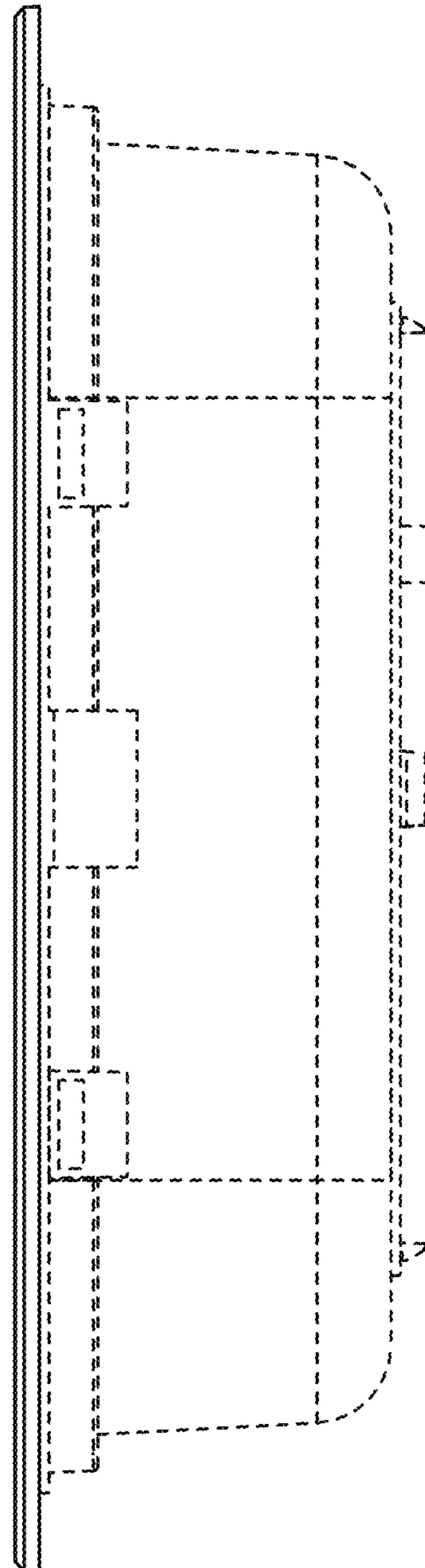


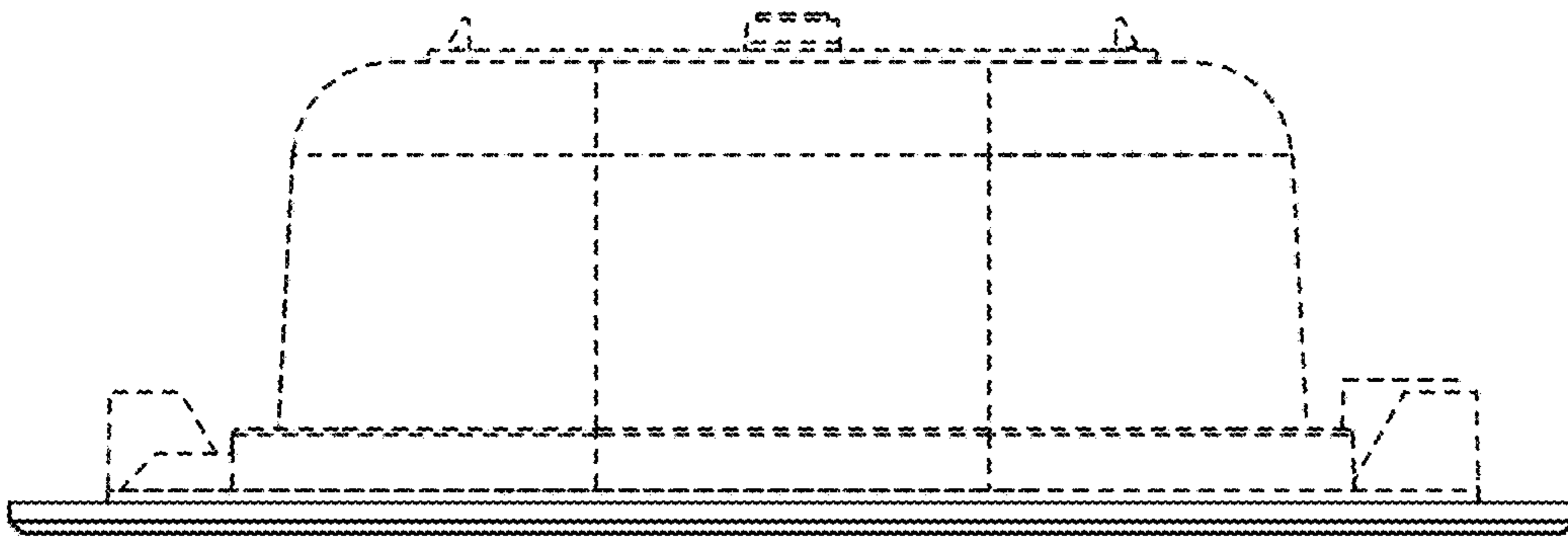
FIG. 2



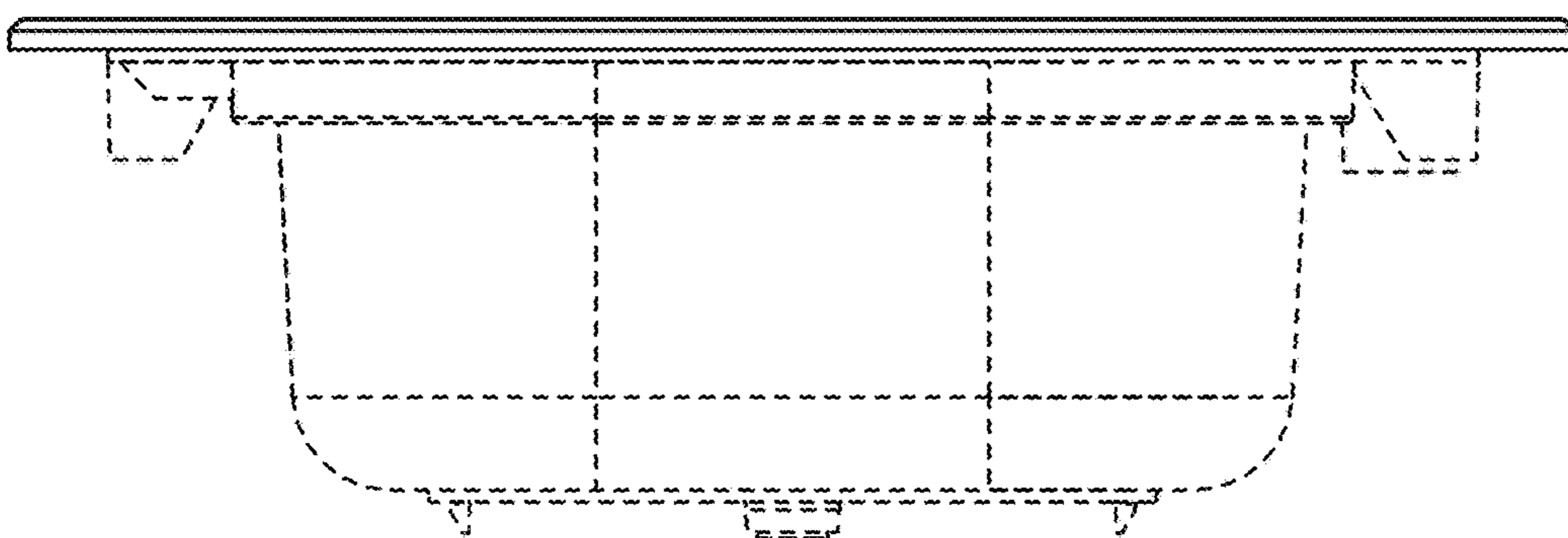
**FIG. 3**



**FIG. 4**



**FIG. 5**



**FIG. 6**

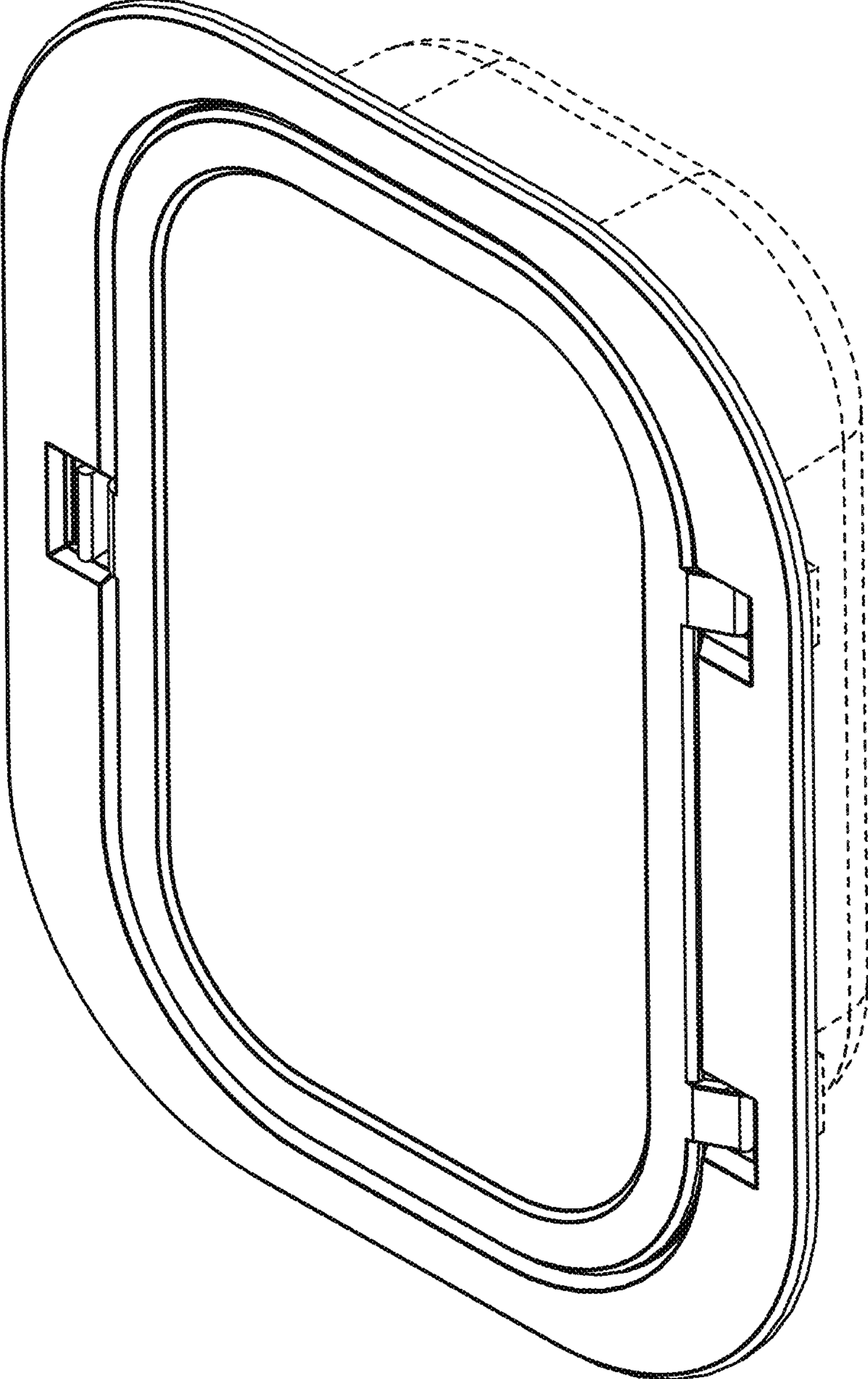


FIG. 7

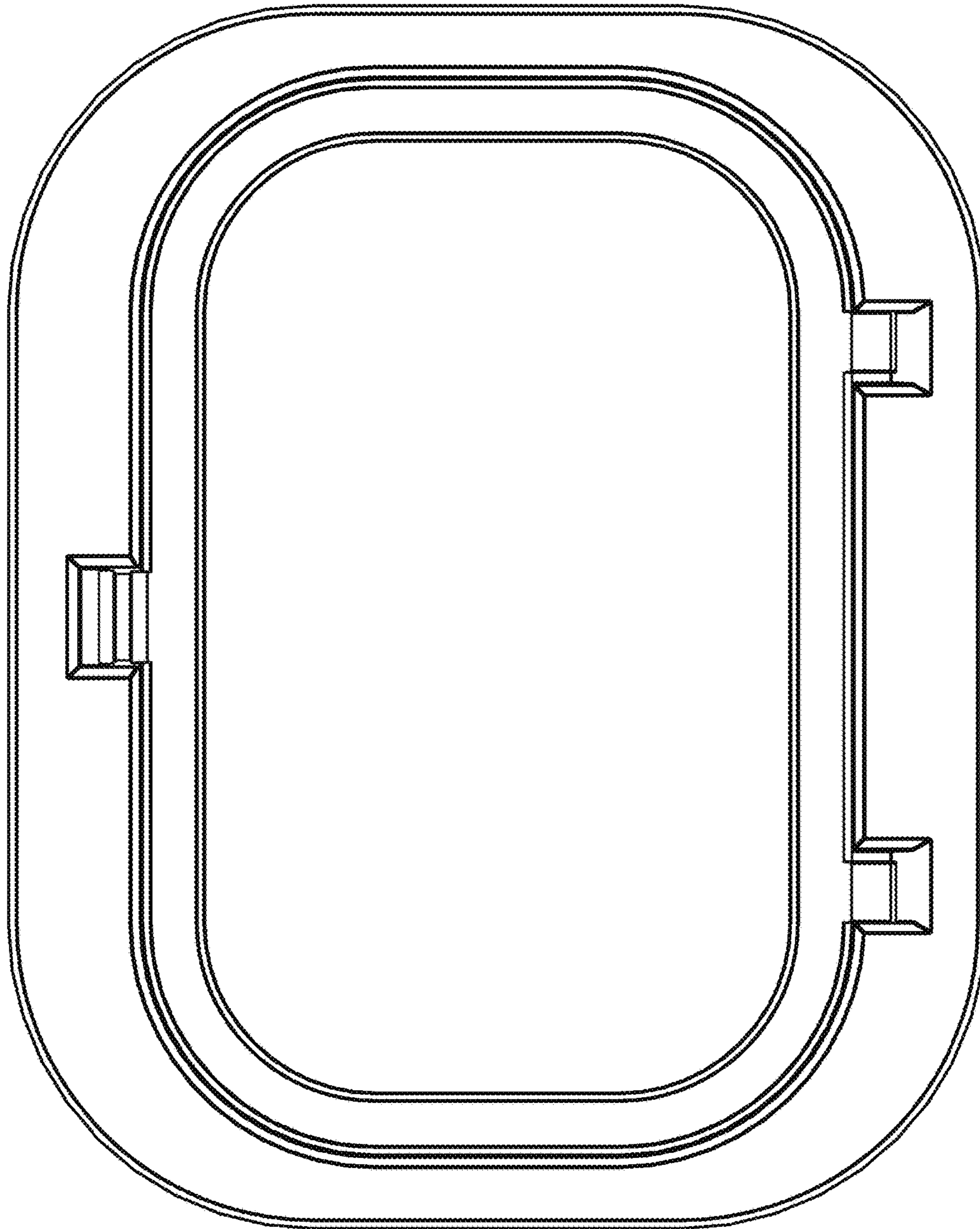


FIG. 8