



US00D804450S

(12) **United States Design Patent** (10) **Patent No.:** **US D804,450 S**
Spiel et al. (45) **Date of Patent:** **** Dec. 5, 2017**

(54) **CASE FOR WIRELESS ELECTRONIC EQUIPMENT**

(71) Applicant: **Cisco Technology, Inc.**, San Jose, CA (US)

(72) Inventors: **Seth Spiel**, San Francisco, CA (US); **Jennifer Ouk**, San Francisco, CA (US); **Matthew Cho**, San Francisco, CA (US); **Morgan Teachworth**, Mountain View, CA (US)

(73) Assignee: **CISCO TECHNOLOGY, INC.**, San Jose, CA (US)

(**) Term: **15 Years**

(21) Appl. No.: **29/533,264**

(22) Filed: **Jul. 15, 2015**

(51) **LOC (10) Cl.** **14-01**

(52) **U.S. Cl.**
USPC **D14/217**

(58) **Field of Classification Search**
USPC D13/133, 139.3, 139.4, 152, 156, 155, D13/158, 160, 162, 184, 199; D14/217, D14/240, 242, 243, 435.1, 357, 358, 348, D14/155, 137, 139
CPC ... H04W 4/008; H04W 12/06; H04W 76/023; H04W 12/08; H04W 24/02; H04W 64/00; H04W 88/06; H04W 4/001; H04W 52/0216; H04W 84/045; H04W 84/12; H04W 12/04; H04W 28/16; H04W 36/30; H04W 4/00; H04W 4/005; H04W 4/02; H04W 4/021; H04W 60/00; H04W 72/04; H04W 72/0446; H04W 72/0453; H04W 76/021; H04W 76/028; H04W 12/02; H04W 24/10; H04W 28/08; H04W 28/24; H04W 36/0016; H04W 36/0055; H04W 36/0088; H04W 36/08; H04W 36/14; H04W 36/22; H04W 36/32; H04W 52/0274; H04W 52/22; H04W 52/28;

H04W 52/34; H04W 52/365; H04W 56/001; H04W 56/004; H04W 56/0065; H04W 60/04; H04W 60/06; H04W 64/003; H04W 64/006; H04W 72/005; H04W 72/0406; H04W 72/12; H04W 72/1252; H04W 72/126

See application file for complete search history.

(56) **References Cited**

U.S. PATENT DOCUMENTS

D552,603	S	*	10/2007	Tierney	D14/155
D637,569	S	*	5/2011	Desai	D14/126
D691,636	S	*	10/2013	Bunton	D14/496
D744,464	S	*	12/2015	Snyder	D14/240
D757,424	S	*	5/2016	Phillips	D3/218

(Continued)

Primary Examiner — Ian Simmons

Assistant Examiner — Khawaja Anwar

(74) *Attorney, Agent, or Firm* — Polsinelli PC

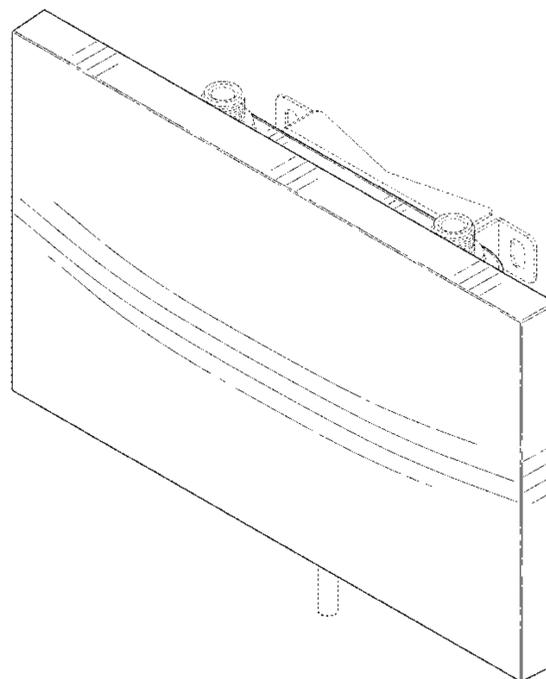
(57) **CLAIM**

We claim the ornamental design for a case for wireless electronic equipment, as shown and described.

DESCRIPTION

FIG. 1 is a perspective view of a first embodiment of a case for wireless electronic equipment, showing my new design; FIG. 2 is a front elevational view thereof; FIG. 3 is a rear elevational view thereof; FIG. 4 is a left side elevational view thereof; FIG. 5 is a right side elevational view thereof; FIG. 6 is a top plan view thereof; and, FIG. 7 is a bottom plan view thereof. Broken lines are for illustrating unclaimed portions of the case for wireless electronic equipment and for illustrating the environment thereof; the broken lines form no part of the claimed design.

1 Claim, 7 Drawing Sheets



(56)

References Cited

U.S. PATENT DOCUMENTS

D759,639 S *	6/2016	Moon	D14/242
D767,548 S *	9/2016	Snyder	D14/240
D776,634 S *	1/2017	Lee	D14/205
2006/0126882 A1 *	6/2006	Deng	H04R 1/1033 381/381

* cited by examiner

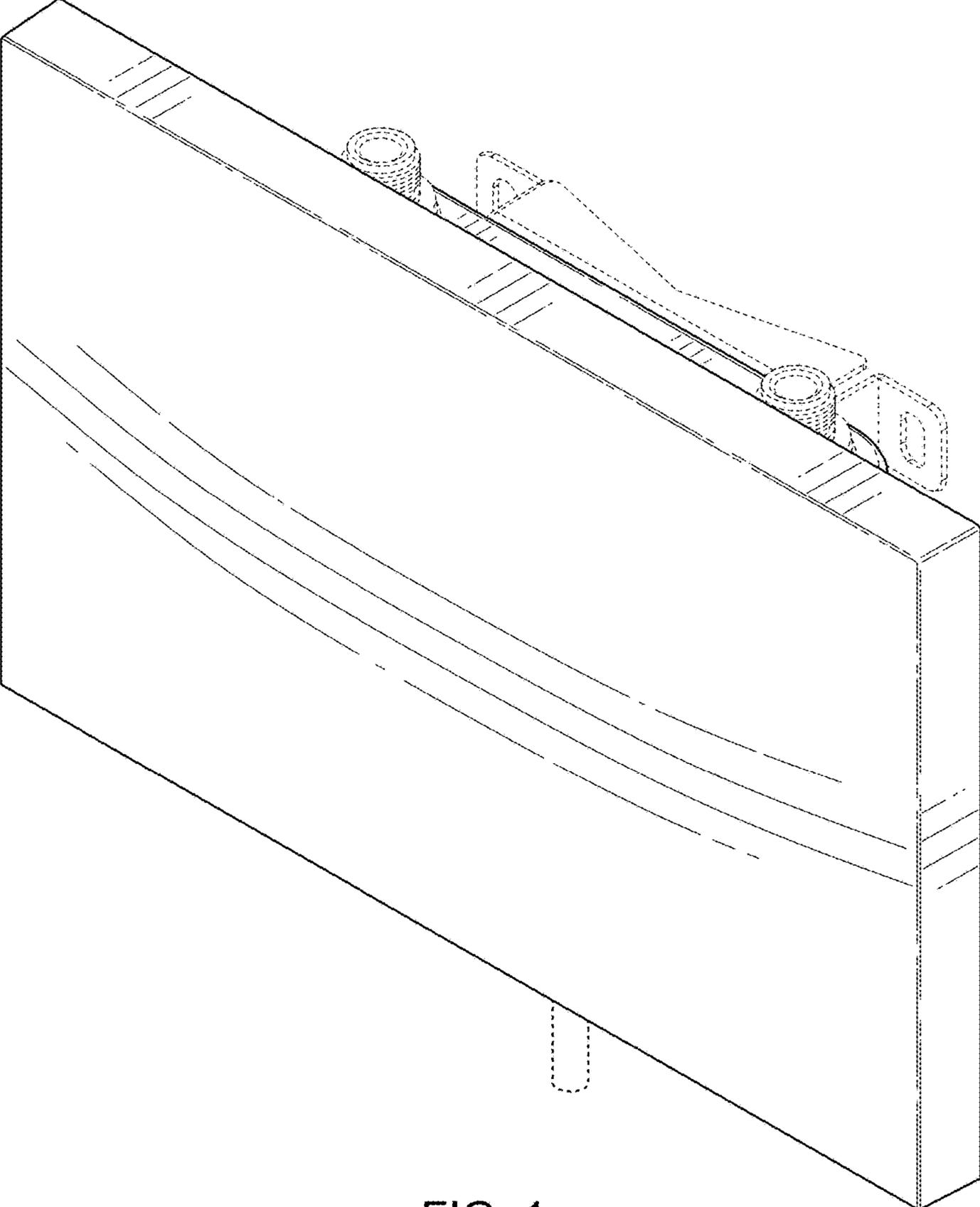


FIG. 1

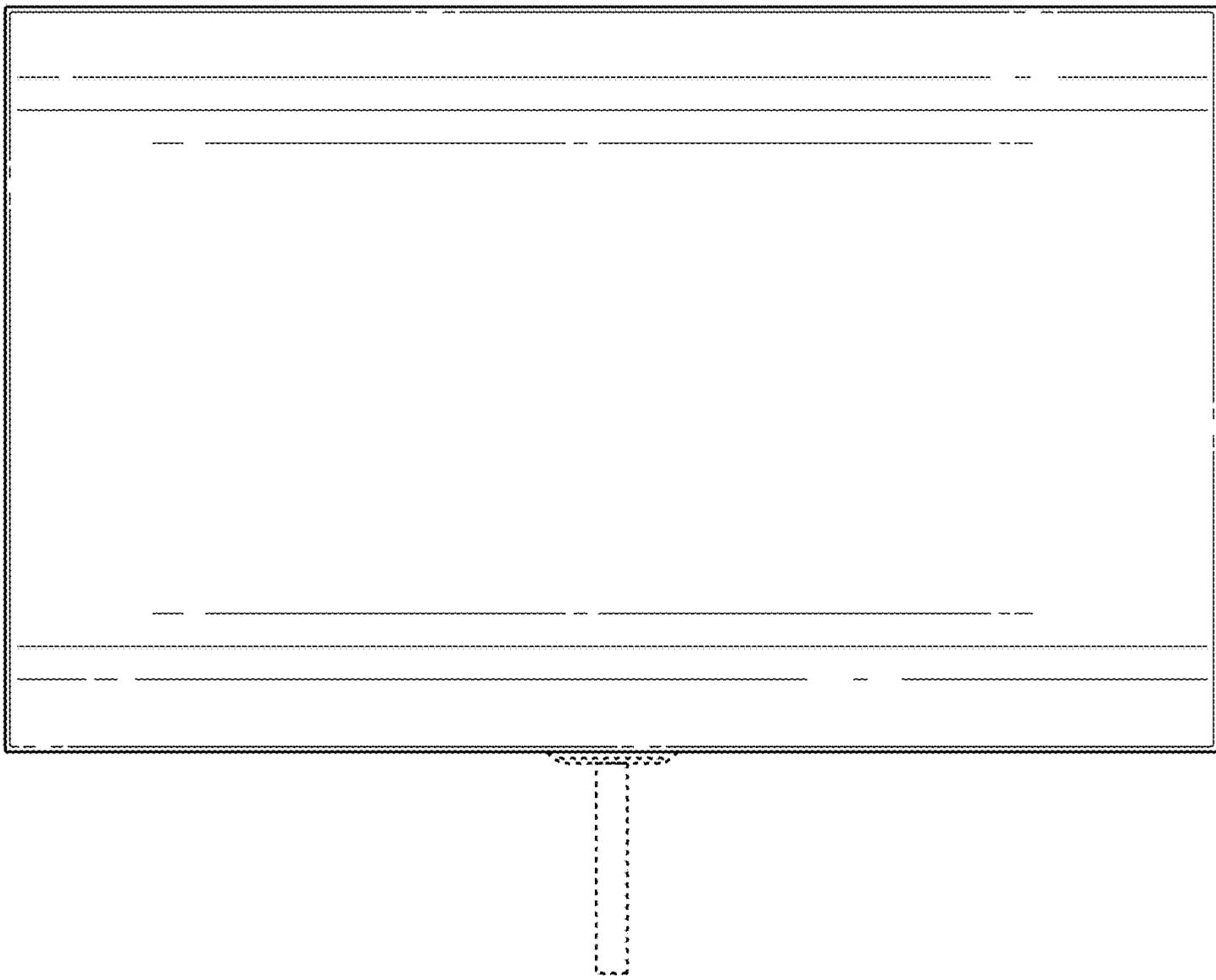


FIG. 2

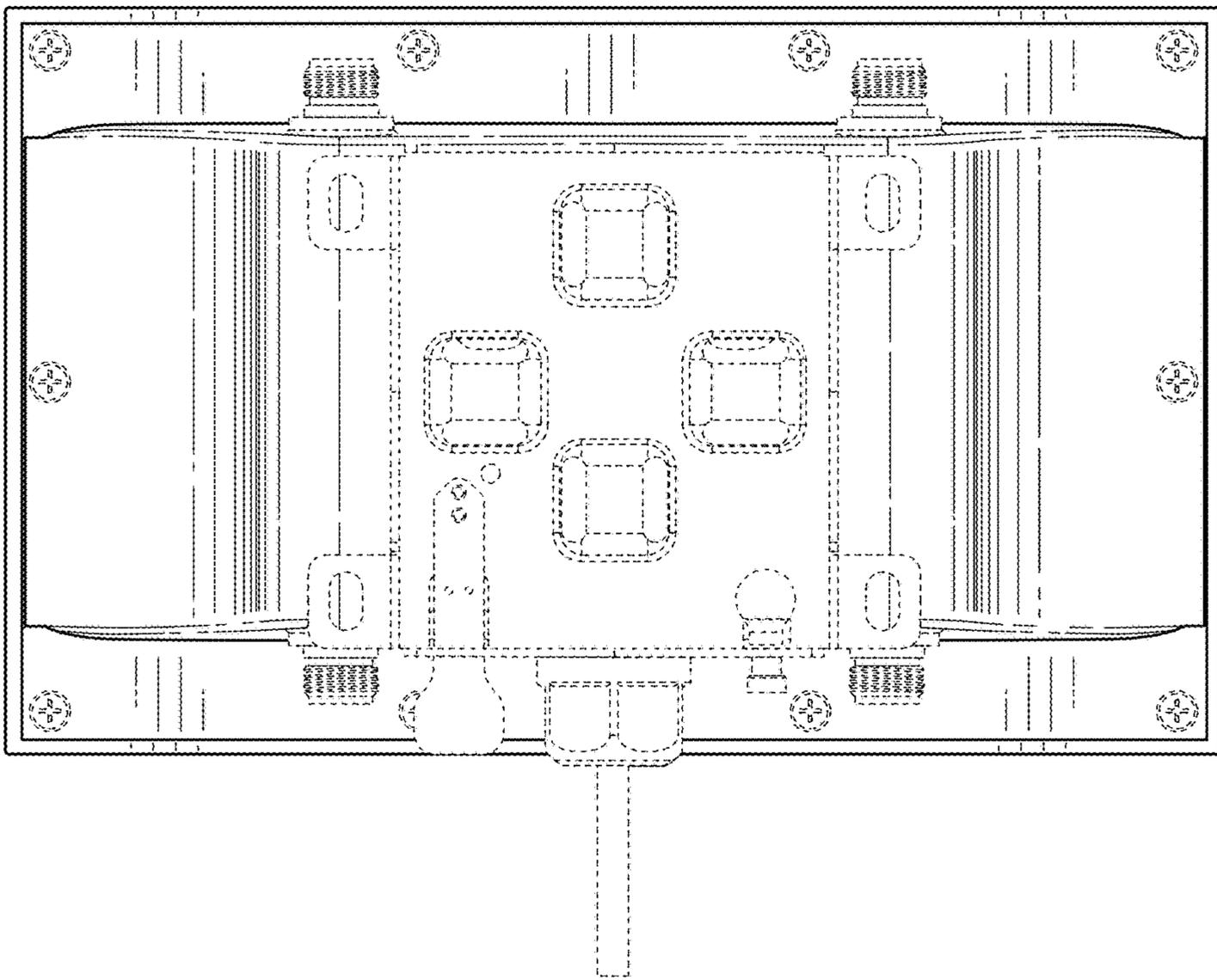


FIG. 3

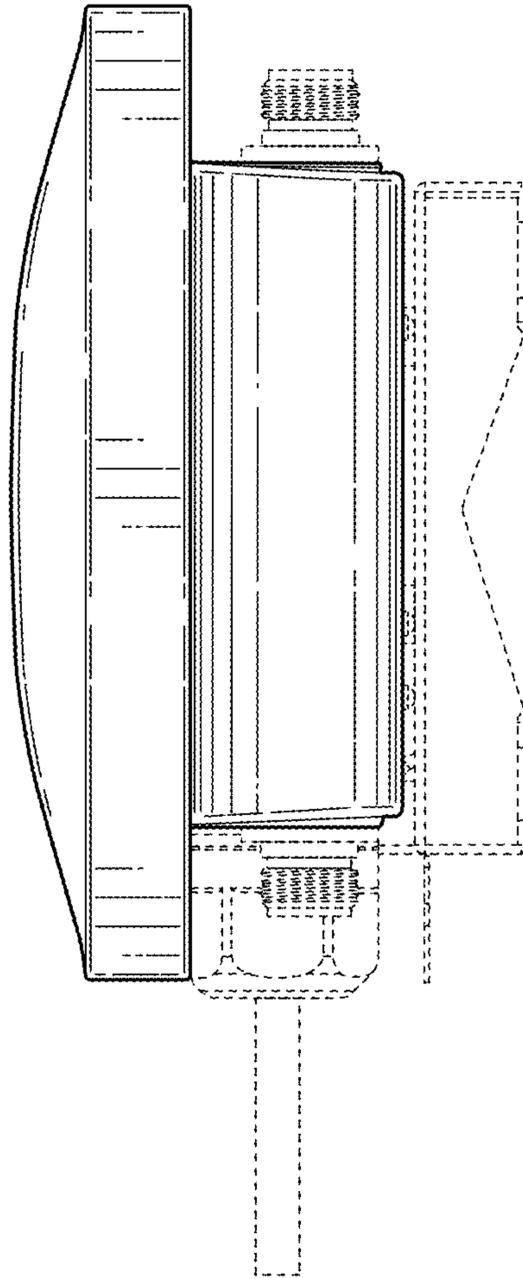


FIG. 4

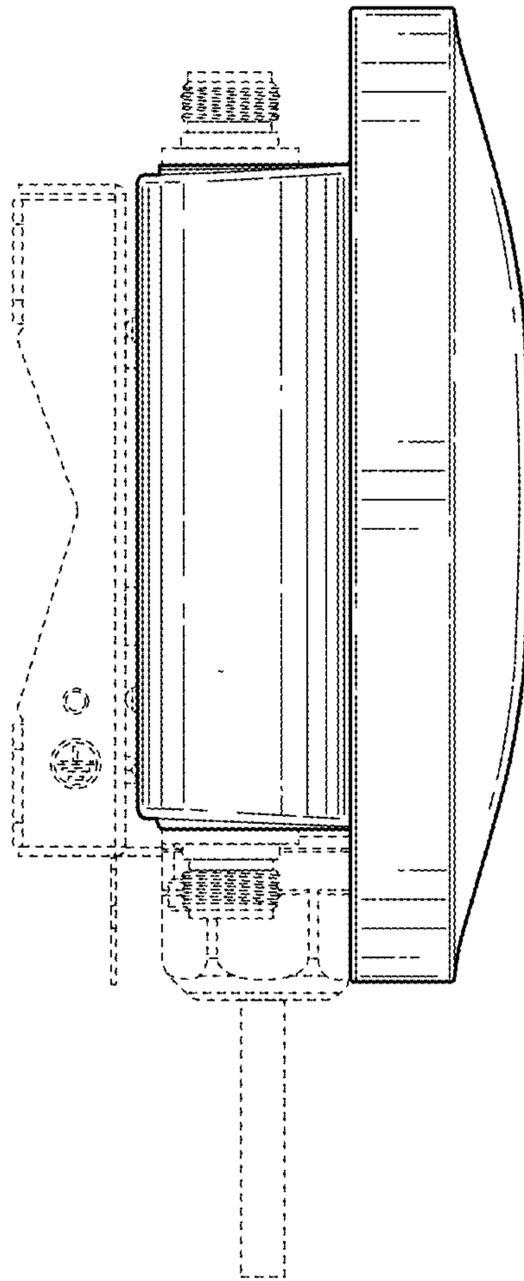


FIG. 5

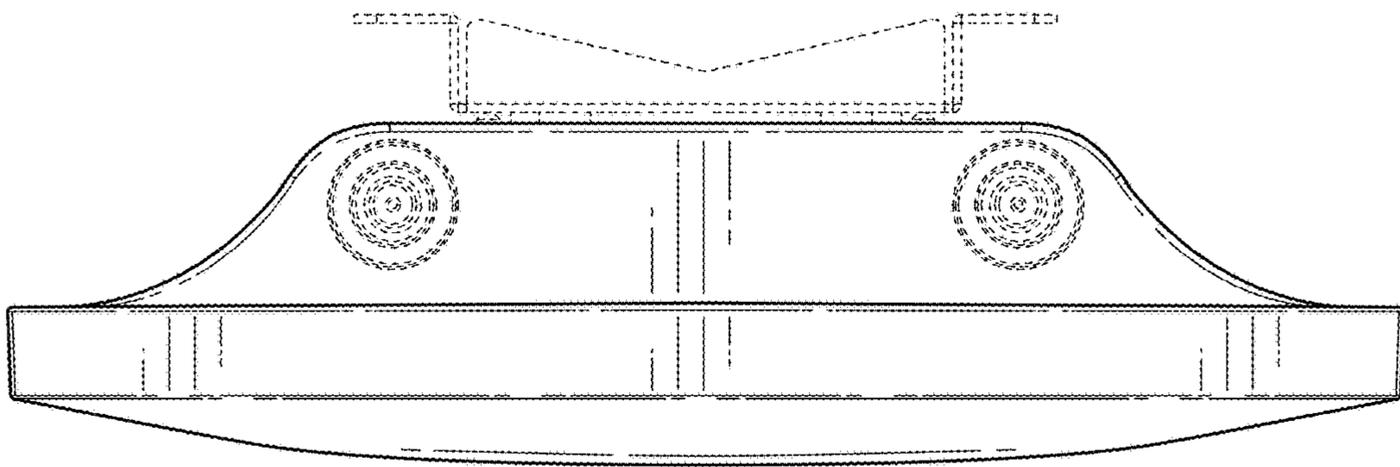


FIG. 6

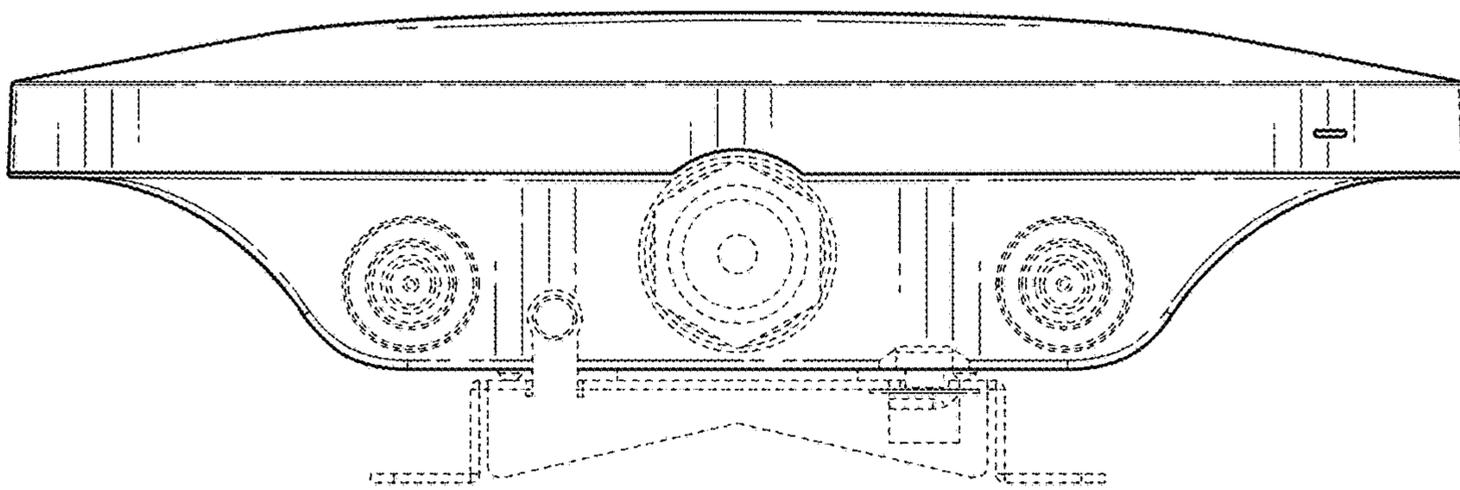


FIG. 7