



US00D804448S

(12) **United States Design Patent**
Washio

(10) **Patent No.:** **US D804,448 S**

(45) **Date of Patent:** **** Dec. 5, 2017**

(54) **SPEAKER**

(71) Applicant: **YAMAHA CORPORATION**,
Hamamatsu-shi, Shizuoka (JP)

(72) Inventor: **Kazuya Washio**, Hamamatsu (JP)

(73) Assignee: **YAMAHA CORPORATION**,
Hamamatsu-shi, Shizuoka (JP)

(**) Term: **15 Years**

(21) Appl. No.: **29/578,532**

(22) Filed: **Sep. 22, 2016**

(30) **Foreign Application Priority Data**

Aug. 22, 2016 (JP) 2016-017772

(51) **LOC (10) Cl.** **14-01**

(52) **U.S. Cl.**
USPC **D14/214**; D14/210; D14/211

(58) **Field of Classification Search**

USPC D14/168, 188, 194, 195, 196, 204, 210,
D14/211, 212, 213, 214, 215, 216, 217,
D14/221, 222, 223, 224

CPC B60R 11/0217; G06F 1/1688; G10K 9/22;
G10K 11/004; H03F 1/327; H04M 1/03;
H04M 1/035; H04N 5/642; H04N
21/4852; H04S 3/00; H04S 7/30; H04R
1/02; H04R 1/06; H04R 1/021; H04R
1/025; H04R 1/026; H04R 1/028; H04R
1/105; H04R 1/323; H04R 1/403; H04R
1/2803; H04R 1/2834; H04R 5/02; H04R
7/20; H04R 9/06; H04R 9/025; H04R
2201/021; H04R 2400/00; H04R 2400/07;
H04R 2499/11; H04R 2499/13; H04R
2499/15

See application file for complete search history.

(56) **References Cited**

U.S. PATENT DOCUMENTS

D230,548 S * 3/1974 Robinson, Jr. D6/308
D426,539 S * 6/2000 Horikoshi D14/214

D432,518 S * 10/2000 Muto D14/168
D435,534 S * 12/2000 Horikoshi D14/168
D435,841 S * 1/2001 Thousand D14/167

(Continued)

FOREIGN PATENT DOCUMENTS

JP 1093821 S 12/2000
JP 1536426 S 10/2016

OTHER PUBLICATIONS

Tom's Guide—Securifi Almond + Router Review, announced May 20, 2015 [online], [site visited Jul. 21, 2017]. Available from internet, URL: <<https://www.tomsguide.com/us/securifi-almond-router,review-2823.html>>.*

(Continued)

Primary Examiner — Keli L Hill

Assistant Examiner — Karra S Johnson

(74) *Attorney, Agent, or Firm* — Sughrue Mion, PLLC

(57) **CLAIM**

The ornamental design for a speaker, as shown and described.

DESCRIPTION

FIG. 1 is a perspective view of the front, top and right side of a speaker showing my new design;

FIG. 2 is a perspective view of the rear, top and right side thereof;

FIG. 3 is a front view thereof;

FIG. 4 is a rear view thereof;

FIG. 5 is a left side view thereof;

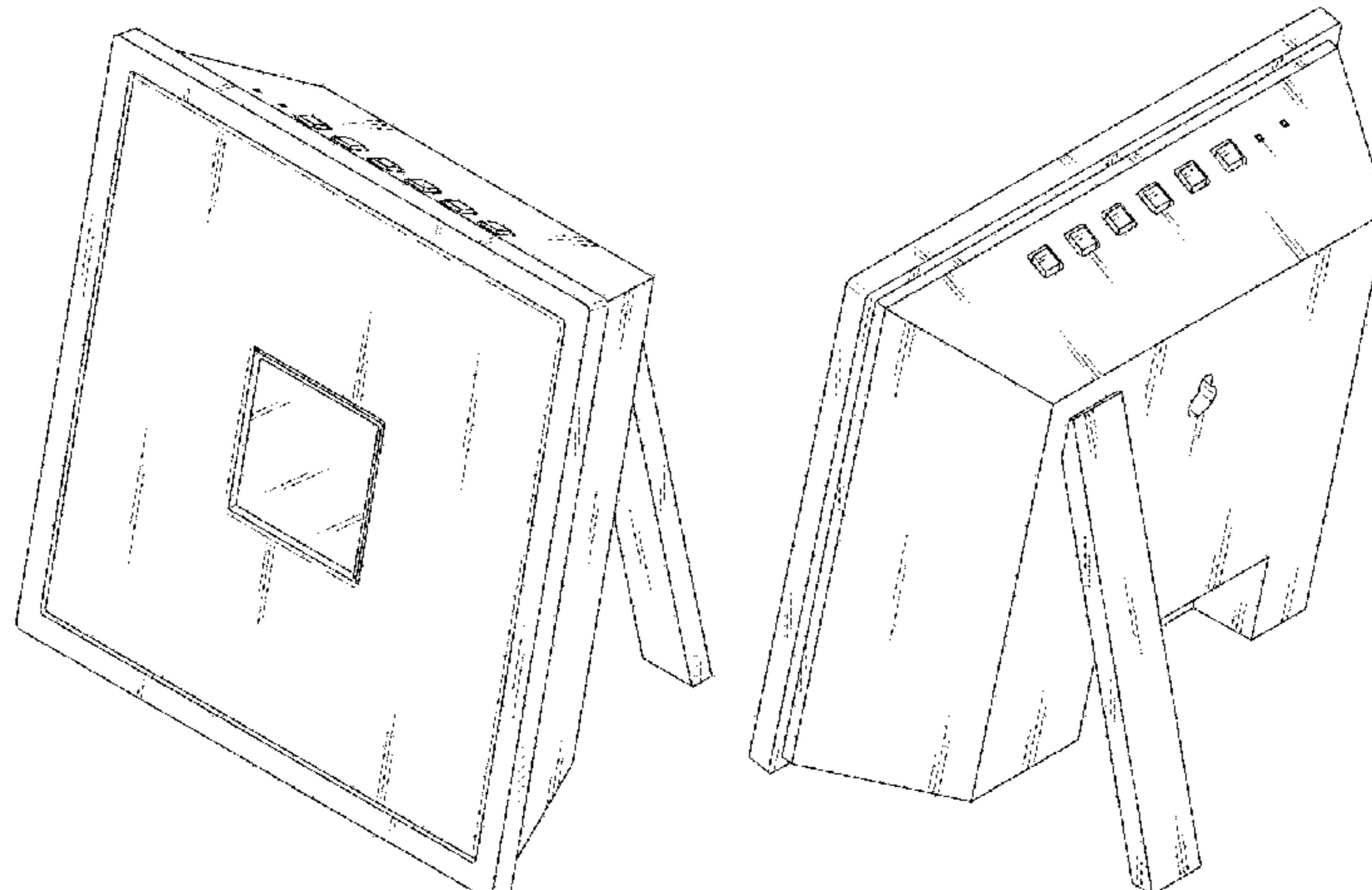
FIG. 6 is a right side view thereof;

FIG. 7 is a top plan view thereof; and,

FIG. 8 is a bottom view thereof.

The broken line showing the speaker is included for the purpose of illustrating portions of the speaker and forms no part of the claimed design.

1 Claim, 7 Drawing Sheets



(56)

References Cited

U.S. PATENT DOCUMENTS

D467,897 S * 12/2002 Lin D14/211
 D477,300 S * 7/2003 Goodwin D14/168
 D483,739 S * 12/2003 Olson D14/214
 D505,668 S * 5/2005 Liu D14/188
 D514,091 S * 1/2006 Sube D14/214
 D602,465 S * 10/2009 Mills D14/168
 D614,871 S * 5/2010 Tang D14/371
 D685,347 S 7/2013 Szymanski et al.
 8,636,183 B1 * 1/2014 Steiner B60R 11/02
 224/483
 D760,693 S * 7/2016 Kim D14/214
 D766,874 S * 9/2016 Washio D14/214
 2014/0079266 A1 * 3/2014 Szymanski H04R 1/02
 381/334
 2014/0192469 A1 * 7/2014 Chang H04R 1/028
 361/679.09

2015/0268700 A1* 9/2015 Olafsson G06F 1/1618
 381/334
 2017/0023975 A1* 1/2017 Nalbandian H04R 1/028
 2017/0150263 A1* 5/2017 Dair H04R 5/02

OTHER PUBLICATIONS

Amazon—Yamaha isx-18d, announced Aug. 9, 2016 [online], [site visited Jul. 21, 2017]. Available from internet, URL: <<https://www.amazon.co.uk/Restio-ISX-18D-Speaker-MusicCast-Bluetooth/dp/B01K21922S>>.*
 Communication dated Dec. 28, 2016, issued by the Japanese Patent Office in counterpart Japanese Patent Application No. 2016-017772. Anonymous, “The Sound of Excel-Lence,” Mar. 23, 1992, The Center for Comprehensive Information of the Japanese Patent Office, one page total.

* cited by examiner

Fig. 1

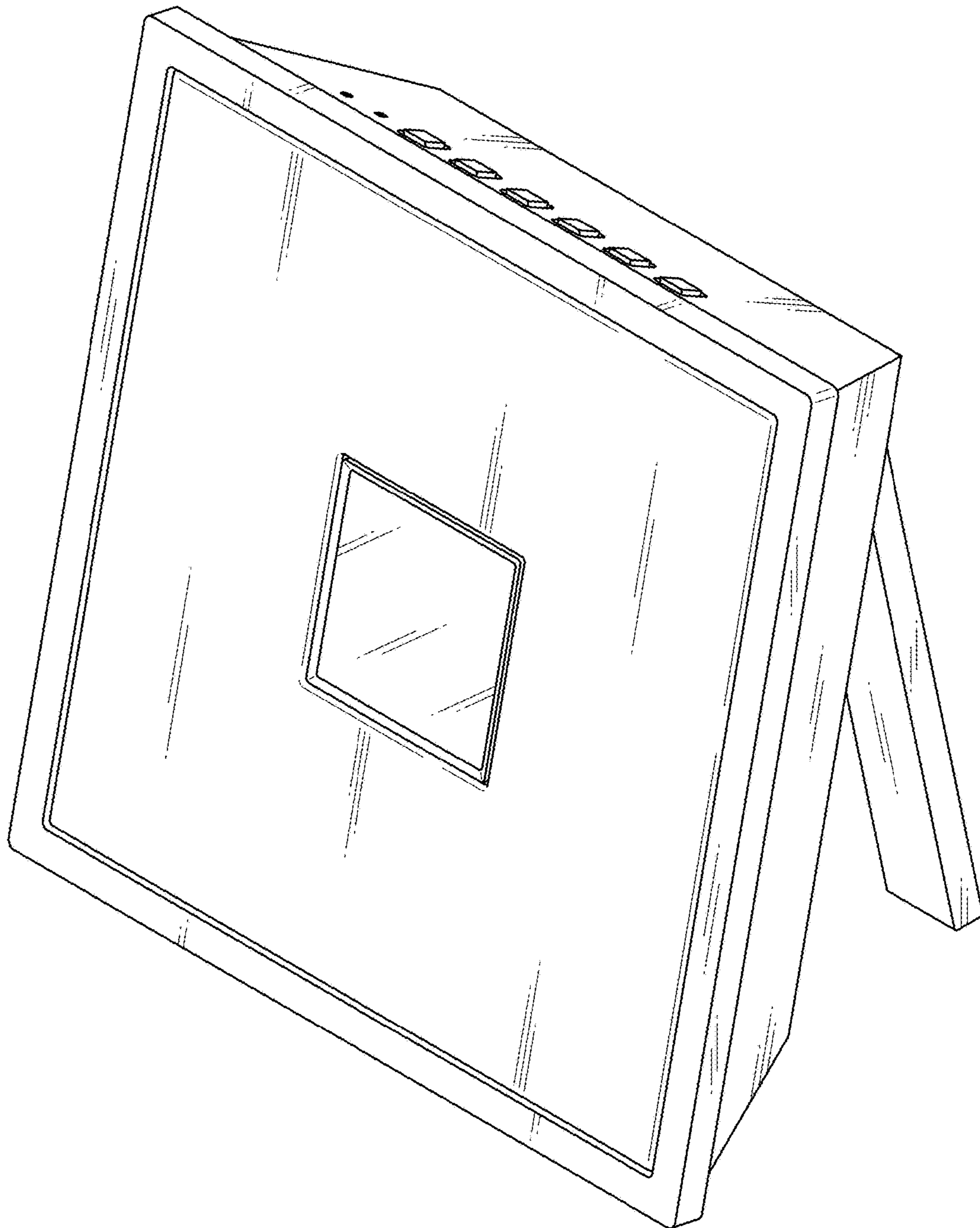


Fig. 2

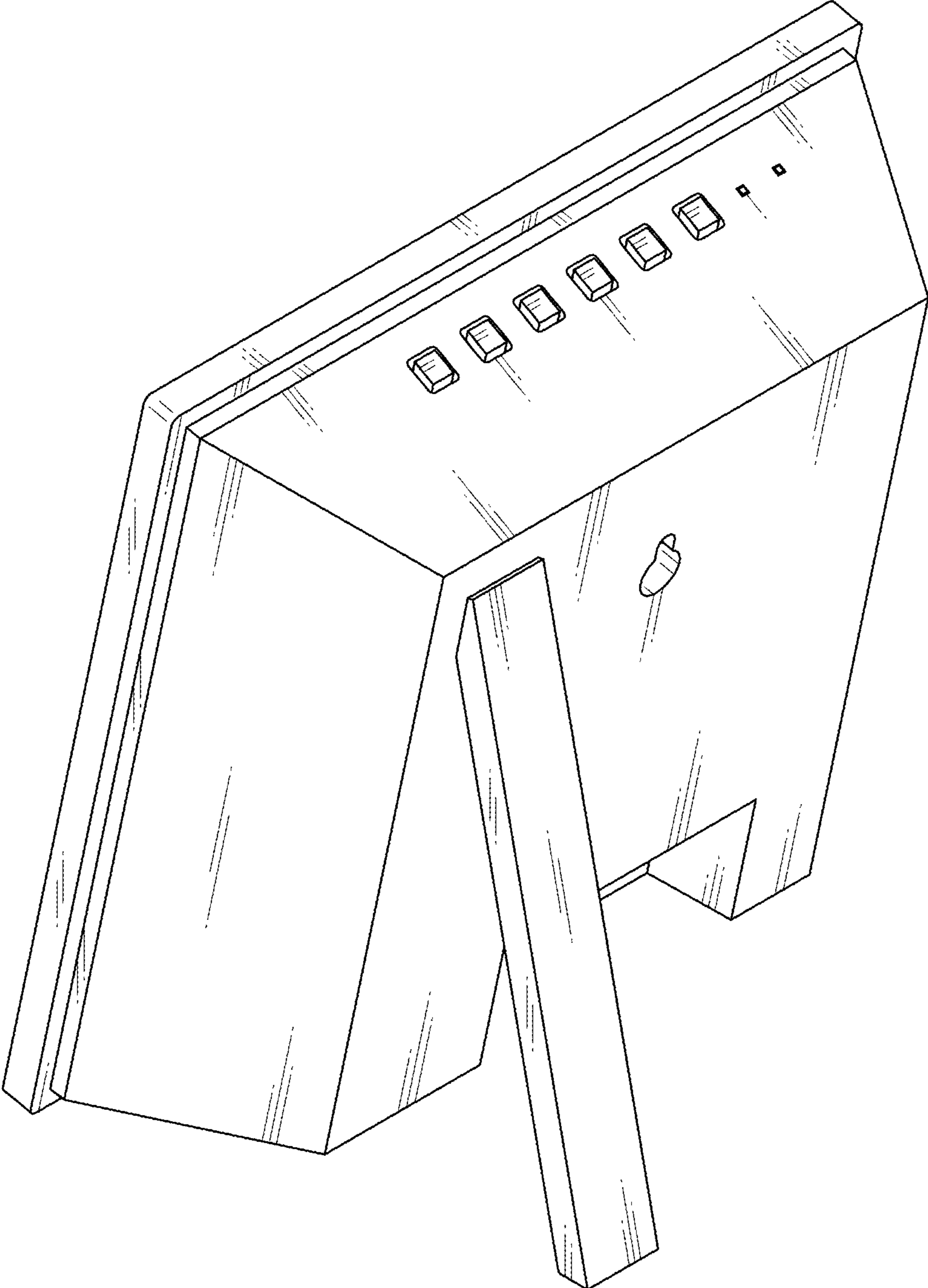


Fig. 3

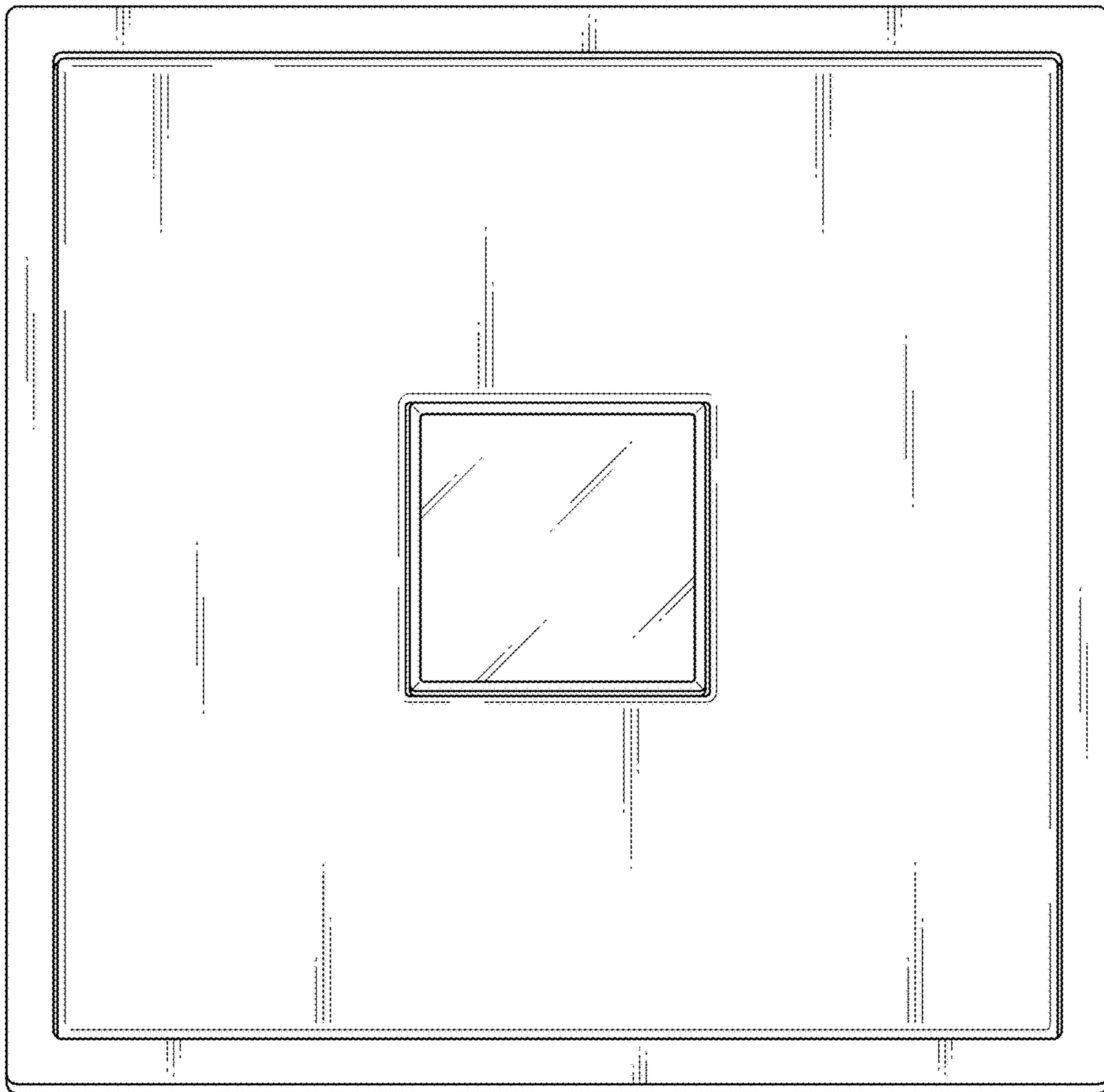


Fig. 4

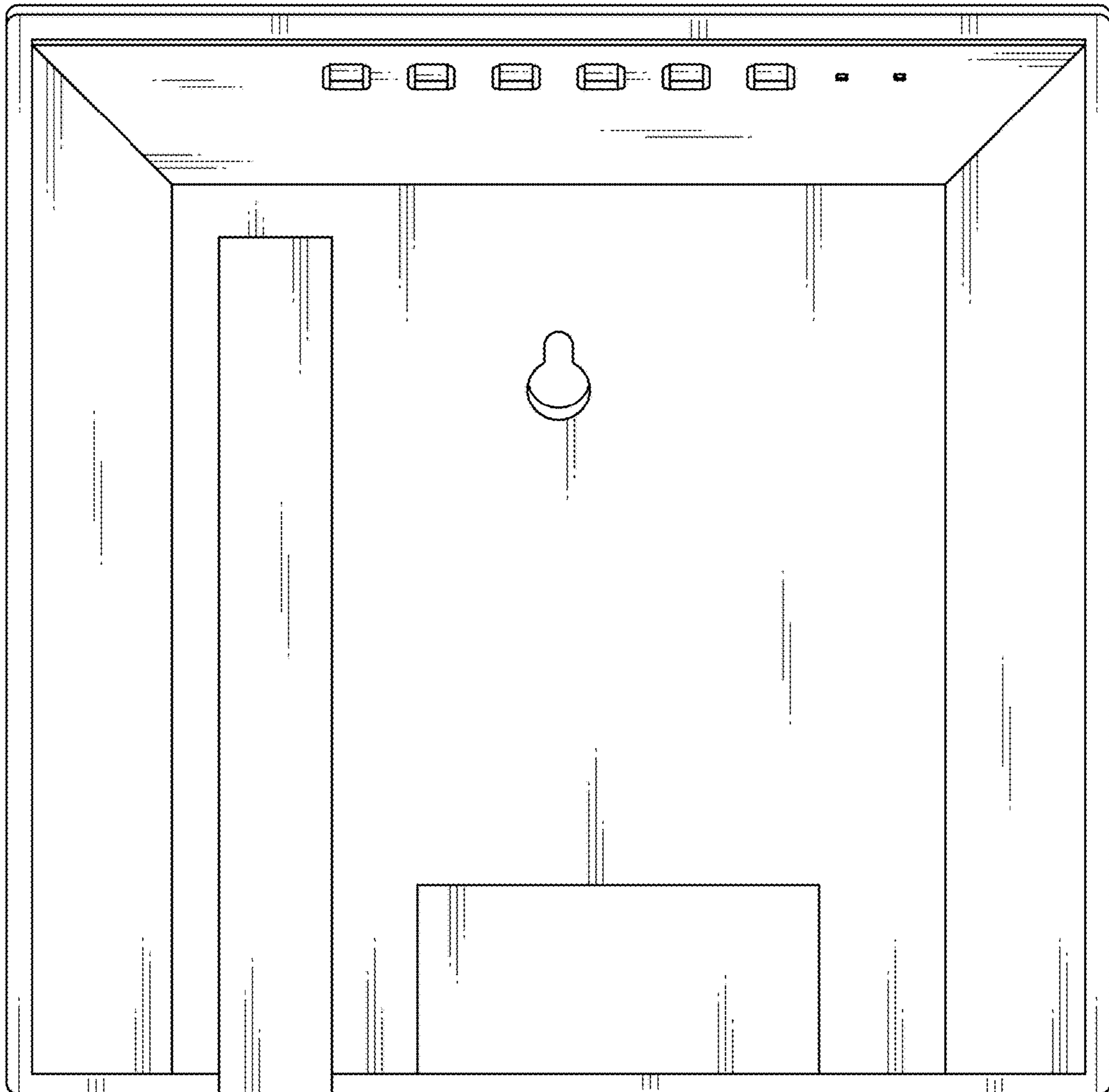


Fig. 5

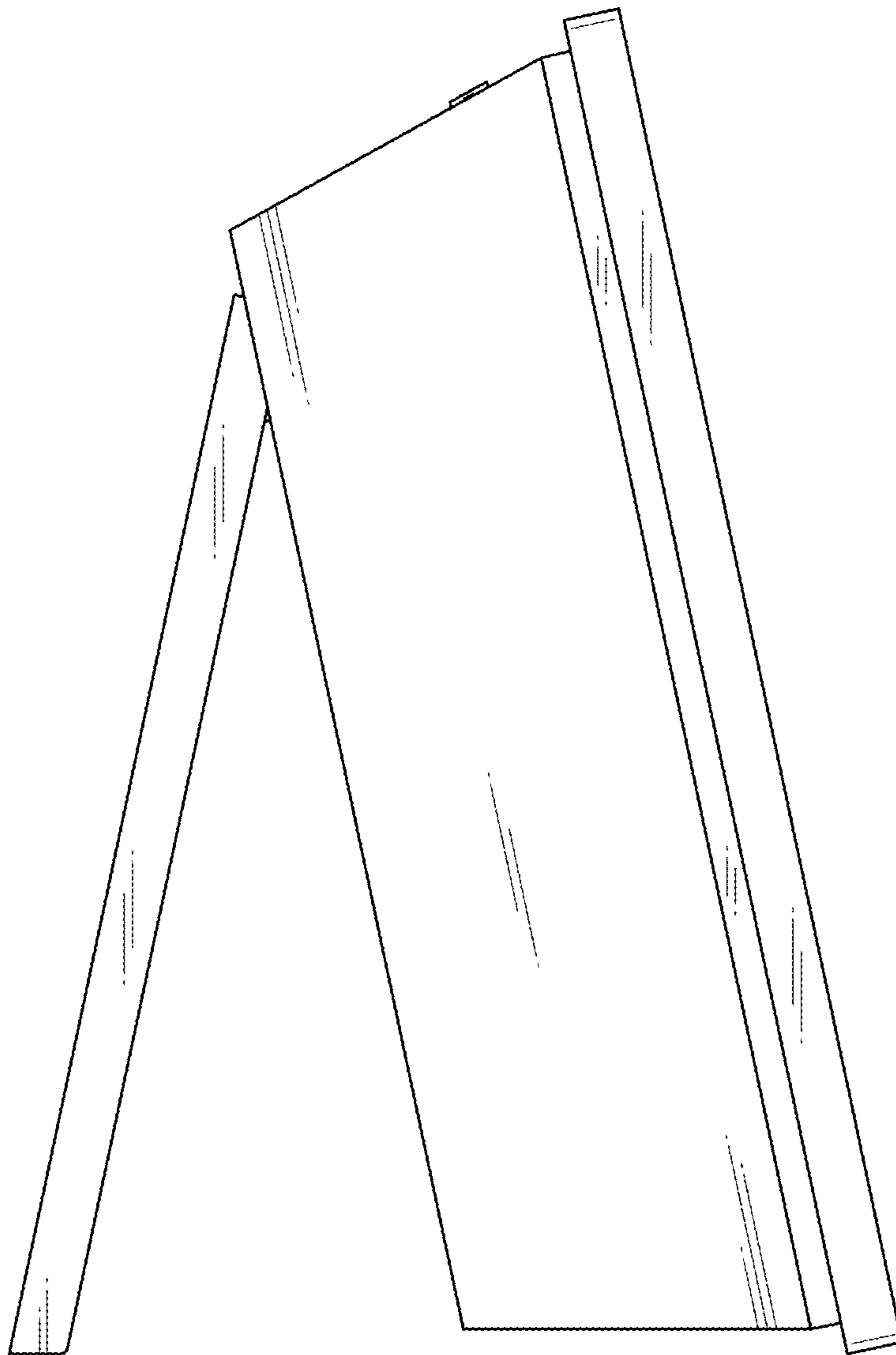


Fig. 6

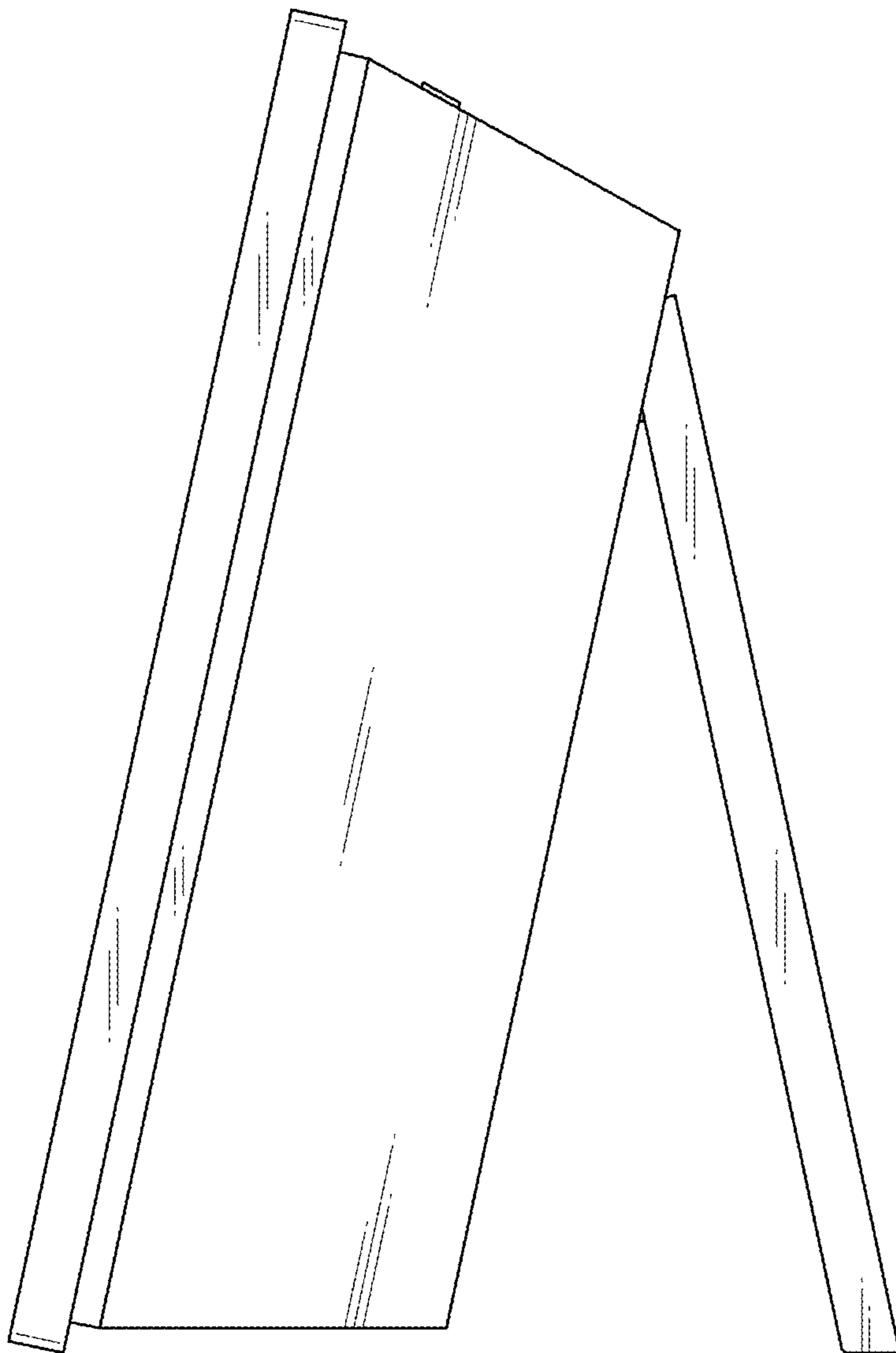


Fig. 7

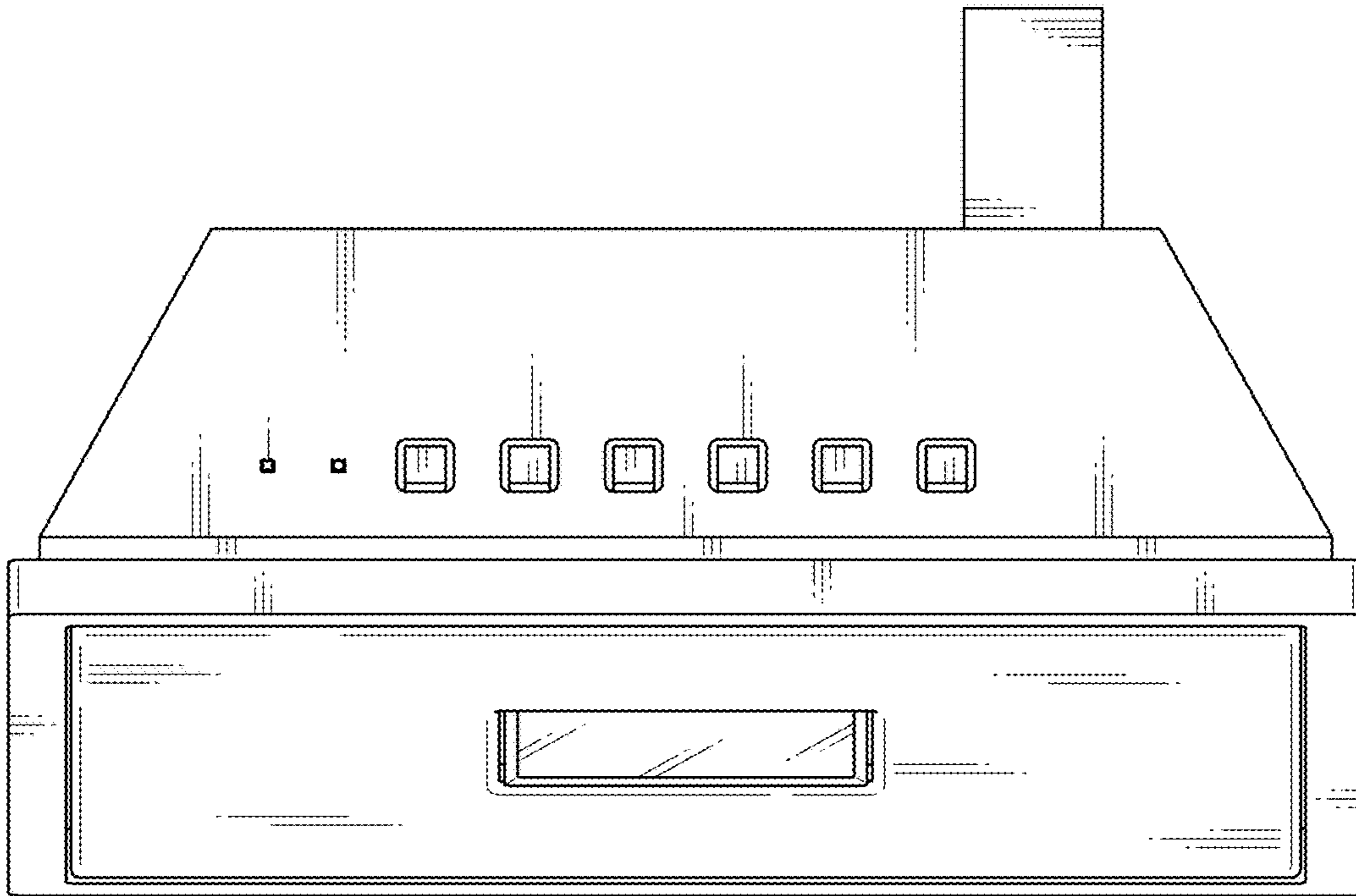


Fig. 8

