



US00D804447S

(12) **United States Design Patent** (10) **Patent No.:** **US D804,447 S**
Yoon et al. (45) **Date of Patent:** **** Dec. 5, 2017**

(54) **AUDIO FOR CAR**

2400/07; H04R 2499/11; H04R 2499/13;
H04R 2499/15

(71) Applicant: **Samsung Electronics Co., Ltd.**,
Suwon-si (KR)

See application file for complete search history.

(72) Inventors: **Kihyun Yoon**, Seoul (KR); **Jonghyuk Park**, Seoul (KR)

(56) **References Cited**

U.S. PATENT DOCUMENTS

(73) Assignee: **Samsung Electronics Co., Ltd.**,
Suwon-si (KR)

D242,997 S * 1/1977 Dixon D12/114
D245,772 S * 9/1977 Drafton D12/418
D275,382 S * 9/1984 Hoese D12/114

(Continued)

(**) Term: **15 Years**

FOREIGN PATENT DOCUMENTS

(21) Appl. No.: **29/567,057**

JP 1098652 1/2001
KR 30-1995-0019178 6/1997

(22) Filed: **Jun. 6, 2016**

Primary Examiner — Keli L Hill
Assistant Examiner — Karra S Johnson
(74) *Attorney, Agent, or Firm* — NSIP Law

(30) **Foreign Application Priority Data**

(57) **CLAIM**

Dec. 9, 2015 (KR) 30-2015-0062782

We claim the ornamental design for an audio for car, as shown and described.

(51) **LOC (10) Cl.** **14-01**

DESCRIPTION

(52) **U.S. Cl.**

USPC **D14/210**

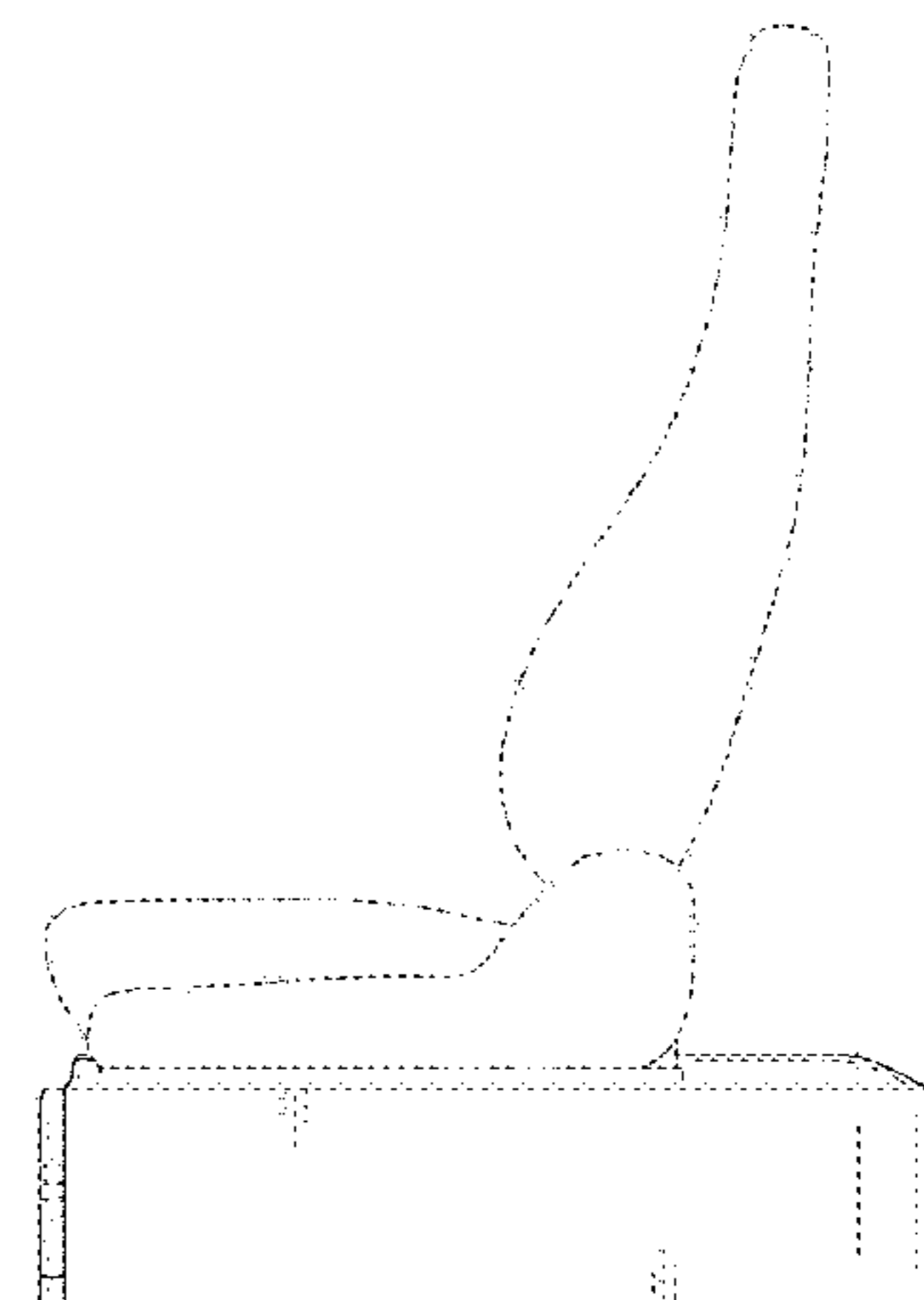
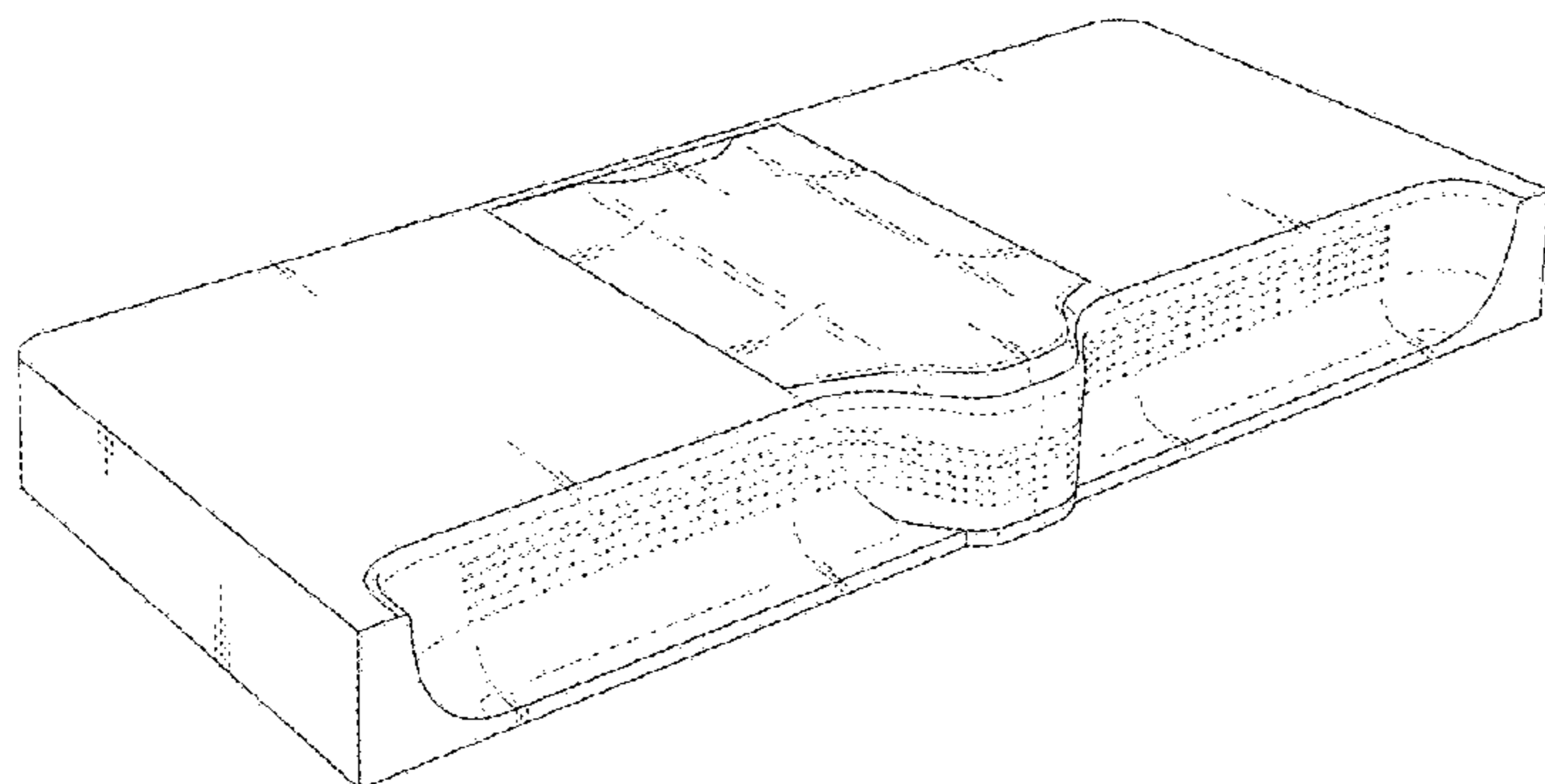
(58) **Field of Classification Search**

USPC D14/168, 188, 194, 195, 196, 204, 210,
D14/211, 212, 213, 214, 215, 216, 157,
D14/221, 222, 223, 224, 217, 257, 258

CPC ... B60R 11/0217; B60R 11/02; G06F 1/1688;
G10K 9/22; G10K 11/004; H03F 1/327;
H04M 1/03; H04M 1/035; H04N 5/642;
H04N 21/4852; H04S 3/00; H04S 7/30;
H04R 1/02; H04R 1/06; H04R 1/021;
H04R 1/025; H04R 1/026; H04R 1/028;
H04R 1/105; H04R 1/323; H04R 1/403;
H04R 1/2803; H04R 1/2834; H04R 5/02;
H04R 7/20; H04R 9/06; H04R 9/025;
H04R 2201/021; H04R 2400/00; H04R

FIG. 1 is a front perspective view of an audio for car showing our new design;
FIG. 2 is a front view thereof;
FIG. 3 is a rear view thereof;
FIG. 4 is a left-side view thereof;
FIG. 5 is a right-side view thereof;
FIG. 6 is a top view thereof;
FIG. 7 is a bottom view thereof;
FIG. 8 is a front view of the audio for car in which a pair of chairs is provided in dot-dot-dash broken lines to illustrate an example environment; and,
FIG. 9 is a right side view of the audio for car in which a chair is provided in dot-dot-dash broken lines to illustrate an example environment.
The short dash-dash broken lines in the figures show portions of the audio for car that form no part of the claimed design.

(Continued)



The dot-dot-dash broken lines showing of the chairs in FIGS. 8 and 9 are for the purpose of illustrating environmental structure and form no part of the claimed design.

1 Claim, 7 Drawing Sheets

(56) **References Cited**

U.S. PATENT DOCUMENTS

D341,140	S	*	11/1993	Uehara	D14/168
D360,416	S	*	7/1995	Yamamoto	D14/210
D378,091	S	*	2/1997	Hippen	D14/188
D394,858	S	*	6/1998	Wordinger	D14/188
5,860,550	A	*	1/1999	Miller	B65D 25/54 206/535
D432,115	S	*	10/2000	Juszkiewicz	D14/204
D553,117	S	*	10/2007	Corsini	D14/168
D557,680	S	*	12/2007	Corsini	D14/168
D568,826	S	*	5/2008	Farnsworth	D13/162
D575,769	S	*	8/2008	Lovegrove	D14/214
D592,207	S	*	5/2009	Goodburn	D14/257
D602,478	S	*	10/2009	Pesdirz	D14/224
D613,945	S	*	4/2010	Molina	D3/294
D669,884	S	*	10/2012	Hou	D14/214
D693,999	S	*	11/2013	Alexander	D3/203.2
D739,374	S	*	9/2015	Chong	D14/188
D742,352	S	*	11/2015	Nardin	D14/188

* cited by examiner

FIG. 1

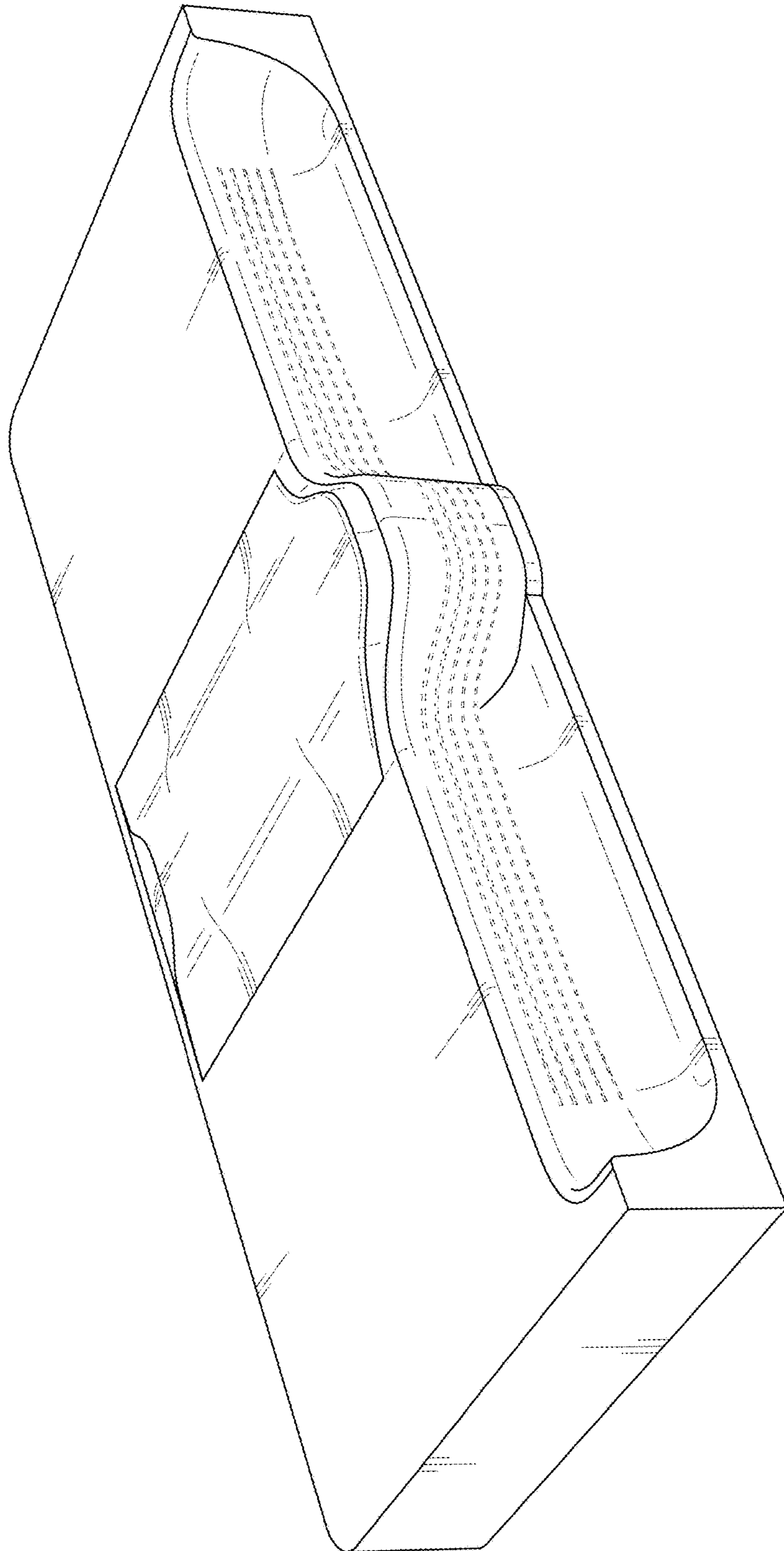


FIG. 2

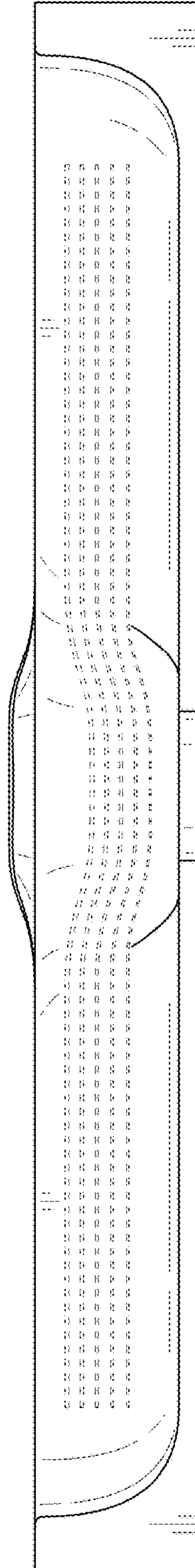


FIG. 3

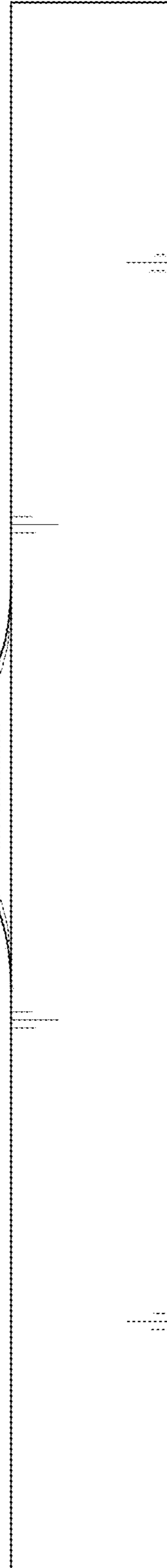


FIG. 4

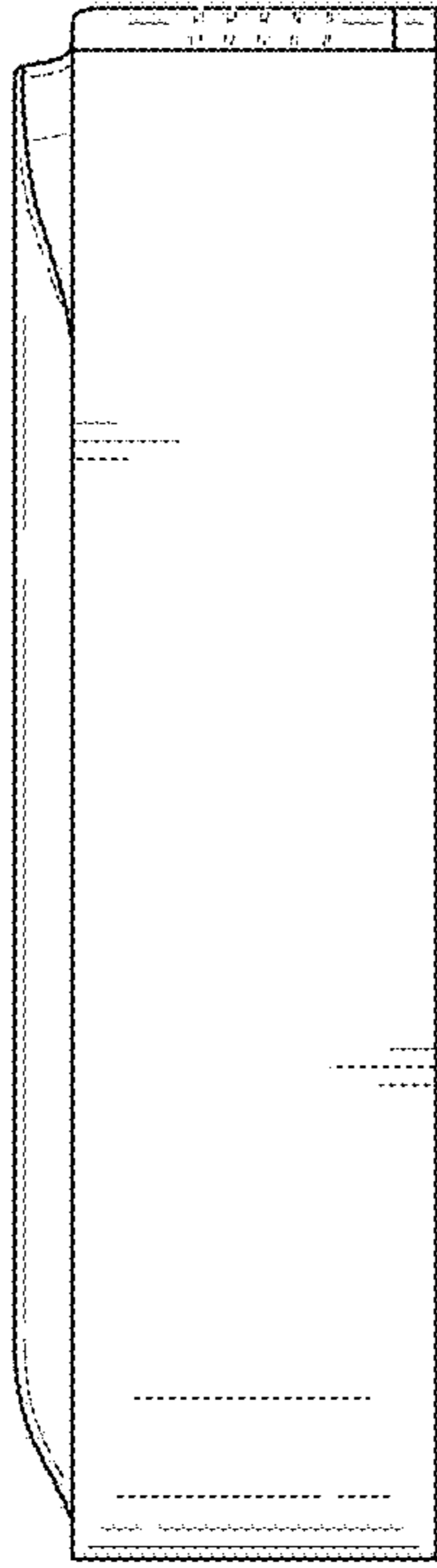


FIG. 5

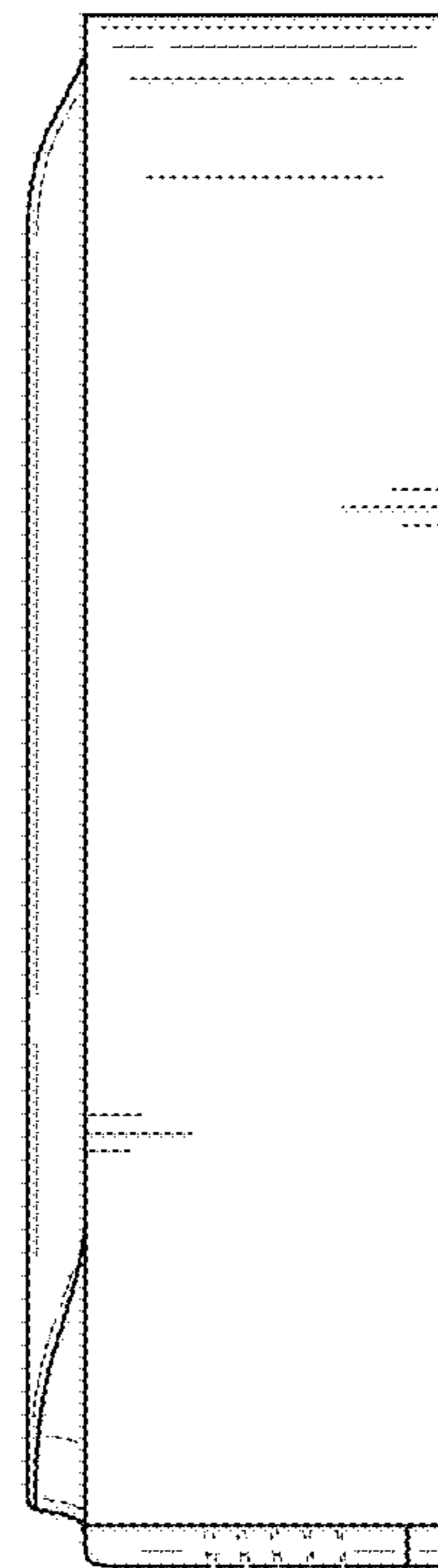


FIG. 6

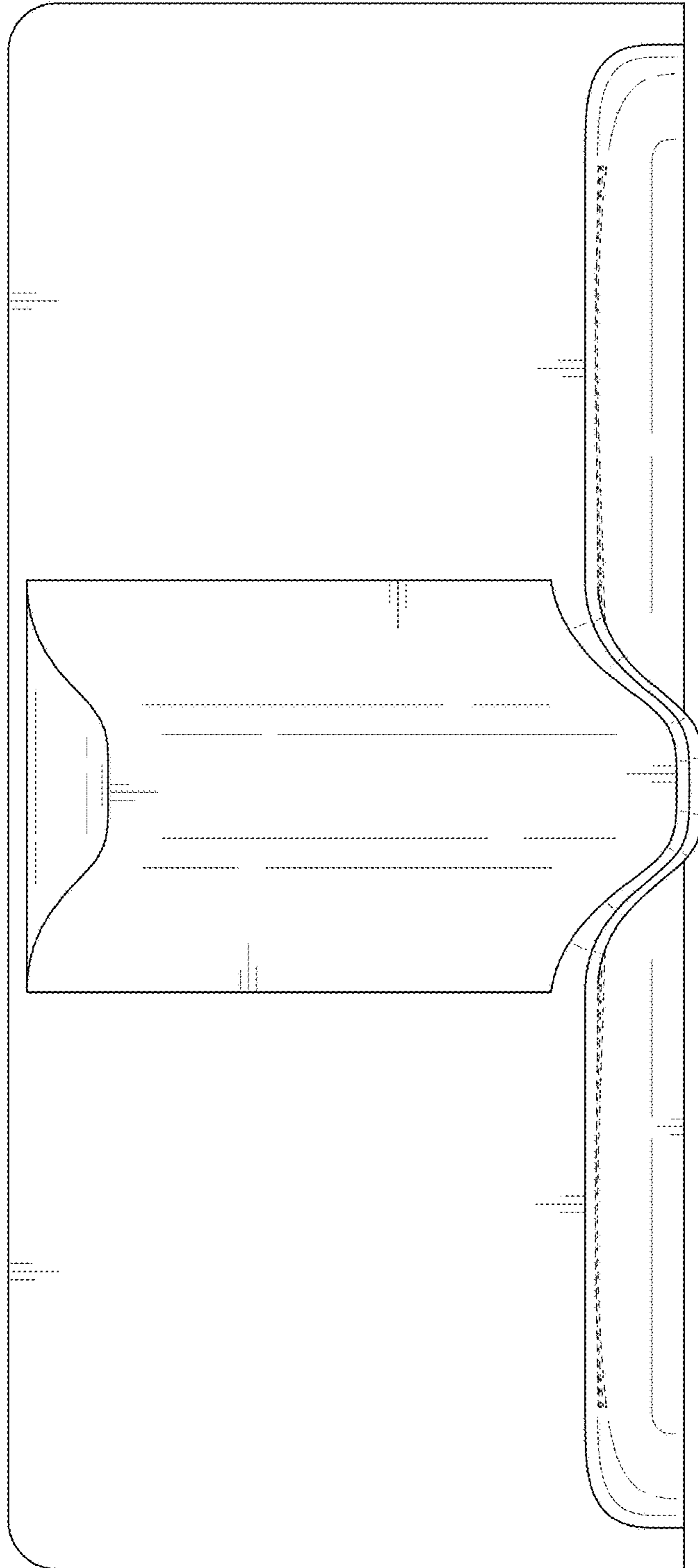


FIG. 7

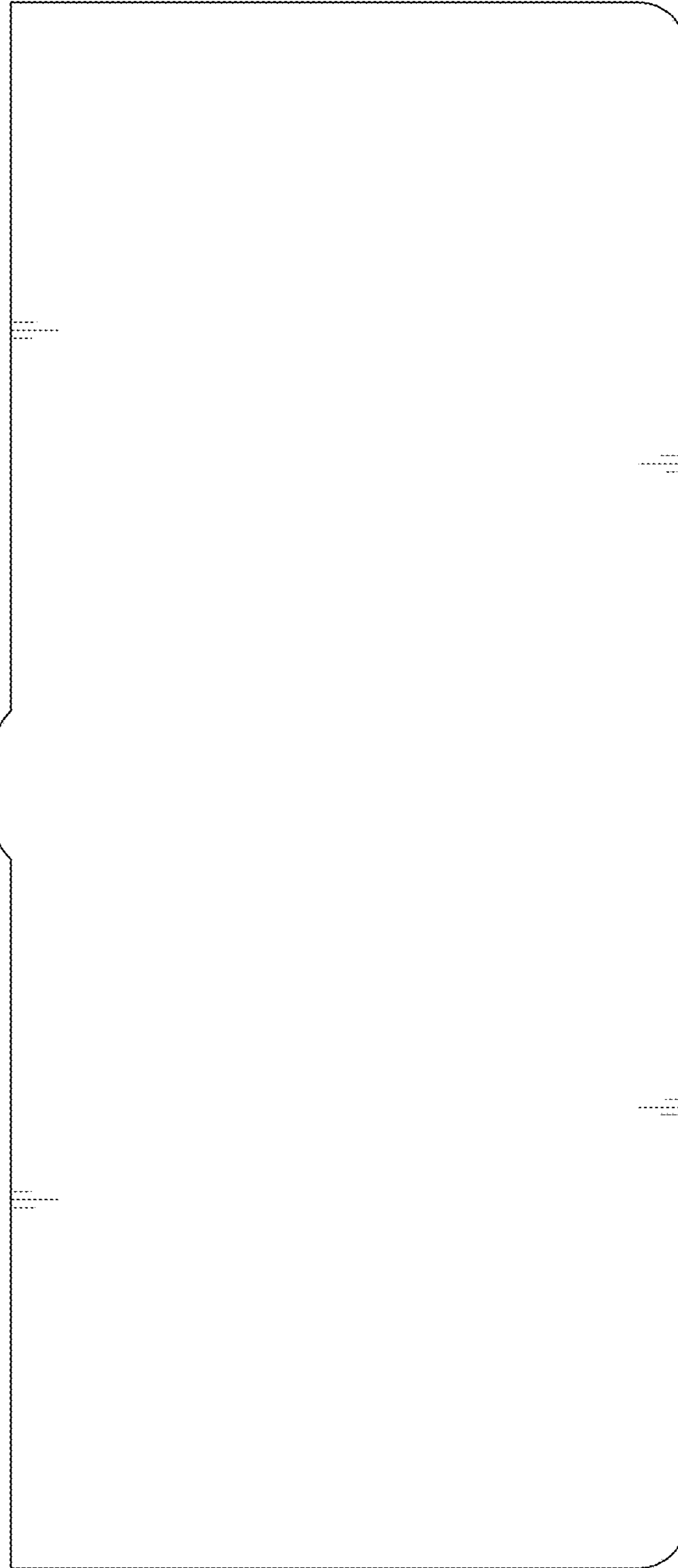


FIG. 8

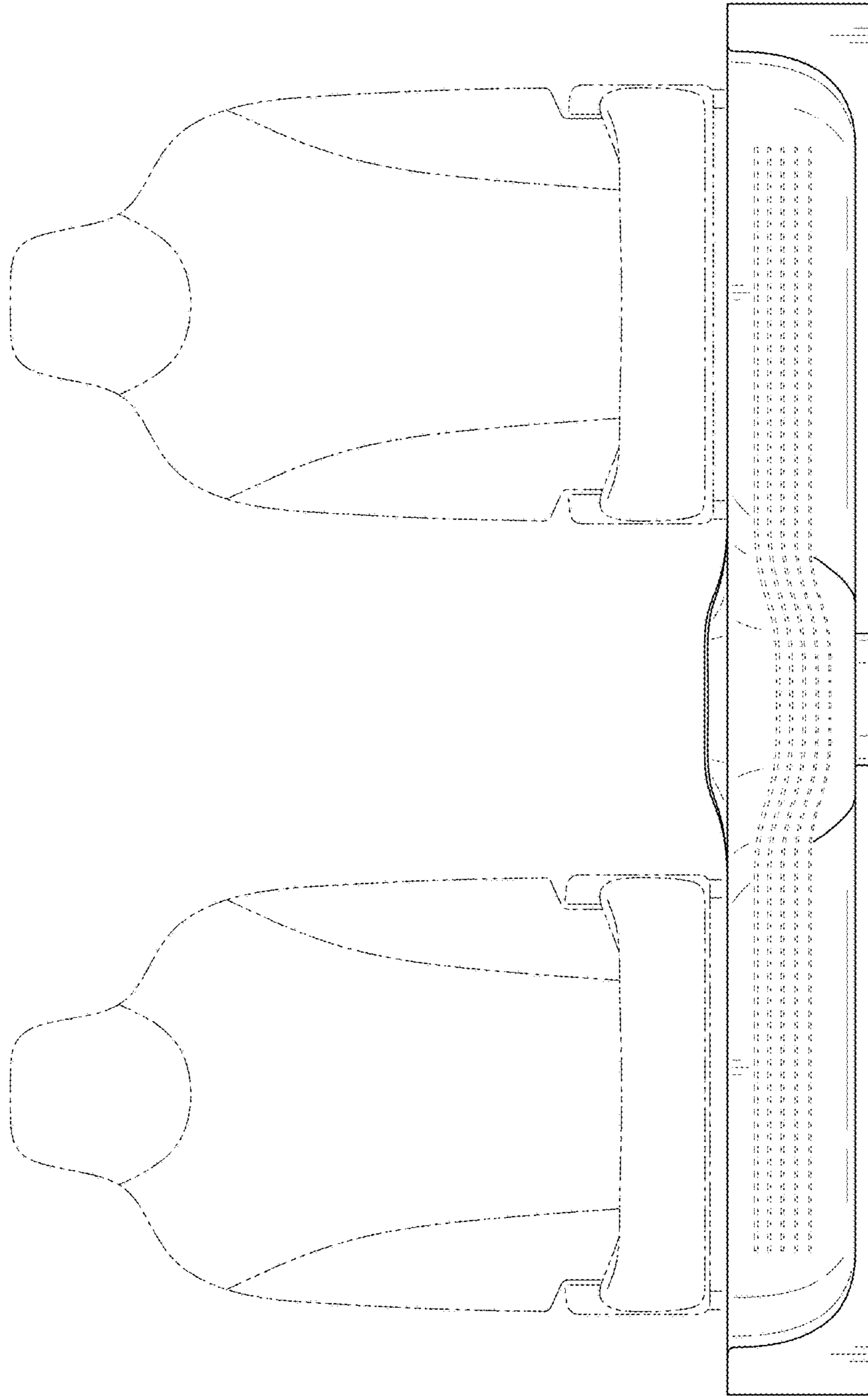


FIG. 9

