



US00D804446S

(12) **United States Design Patent**
Tang et al.

(10) **Patent No.:** **US D804,446 S**
(45) **Date of Patent:** **** Dec. 5, 2017**

- (54) **PORTABLE HIGH FIDELITY MUSIC PLAYBACK**
- (71) Applicants: **Xiuquan Tang**, Zhongshan (CN); **Chao Peng**, Zhongshan (CN)
- (72) Inventors: **Xiuquan Tang**, Zhongshan (CN); **Chao Peng**, Zhongshan (CN)
- (73) Assignee: **ECHOBOX AUDIO, LLC**, Bellevue, WA (US)
- (**) Term: **15 Years**
- (21) Appl. No.: **29/587,866**
- (22) Filed: **Dec. 15, 2016**
- (51) **LOC (10) Cl.** **14-01**
- (52) **U.S. Cl.**
USPC **D14/207**
- (58) **Field of Classification Search**
USPC D14/204, 207, 210–216, 172, 209.1, D14/203.2, 188, 189; 181/143, 144, 147, 181/148, 150–153, 157, 198, 199; 381/300–303, 306, 332, 333, 336, 345, 381/361–364, 386–388; D11/160, 162, D11/606–609, 832; 455/344–347; 369/6–12; D9/683, 500, 738, 763; D7/300, 601–606
CPC H04R 1/00; H04R 1/02; H04R 2400/00; H05K 5/00
See application file for complete search history.

D373,207 S *	8/1996	Yuen	D14/168
6,092,594 A *	7/2000	Palamara	E21B 33/138
				166/177.4
6,544,096 B1 *	4/2003	Pyrce	A63H 33/00
				206/541
D474,172 S *	5/2003	Jacobson	D14/207
D510,083 S *	9/2005	Kasden	D14/207
D518,065 S *	3/2006	Kobayashi	D14/203.2
D525,988 S *	8/2006	Kim	D14/203.2
D533,185 S *	12/2006	Ishida	D14/203.2
D699,217 S *	2/2014	McCoy	D14/203.2
D730,317 S *	5/2015	Silvera	D14/207
D746,261 S *	12/2015	Silvera	D14/207

* cited by examiner

Primary Examiner — Prabhakar Deshmukh
(74) *Attorney, Agent, or Firm* — Jie Tan; JT Law Services, PC

(57) **CLAIM**

The ornamental design for a portable high fidelity music playback, as shown and described.

DESCRIPTION

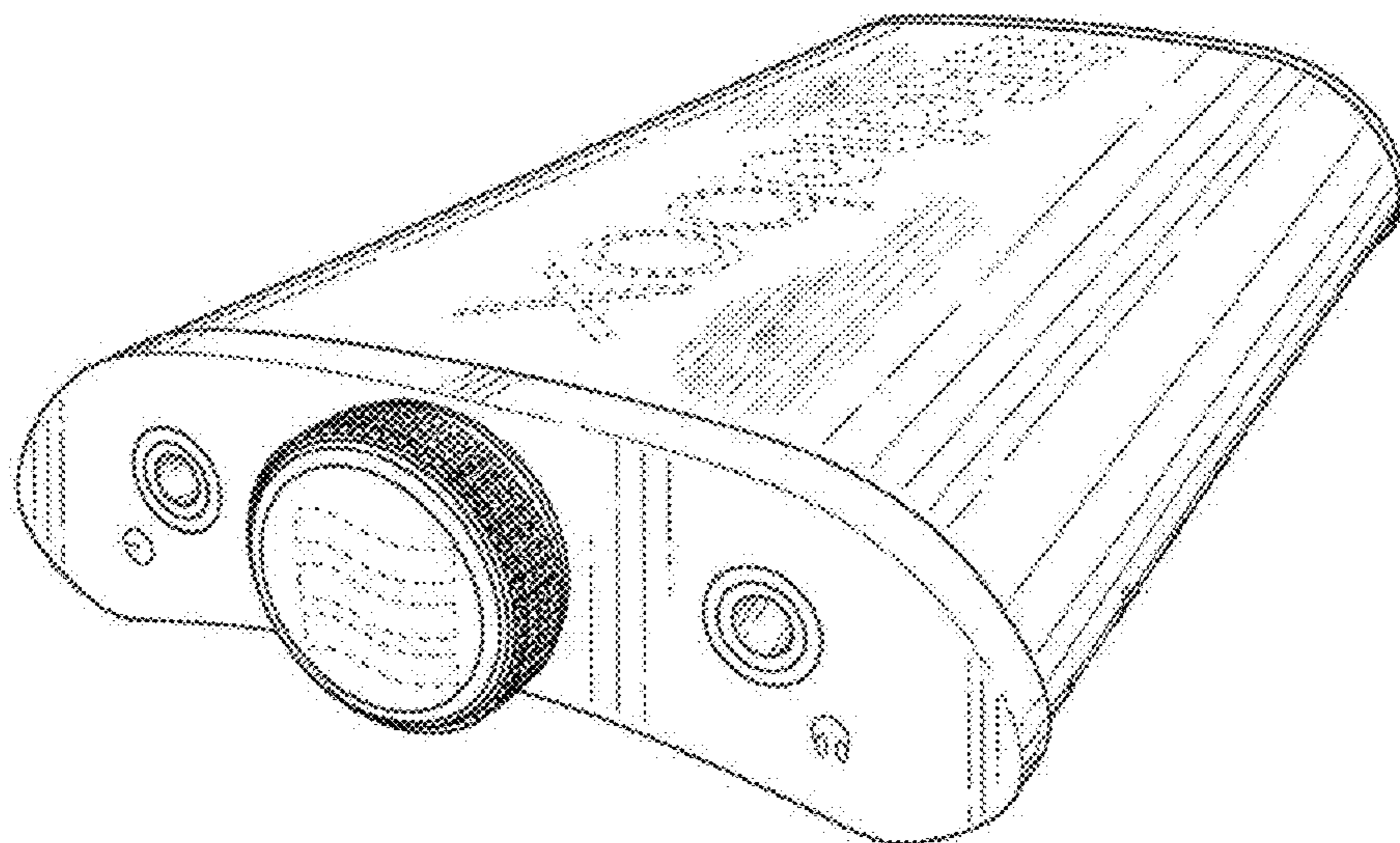
FIG. 1 is a top, front and right perspective view of a portable high fidelity music playback showing my new design; FIG. 2 is a bottom, front and right perspective view thereof; FIG. 3 is a bottom, front and left perspective view thereof; FIG. 4 is a bottom and rear perspective view thereof; FIG. 6 is bottom plan view thereof; and, FIG. 7 is a top plan view thereof. The broken lines environment is for illustrative purpose and forms no part of the claimed design.

1 Claim, 6 Drawing Sheets

(56) **References Cited**

U.S. PATENT DOCUMENTS

3,843,032 A *	10/1974	Moran	A45F 3/16
				215/382
5,444,194 A *	8/1995	Reinke	H04R 1/028
				181/150



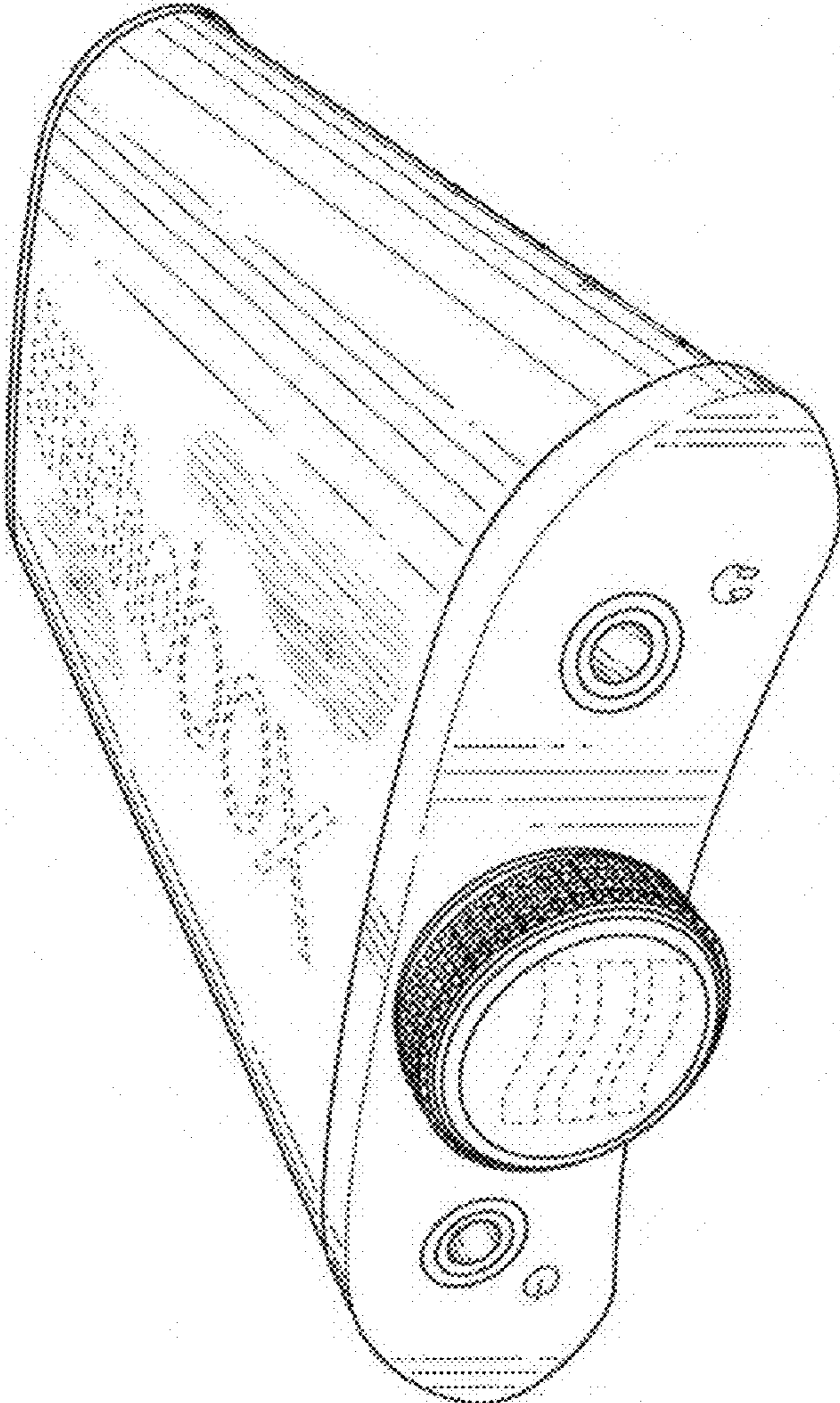


FIG. 1

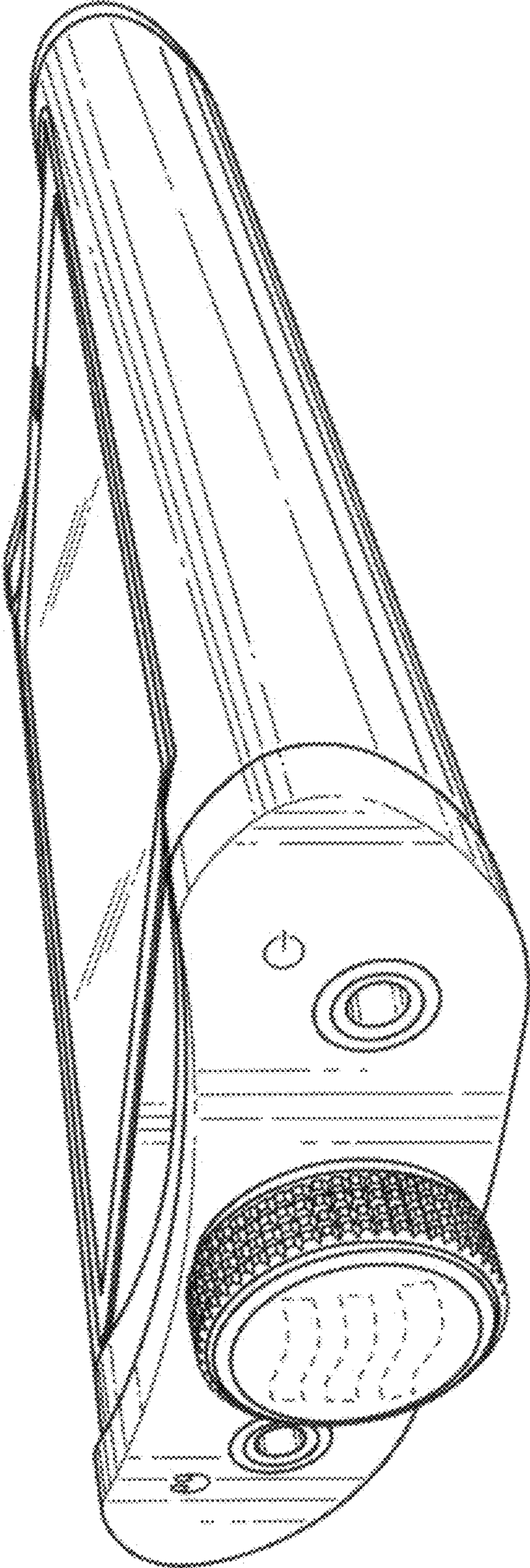


FIG. 2



FIG. 3

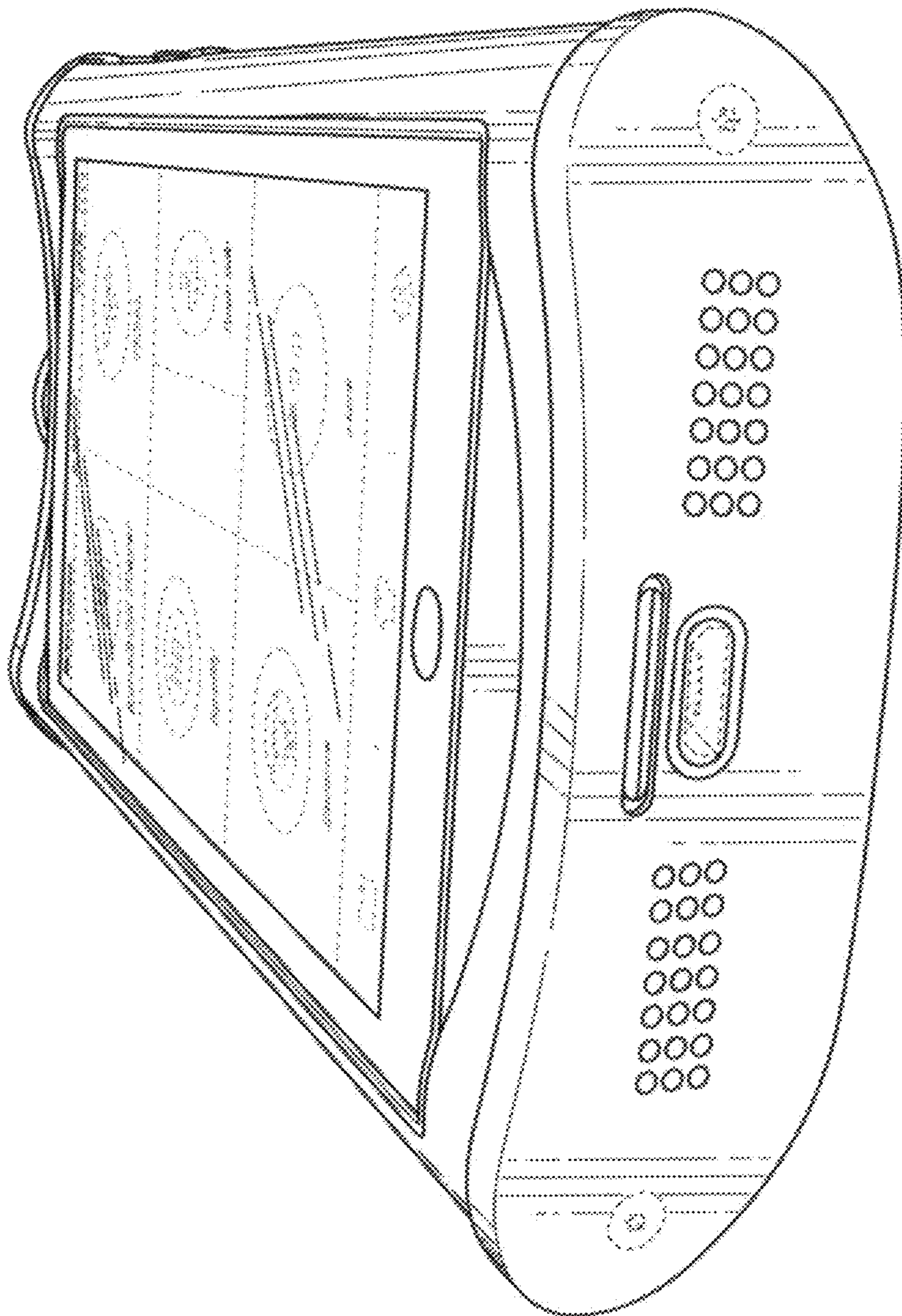


FIG. 4

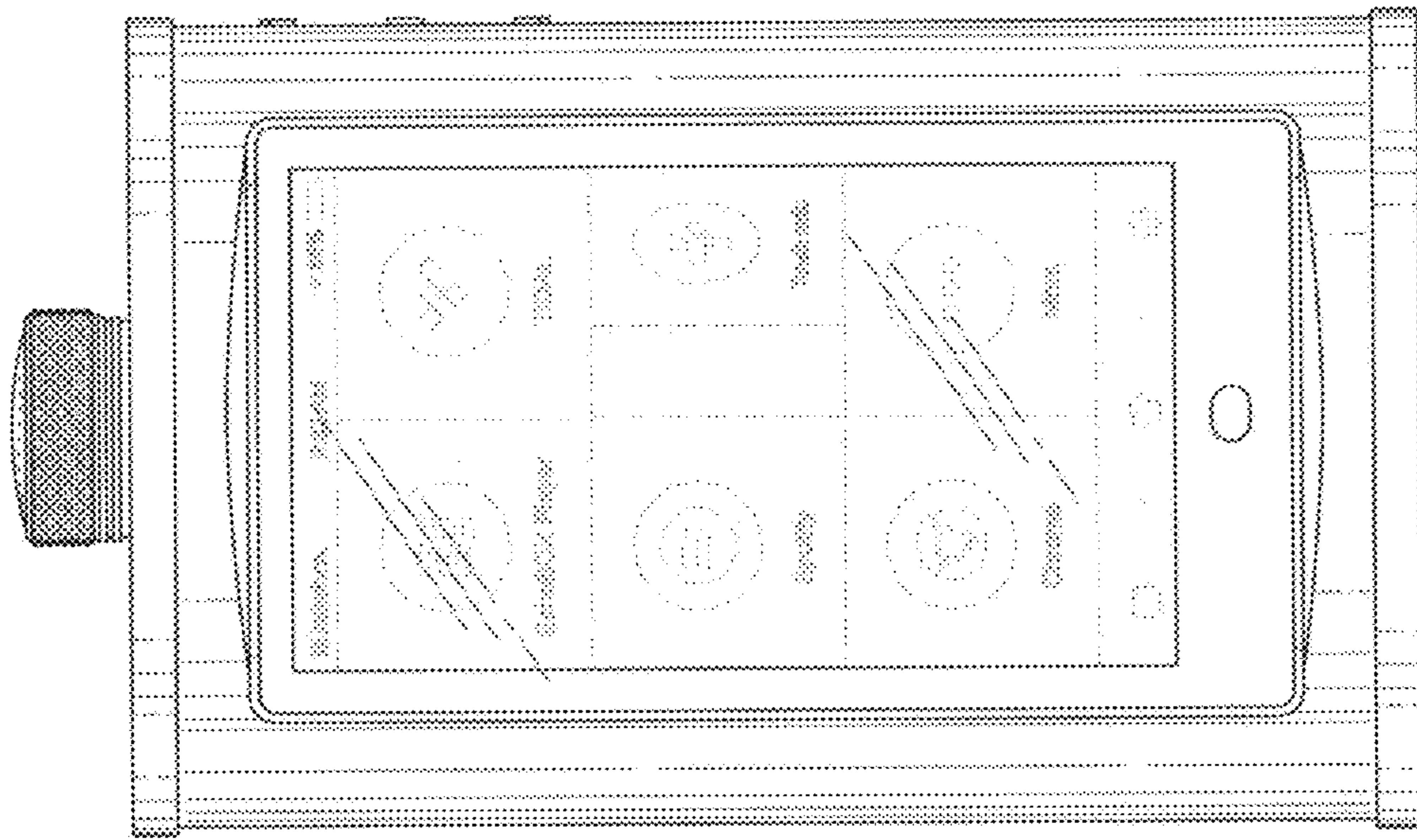


FIG. 5

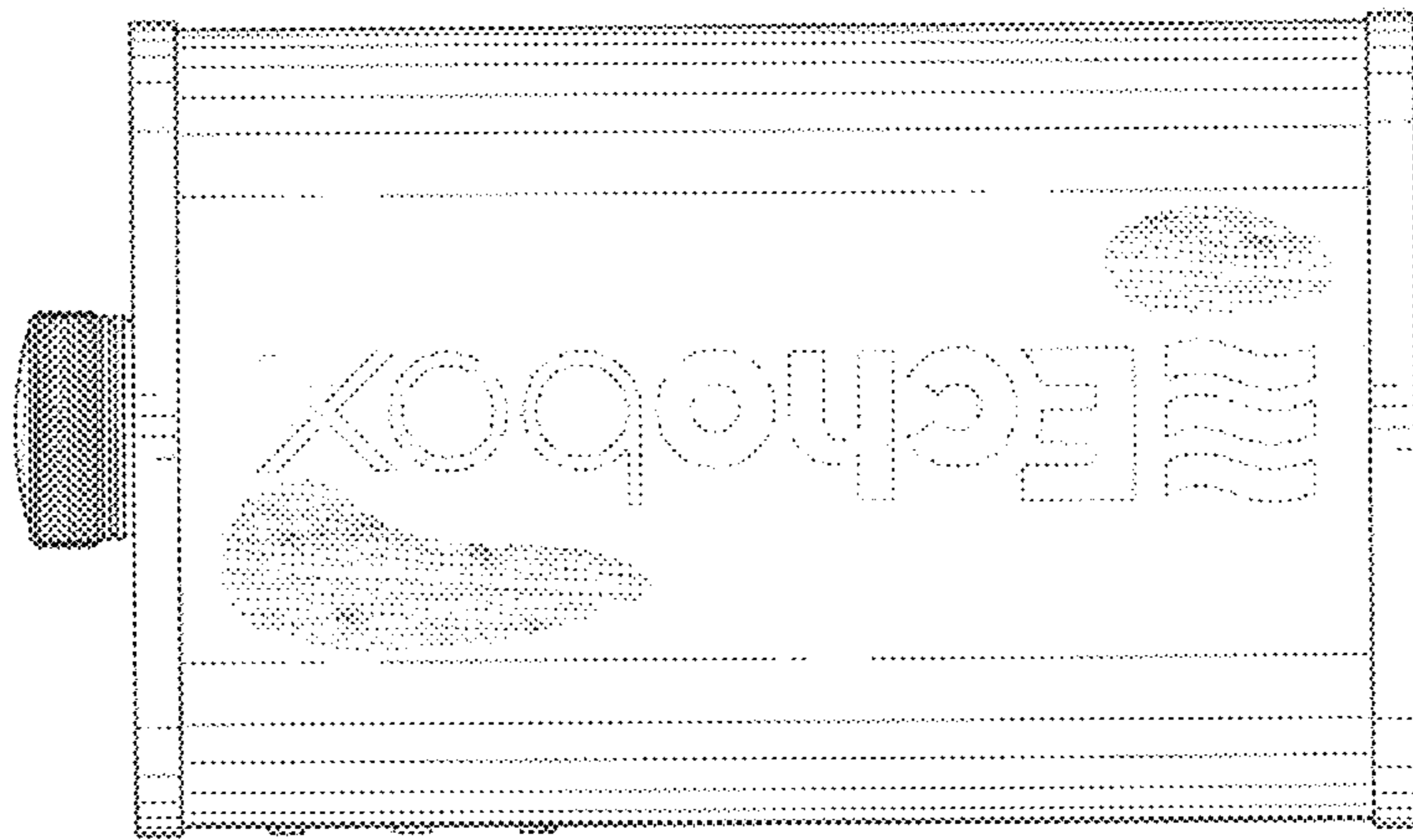


FIG. 6