



US00D804443S

(12) **United States Design Patent** (10) **Patent No.:** **US D804,443 S**
Kang et al. (45) **Date of Patent:** **** Dec. 5, 2017**

(54) **MOBILE TERMINAL**

FOREIGN PATENT DOCUMENTS

(71) Applicant: **SAMSUNG ELECTRONICS CO., LTD.**, Suwon-si (KR)

CN 303387364 * 9/2015

(72) Inventors: **Byung-Jin Kang**, Seoul (KR);
Do-Hyung Lee, Yongin-si (KR);
Kyu-Hong Kim, Yongin-si (KR)

OTHER PUBLICATIONS

Lenovo flexible Phone and Tablet Concept Lenovo flexible Smartphone Upcoming in 2017, Jun. 9, 2016, [online], [site visited Feb. 9, 2017]. Retrieved from <url:https://www.youtube.com/watch?v=jIIv7FZw73Q>.*

(73) Assignee: **SAMSUNG ELECTRONICS CO., LTD.**, Gyeonggi-Do (KR)

(Continued)

(**) Term: **15 Years**

Primary Examiner — Jeffrey D Asch

(21) Appl. No.: **29/559,841**

Assistant Examiner — Tracey J Bell

(22) Filed: **Mar. 31, 2016**

(74) *Attorney, Agent, or Firm* — Cantor Colburn LLP

(30) **Foreign Application Priority Data**

(57) **CLAIM**

Oct. 2, 2015 (KR) 30-2015-0049862
Oct. 2, 2015 (KR) 30-2015-0049872

The ornamental design for a mobile terminal, as shown and described.

(51) **LOC (10) Cl.** **14-03**

DESCRIPTION

(52) **U.S. Cl.**
USPC **D14/138 AB**; D14/341; D14/345;
D14/138 G

FIG. 1 is a perspective view of a mobile terminal showing our new design;

(58) **Field of Classification Search**
USPC D14/203.4, 341, 345, 346, 138 AD,
D14/138 R, 138 G, 138 AC, 138 C, 248,
D14/203.7, 496, 315-318, 330, 342, 250,
D14/138 AB; 361/676.27; D19/26
CPC G06F 1/1626; G06F 1/1652; H04M 1/027;
H04M 1/0202; H04M 1/0279; H04M
1/0235; H04M 1/0237; H04M 1/0239;

FIG. 2 is a front view of FIG. 1;

FIG. 3 is a rear view of FIG. 1;

FIG. 4 is a left-side view of FIG. 1;

FIG. 5 is a right-side view of FIG. 1;

FIG. 6 is a top plan view of FIG. 1;

FIG. 7 is a bottom plan view of FIG. 1;

FIG. 8 is another perspective view of FIG. 1 in a folded position;

FIG. 9 is a front view of FIG. 8;

FIG. 10 is a rear view of FIG. 8;

FIG. 11 is a left-side view of FIG. 8;

FIG. 12 is a right-side view of FIG. 8;

FIG. 13 is a top plan view of FIG. 8; and,

FIG. 14 is a bottom plan view of FIG. 8.

The broken lines illustrating portions of the mobile terminal form no part of the claimed design.

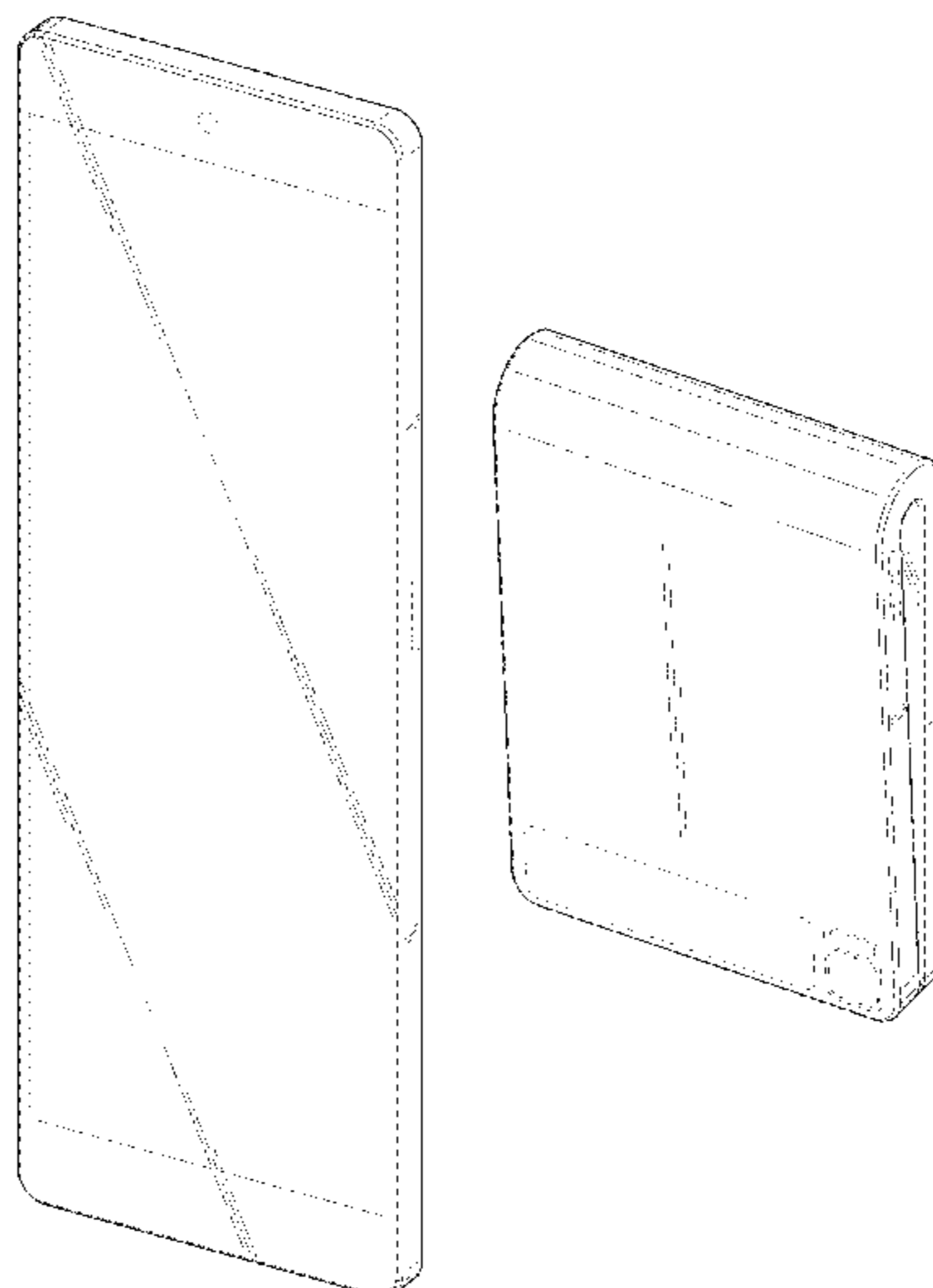
(56) **References Cited**

U.S. PATENT DOCUMENTS

D563,362 S * 3/2008 LaDelfa D14/138 C
8,890,911 B2 * 11/2014 Moriwaki G09G 3/3208
345/1.3

(Continued)

1 Claim, 10 Drawing Sheets



(58) **Field of Classification Search**
 CPC H04M 1/0266; H04M 1/0268; H04M
 1/0295; B42D 3/00
 See application file for complete search history.

(56) **References Cited**

U.S. PATENT DOCUMENTS

8,929,085 B2 * 1/2015 Franklin G06F 1/1626
 361/749
 8,988,381 B1 * 3/2015 Kim G06F 1/1652
 345/108
 8,994,651 B2 * 3/2015 Park G09G 3/001
 345/156
 9,013,458 B2 * 4/2015 Cho G06F 1/1601
 345/204
 9,020,571 B2 * 4/2015 Chi H04B 1/38
 455/566
 D736,752 S * 8/2015 Lee D14/248
 9,152,225 B2 * 10/2015 Park G06F 3/01
 9,235,273 B2 * 1/2016 Opran G06F 3/0202
 D748,625 S * 2/2016 Takahashi D14/345
 9,250,701 B2 * 2/2016 Kim G06F 3/01
 9,298,221 B2 * 3/2016 Choi G06F 1/1677
 9,342,106 B2 * 5/2016 Nurmi G06F 1/1652
 9,344,672 B2 * 5/2016 Lee H04M 1/0202
 9,348,362 B2 * 5/2016 Ko G06F 1/1626
 9,354,742 B2 * 5/2016 Nagaraju G06F 3/0416
 D759,009 S * 6/2016 Kim D14/344
 D767,526 S * 9/2016 Lee D14/138 AB
 D771,041 S * 11/2016 Bae D14/341
 D771,628 S * 11/2016 Bae D14/341
 D786,816 S * 5/2017 Choo D14/138 AA

D788,726 S * 6/2017 Lee D14/138 AB
 2004/0008191 A1 * 1/2004 Poupyrev G06F 3/011
 345/184
 2008/0303782 A1 * 12/2008 Grant G06F 1/1615
 345/156
 2010/0120470 A1 * 5/2010 Kim G06F 1/1615
 455/566
 2011/0241998 A1 * 10/2011 McKinney G06F 1/1616
 345/168
 2013/0321373 A1 * 12/2013 Yoshizumi G09G 5/00
 345/211
 2014/0320396 A1 * 10/2014 Modarres G06F 3/0412
 345/156
 2014/0362513 A1 * 12/2014 Nurmi G06F 1/1652
 361/679.27
 2015/0242083 A1 * 8/2015 Rainisto G06F 3/0485
 715/784
 2015/0261254 A1 * 9/2015 Hiroki G06F 1/163
 361/679.03
 2015/0381929 A1 * 12/2015 Lee H04M 1/0202
 348/14.03
 2016/0011628 A1 * 1/2016 Sato G06F 1/1656
 361/679.3
 2016/0357158 A1 * 12/2016 Kim G06F 1/163

OTHER PUBLICATIONS

Samsung to Launch Flexible OLED Cell Phone in 2012, Nov. 7, 2011, [online], [site visited Feb. 9, 2017]. Retrieved from <url:http://inhabitat.com/samsung-to-launch-flexible-oled-cell-phone-next-year/>.*

* cited by examiner

FIG. 1

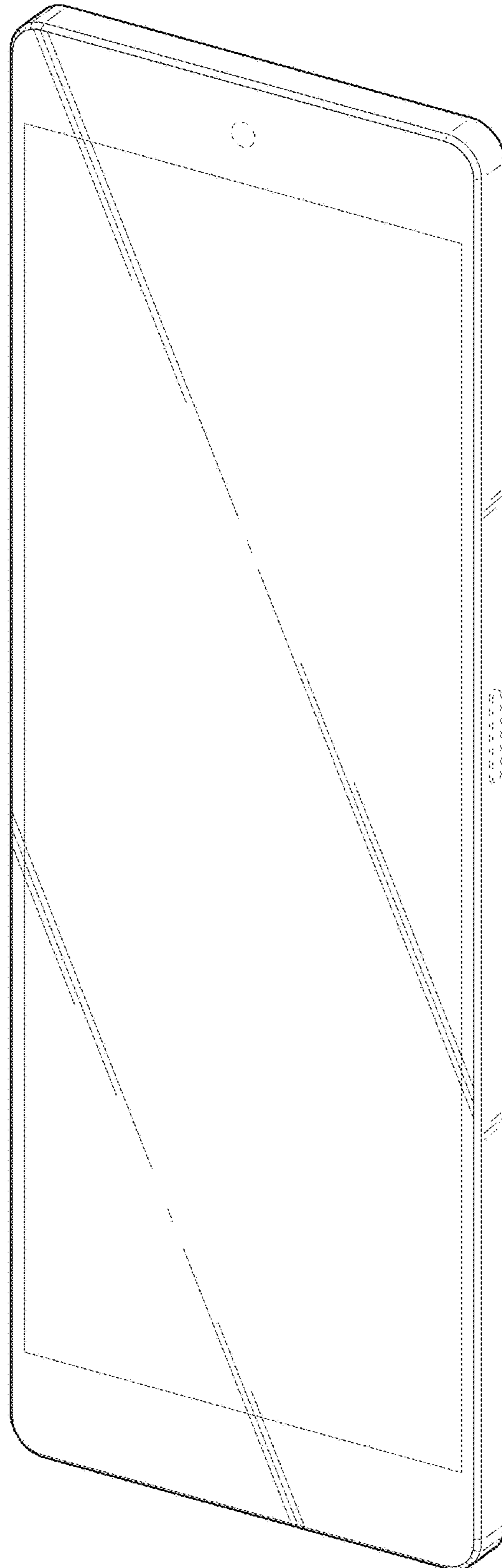


FIG. 2

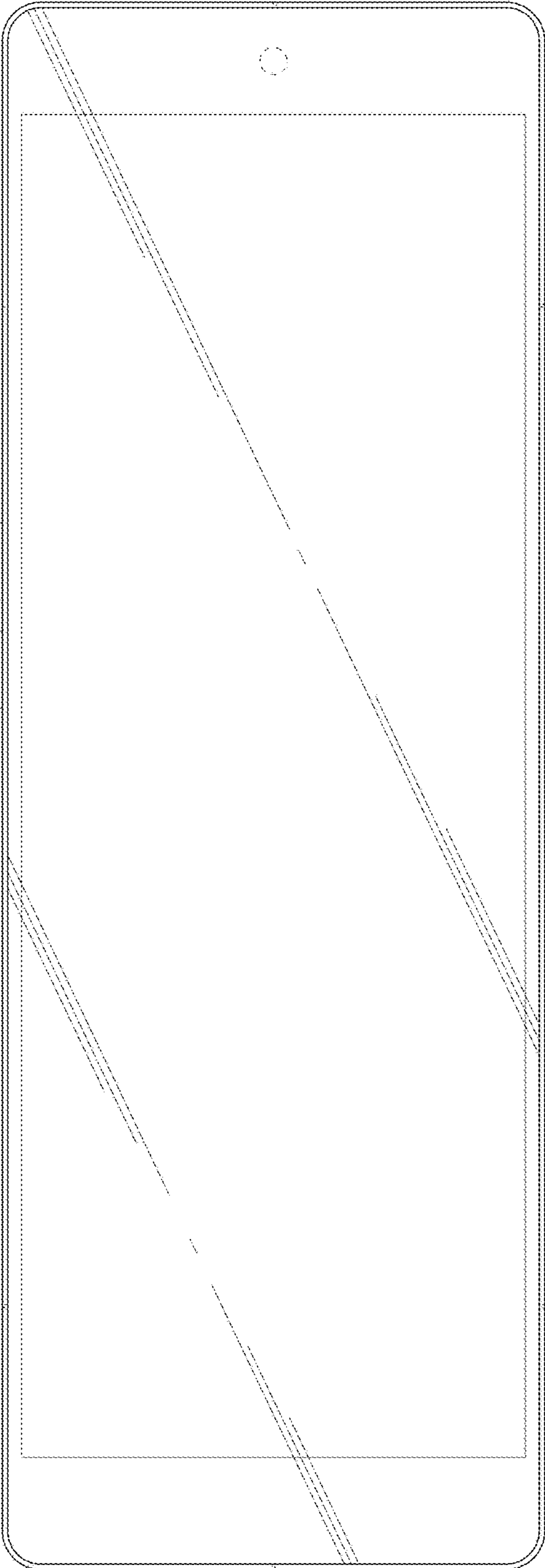


FIG. 3

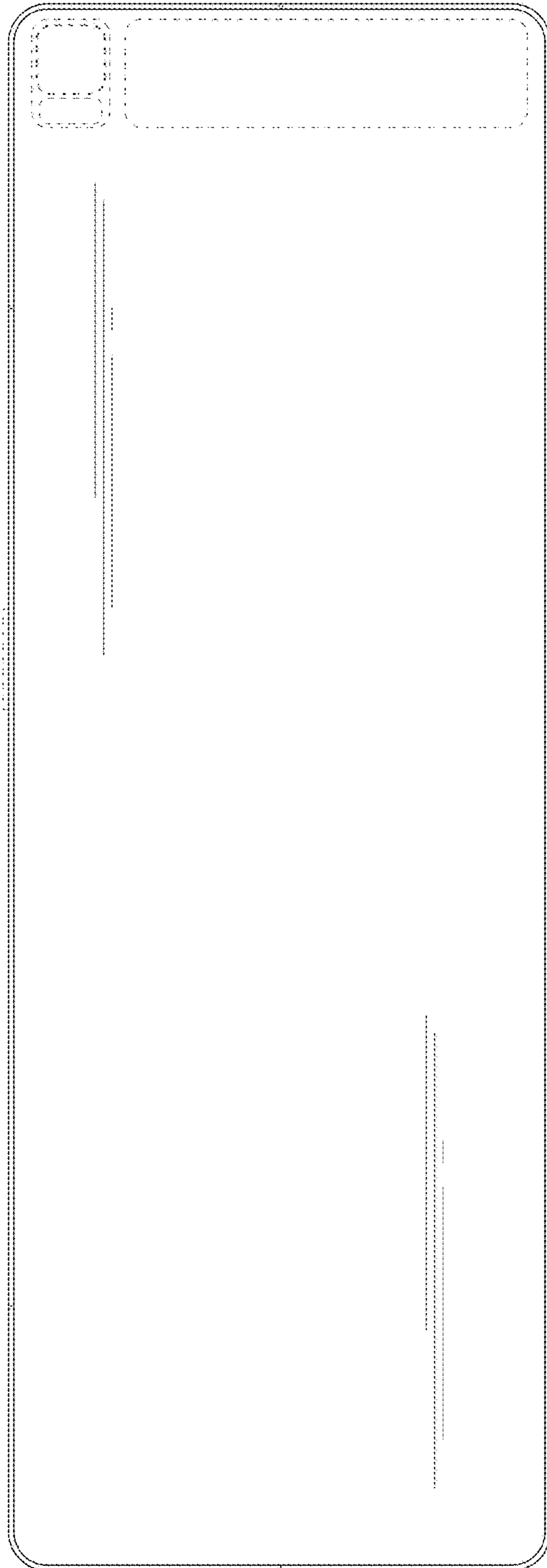


FIG. 4



FIG. 5

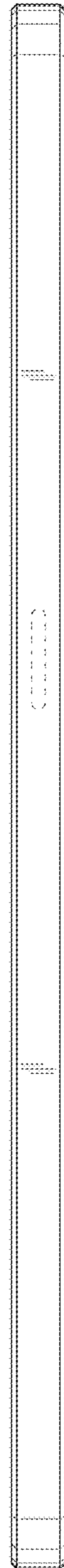


FIG. 6



FIG. 7



FIG. 8

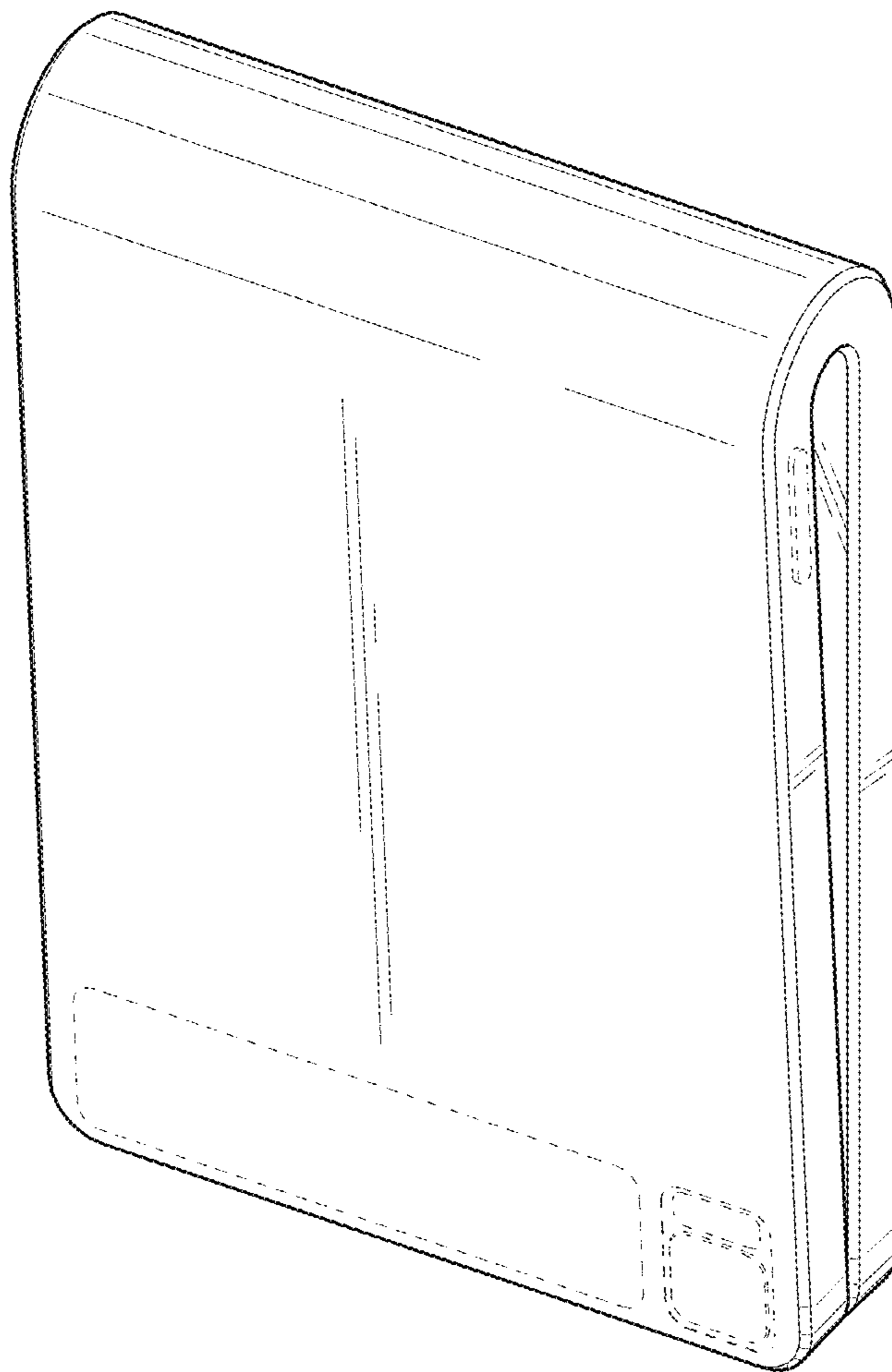


FIG. 9

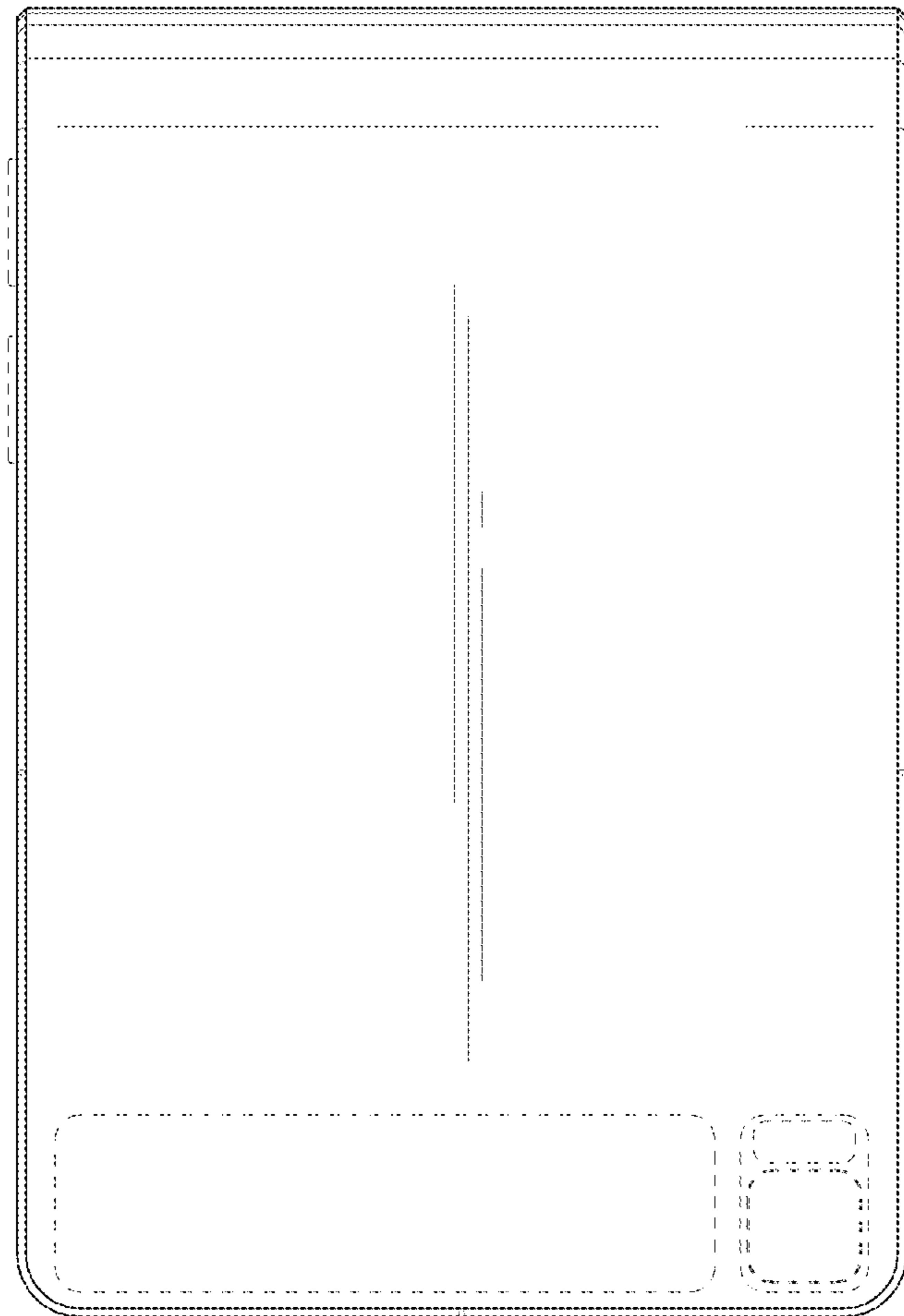


FIG. 10

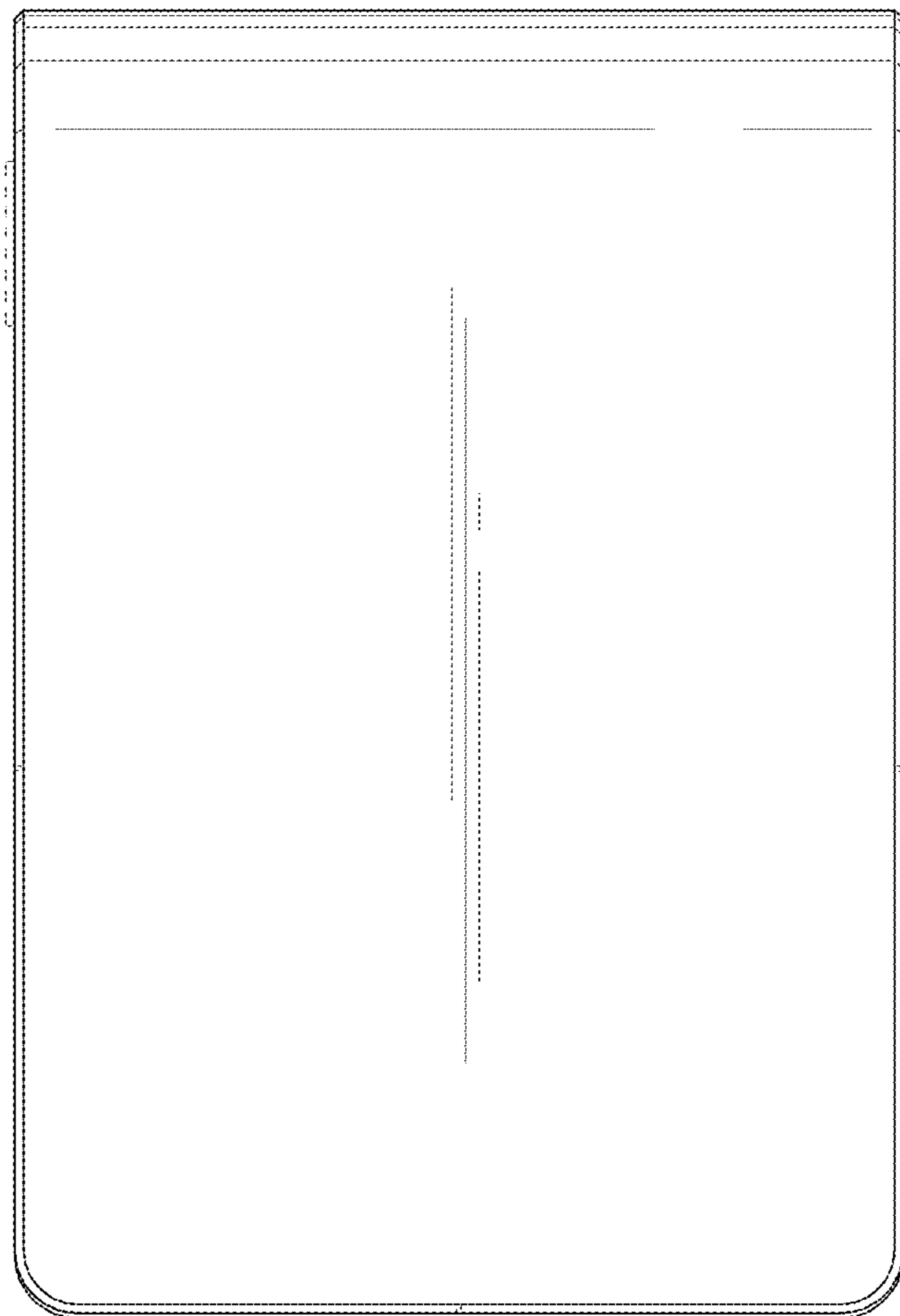


FIG. 11

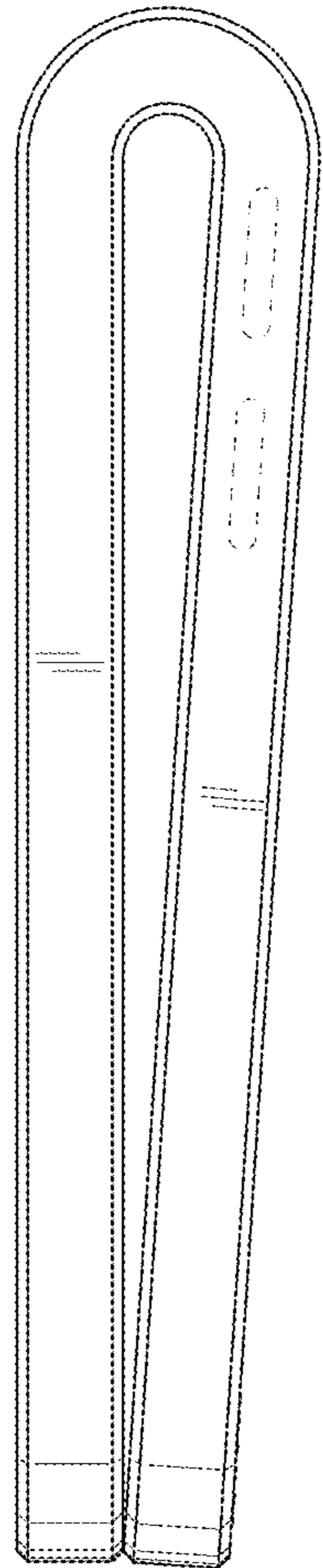


FIG. 12

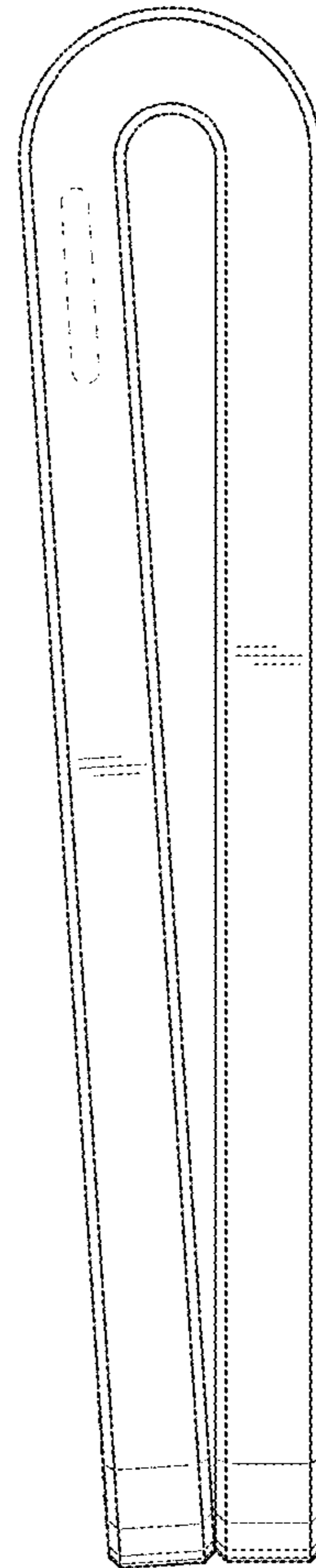


FIG. 13

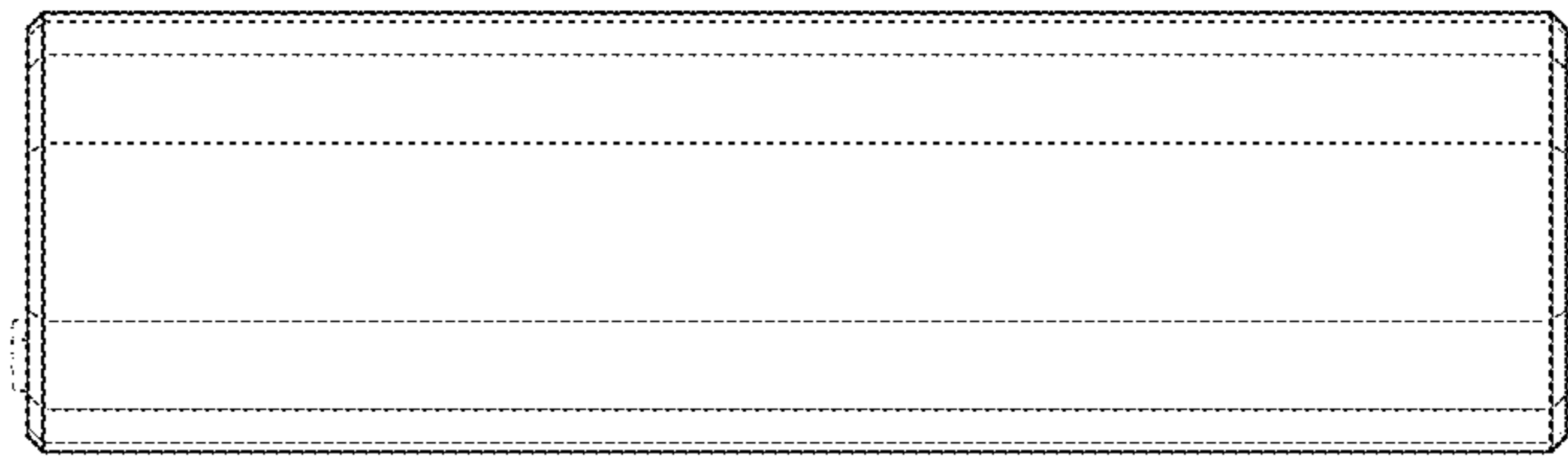


FIG. 14

