



US00D804433S

(12) **United States Design Patent** (10) **Patent No.:** **US D804,433 S**  
**Zhuo** (45) **Date of Patent:** **\*\* Dec. 5, 2017**

(54) **LED LIGHT CONTROLLER**  
(71) Applicant: **ZHONGSHAN YINGHAO SOLAR TECHNOLOGY CO.,LTD**, Zhongshan (CN)

(72) Inventor: **Qiang Zhuo**, Zhongshan (CN)

(\*\*) Term: **15 Years**

(21) Appl. No.: **29/572,159**

(22) Filed: **Jul. 26, 2016**

(51) **LOC (10) Cl.** ..... **14-03**

(52) **U.S. Cl.**  
USPC ..... **D13/168**

(58) **Field of Classification Search**  
USPC ..... D13/164, 168, 174; D14/218; D26/37, D26/38; D3/209  
CPC .... H03J 1/0025; H03J 9/00; H03J 9/02; H03J 9/04; H03J 9/06; H01H 9/18; H01H 9/0235; H04B 1/202; H05B 33/0803; H05B 33/0863; H05B 37/02; H05B 37/0272; H05B 39/088; H05B 39/041; G05B 11/01; G05B 2219/2642; G08C 17/00; G08C 17/02; G08C 19/28; G08C 23/04; G08C 2201/20; G08C 2201/30; G08C 2201/33; G08C 2201/40; G08C 2201/91; G08C 2201/92

See application file for complete search history.

(56) **References Cited**

**U.S. PATENT DOCUMENTS**

D542,235 S \* 5/2007 Rashid ..... D13/168  
D556,154 S \* 11/2007 Poulet ..... D13/168  
D633,447 S \* 3/2011 Schaal ..... D13/168

D638,806 S \* 5/2011 Kim ..... D13/168  
D647,067 S \* 10/2011 Kim ..... D13/168  
D661,664 S \* 6/2012 Felegy, Jr. .... D13/168  
9,135,812 B1 \* 9/2015 Carley ..... H01R 33/94  
D754,617 S \* 4/2016 Altonen ..... D13/168  
D770,421 S \* 11/2016 Pettersen ..... D14/218  
2005/0231134 A1 \* 10/2005 Sid ..... H05B 37/0272  
315/294  
2008/0111491 A1 \* 5/2008 Spira ..... H05B 39/088  
315/158  
2009/0251352 A1 \* 10/2009 Altonen ..... H01H 9/025  
341/176  
2011/0266122 A1 \* 11/2011 Zaharchuk ..... H01H 9/18  
200/308

\* cited by examiner

*Primary Examiner* — Selina Sikder

(74) *Attorney, Agent, or Firm* — Wayne & Ken, LLC; Tony Hom

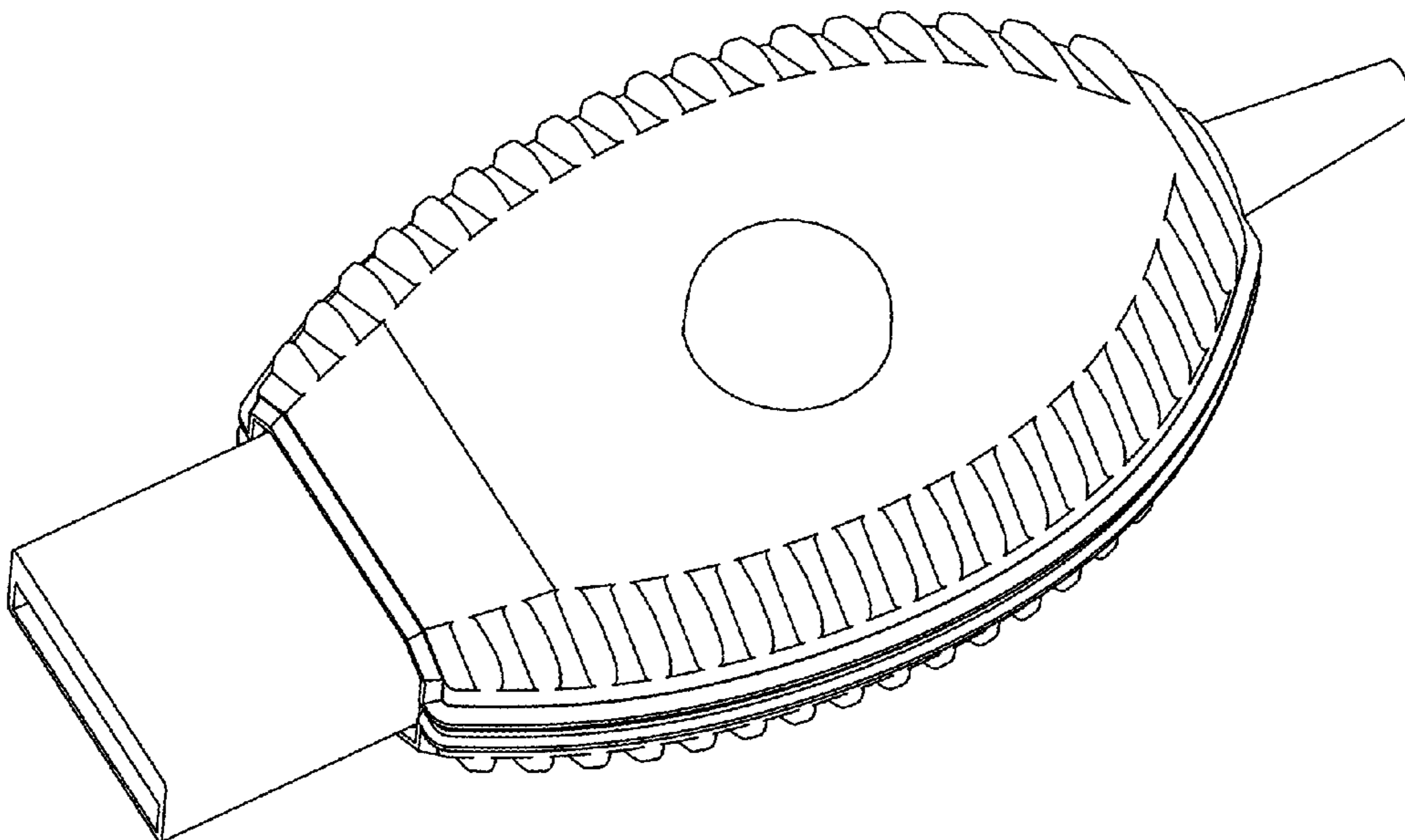
(57) **CLAIM**

The ornamental design for LED light controller, as shown and described.

**DESCRIPTION**

FIG. 1 is perspective view showing my design;  
FIG. 2 is a front view showing my design;  
FIG. 3 is a back view showing my design;  
FIG. 4 is a left side view showing my design;  
FIG. 5 is a right side view showing my design;  
FIG. 6 is a top plan view showing my design enlarged for ease of illustration; and,  
FIG. 7 is a bottom plan view showing my design.  
The broken lines in the drawing depict environmental subject matter only and form no part of the claimed design.

**1 Claim, 7 Drawing Sheets**



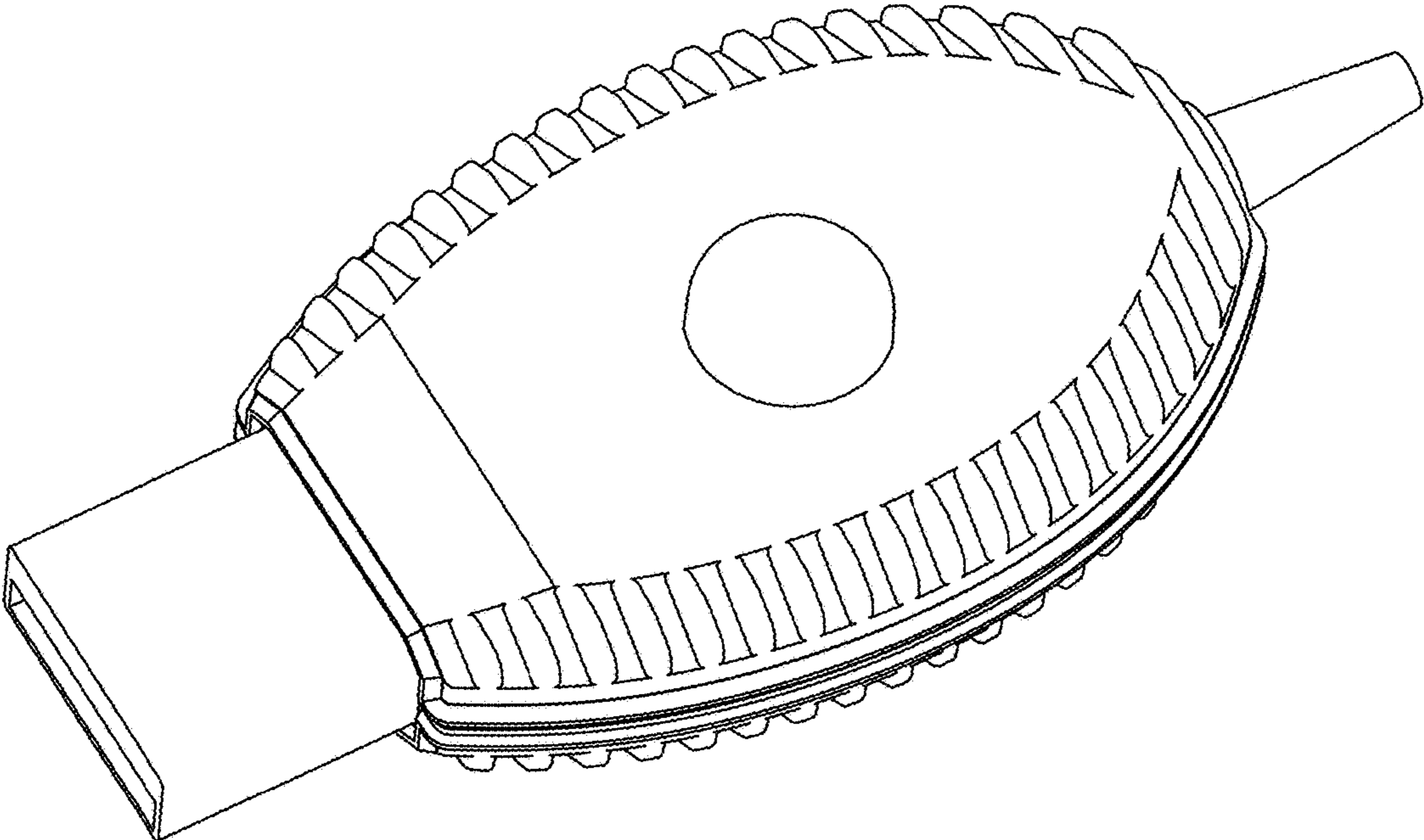


FIG .1

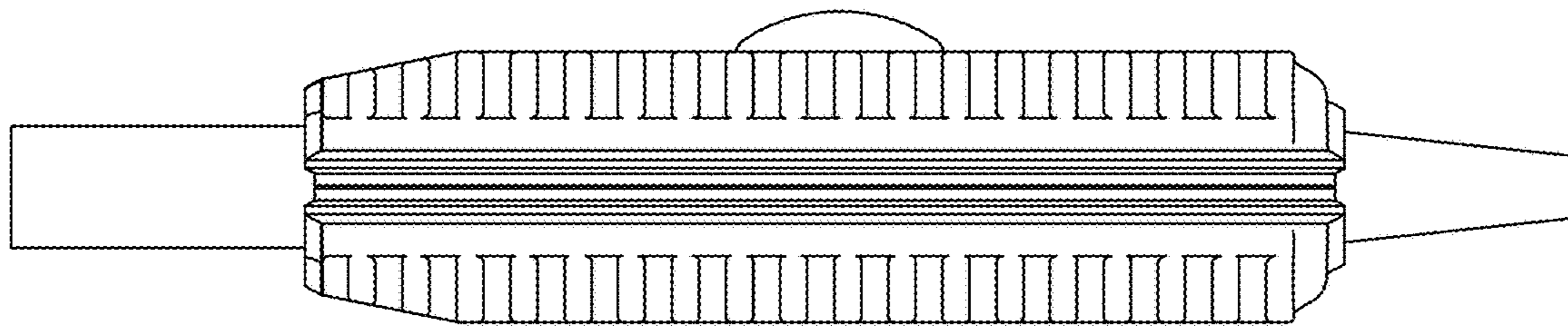


FIG .2

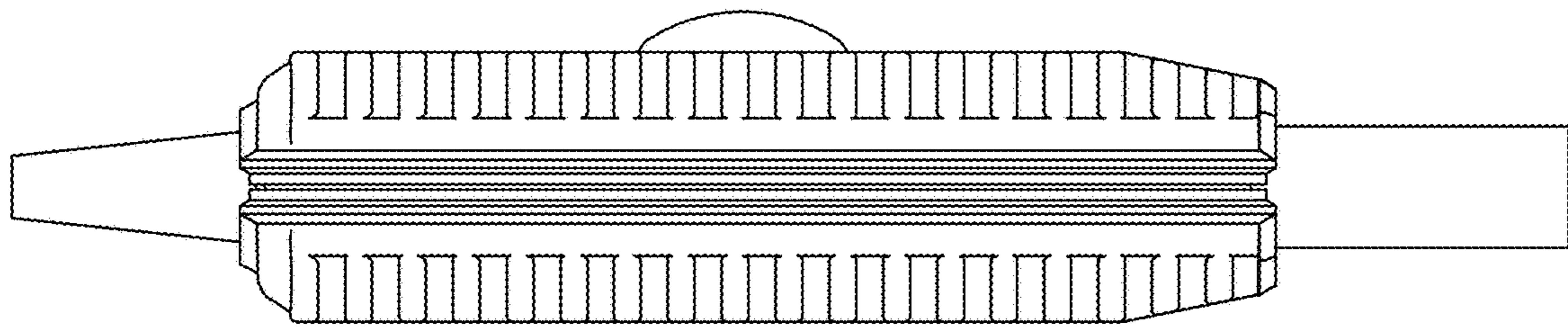


FIG .3

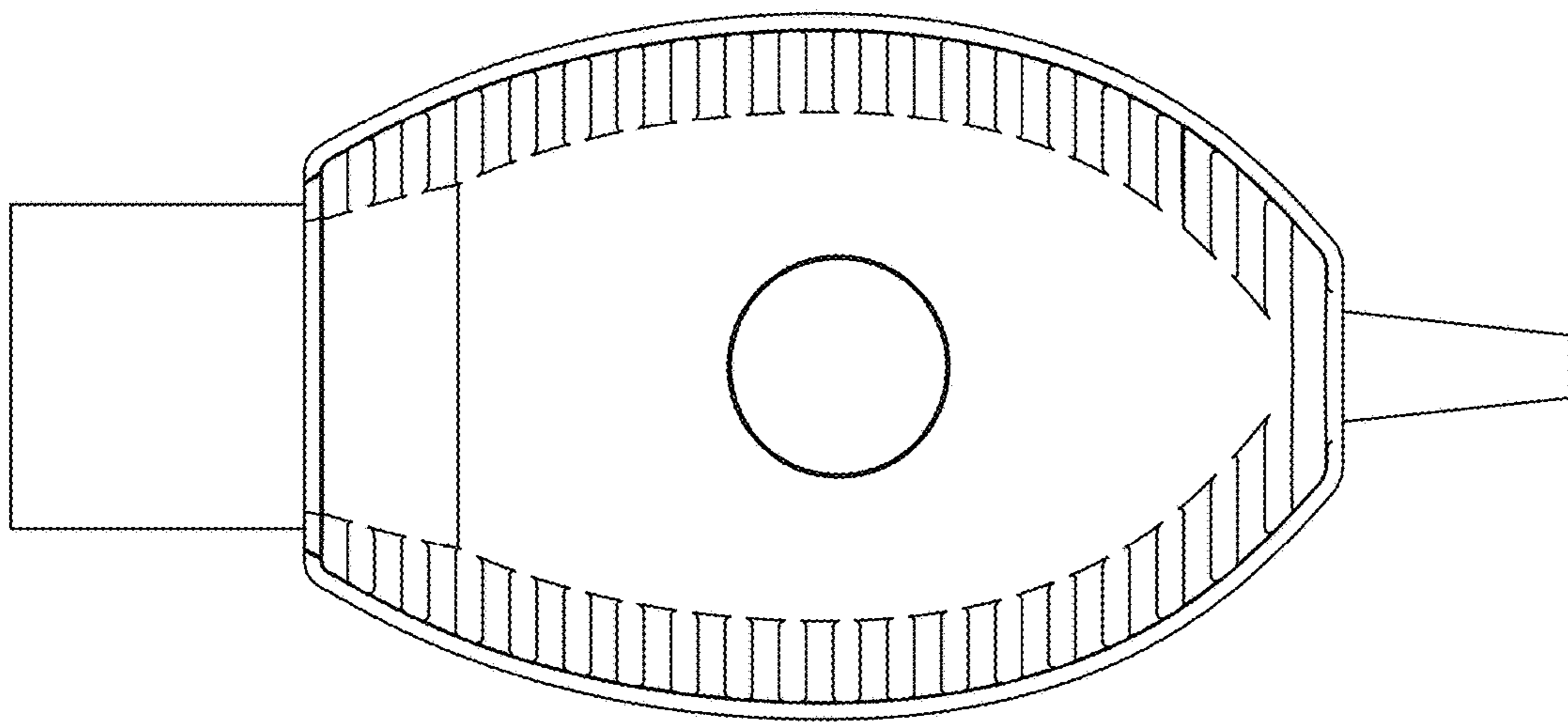


FIG .4

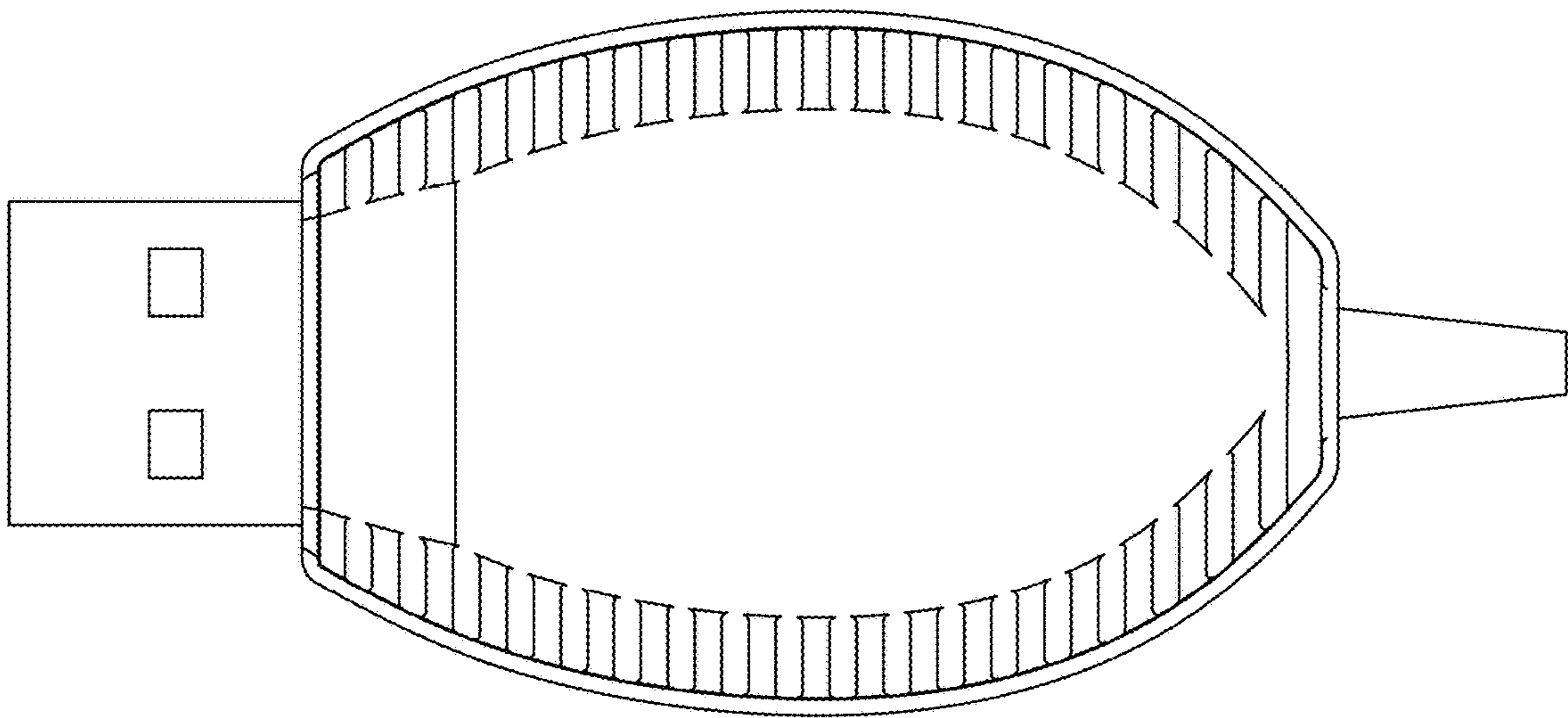


FIG .5

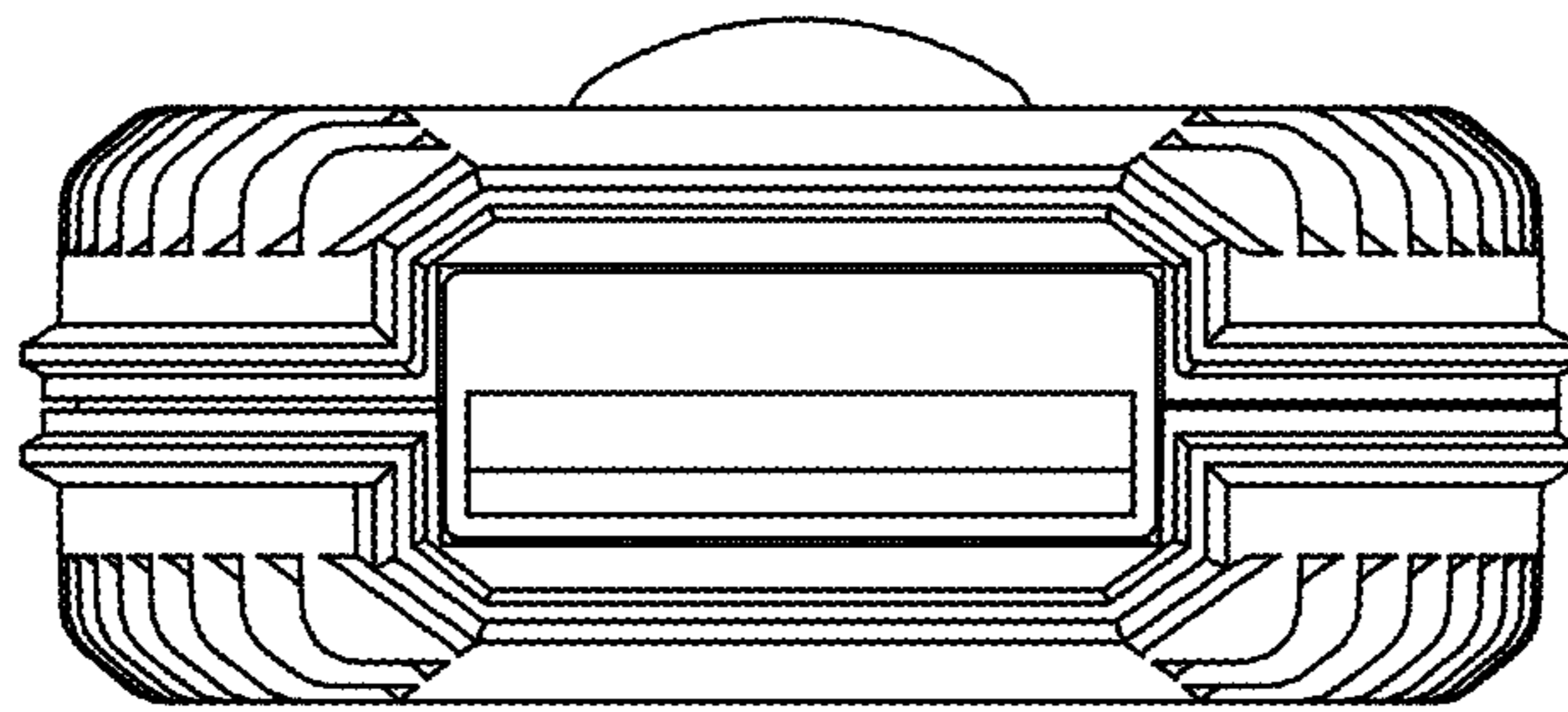


FIG .6

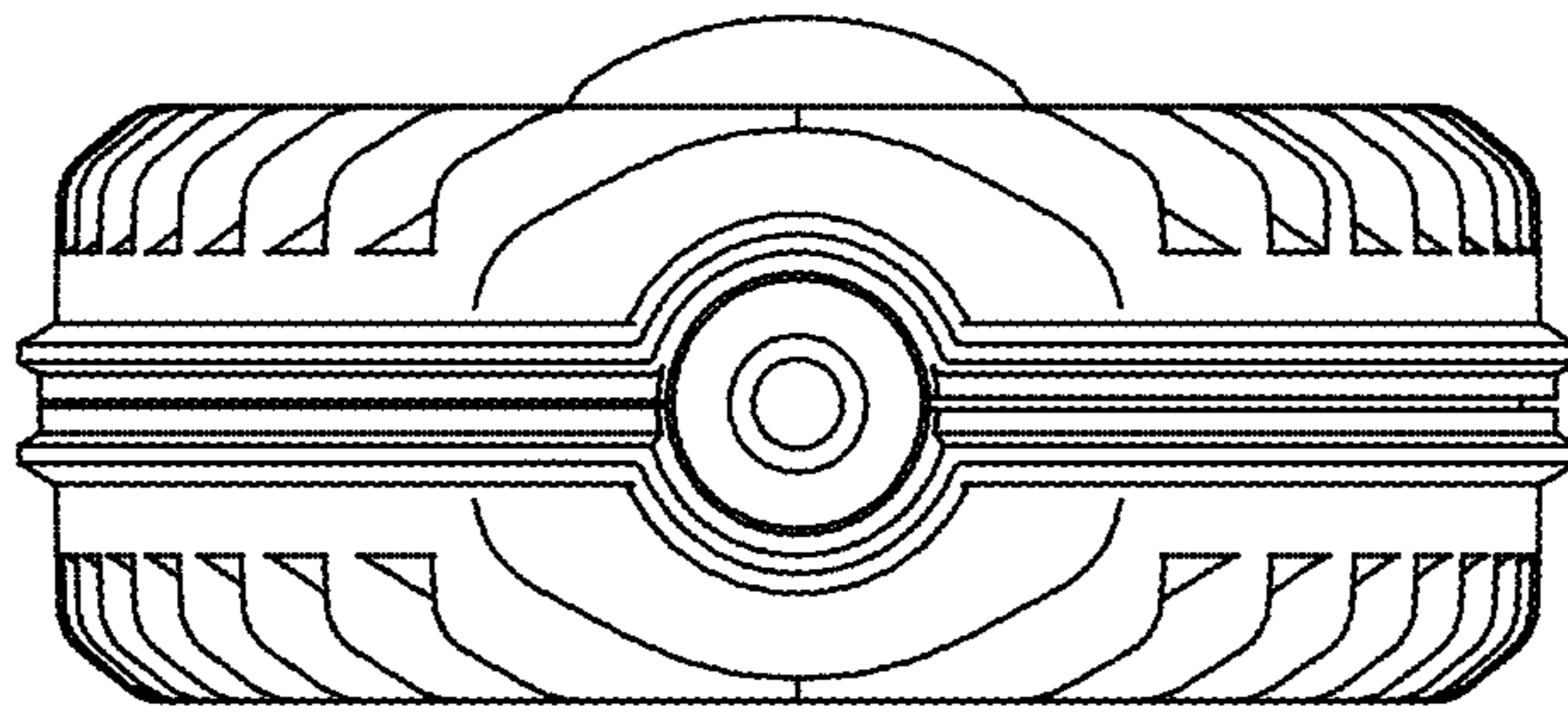


FIG .7