



US00D804432S

(12) **United States Design Patent** (10) **Patent No.:** **US D804,432 S**
Burkell et al. (45) **Date of Patent:** **** Dec. 5, 2017**

(54) **SYSTEM CONTROLLER ENCLOSURE**

D290,836 S 7/1987 Oesterheld et al.
D300,426 S 3/1989 Lotz
D304,929 S 12/1989 Bench et al.
D305,021 S 12/1989 Bench et al.
D310,825 S 9/1990 Crease et al.
D319,425 S * 8/1991 Bibbiani D13/123
D340,031 S 10/1993 Hill

(71) Applicant: **General Electric Company**,
Schenectady, NY (US)

(72) Inventors: **Neil William Burkell**, Lawrence Park,
PA (US); **Wing Yeung Chung**, Erie, PA
(US); **Neil Patrick Bradley**, Lawrence
Park, PA (US); **Michael Kjelson**, Erie,
PA (US); **Ronald Majewski**, Lawrence
Park, PA (US)

(Continued)

FOREIGN PATENT DOCUMENTS

NZ 408770 1/2008
NZ 417107 2/2013

(73) Assignee: **General Electric Company**,
Schenectady, NY (US)

OTHER PUBLICATIONS

Unofficial English Translation of Chilean Office Action issued in
connection with corresponding CL Application No. 201500503
dated Feb. 8, 2016.

(Continued)

(**) Term: **15 Years**

Primary Examiner — Selina Sikder
(74) *Attorney, Agent, or Firm* — Global Patent Operation;
John A. Kramer

(21) Appl. No.: **29/570,356**

(22) Filed: **Jul. 7, 2016**

Related U.S. Application Data

(62) Division of application No. 29/500,900, filed on Aug.
29, 2014.

(51) **LOC (10) Cl.** **13-03**

(52) **U.S. Cl.**
USPC **D13/162**

(58) **Field of Classification Search**

USPC D13/147, 162, 162.1, 164
CPC G06F 13/00; H01R 9/1465; H01R 13/514;
H05K 5/00; H05K 5/0026; H05K 5/03;
H05K 7/1462; H05K 7/1472
See application file for complete search history.

CLAIM

(57) The ornamental design for a system controller enclosure, as
shown and described.

DESCRIPTION

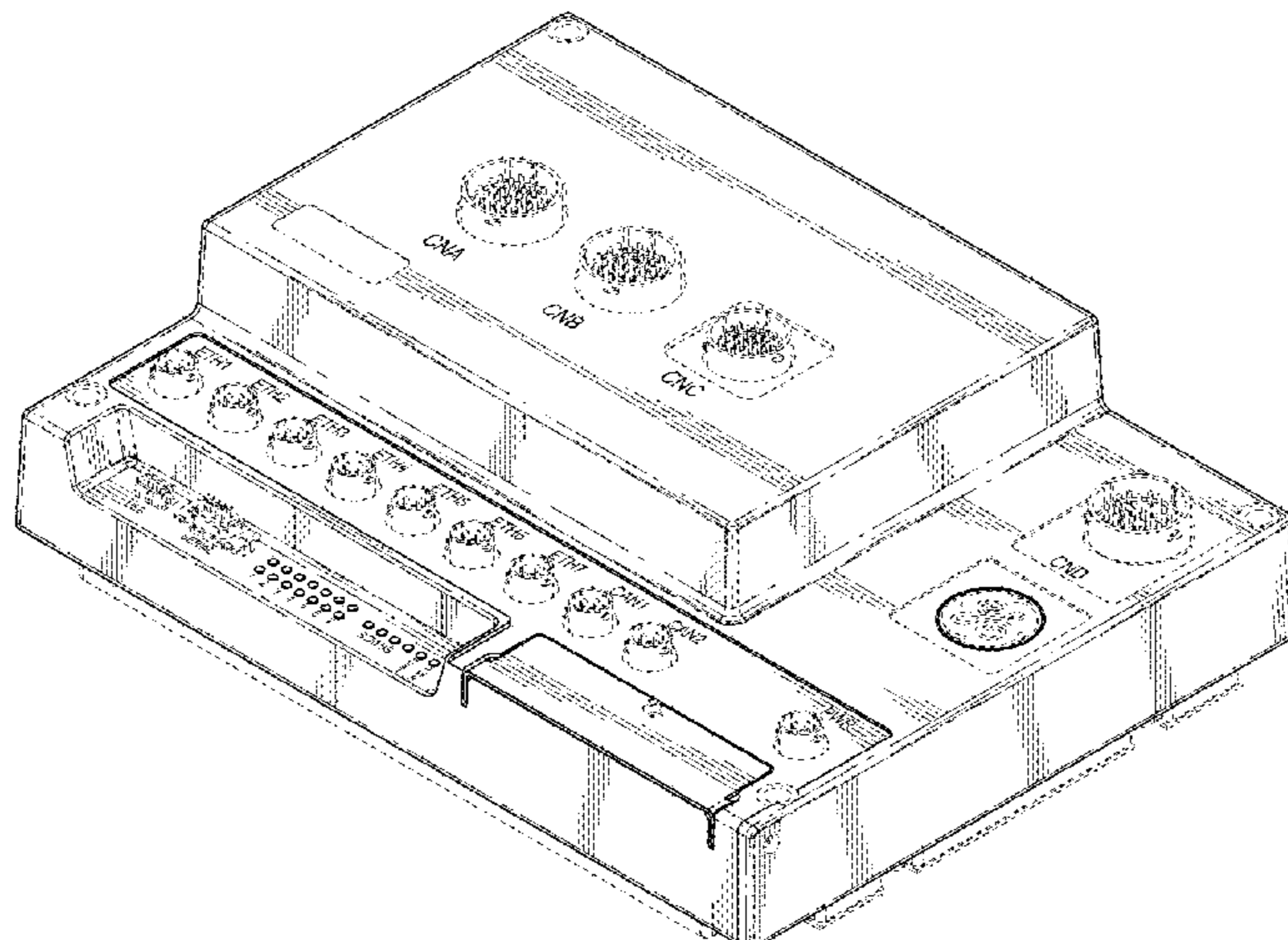
FIG. 1 is a perspective view of a system controller enclosure
depicting our new design;
FIG. 2 is a front elevational view thereof;
FIG. 3 is a rear elevational view thereof;
FIG. 4 is a left side elevational view thereof;
FIG. 5 is a right side elevational view thereof;
FIG. 6 is a top plan view thereof; and,
FIG. 7 is a bottom plan view thereof.
The broken line portion of the figure drawings is included to
show unclaimed subject matter only and forms no part of the
claimed designs.

(56) **References Cited**

U.S. PATENT DOCUMENTS

D247,238 S 2/1978 Eppich et al.
4,223,370 A 9/1980 Quere et al.
D285,924 S 9/1986 Wilson et al.
D286,053 S 10/1986 McDaniel et al.
D287,117 S 12/1986 Saiki et al.

1 Claim, 4 Drawing Sheets



(56)

References Cited

U.S. PATENT DOCUMENTS

D355,887 S * 2/1995 Rodeffer D13/110
 D425,483 S * 5/2000 Bechtold D13/147
 D443,586 S * 6/2001 Sakasegawa D13/123
 6,527,599 B2 * 3/2003 Bechtold H01R 27/02
 439/209
 6,634,910 B2 * 10/2003 Lieb H05K 7/1465
 439/271
 6,802,737 B2 * 10/2004 Bergner H01R 9/2658
 439/532
 D544,836 S * 6/2007 Sighner D13/123
 7,397,668 B2 * 7/2008 Sekine H05K 7/1465
 361/728
 D576,562 S * 9/2008 Kaluza D13/162
 D593,962 S * 6/2009 Ross D13/123
 7,619,898 B2 * 11/2009 Jensen H05K 5/0021
 361/715
 7,973,562 B1 * 7/2011 Zhang H03K 19/01850
 307/115

8,256,456 B2 * 9/2012 De Carolis F15B 13/0857
 137/560
 D688,212 S * 8/2013 Scheucher D13/158
 D705,742 S * 5/2014 Schneider D13/162
 D744,956 S * 12/2015 Sekine D13/147
 D763,201 S * 8/2016 Burkell D13/162

OTHER PUBLICATIONS

Unofficial English Translation of Chilean Office Action issued in connection with corresponding CL Application No. 201500504 dated Feb. 8, 2016.

Unofficial English Translation of Chilean Office Action issued in connection with corresponding CL Application No. 201500503 dated Jul. 13, 2016.

Unofficial English Translation of Chilean Office Action issued in connection with corresponding CL Application No. 201500504 dated Jul. 13, 2016.

* cited by examiner

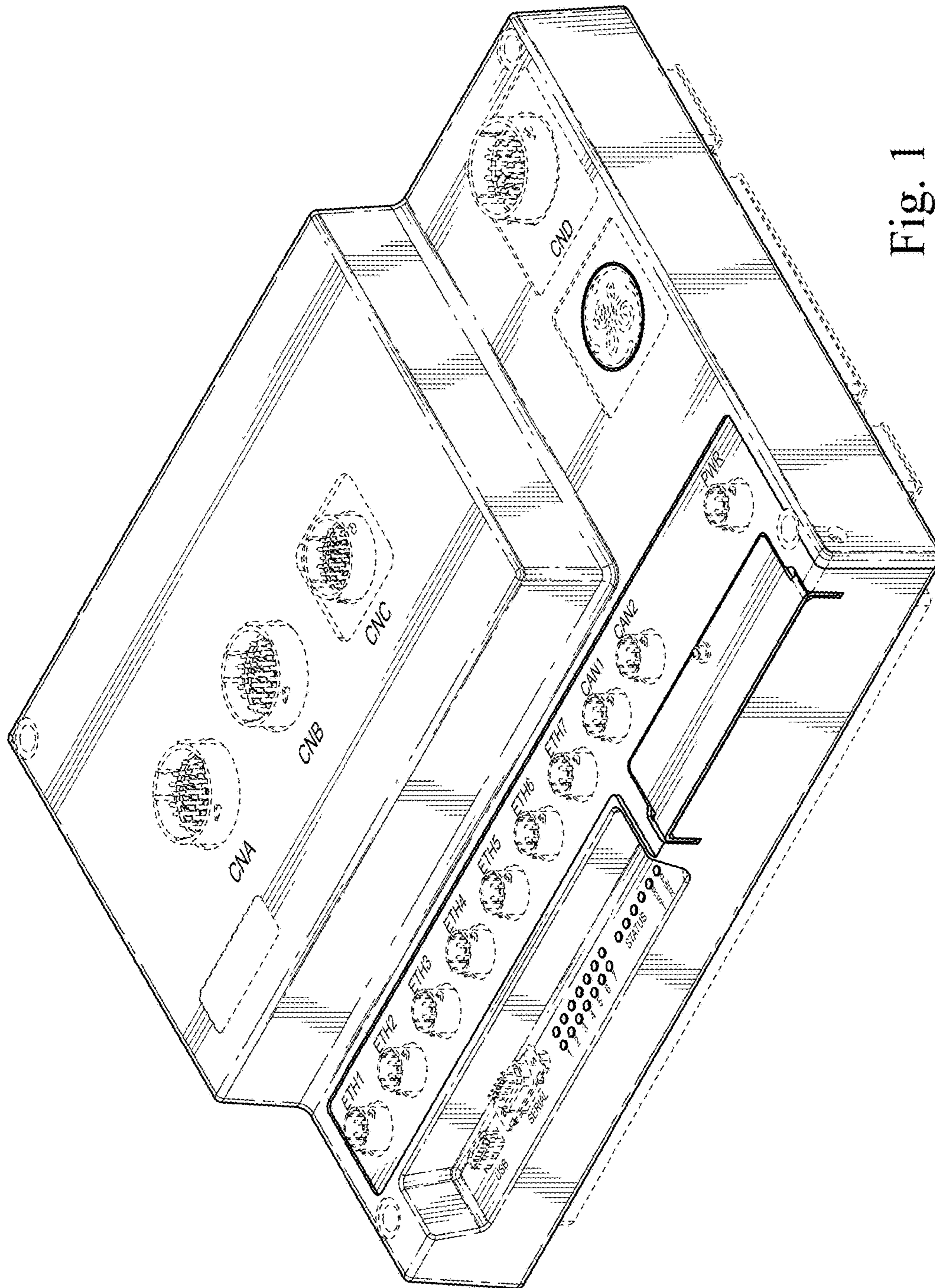


Fig. 1

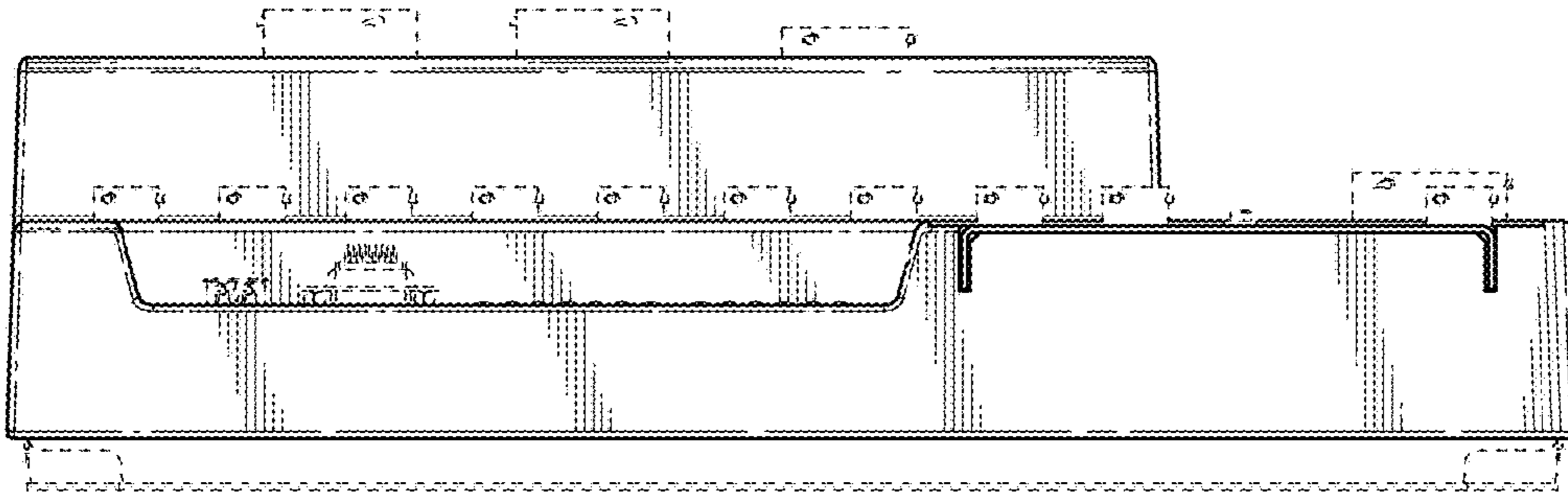


Fig. 2

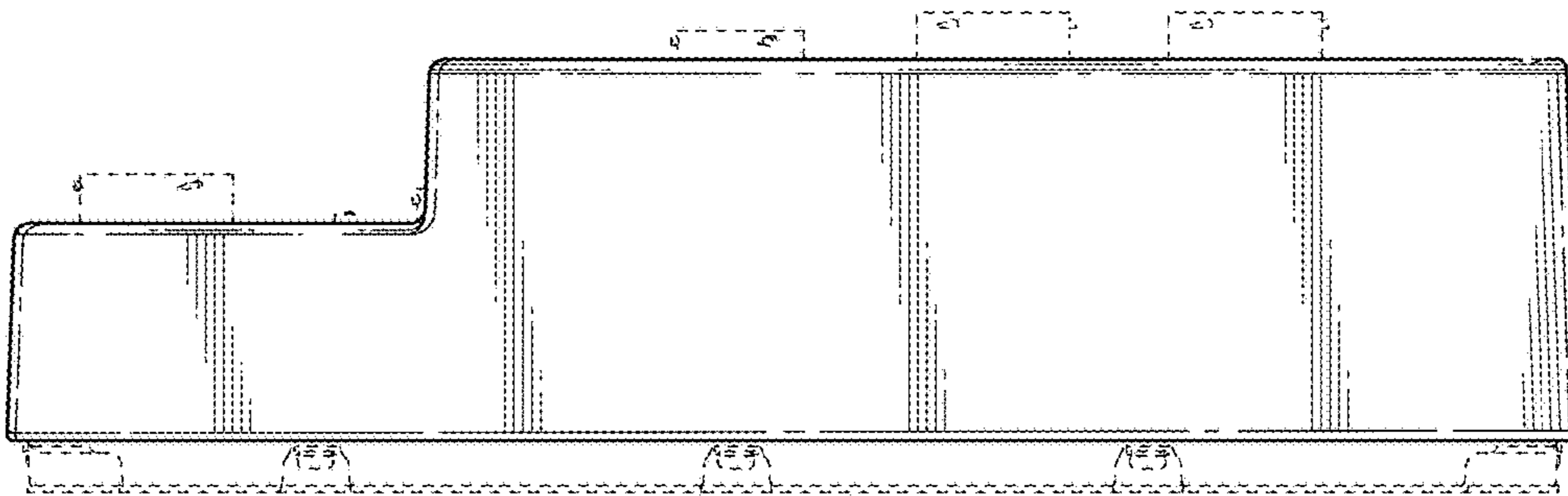


Fig. 3

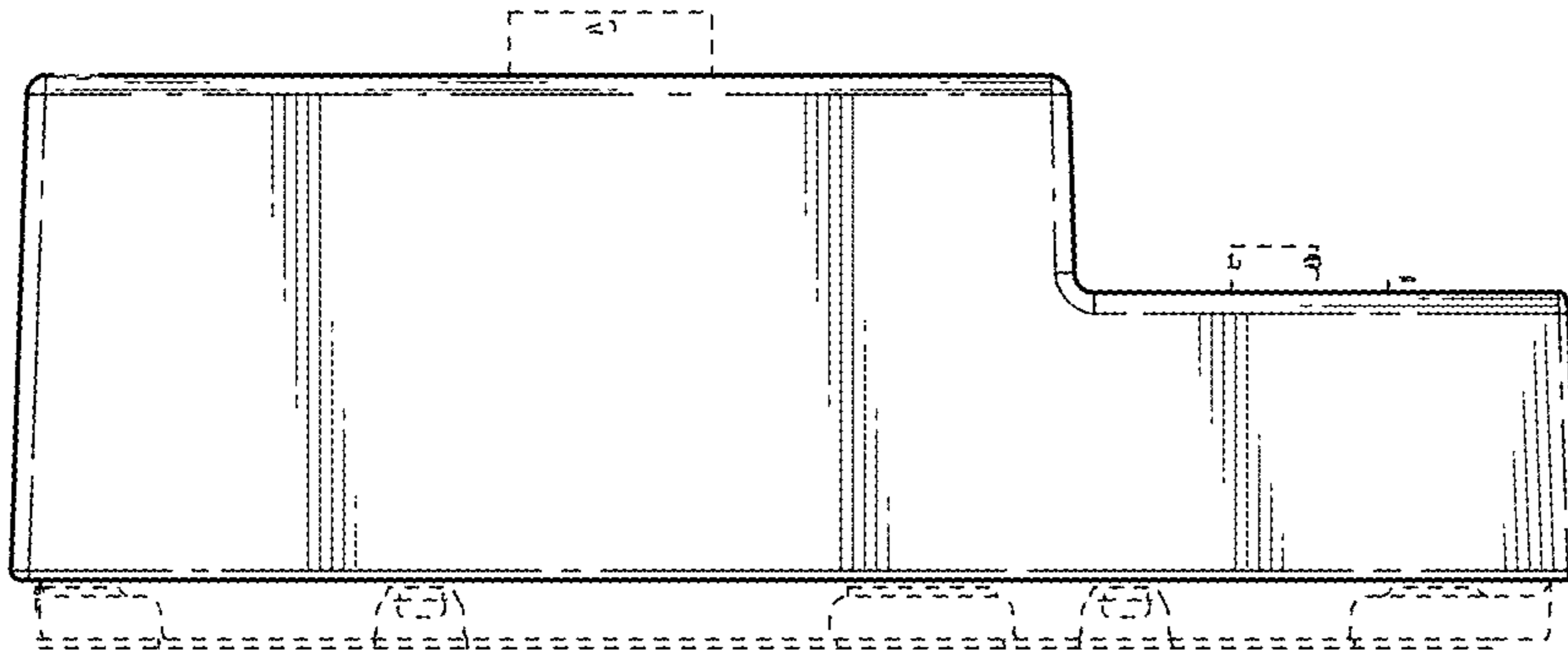


Fig. 4

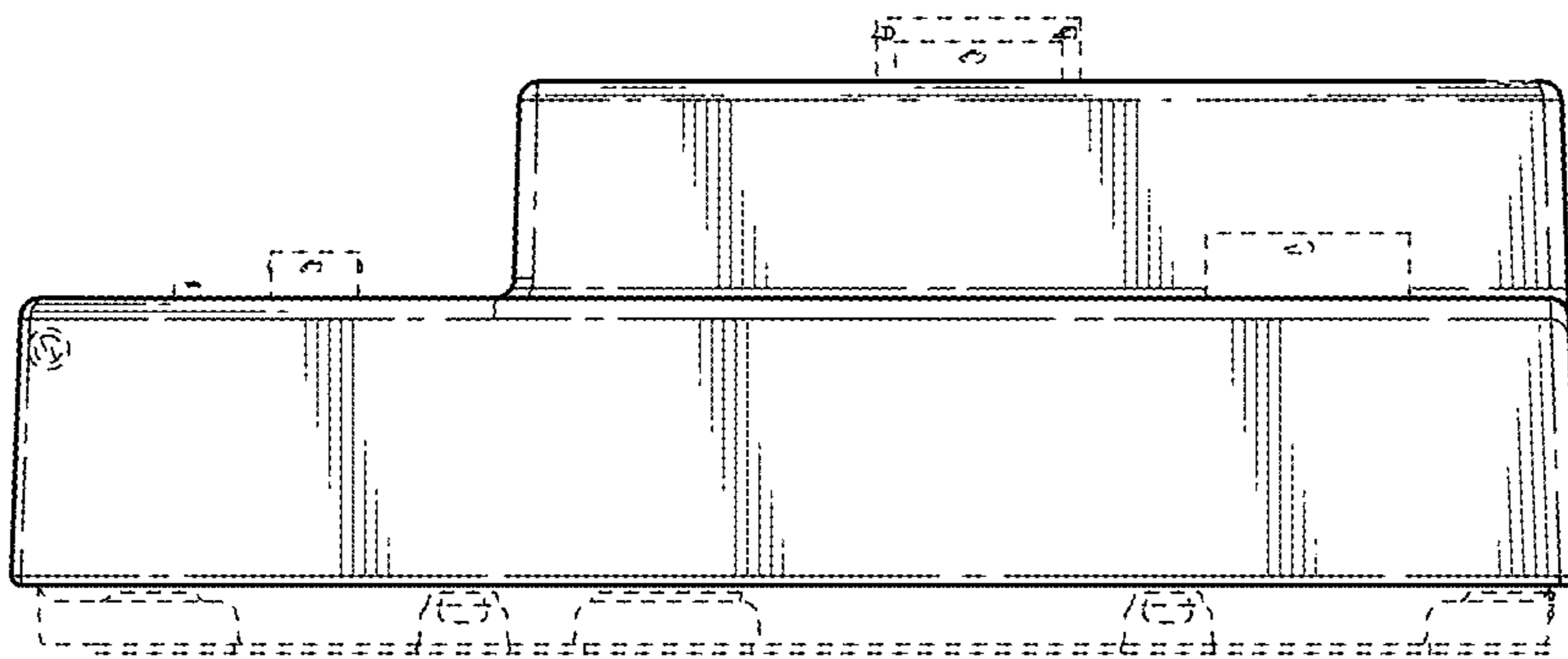


Fig. 5

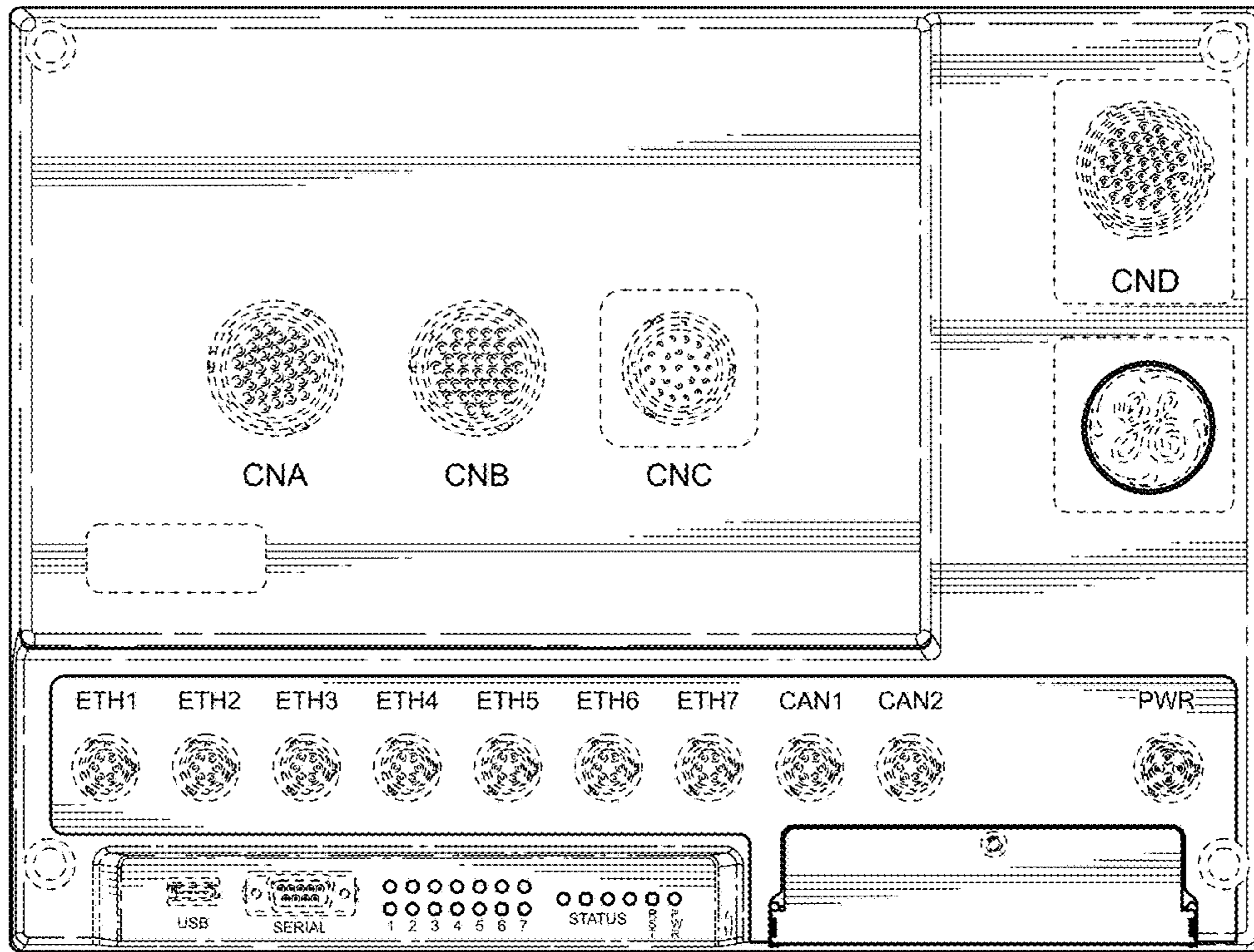


Fig. 6

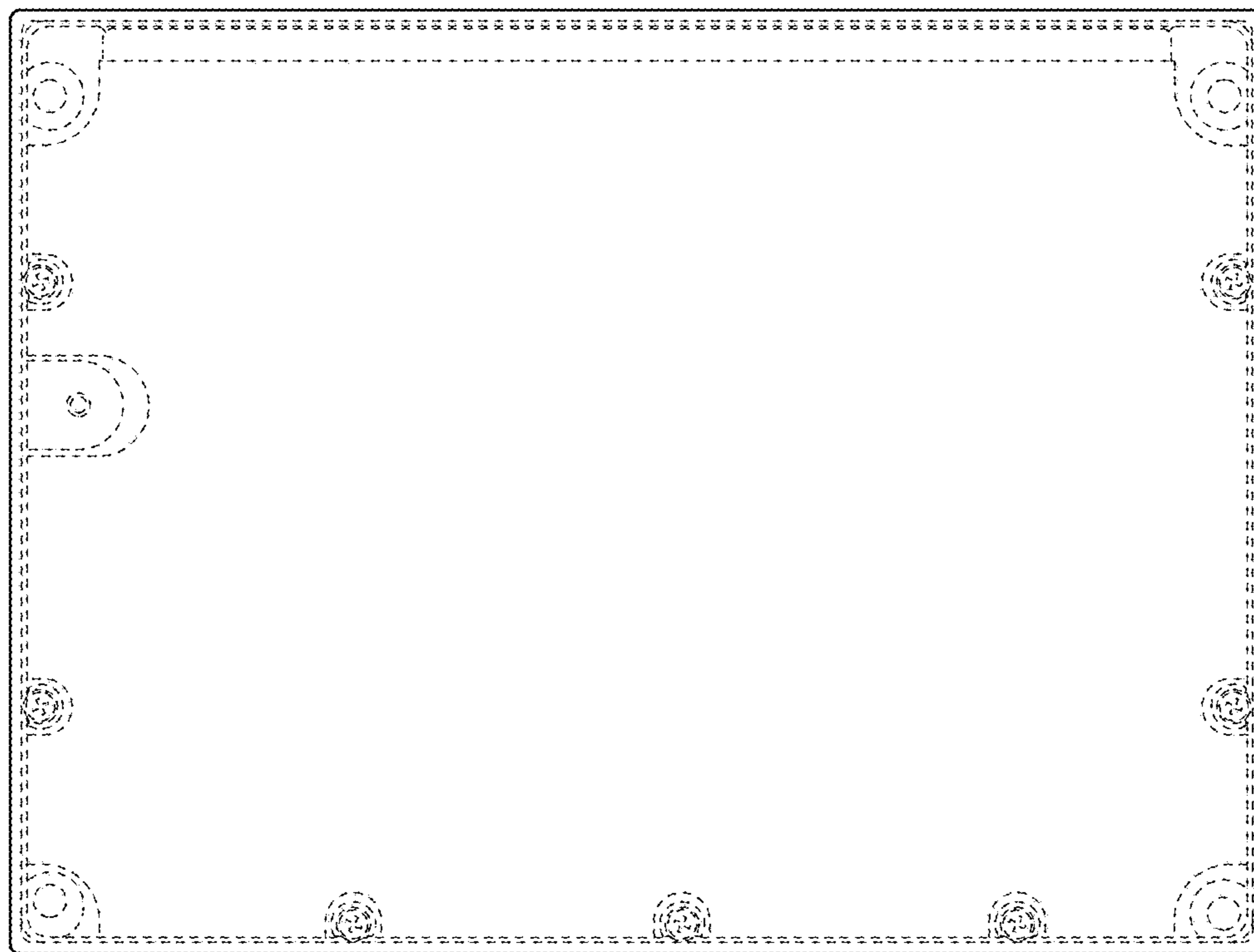


Fig. 7