



US00D804431S

(12) **United States Design Patent** (10) **Patent No.:** **US D804,431 S**  
**Abellera et al.** (45) **Date of Patent:** **\*\* Dec. 5, 2017**

(54) **USER INTERFACE FOR A TRIM CONTROL SYSTEM ON A MARINE VESSEL**

(71) Applicant: **Brunswick Corporation**, Lake Forest, IL (US)

(72) Inventors: **Ryan C. Abellera**, Fond du Lac, WI (US); **Todd D. Dannenberg**, Fond du Lac, WI (US); **Yana V. Foltice**, Campbellsport, WI (US)

(73) Assignee: **Brunswick Corporation**, Lake Forest, IL (US)

(\*\*) Term: **15 Years**

(21) Appl. No.: **29/569,195**

(22) Filed: **Jun. 24, 2016**

(51) **LOC (10) Cl.** ..... **13-03**

(52) **U.S. Cl.**  
USPC ..... **D13/162**

(58) **Field of Classification Search**  
USPC ..... D13/162, 164; D12/192, 317  
CPC ..... G05B 11/01; G05B 9/02; G05B 19/02;  
G05B 19/04; G05B 19/042; G05B 19/409; G05B 2219/23406; H05K 5/00;  
H05K 5/0017; H05K 5/02; H05K 5/0204;  
H05K 5/0247; H05K 5/06; B63H 20/08;  
B63H 20/10; B63H 21/21; B63H 21/213;  
B63B 39/06; B63B 39/061  
See application file for complete search history.

(56) **References Cited**

U.S. PATENT DOCUMENTS

D305,018 S \* 12/1989 Pena ..... D13/164  
5,168,447 A \* 12/1992 Moore ..... F02C 9/18  
701/99  
5,385,110 A \* 1/1995 Bennett ..... B63B 39/061  
114/285

6,085,684 A \* 7/2000 Cotton ..... B63B 39/061  
114/285  
D434,734 S \* 12/2000 Davis ..... D13/162  
6,264,513 B1 \* 7/2001 Marsh ..... B63B 39/061  
114/286  
7,104,212 B2 \* 9/2006 Brianza ..... B63H 21/21  
114/144 RE  
D557,645 S \* 12/2007 Akagawa ..... D12/192  
7,318,389 B2 \* 1/2008 Boning ..... B63B 39/061  
114/285  
7,452,254 B2 \* 11/2008 Watanabe ..... B63H 21/213  
440/84  
7,617,026 B2 \* 11/2009 Gee ..... B63B 39/06  
701/21  
D642,132 S \* 7/2011 Brennan, III ..... D13/162  
D768,580 S \* 10/2016 Thompson ..... D13/164  
D769,743 S \* 10/2016 Li ..... D10/50  
9,616,971 B2 \* 4/2017 Gai ..... B63B 39/061  
D793,346 S \* 8/2017 Folk ..... D13/162

\* cited by examiner

*Primary Examiner* — Selina Sikder

(74) *Attorney, Agent, or Firm* — Andrus Intellectual Property Law, LLP

(57) **CLAIM**

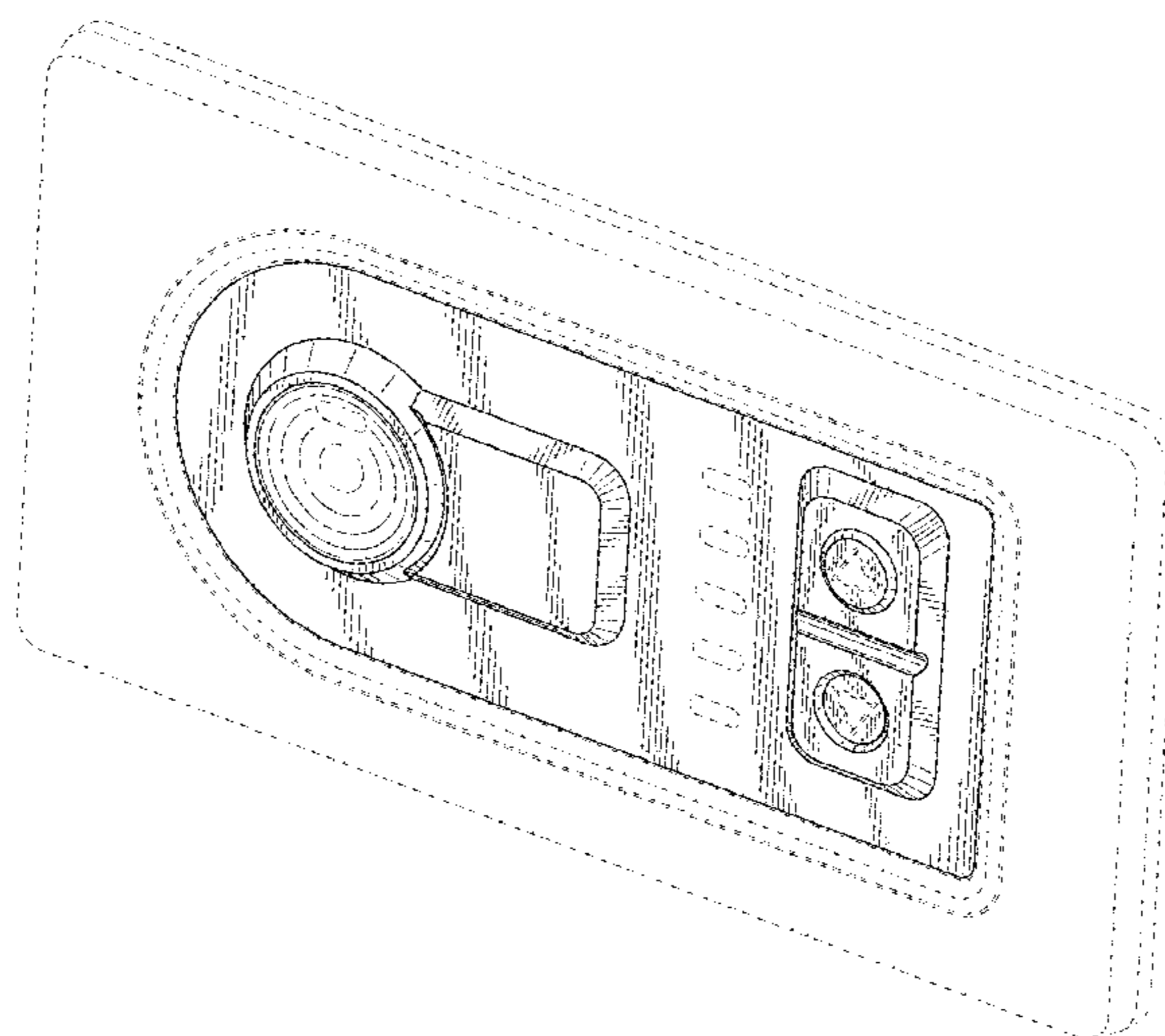
The ornamental design for a user interface for a trim control system on a marine vessel, as shown and described.

**DESCRIPTION**

FIG. 1 is a perspective view of a first example of a user interface for a trim control system on a marine vessel; FIG. 2 is a front view thereof; FIG. 3 is a rear view thereof; FIG. 4 is a top view thereof; FIG. 5 is a bottom view thereof; FIG. 6 is a right side view thereof; and, FIG. 7 is a left side view thereof.

The broken lines represent portions of the user interface that are shown for purposes of illustrating environment and form no part of the claimed design.

**1 Claim, 5 Drawing Sheets**



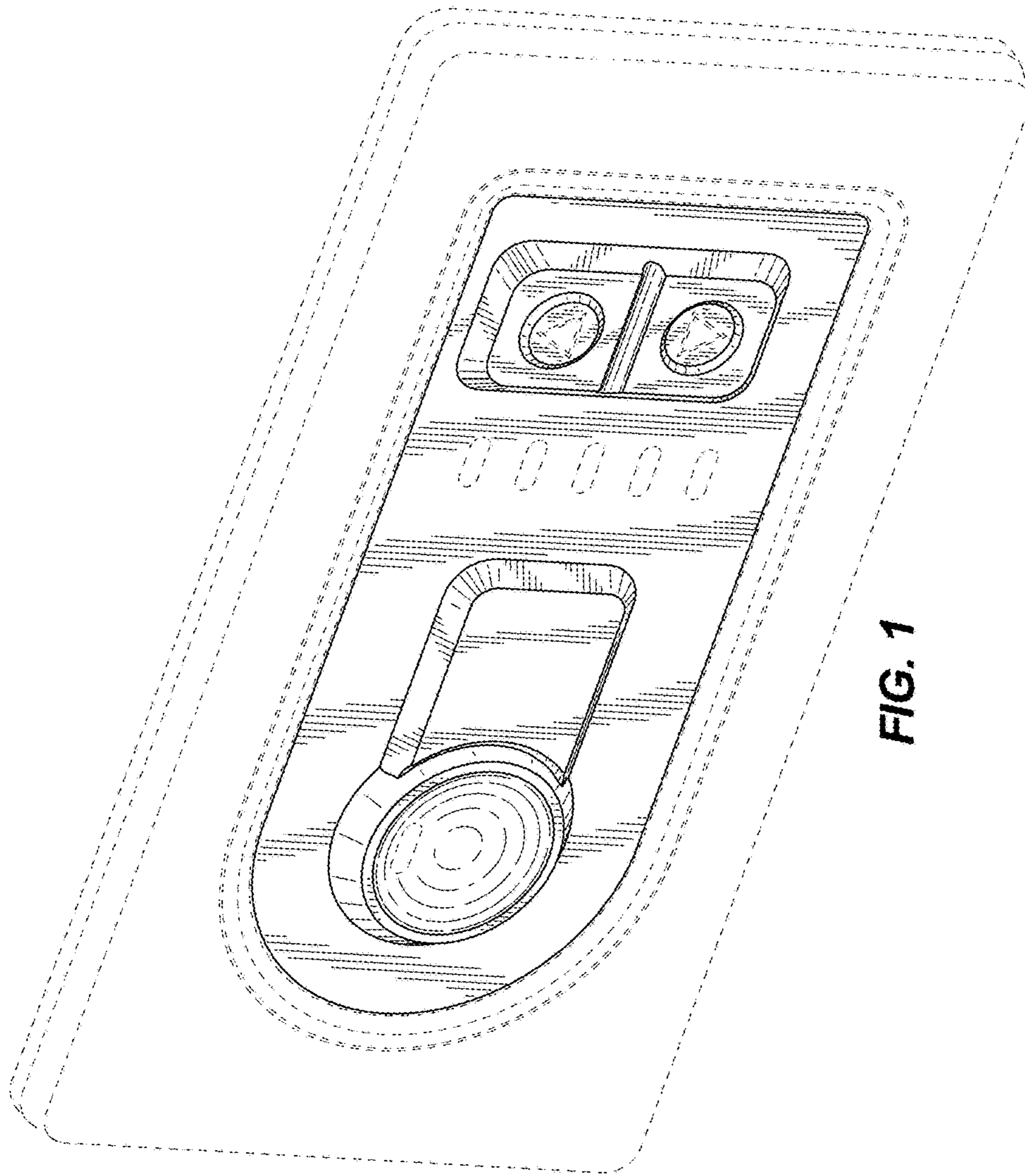
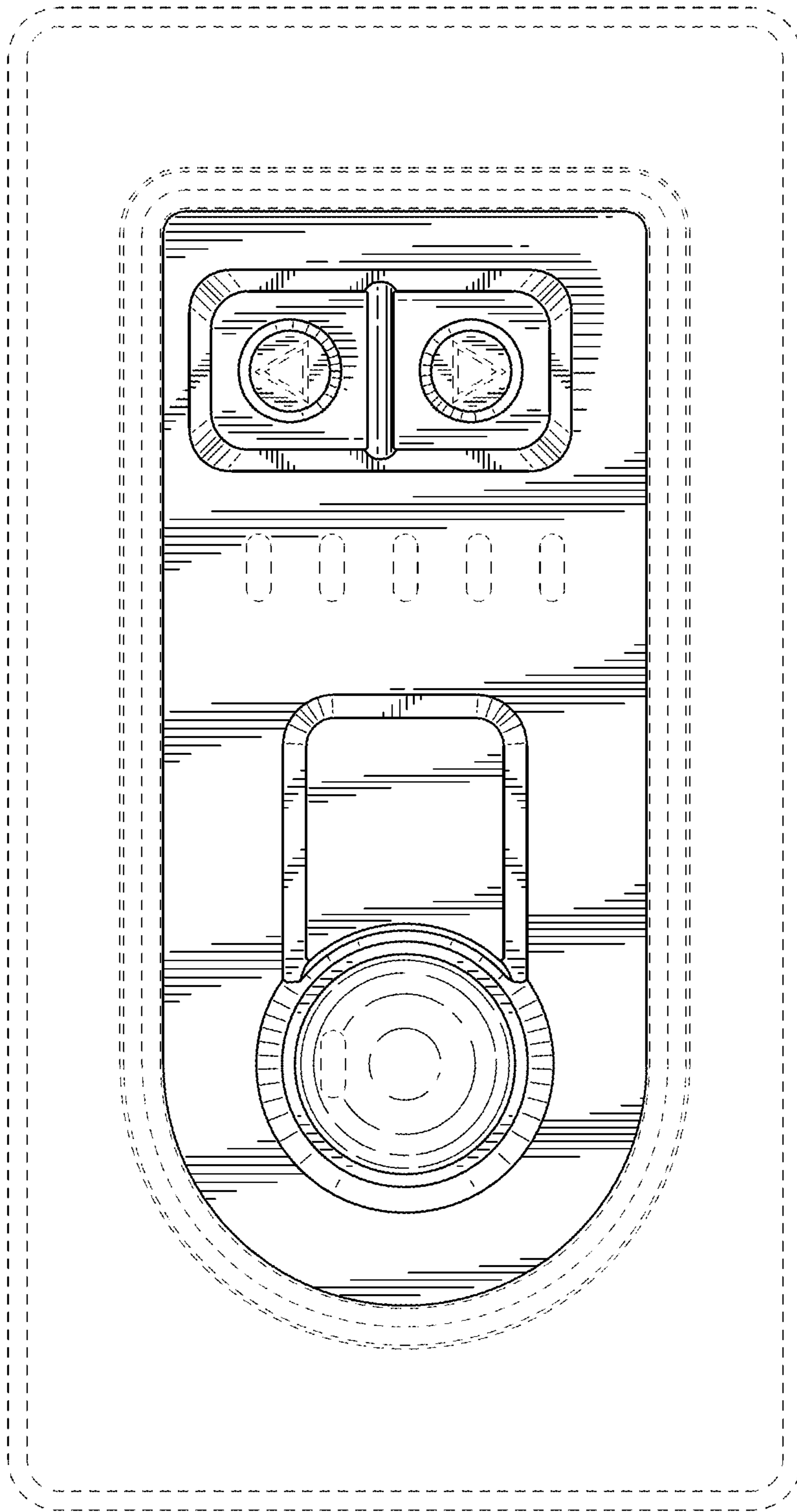
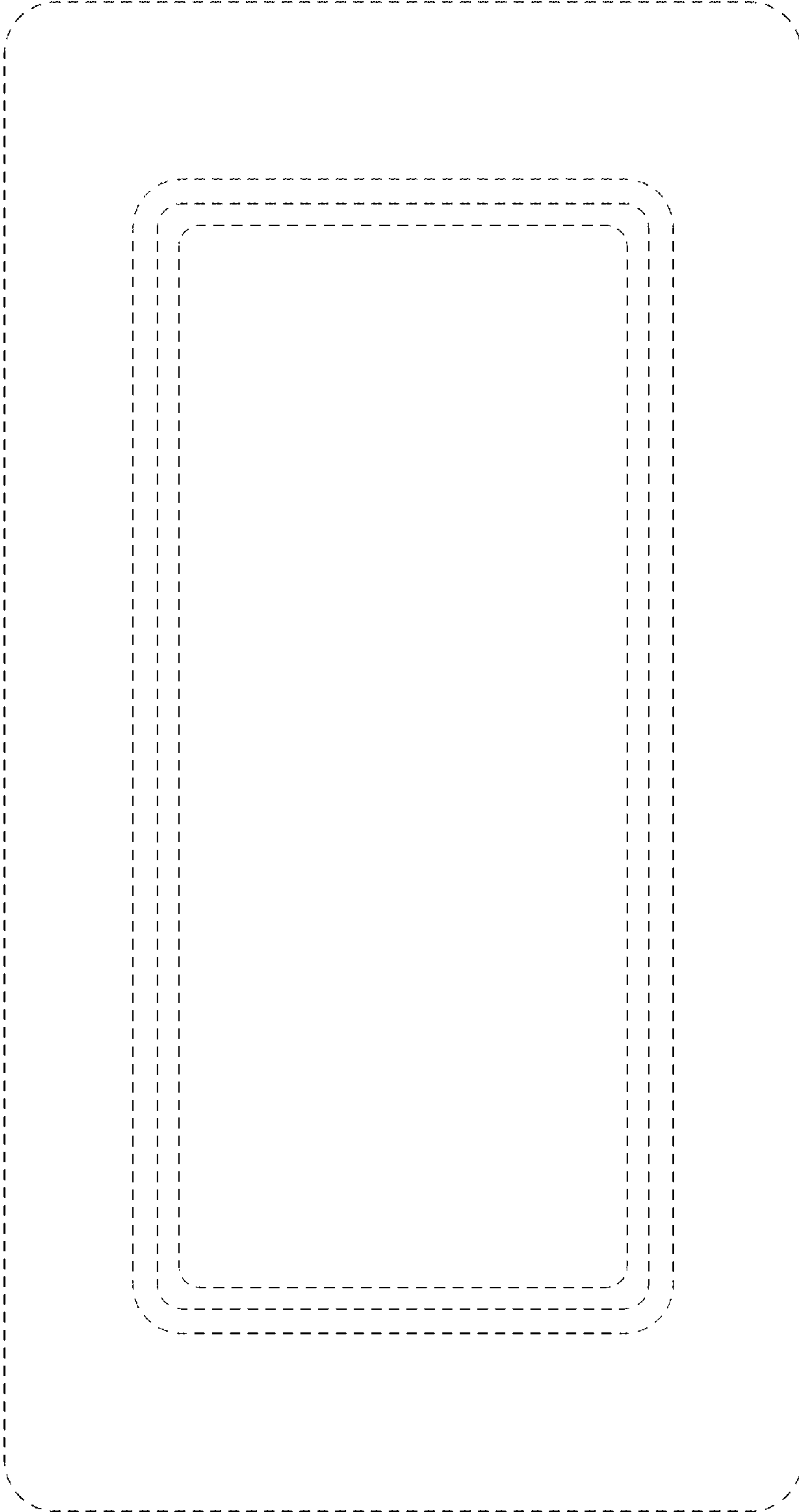


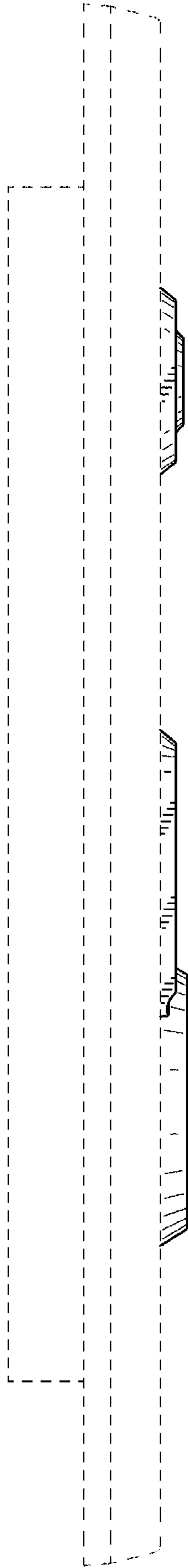
FIG. 1



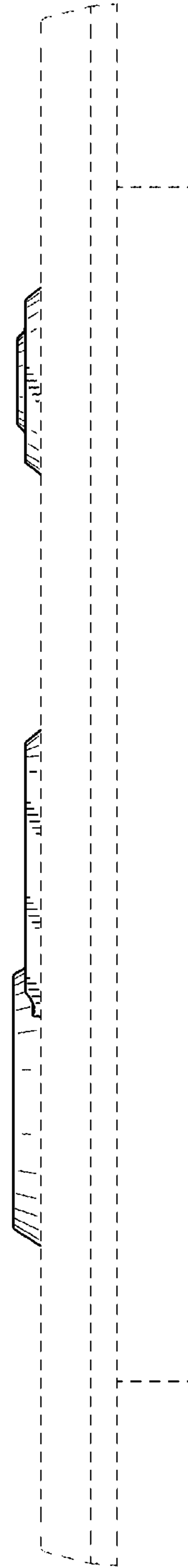
**FIG. 2**



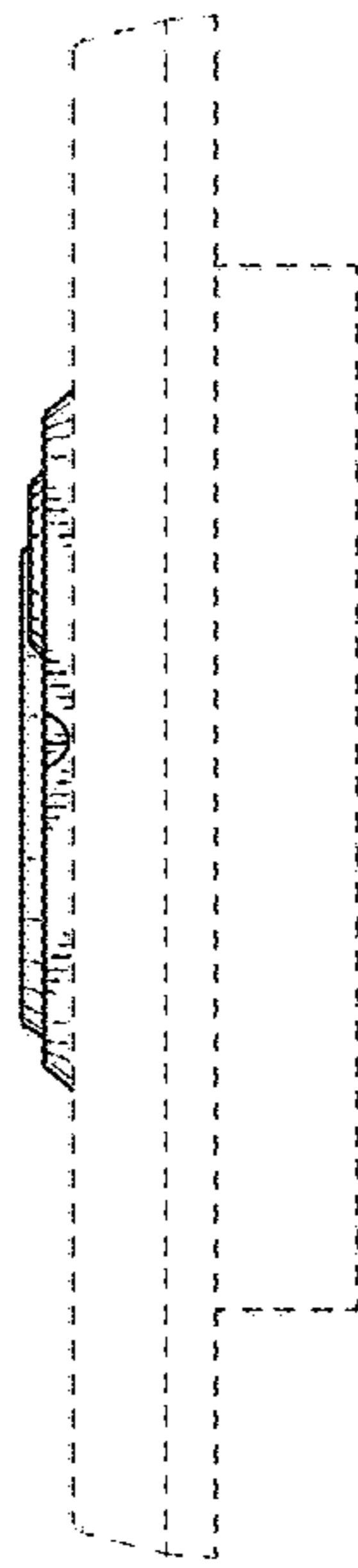
**FIG. 3**



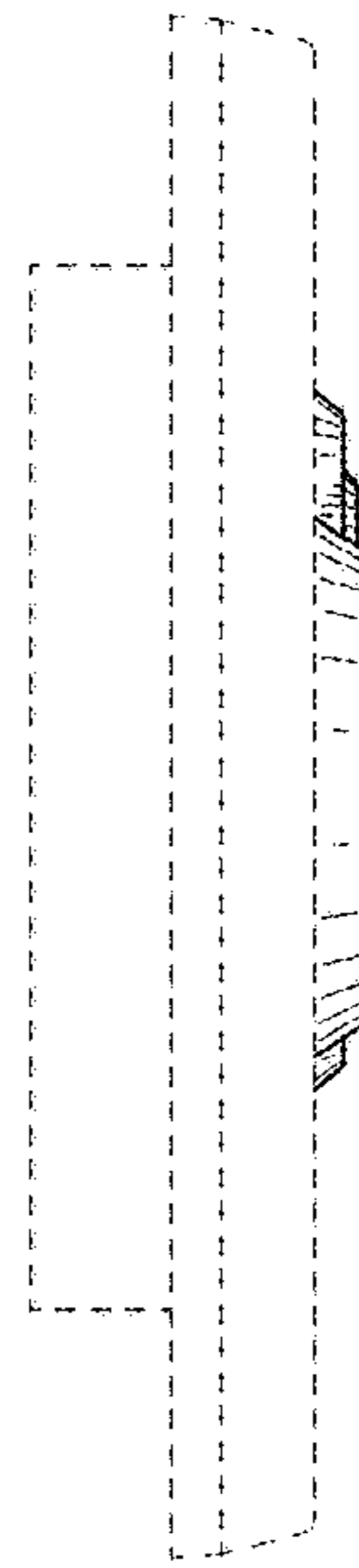
**FIG. 4**



**FIG. 5**



**FIG. 6**



**FIG. 7**