



US00D804430S

(12) **United States Design Patent** (10) **Patent No.:** **US D804,430 S**
Besana et al. (45) **Date of Patent:** **** Dec. 5, 2017**

(54) **CIRCUIT BREAKERS**

- (71) Applicant: **ABB S.p. A.**, Milan (IT)
- (72) Inventors: **Stefano Besana**, Terno d'Isola (IT);
Lucio Azzola, Bergamo (IT)
- (73) Assignee: **ABB S.p.A.**, Milan (IT)
- (**) Term: **15 Years**
- (21) Appl. No.: **29/561,373**
- (22) Filed: **Apr. 15, 2016**

Related U.S. Application Data

- (62) Division of application No. 29/489,919, filed on May 5, 2014, now Pat. No. Des. 757,659, which is a division of application No. 29/459,135, filed on Jun. 26, 2013, now Pat. No. Des. 707,636, which is a division of application No. 29/383,747, filed on Jan. (Continued)

(30) **Foreign Application Priority Data**

Feb. 6, 2009 (EM) 001083992

(51) **LOC (10) Cl.** **13-03**

(52) **U.S. Cl.**
USPC **D13/160**

(58) **Field of Classification Search**
USPC D13/110, 112, 123, 133, 158-162, 173, D13/184, 199
CPC .. H01H 3/22; H01H 9/02; H01H 9/54; H01H 11/00; H01H 21/04; H01H 27/10; H01H 33/38; H01H 71/00; H01H 71/02; H01H 71/04; H01H 71/08; H01H 71/12; H01H 71/24; H01F 17/04; H01R 25/00; H01R 4/36

See application file for complete search history.

(56) **References Cited**

U.S. PATENT DOCUMENTS

- 4,728,757 A 3/1988 Buxton et al.
- 4,890,184 A 12/1989 Russell

(Continued)

FOREIGN PATENT DOCUMENTS

WO WO-DM/055273 4/2001

OTHER PUBLICATIONS

ABB SACE L.V. SACE Emax. A System that's open to any solution, 604060/011 en, Jul. 1999.

(Continued)

Primary Examiner — Thomas Johannes

Assistant Examiner — Shawn T Gingrich

(74) *Attorney, Agent, or Firm* — Polsinelli PC

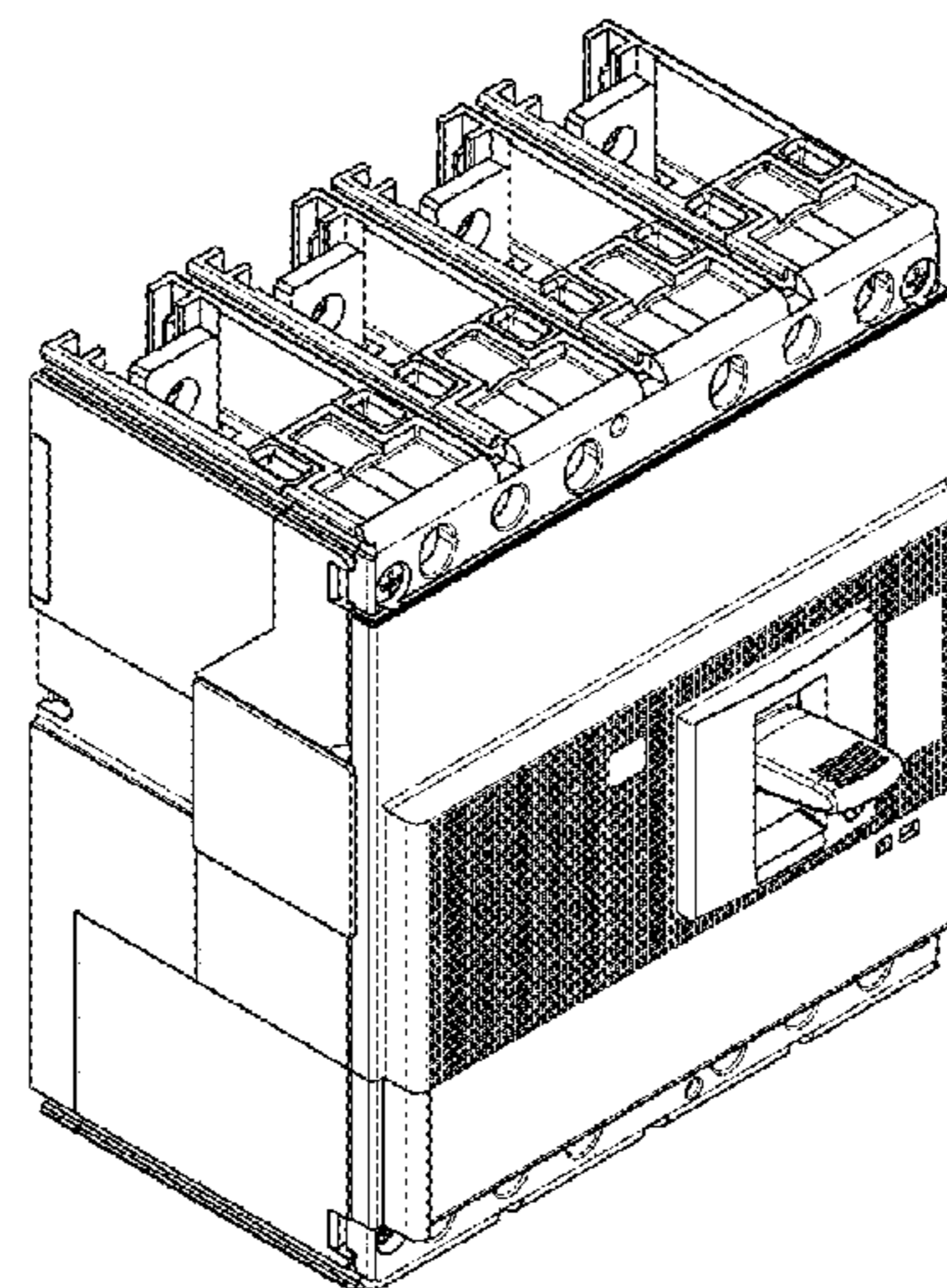
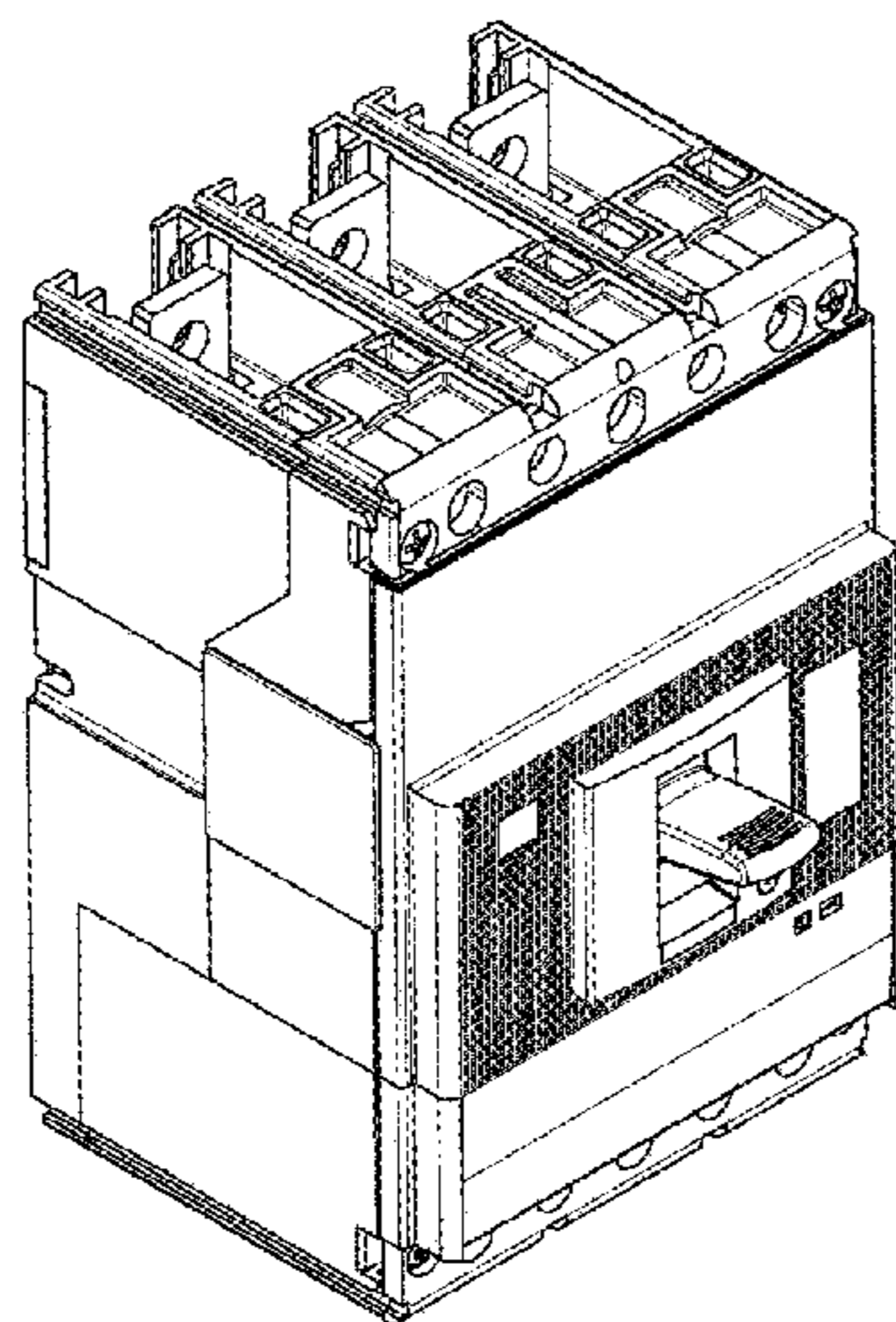
(57) **CLAIM**

The ornamental design for circuit breakers, as shown and described.

DESCRIPTION

FIG. 1 is a perspective view of a first embodiment of the new design;
 FIG. 2 is a front view thereof;
 FIG. 3 is a rear view thereof;
 FIG. 4 is a top view thereof;
 FIG. 5 is a bottom view thereof;
 FIG. 6 is a left view thereof;
 FIG. 7 is a right view thereof;
 FIG. 8 is a perspective view of a second embodiment of the new design;
 FIG. 9 is a front view thereof;
 FIG. 10 is a rear view thereof;
 FIG. 11 is a top view thereof;
 FIG. 12 is a bottom view thereof;
 FIG. 13 is a left view thereof; and,
 FIG. 14 is a right view thereof.
 Broken lines in the drawings form no part of the design to be patented.

1 Claim, 14 Drawing Sheets



Related U.S. Application Data

21, 2011, now Pat. No. Des. 687,387, which is a division of application No. 29/341,449, filed on Aug. 5, 2009, now Pat. No. Des. 633,446.

(56)

References Cited

U.S. PATENT DOCUMENTS

D310,822 S 9/1990 Danek
 D315,333 S 3/1991 Barbier et al.
 D318,460 S 7/1991 Heath et al.
 D318,461 S 7/1991 Hasegawa et al.
 D319,627 S 9/1991 Smith et al.
 D320,386 S 10/1991 Saunders et al.
 5,060,107 A * 10/1991 Castonguay H01H 9/287
 200/321
 D325,727 S 4/1992 Murata et al.
 5,150,091 A * 9/1992 Hart H01H 9/0264
 200/293
 D334,174 S 3/1993 Hosogai et al.
 5,204,798 A 4/1993 Scott
 5,296,664 A 3/1994 Crookston et al.
 5,302,786 A 4/1994 Rosen et al.
 5,362,933 A 11/1994 Kutsche et al.
 D359,948 S 7/1995 Merlin
 D367,265 S 2/1996 Yamagata et al.
 5,587,570 A 12/1996 Kelaita, Jr. et al.
 5,610,375 A 3/1997 Sinthomez
 D378,914 S 4/1997 Smith et al.
 5,717,178 A 2/1998 Turner et al.
 D402,267 S 12/1998 M'Sadoques
 5,902,973 A 5/1999 Ramey et al.
 6,008,459 A 12/1999 Faber et al.
 6,078,017 A 6/2000 Blessitt et al.
 6,177,641 B1 1/2001 Morel et al.
 D442,146 S 5/2001 Greenberg et al.
 6,361,848 B1 3/2002 Katsube et al.
 6,388,867 B1 5/2002 Rakus et al.
 6,445,559 B1 9/2002 Phillips et al.
 6,489,577 B2 12/2002 Kurata
 6,512,433 B1 1/2003 Bouchard et al.
 6,590,482 B2 7/2003 Castonguay et al.
 D498,212 S 11/2004 Kim
 D498,464 S 11/2004 Kim
 D499,700 S 12/2004 Raabe et al.
 D499,701 S 12/2004 Kim
 D506,185 S 6/2005 Kim
 D511,502 S 11/2005 Kim
 7,064,283 B2 6/2006 Deylitz et al.
 D535,626 S 1/2007 Azzola et al.

D547,729 S 7/2007 Azzola et al.
 D547,730 S 7/2007 Azzola et al.
 D551,629 S 9/2007 Azzola et al.
 D562,777 S 2/2008 Azzola et al.
 D576,111 S 9/2008 Azzola et al.
 D585,839 S 2/2009 Azzola et al.
 D587,658 S 3/2009 Azzola et al.
 D593,506 S 6/2009 Azzola et al.
 D599,301 S 9/2009 Azzola et al.
 D611,002 S 3/2010 Azzola et al.
 D616,832 S 6/2010 Corteel
 D633,446 S * 3/2011 Besana D13/160
 D641,710 S 7/2011 Azzola et al.
 D660,805 S 5/2012 Azzola et al.
 D687,387 S 8/2013 Besana et al.
 D703,621 S * 4/2014 Azzola D13/160
 D707,636 S 6/2014 Besana et al.
 D735,143 S 7/2015 Huhne et al.
 D757,659 S * 5/2016 Besana D13/160
 9,343,245 B2 * 5/2016 Oh H01H 3/22
 D761,737 S * 7/2016 Huhne D13/158
 D761,738 S * 7/2016 Huhne D13/158
 D761,739 S * 7/2016 Huhne D13/158
 2001/0022713 A1 9/2001 Gimenez et al.
 2001/0025773 A1 10/2001 Rane et al.
 2004/0045796 A1 3/2004 Azzola et al.
 2005/0109597 A1 5/2005 Etscheidt et al.
 2005/0219021 A1 10/2005 Fleege et al.
 2006/0071750 A1 4/2006 Marks et al.
 2006/0118397 A1 6/2006 Dahl et al.
 2008/0246566 A1 10/2008 Oh
 2009/0002106 A1 * 1/2009 Harmon H01H 9/342
 335/202
 2009/0239399 A1 9/2009 Azzola et al.
 2012/0024680 A1 * 2/2012 Grunwald H01H 71/08
 200/293
 2013/0203302 A1 * 8/2013 Grunwald H01R 4/36
 439/814
 2013/0220784 A1 8/2013 Castaneda Arriaga et al.
 2013/0284702 A1 10/2013 Hamada et al.
 2014/0151201 A1 6/2014 Sisley et al.
 2015/0109091 A1 4/2015 Oh
 2015/0129400 A1 5/2015 Oh
 2015/0262778 A1 9/2015 Sohn
 2016/0260569 A1 * 9/2016 Mishra H01F 7/02

OTHER PUBLICATIONS

Terasaki Electric, Revolutino in circuit breaker technology, 35 pp. (date unknown).

* cited by examiner

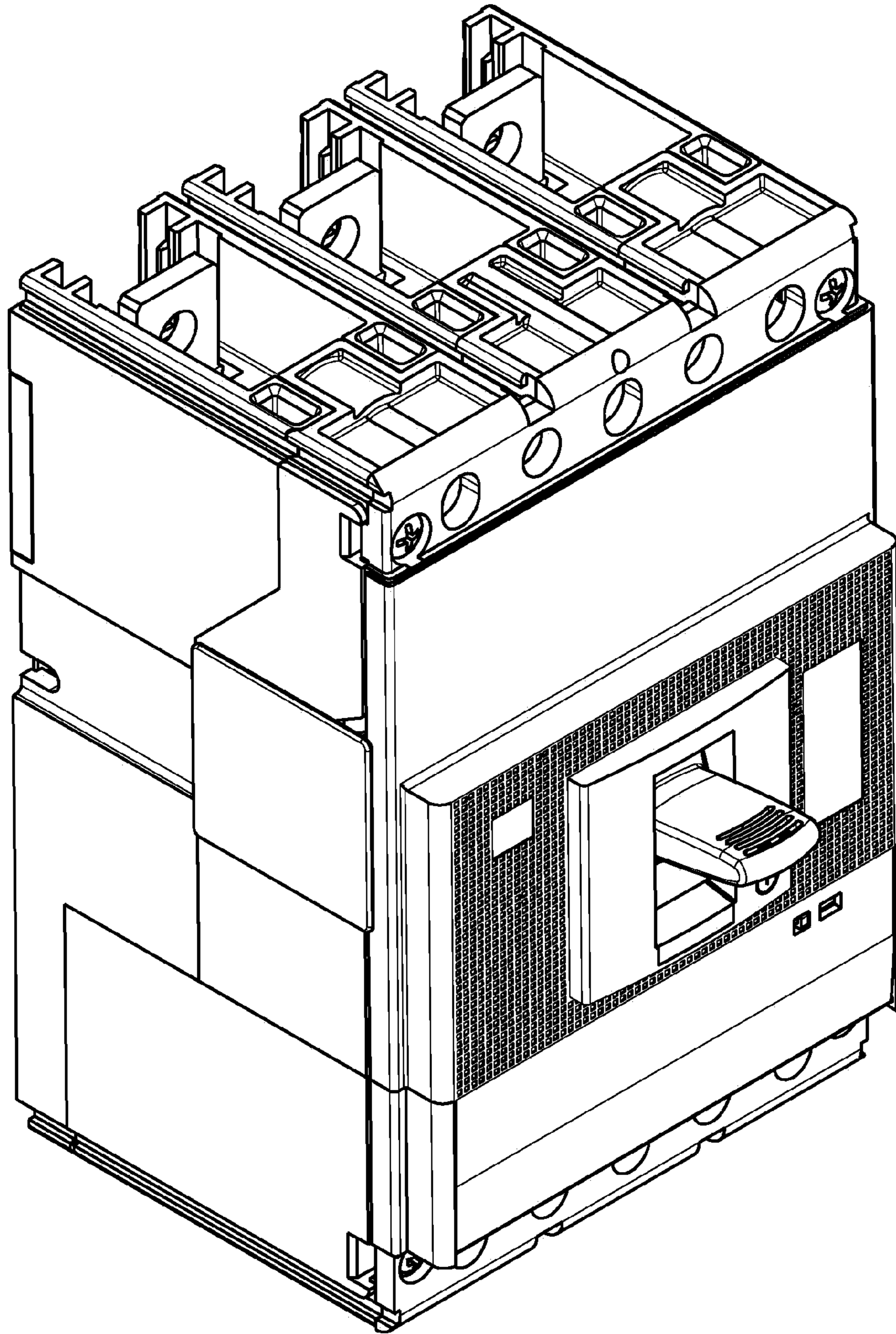


Fig. 1

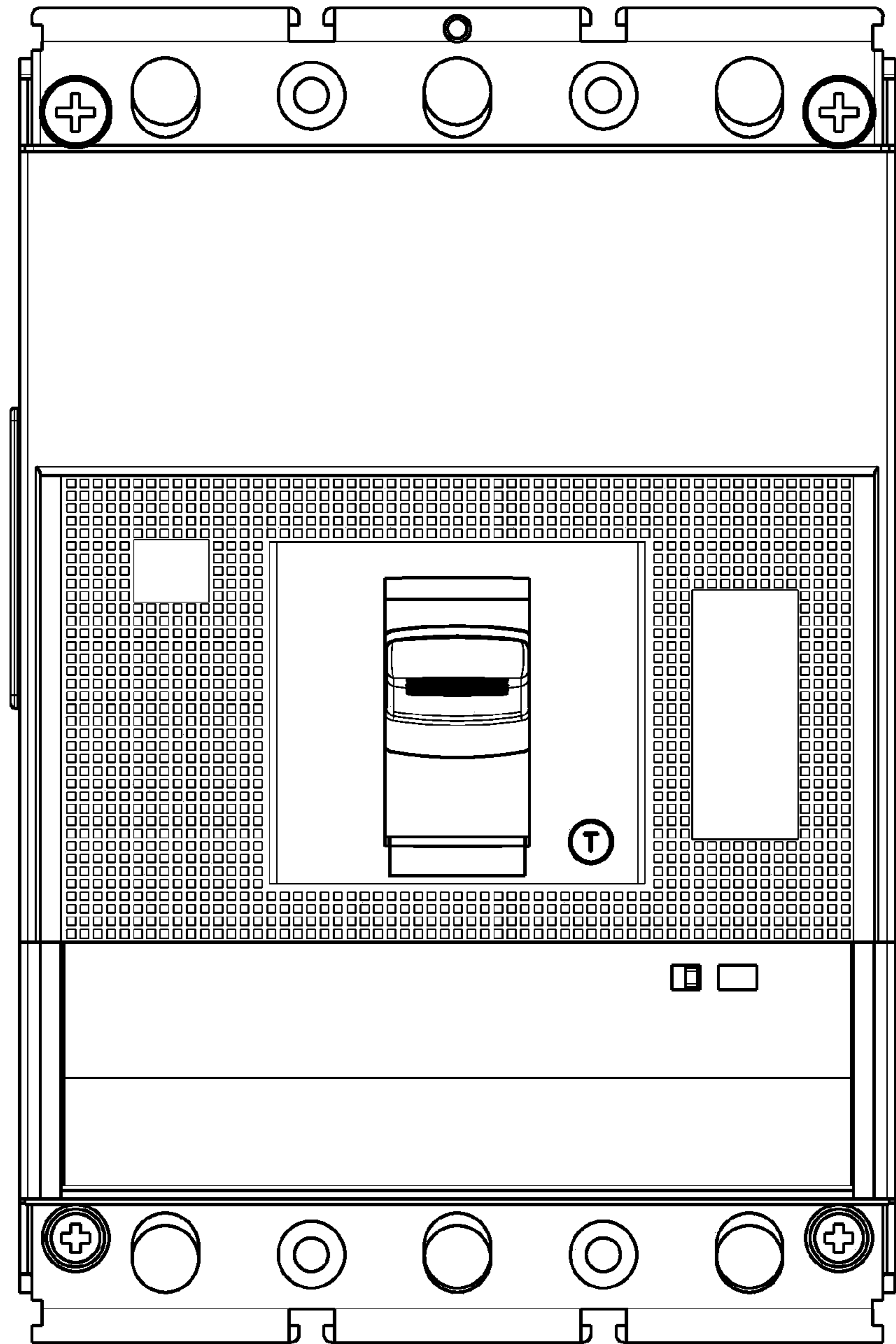


Fig. 2

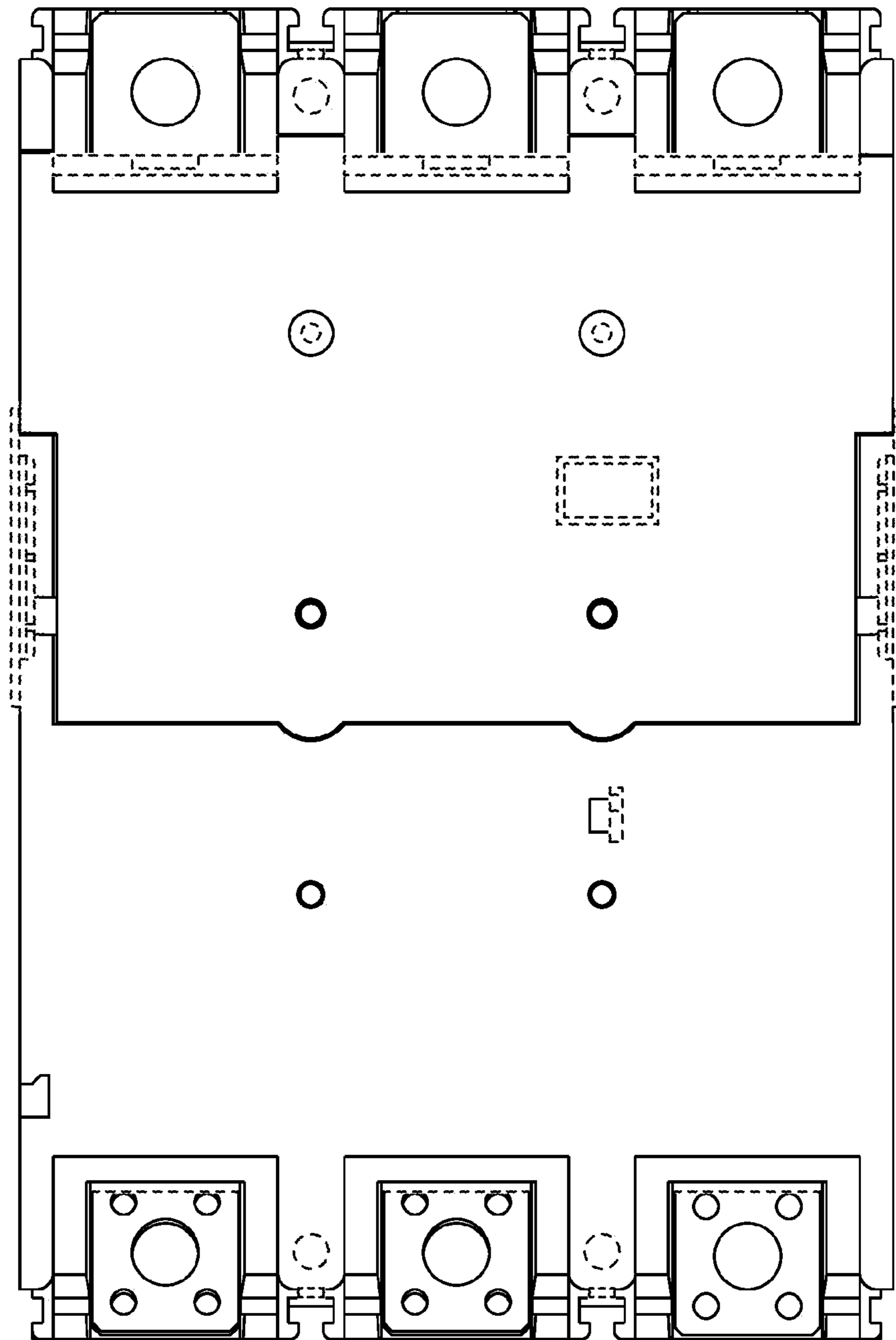


Fig. 3

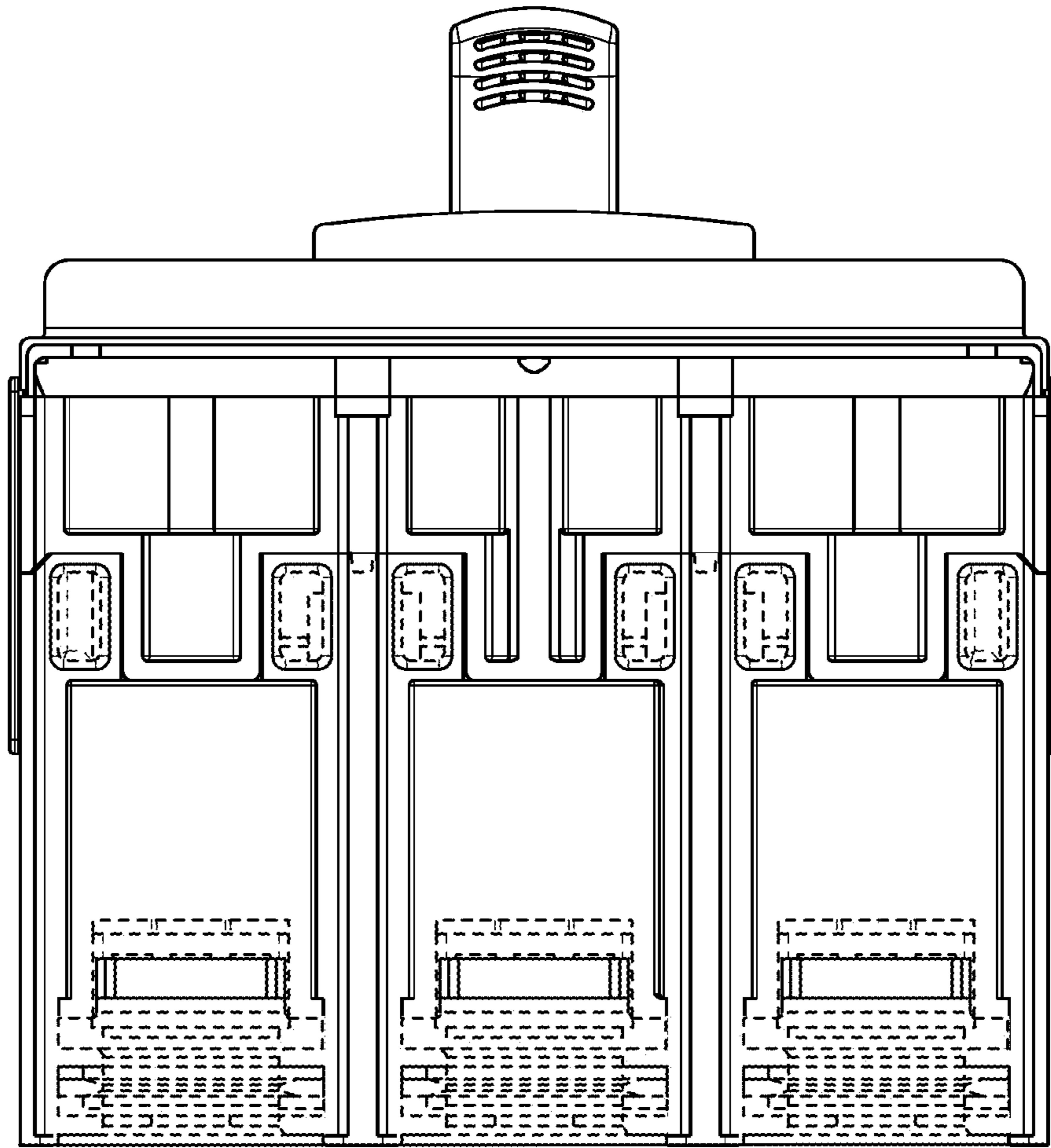


Fig. 4

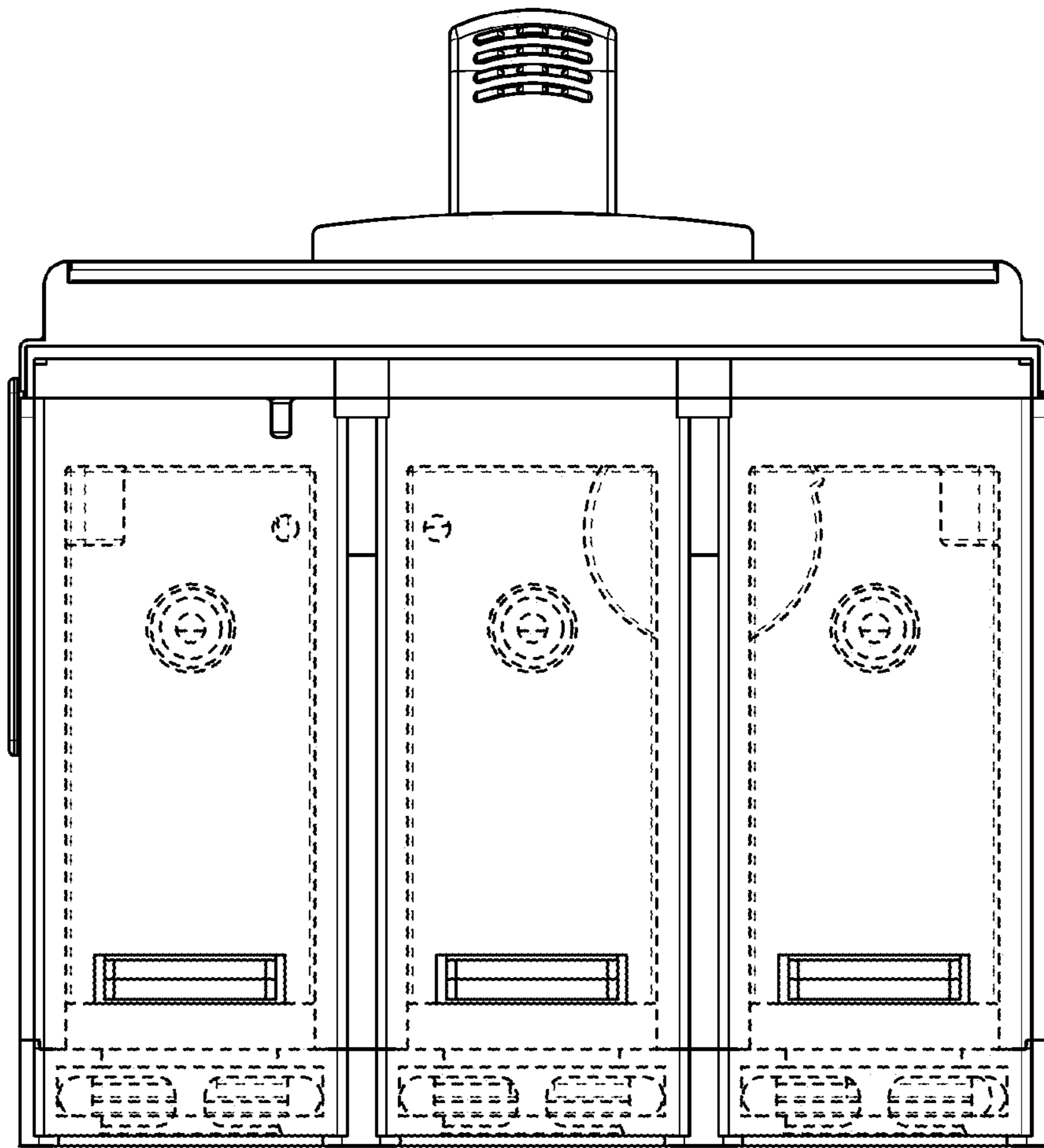


Fig. 5

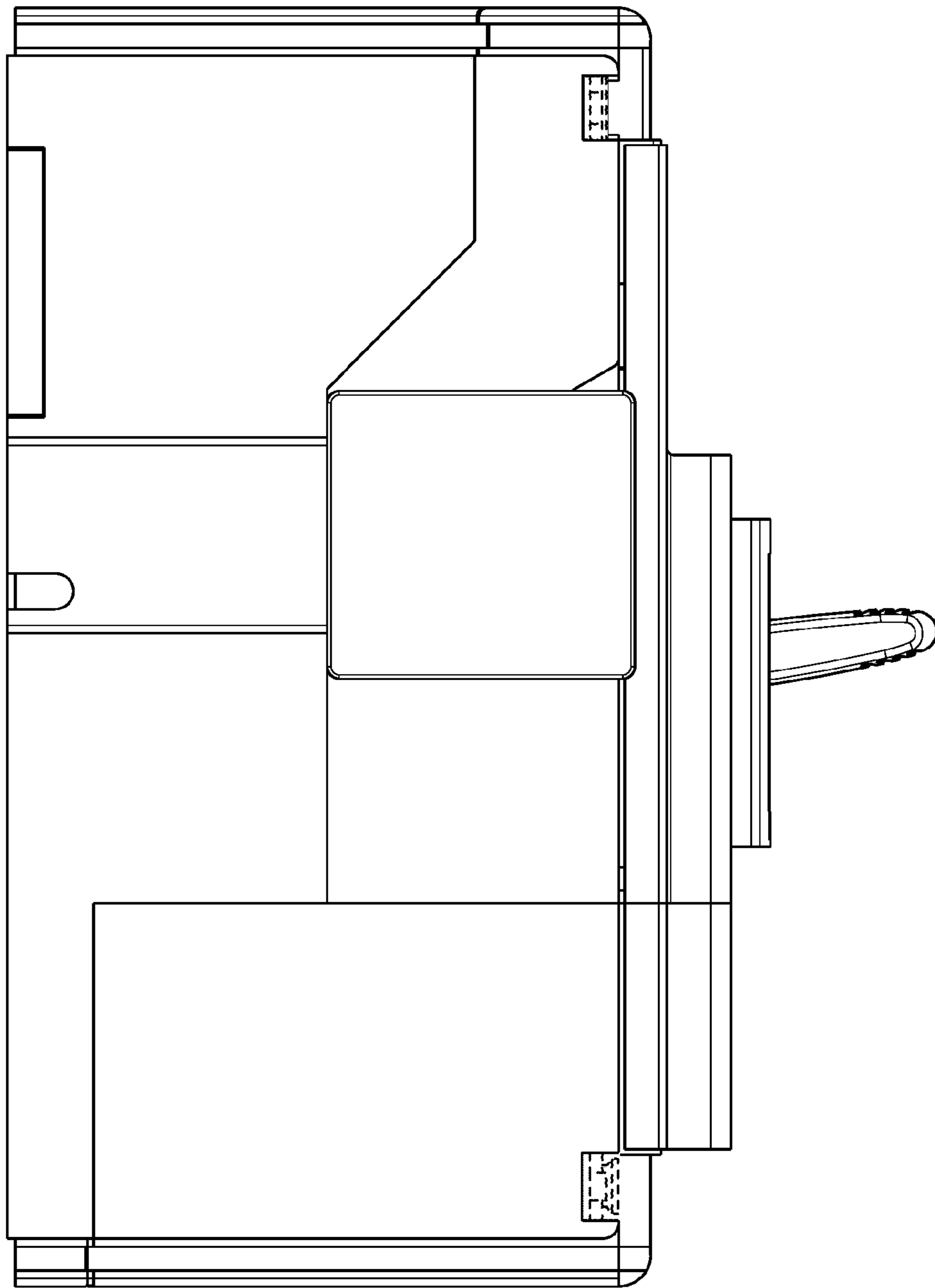


Fig. 6

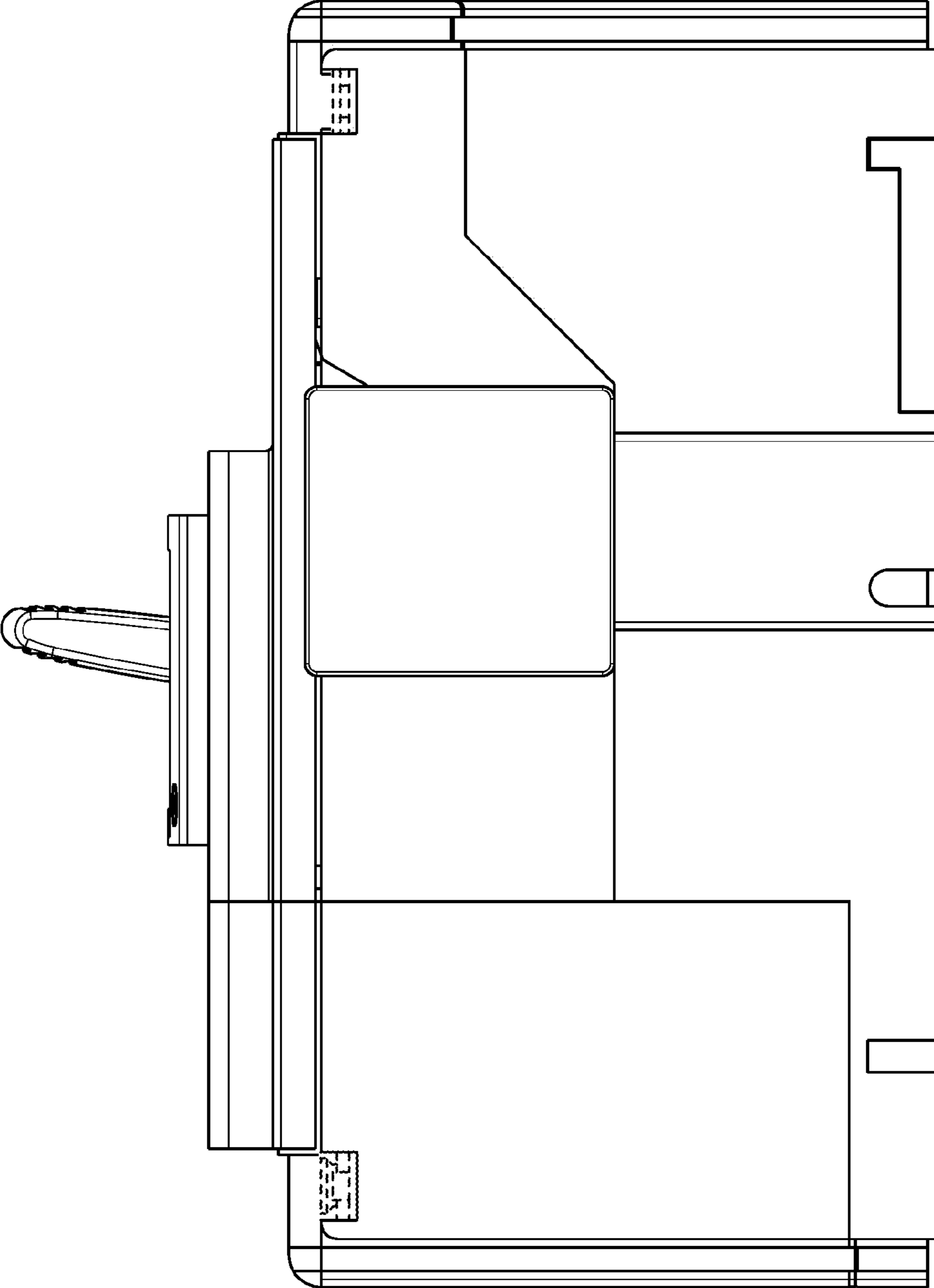


Fig. 7

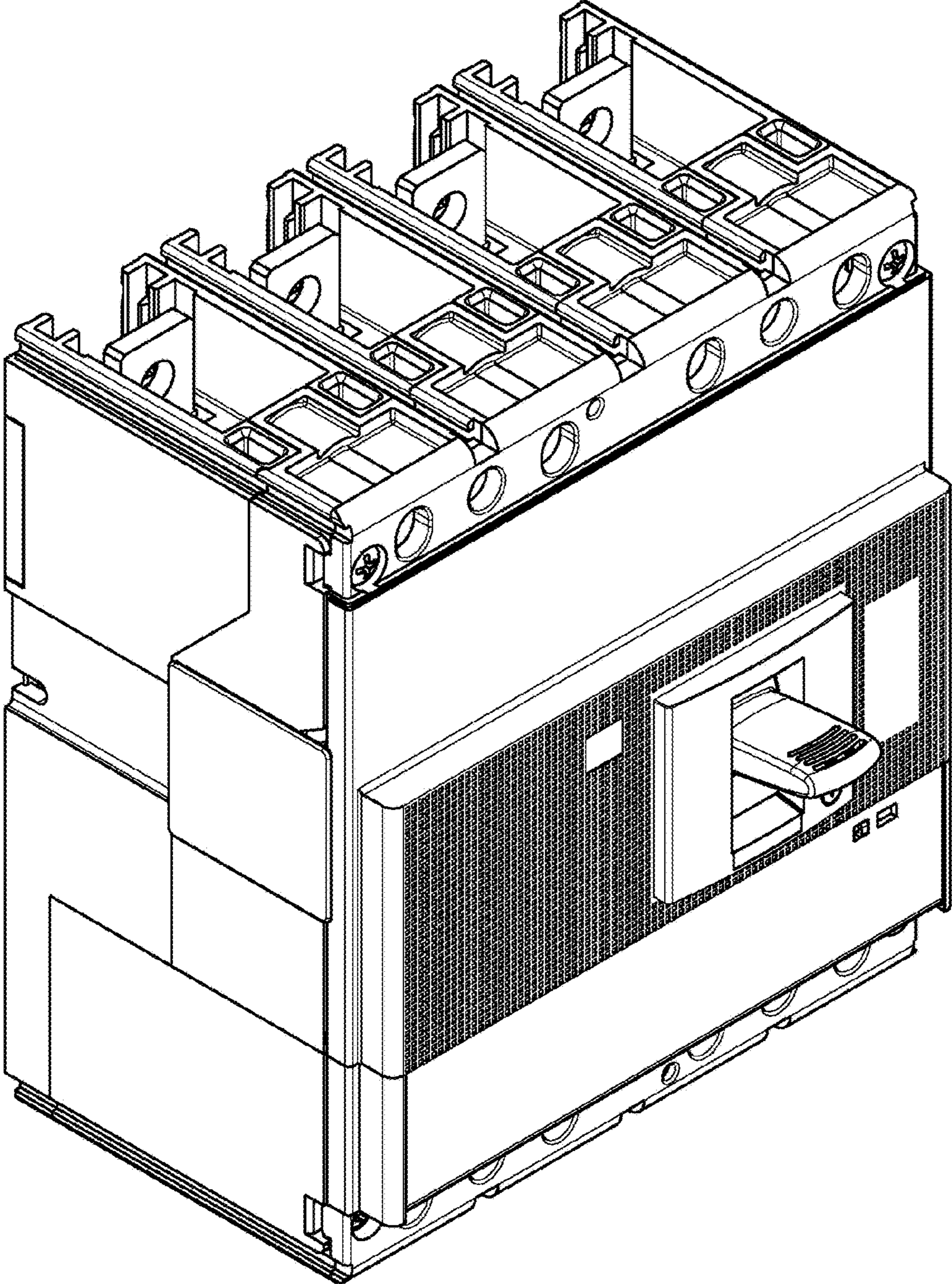


Fig. 8

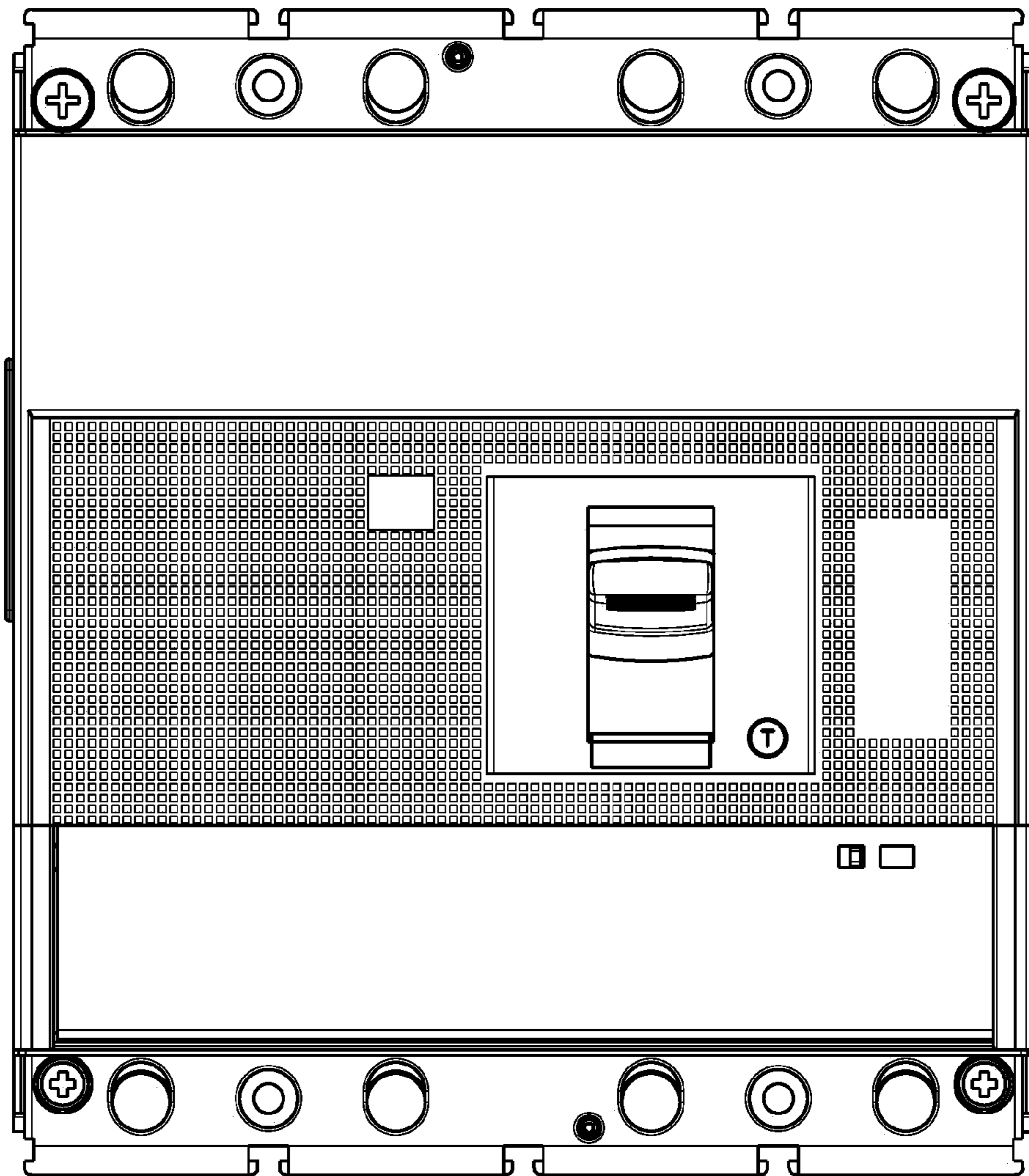


Fig. 9

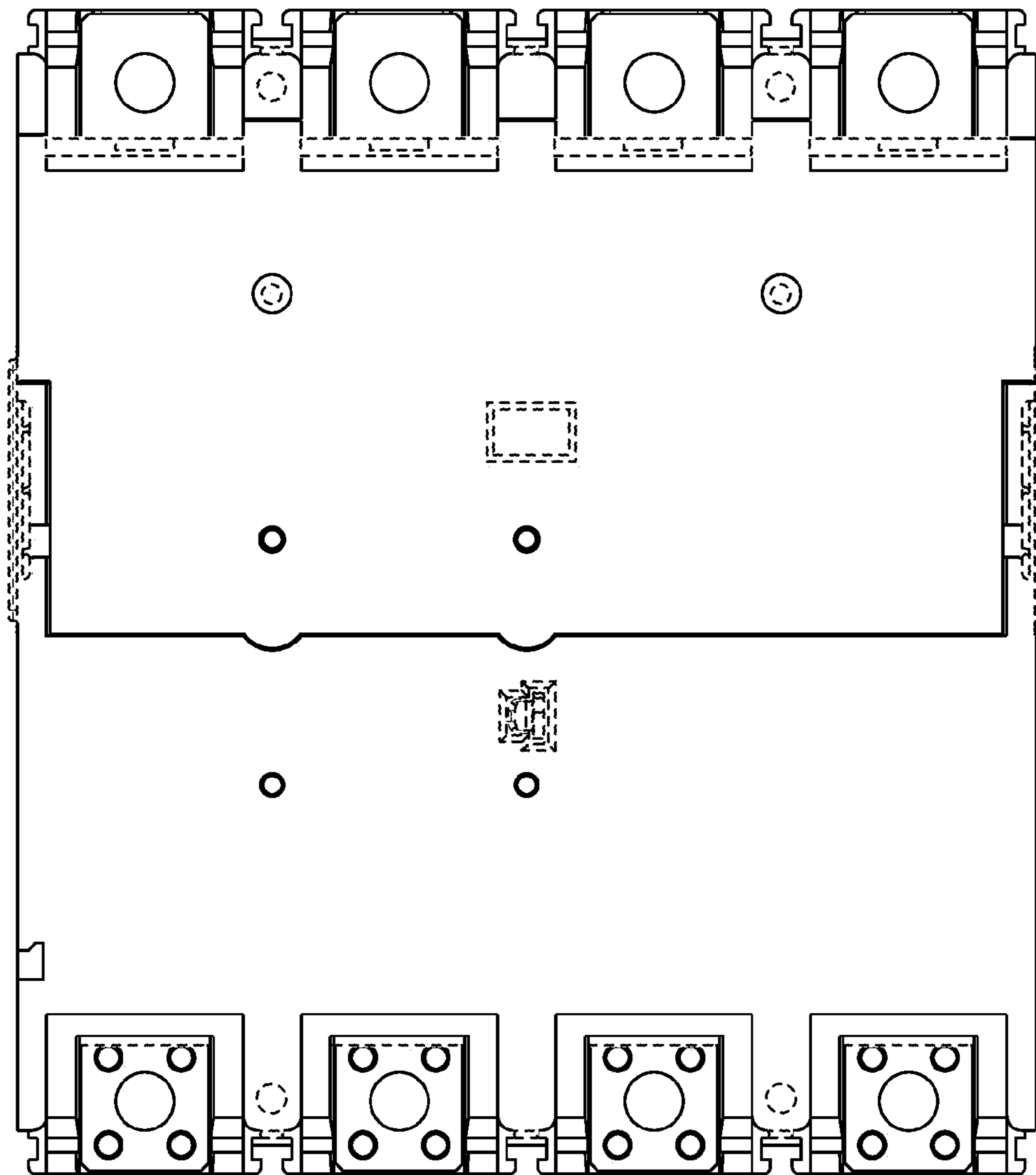


Fig. 10

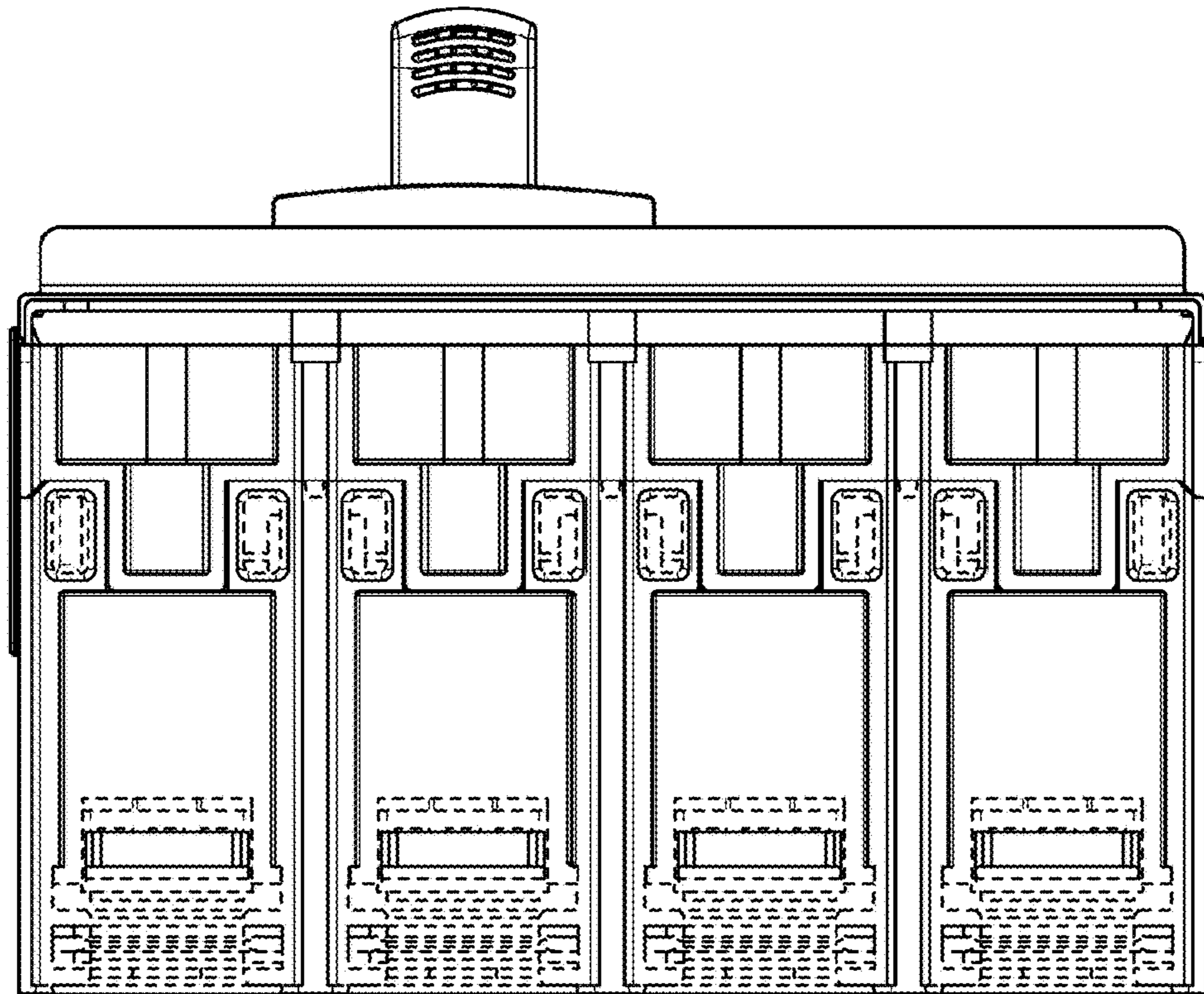


Fig. 11

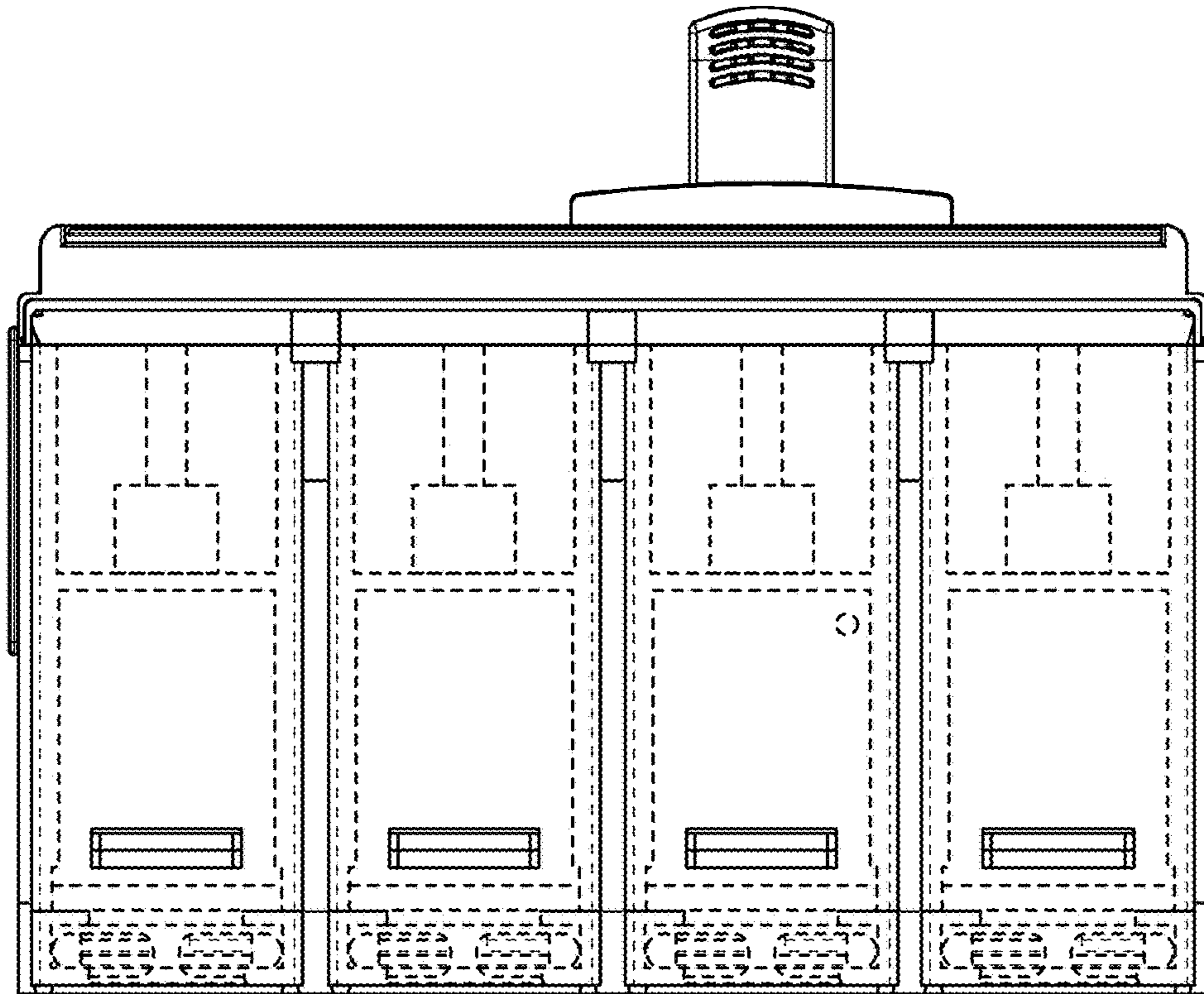


Fig. 12

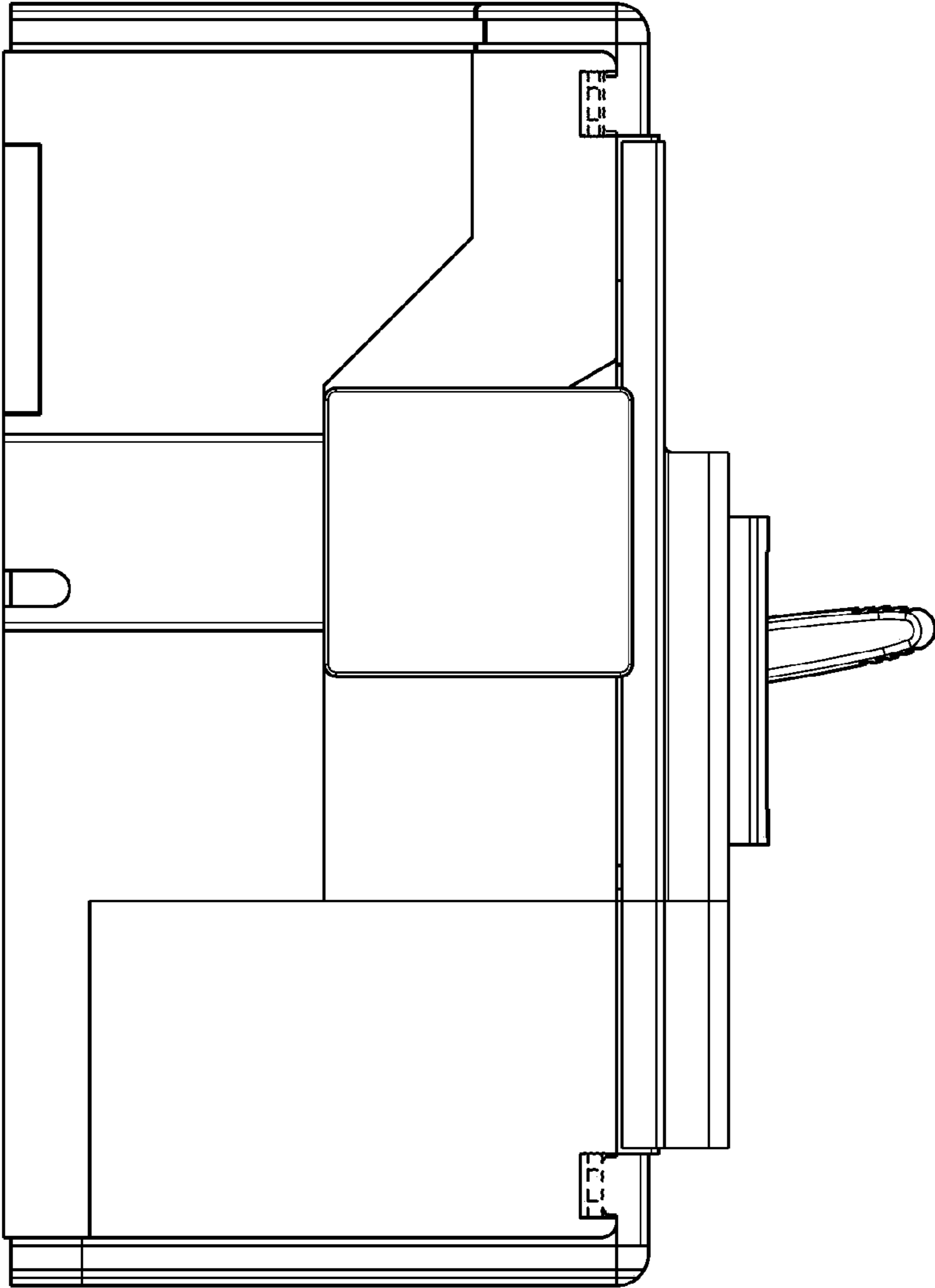


Fig. 13

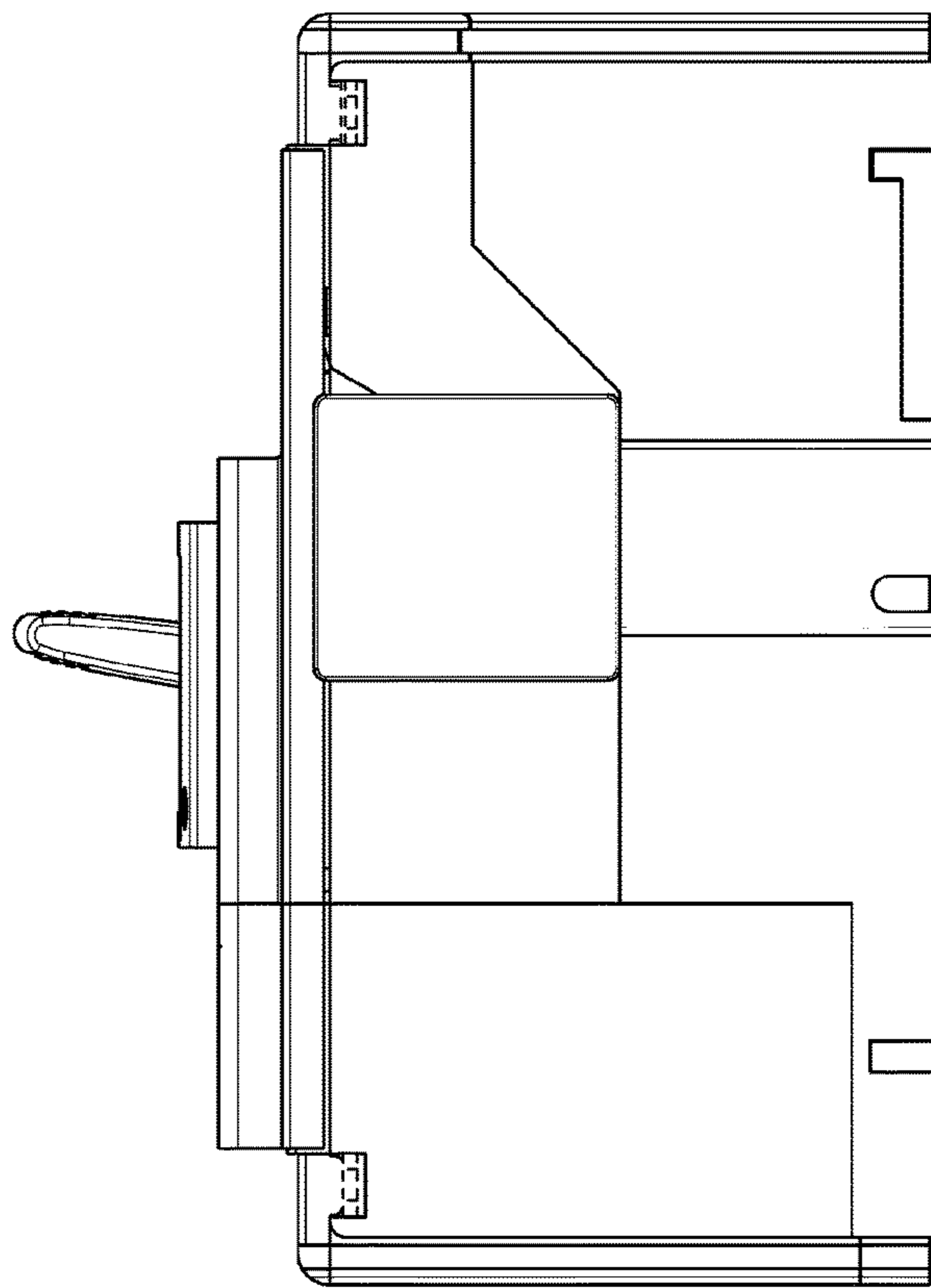


Fig. 14