

US00D804426S

(12) **United States Design Patent**
Watkins

(10) **Patent No.:** **US D804,426 S**

(45) **Date of Patent:** **** Dec. 5, 2017**

(54) **COAXIAL CABLE CONNECTOR**

(71) Applicant: **PPC BROADBAND, INC.**, East
Syracuse, NY (US)

(72) Inventor: **Harold John Watkins**, Chittenango,
NY (US)

(73) Assignee: **PPC BROADBAND, INC.**, East
Syracuse, NY (US)

(**) Term: **15 Years**

(21) Appl. No.: **29/578,884**

(22) Filed: **Sep. 26, 2016**

(51) **LOC (10) Cl.** **13-03**

(52) **U.S. Cl.**
USPC **D13/151**

(58) **Field of Classification Search**
USPC D13/103, 107, 110, 133, 146, 147, 151,
D13/153, 154, 155, 144; D14/433, 435.1;
D8/356; D23/262
CPC H01R 13/5845; H01R 13/72; H01R 31/06;
H01R 24/00; H01R 24/28; H01R 12/00;
H01R 9/05; H01B 11/1808; H01B
11/1839; H01B 11/1008; H01B 7/04;
H01B 7/0266; H01B 7/08; H01B 7/065;
H01B 12/08

See application file for complete search history.

(56) **References Cited**

U.S. PATENT DOCUMENTS

D572,200 S	*	7/2008	Chawgo	D13/133
D574,780 S	*	8/2008	Chawgo	D13/133
D601,507 S	*	10/2009	Rodrigues	D13/133
D601,966 S	*	10/2009	Shaw	D13/133
D601,967 S	*	10/2009	Shaw	D13/133
D606,494 S	*	12/2009	Holliday	D13/133
D608,294 S	*	1/2010	Shaw	D13/133
D610,998 S	*	3/2010	Purdy	D13/151

D610,999 S	*	3/2010	Purdy	D13/151
D620,894 S	*	8/2010	Lutz	D13/151
D623,599 S	*	9/2010	Purdy	D13/151
D626,920 S	*	11/2010	Purdy	D13/151
D630,590 S	*	1/2011	Holliday	D13/151
D635,521 S	*	4/2011	Holliday	D13/151
D661,256 S	*	6/2012	Shawgo	D13/151
D661,659 S	*	6/2012	Natoli	D13/151
D662,062 S	*	6/2012	Eriksen	D13/151
D662,893 S	*	7/2012	Haberek	D13/151
D679,660 S	*	4/2013	Haberek	D13/151
D686,164 S	*	7/2013	Haberek	D13/151
D686,576 S	*	7/2013	Haberek	D13/151
D692,389 S	*	10/2013	Natoli	D13/151
D699,685 S	*	2/2014	Hanson	D13/151
D703,147 S	*	4/2014	Hanson	D13/151
D715,227 S	*	10/2014	Leem	D13/146
D750,029 S	*	2/2016	Zhu	D13/151
D777,112 S	*	1/2017	Watkins	D13/151

(Continued)

Primary Examiner — Rosemary K Tarcza

Assistant Examiner — Christy Nemeth

(74) *Attorney, Agent, or Firm* — Oliff PLC

(57) **CLAIM**

The ornamental design for a coaxial cable connector, as shown and described.

DESCRIPTION

FIG. 1 is a front, top, right-side view of the coaxial cable connector;

FIG. 2 is a front elevational view thereof;

FIG. 3 is a rear elevational view thereof;

FIG. 4 is a right-side elevational view thereof;

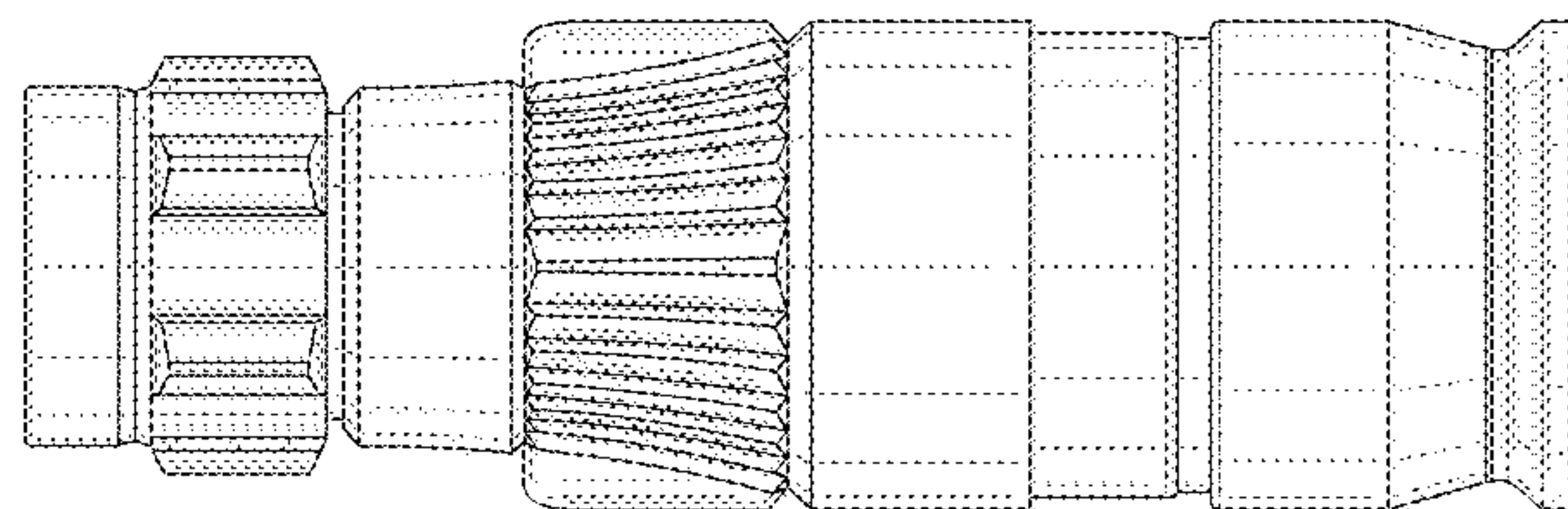
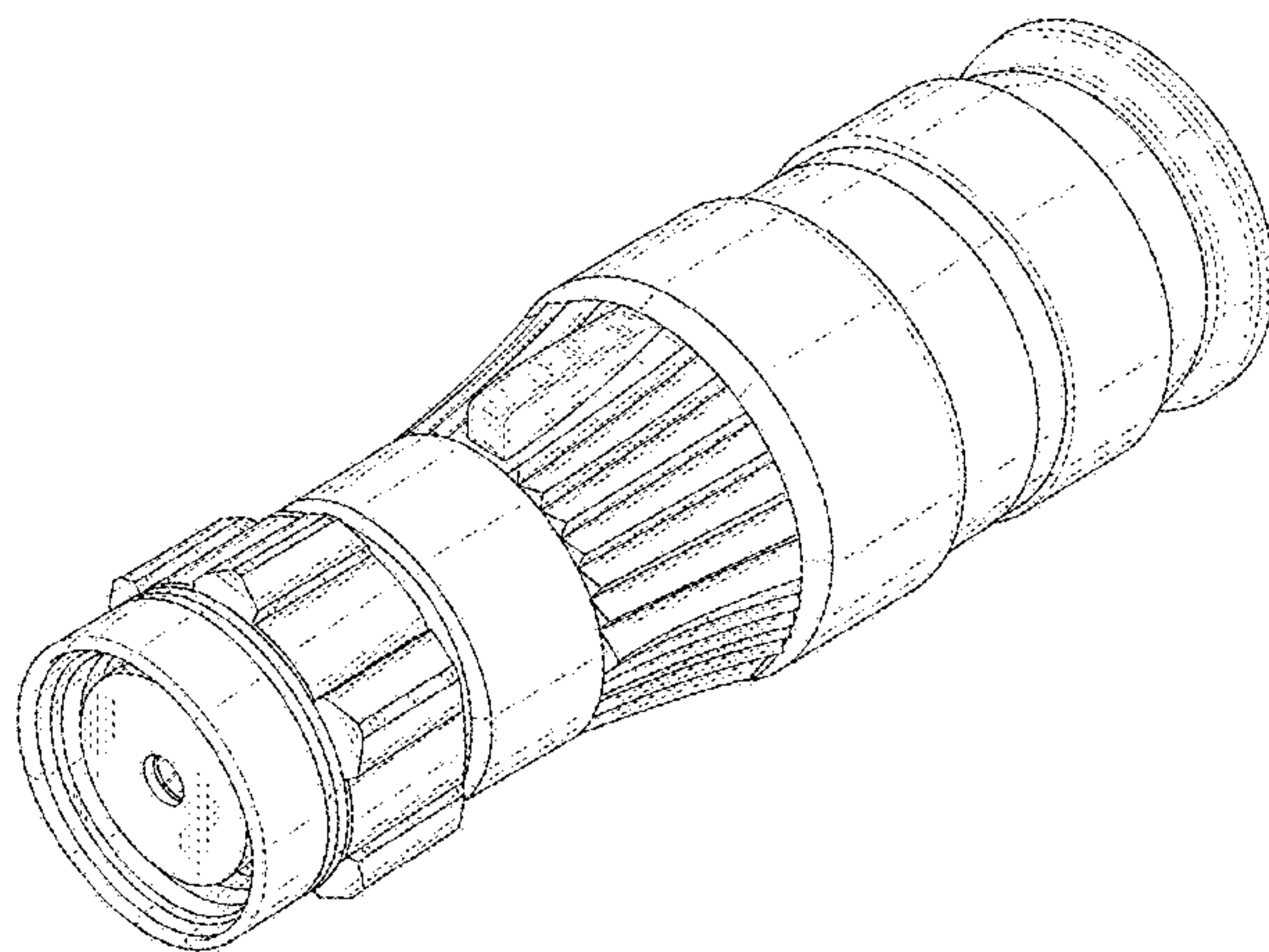
FIG. 5 is a left-side elevational view thereof;

FIG. 6 is a top plan view thereof; and,

FIG. 7 is a bottom plan view thereof.

The broken lines in the drawings illustrate portions of the coaxial cable connector that form no part of the claimed design.

1 Claim, 7 Drawing Sheets



(56)

References Cited

U.S. PATENT DOCUMENTS

2012/0122329 A1* 5/2012 Montena H01R 9/05
439/271
2015/0111429 A1* 4/2015 Hoyak H01R 9/05
439/607.17

* cited by examiner

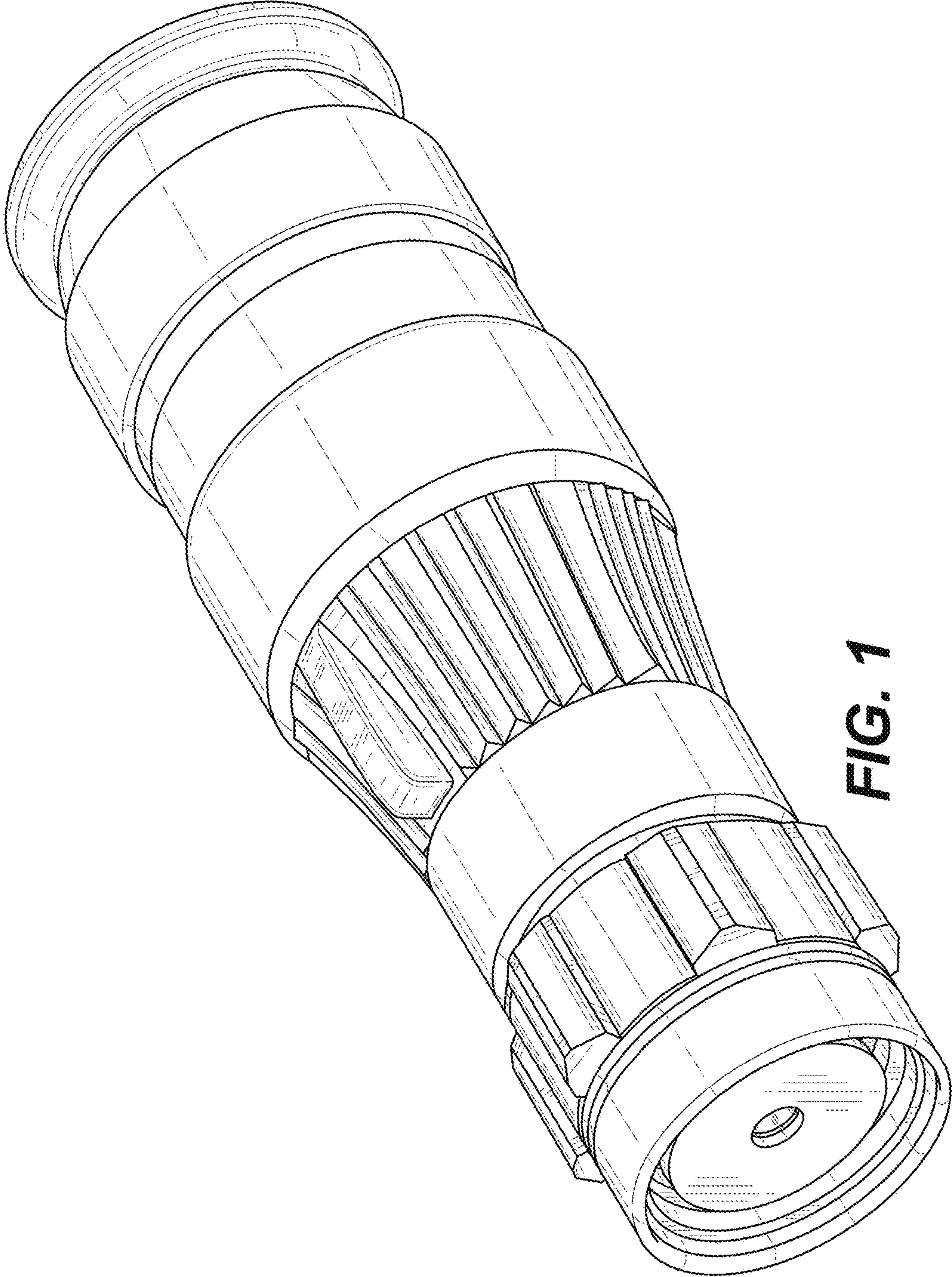


FIG. 1

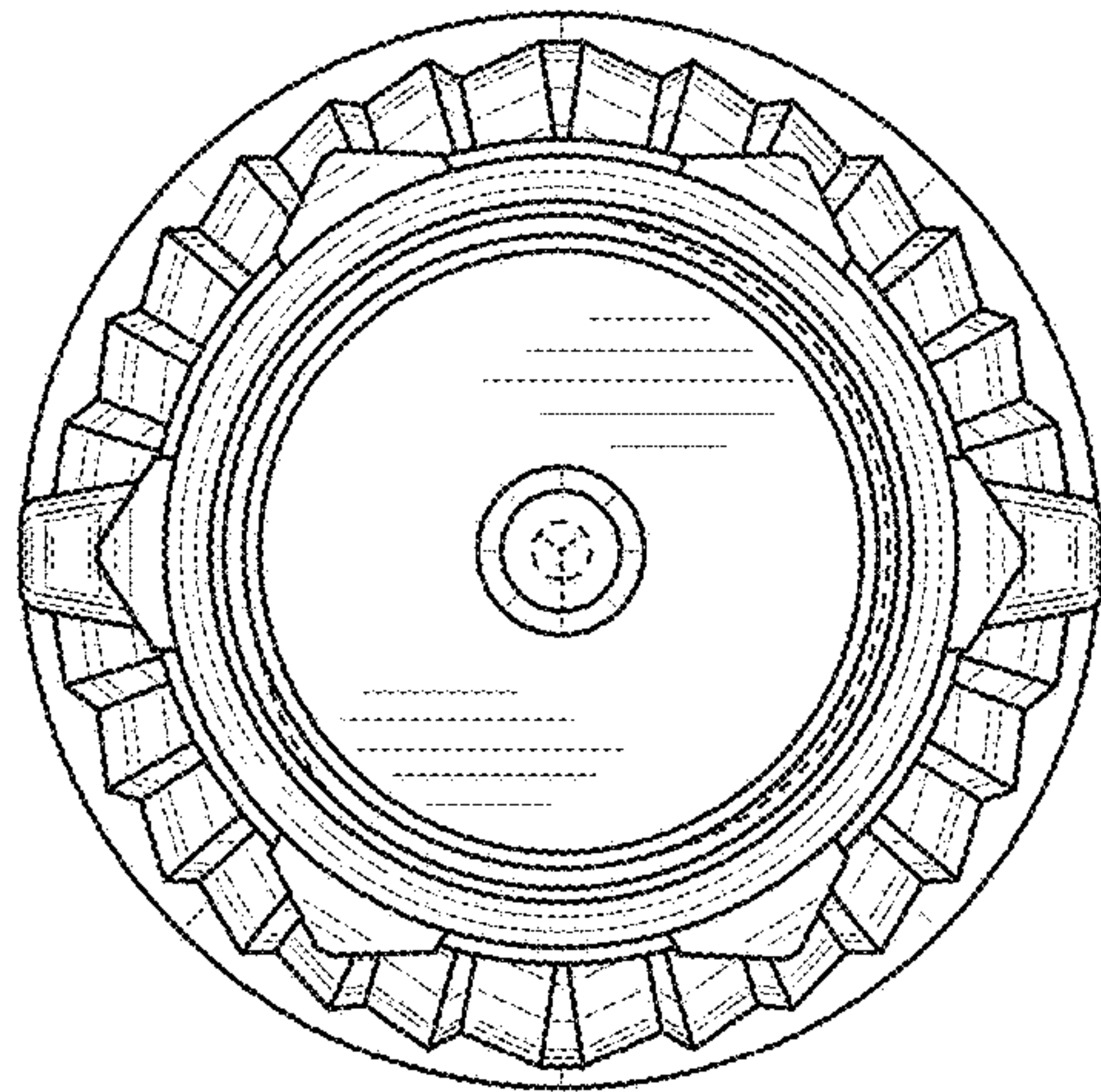


FIG. 2

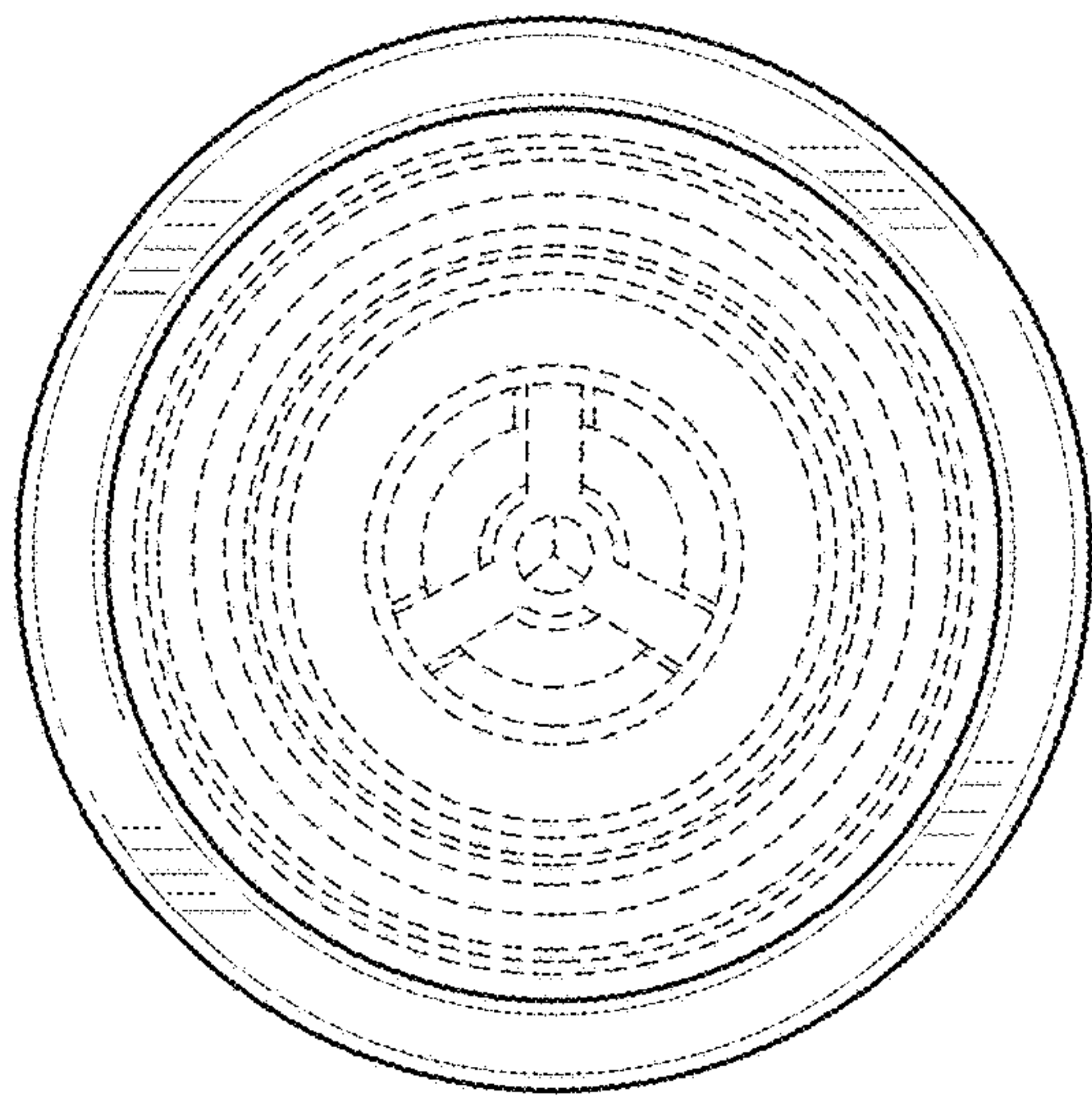


FIG. 3

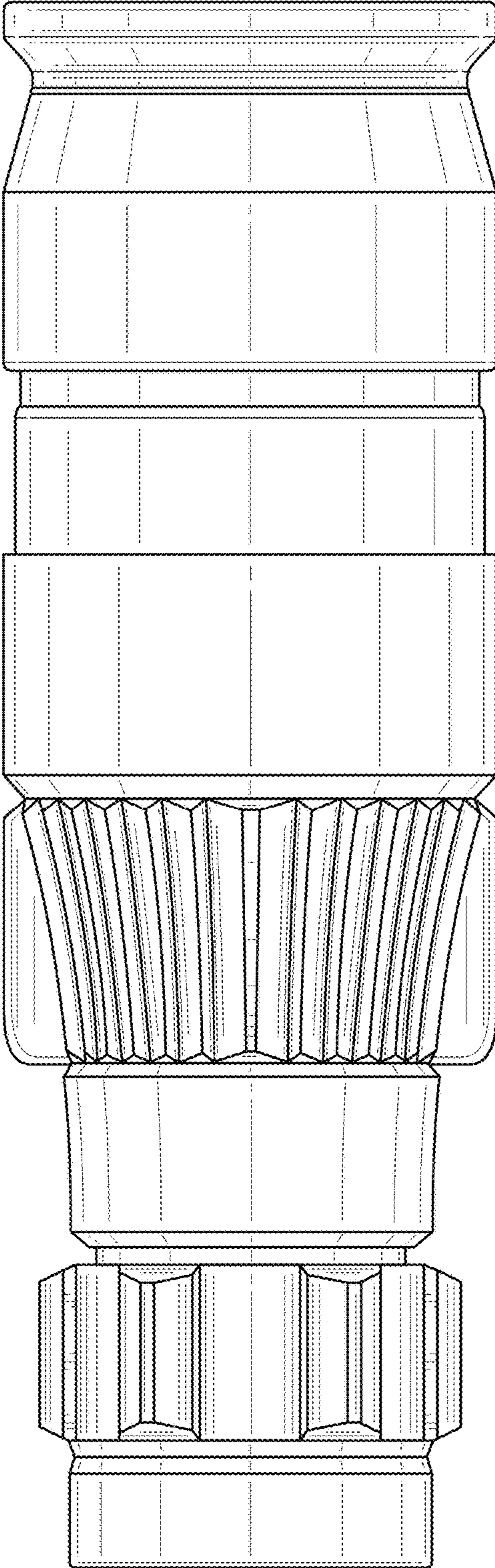


FIG. 4

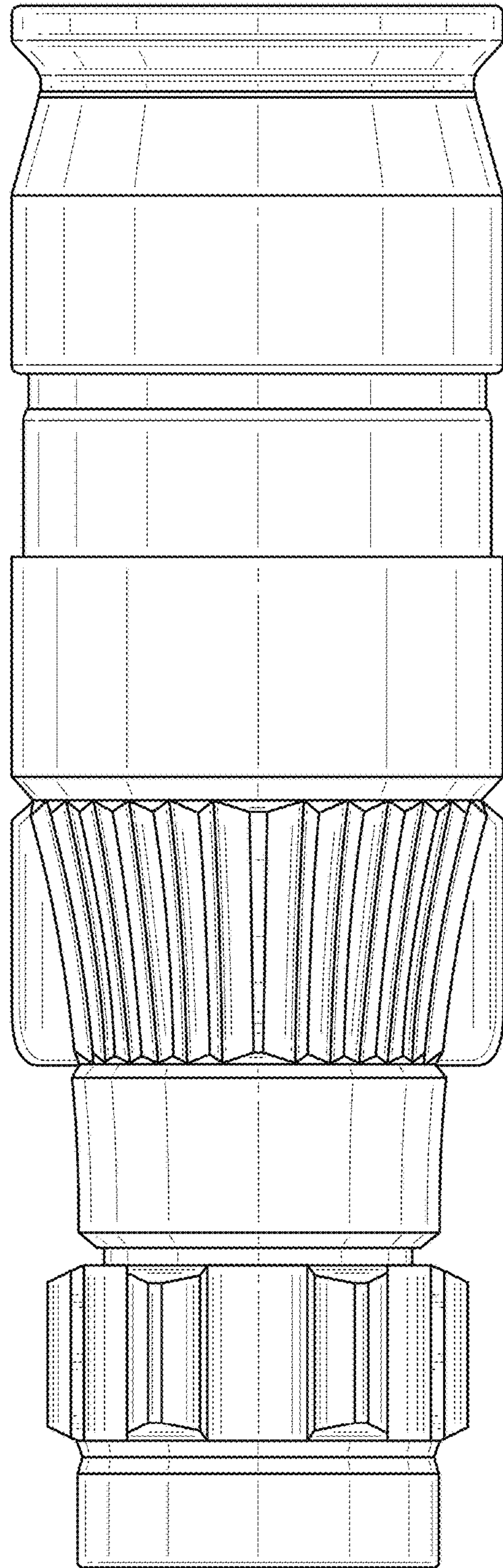


FIG. 5

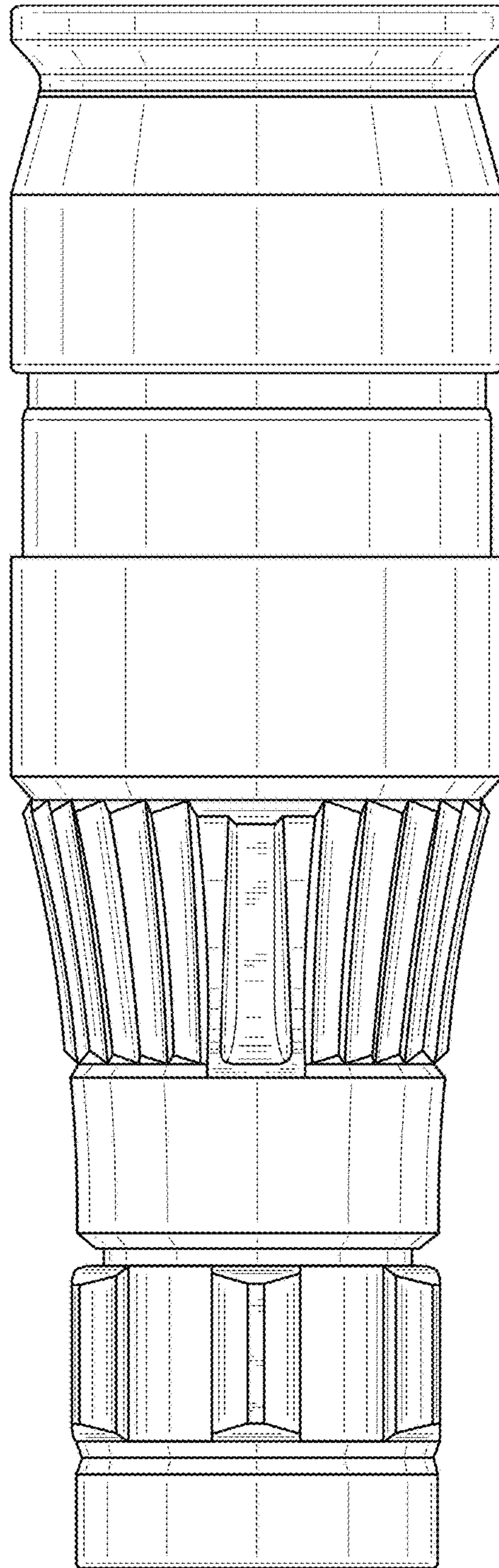


FIG. 6

