



US00D804424S

(12) **United States Design Patent** (10) **Patent No.:** **US D804,424 S**
Yokoyama et al. (45) **Date of Patent:** **** Dec. 5, 2017**

(54) **ELECTRICAL CONNECTOR**

(56) **References Cited**

(71) Applicant: **Japan Aviation Electronics Industry, Limited**, Tokyo (JP)

U.S. PATENT DOCUMENTS

(72) Inventors: **Yohei Yokoyama**, Tokyo (JP); **Masaaki Takaku**, Tokyo (JP); **Tatsuya Shioda**, Tokyo (JP); **Kouhei Ueda**, Tokyo (JP); **Yoshio Minegishi**, Tokyo (JP)

D744,428 S *	12/2015	Rodriguez	D13/147
D767,494 S *	9/2016	Tada	D13/147
D768,085 S *	10/2016	Yokoyama	D13/147
D769,196 S *	10/2016	Yokoyama	D13/147
D786,798 S *	5/2017	Yokoyama	D13/147
D788,041 S *	5/2017	Akana	D13/147
2015/0194772 A1 *	7/2015	Little	H01R 13/6597 439/357

(73) Assignee: **JAPAN AVIATION ELECTRONICS INDUSTRY, LIMITED**, Tokyo (JP)

* cited by examiner

(**) Term: **15 Years**

Primary Examiner — Daniel Bui

(21) Appl. No.: **29/574,180**

(74) *Attorney, Agent, or Firm* — Manabu Kanesaka

(22) Filed: **Aug. 12, 2016**

(57) **CLAIM**

The ornamental design for an electrical connector, as shown and described.

Related U.S. Application Data

(62) Division of application No. 29/516,594, filed on Feb. 4, 2015.

DESCRIPTION

(30) **Foreign Application Priority Data**

Aug. 18, 2014 (JP) 2014-017799
Sep. 30, 2014 (JP) 2014-021690

FIG. 1 is a front view of an electrical connector showing our new design;
FIG. 2 is a rear view thereof;
FIG. 3 is a right side view thereof;
FIG. 4 is a left side view thereof;
FIG. 5 is a plan view thereof;
FIG. 6 is a bottom view thereof;
FIG. 7 is a perspective view showing a front, top and right side thereof;
FIG. 8 is a perspective view showing a rear, bottom and left side thereof;
FIG. 9 is a perspective view showing a front, right side and bottom thereof; and,
FIG. 10 is a perspective view showing a rear, left side and top thereof.

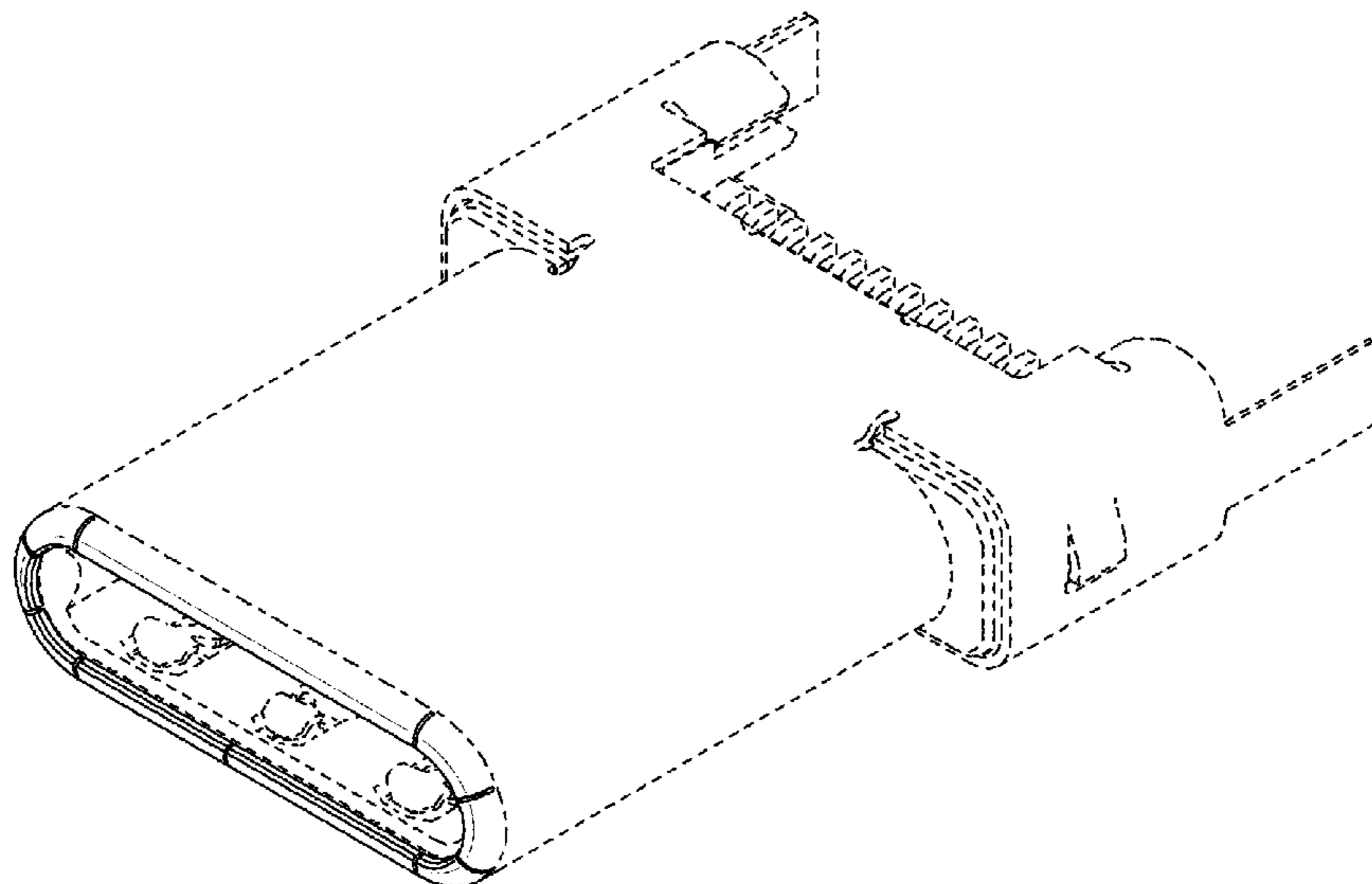
(51) **LOC (10) Cl.** **13-03**
(52) **U.S. Cl.**
USPC **D13/147**

(58) **Field of Classification Search**
USPC D13/133, 146, 147, 154, 184, 199
CPC H01R 4/02; H01R 24/60; H01R 24/64;
H01R 13/17; H01R 13/502; H01R 13/648; H01R 13/6581; H01R 13/6583;
H01R 13/6596; H01R 12/52; H01R 12/71; H01R 12/79; H01R 13/24; H01R 43/02; H01R 43/16

The broken lines are shown for environmental purposes only and depict portions of the electrical connector that form no part of claimed design, and the dash-dot lines represent boundaries of the claimed design.

See application file for complete search history.

1 Claim, 5 Drawing Sheets



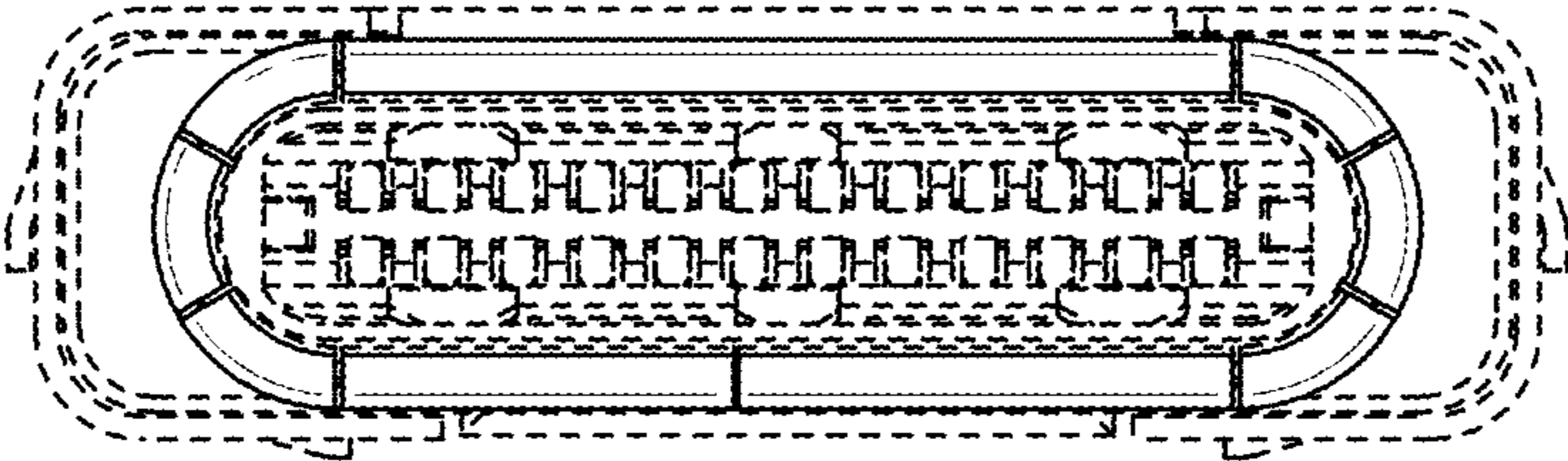


FIG. 1

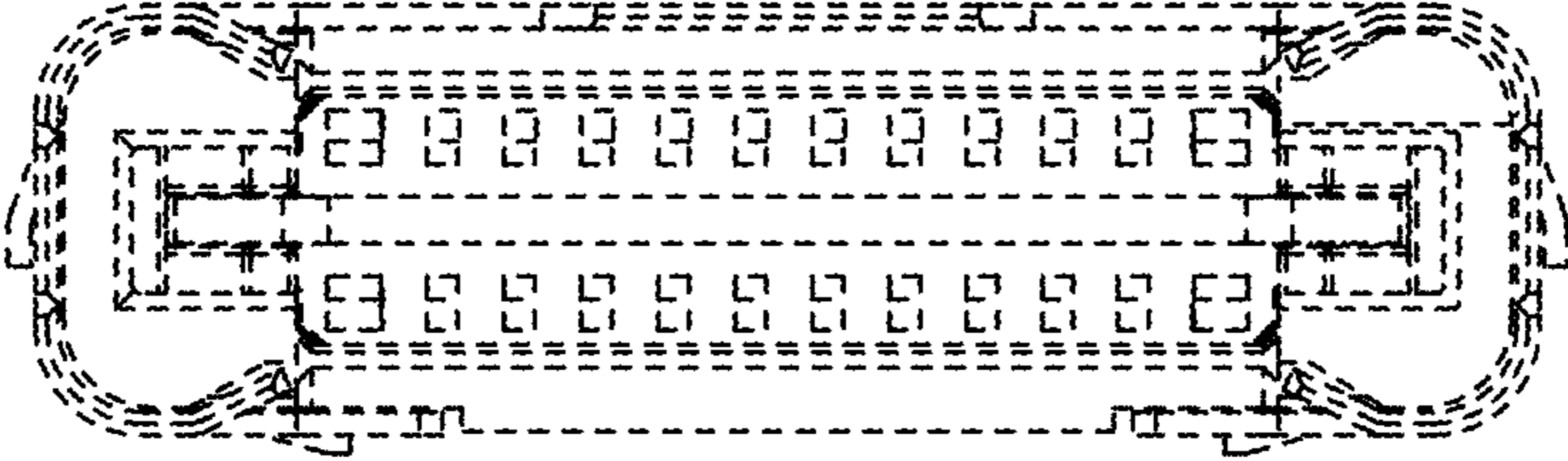


FIG. 2

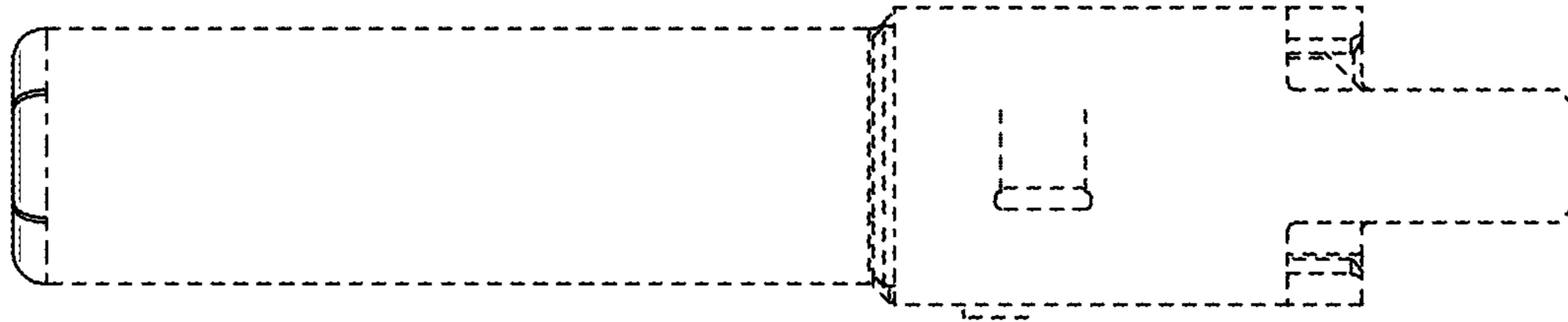


FIG. 3

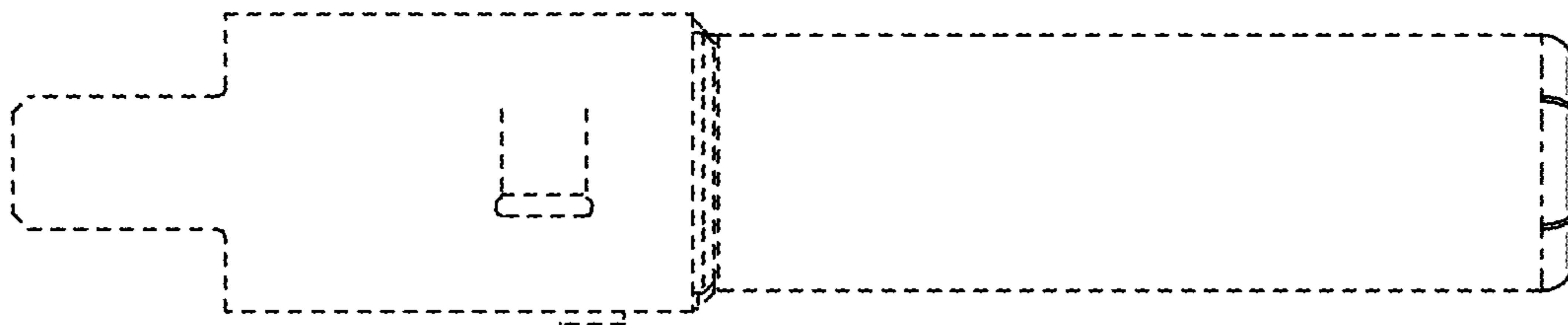


FIG. 4

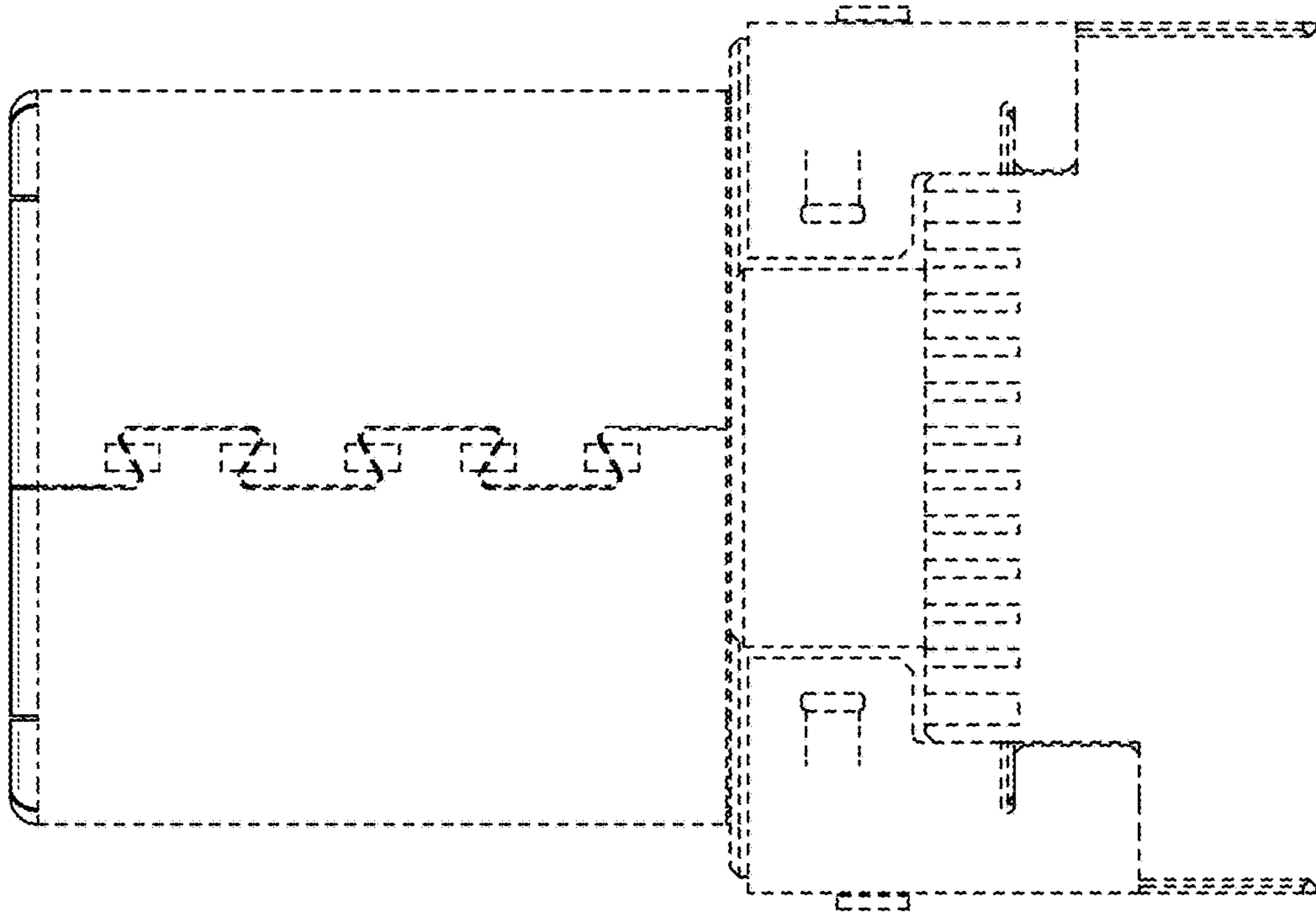


FIG. 5

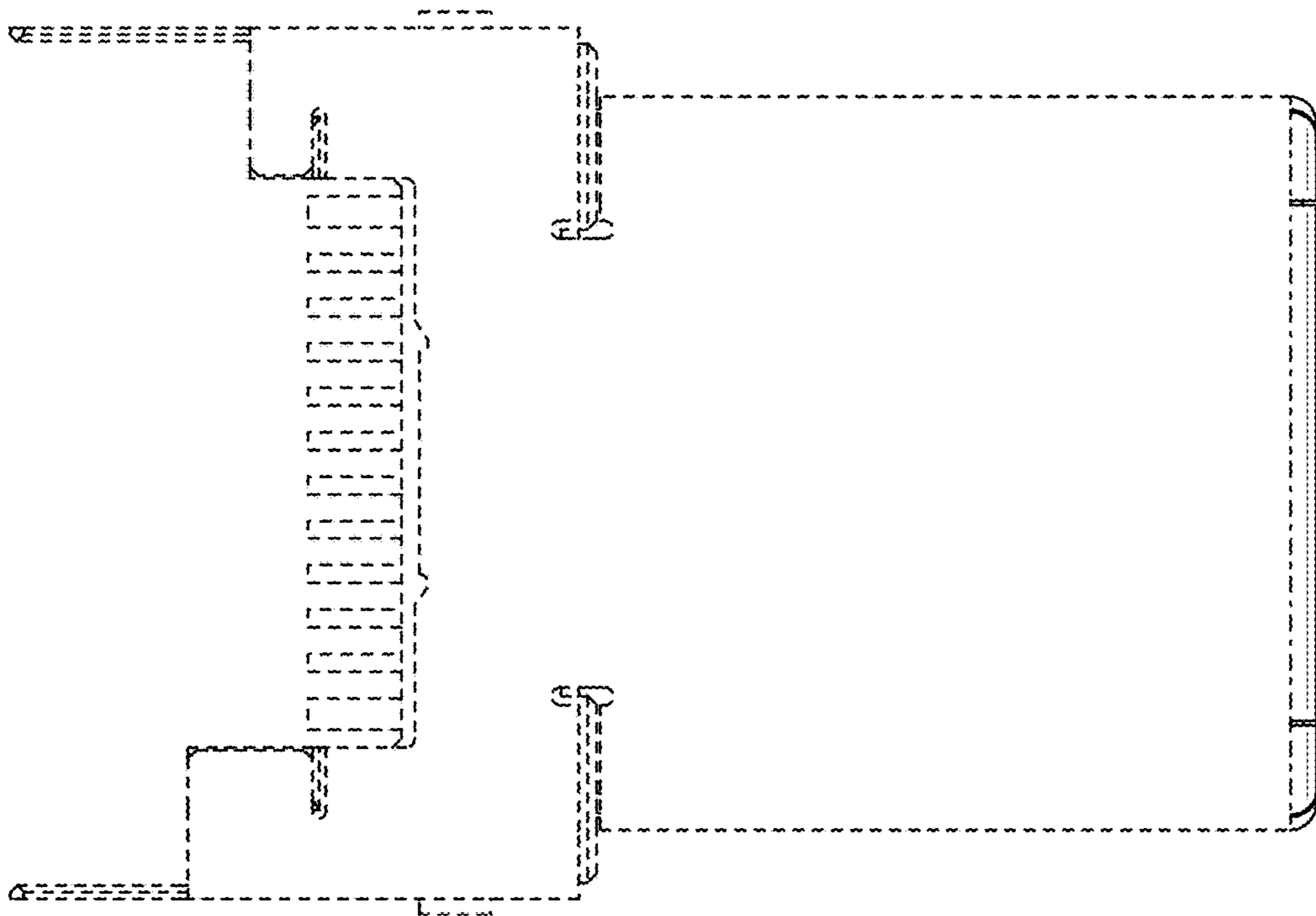


FIG. 6

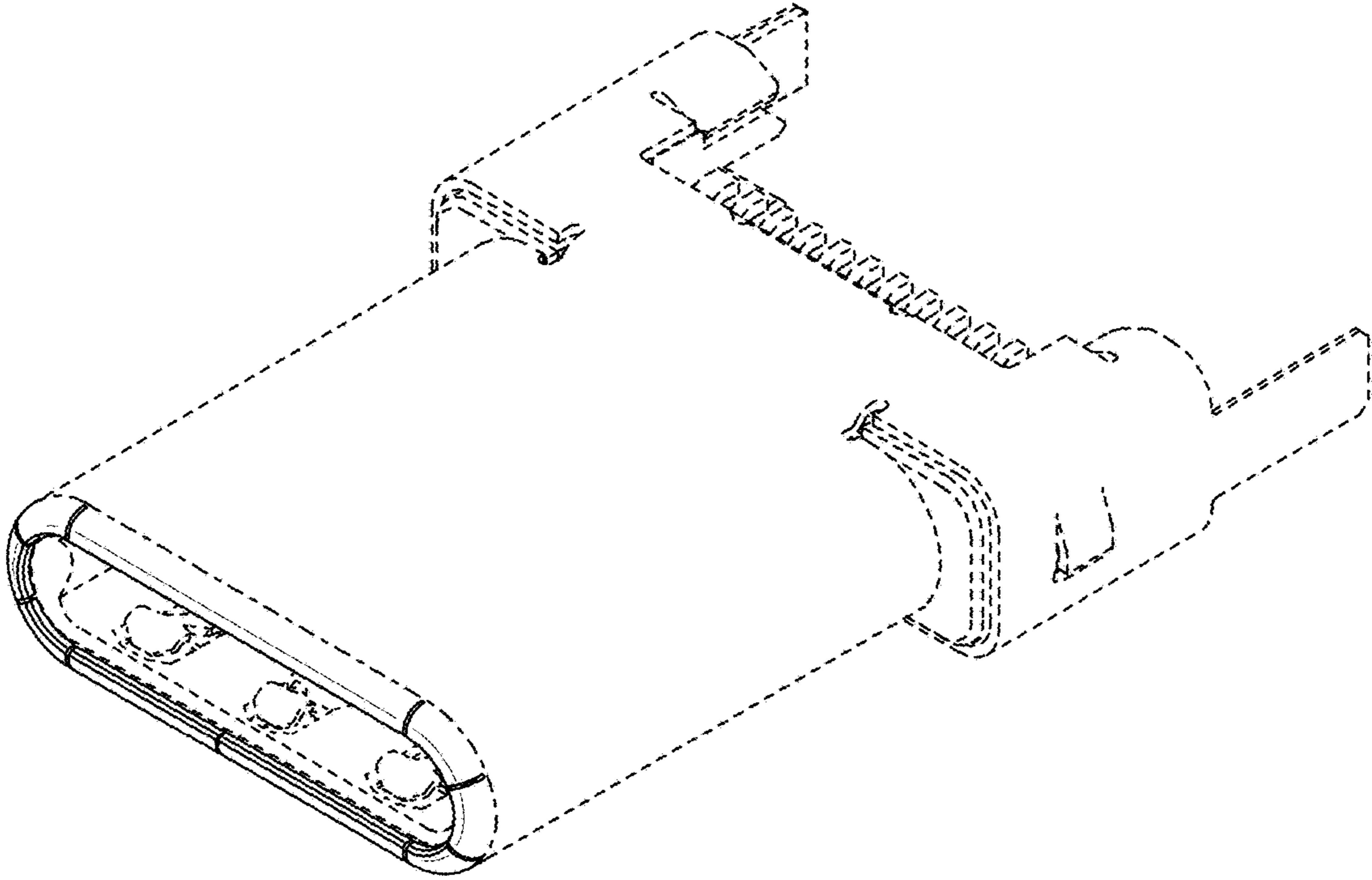


FIG. 7

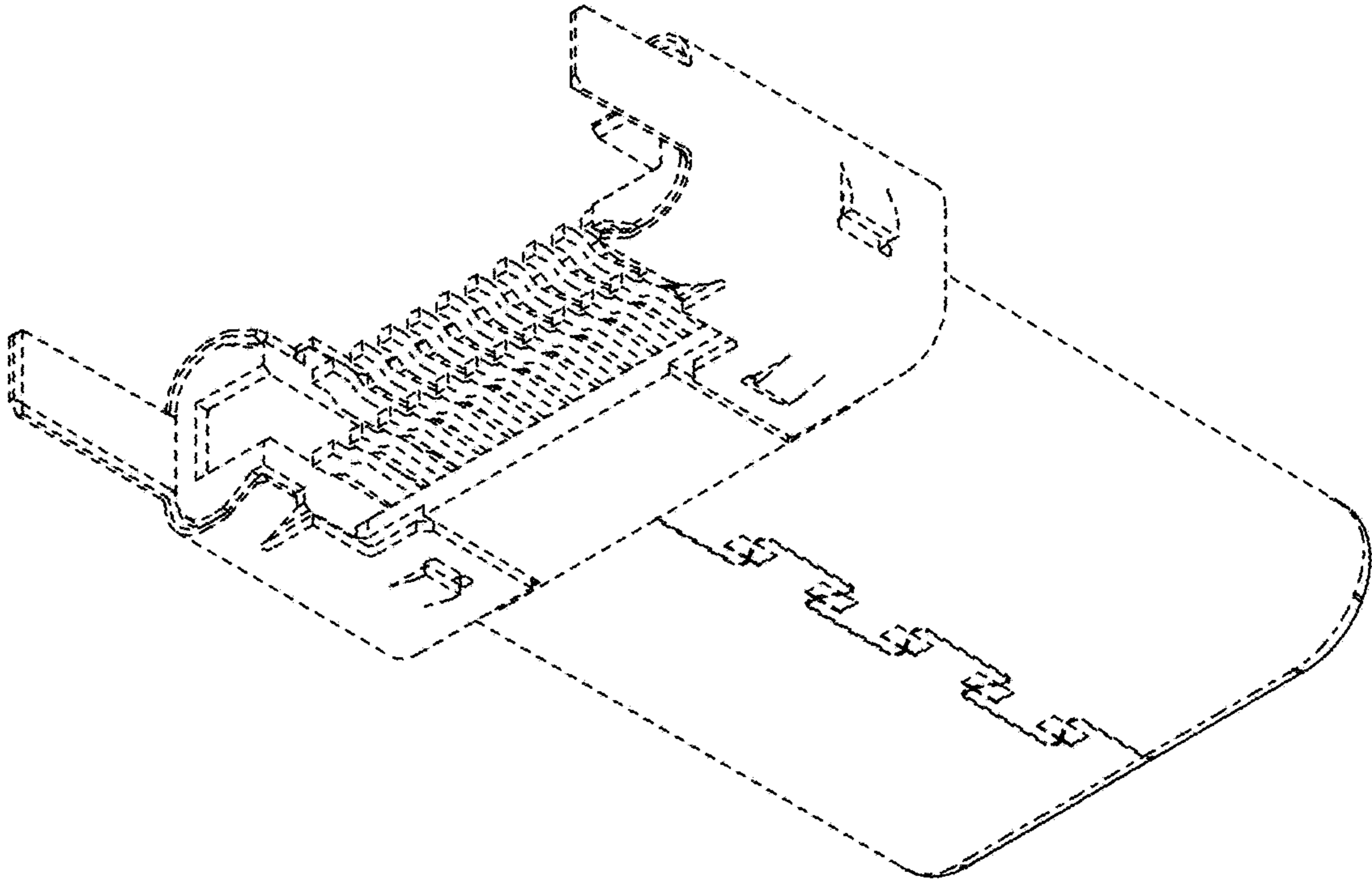


FIG. 8

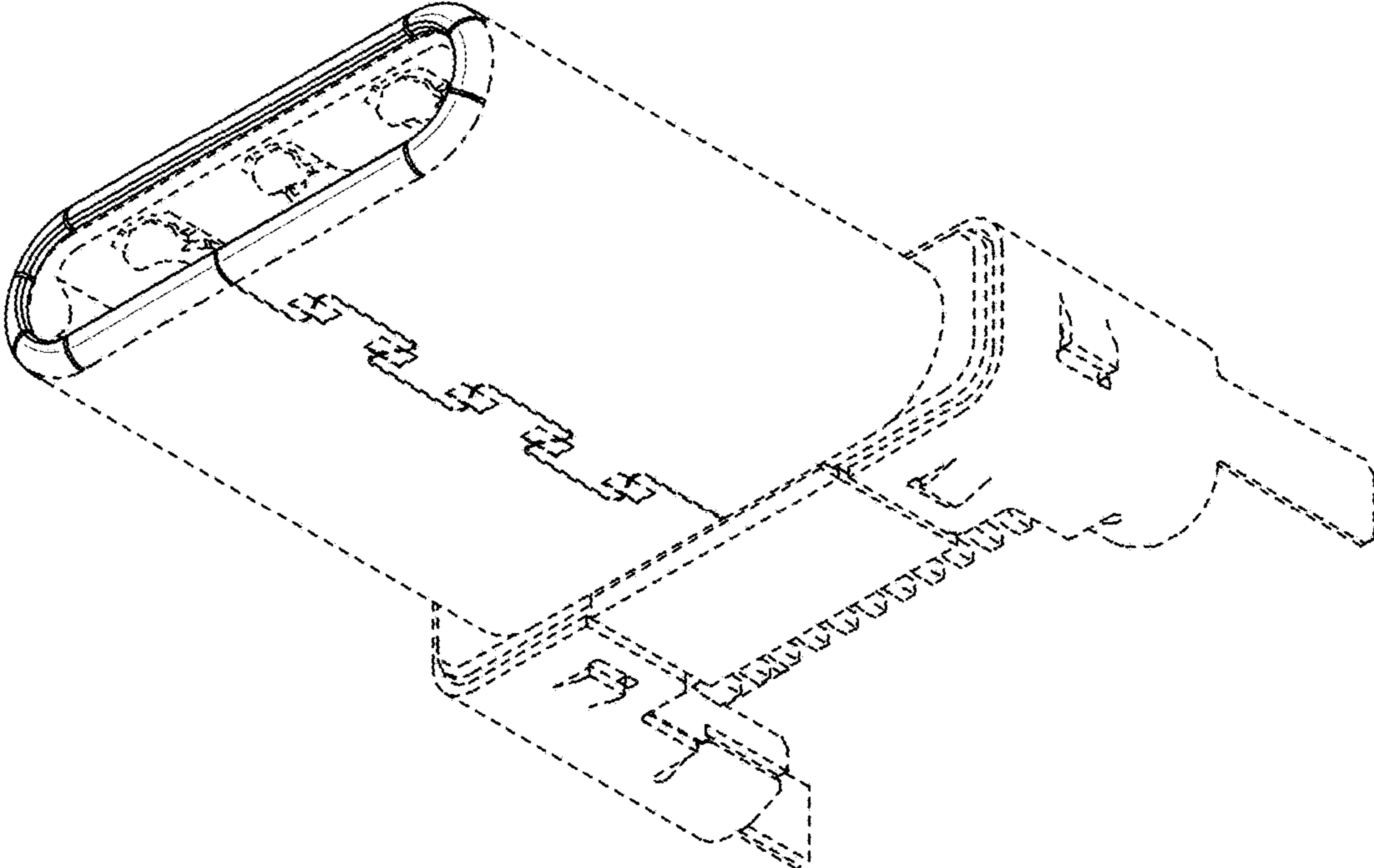


FIG. 9

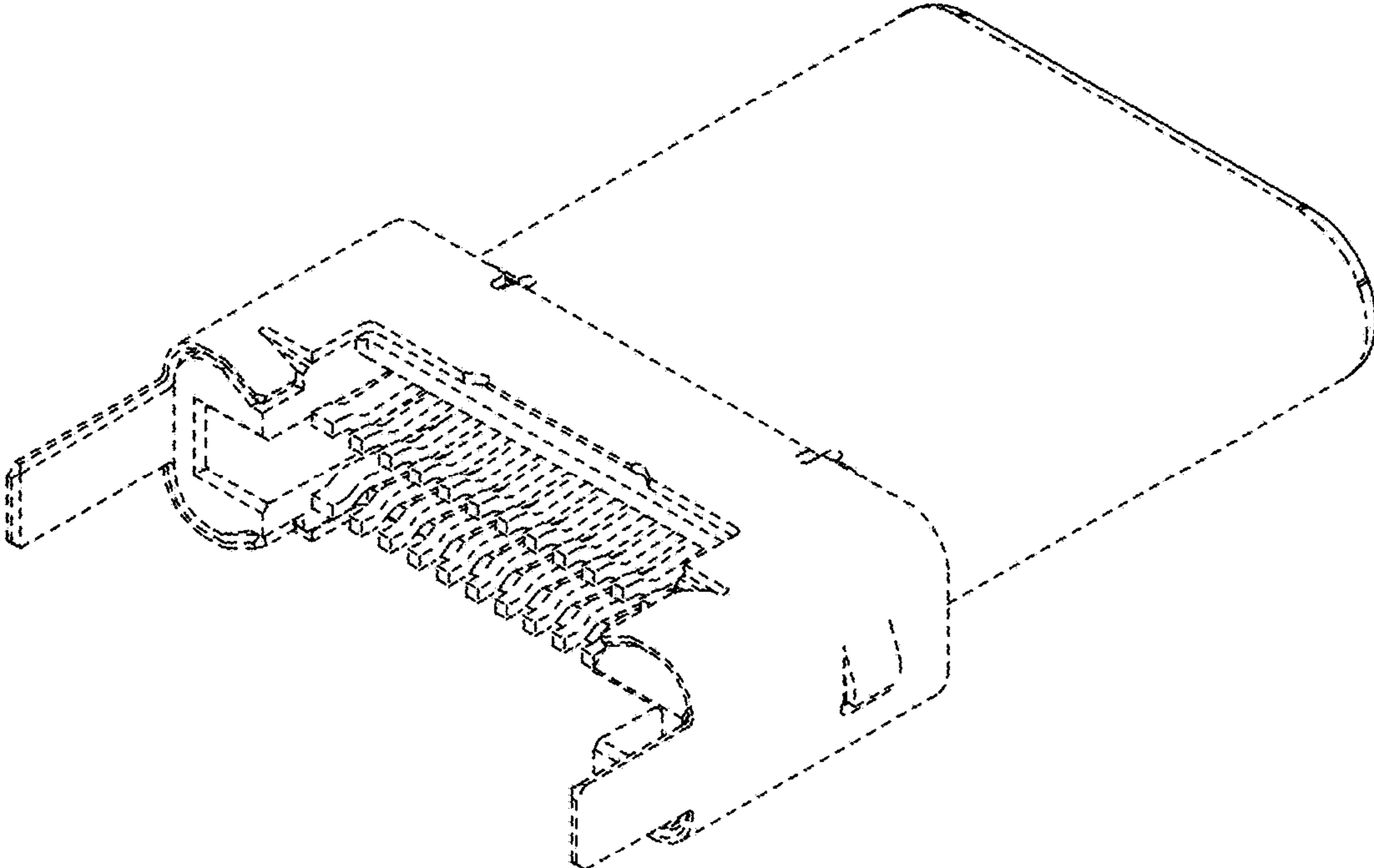


FIG. 10