



US00D804423S

(12) **United States Design Patent**
Mennekes

(10) **Patent No.:** **US D804,423 S**
(45) **Date of Patent:** **** Dec. 5, 2017**

(54) **SOCKET**

(71) Applicant: **AMAD Mennekes Holding GmbH & Co. KG**, Kirchhundem (DE)

(72) Inventor: **Christopher Mennekes**, Kirchhundem (DE)

(73) Assignee: **AMAD Mennekes Holding GmbH & Co. KG**, Kirchhundem (DE)

(**) Term: **15 Years**

(21) Appl. No.: **29/570,229**

(22) Filed: **Jul. 6, 2016**

Related U.S. Application Data

(62) Division of application No. 29/493,073, filed on Jun. 5, 2014, now Pat. No. Des. 763,799.

(30) **Foreign Application Priority Data**

Dec. 5, 2013 (EM) DM/082 547

(51) **LOC (10) Cl.** **13-03**

(52) **U.S. Cl.**
USPC **D13/147**

(58) **Field of Classification Search**
USPC D13/133, 146, 147, 154, 184, 199
CPC H01R 13/627; H01R 13/6276; H01R 13/6277; H01R 13/6278; H01R 13/658; H01R 13/6582; H01R 13/6586; H01R 13/6587; H01R 13/6595

See application file for complete search history.

(56) **References Cited**

U.S. PATENT DOCUMENTS

D763,799 S * 8/2016 Mennekes D13/147

* cited by examiner

Primary Examiner — Daniel Bui

(74) *Attorney, Agent, or Firm* — Henry M. Feiereisen LLC

(57) **CLAIM**

The ornamental design for the socket, as shown and described.

DESCRIPTION

The patent or application file contains at least one drawing executed in color. Copies of this patent or patent application publication with color drawing(s) will be provided by the Office upon request and payment of the necessary fee.

FIG. 1 is a front left side perspective view of a socket showing my new design;

FIG. 2 is a front perspective view thereof;

FIG. 3 is a rear perspective view thereof;

FIG. 4 is a left side perspective view thereof, the right side perspective view thereof being a mirror image of the left side perspective view;

FIG. 5 is a top perspective view thereof; and,

FIG. 6 is a bottom perspective view thereof.

All circles and ellipses in the black and white areas in FIG. 1 and FIG. 2 are unclaimed environment and form no part of the claimed design.

All circles, all elements within the black areas and all elements within the white areas in FIG. 3 are unclaimed environment and form no part of the claimed design.

All ellipses in FIGS. 5 and 6 are unclaimed environment and form no part of the claimed design.

1 Claim, 3 Drawing Sheets
(3 of 3 Drawing Sheet(s) Filed in Color)

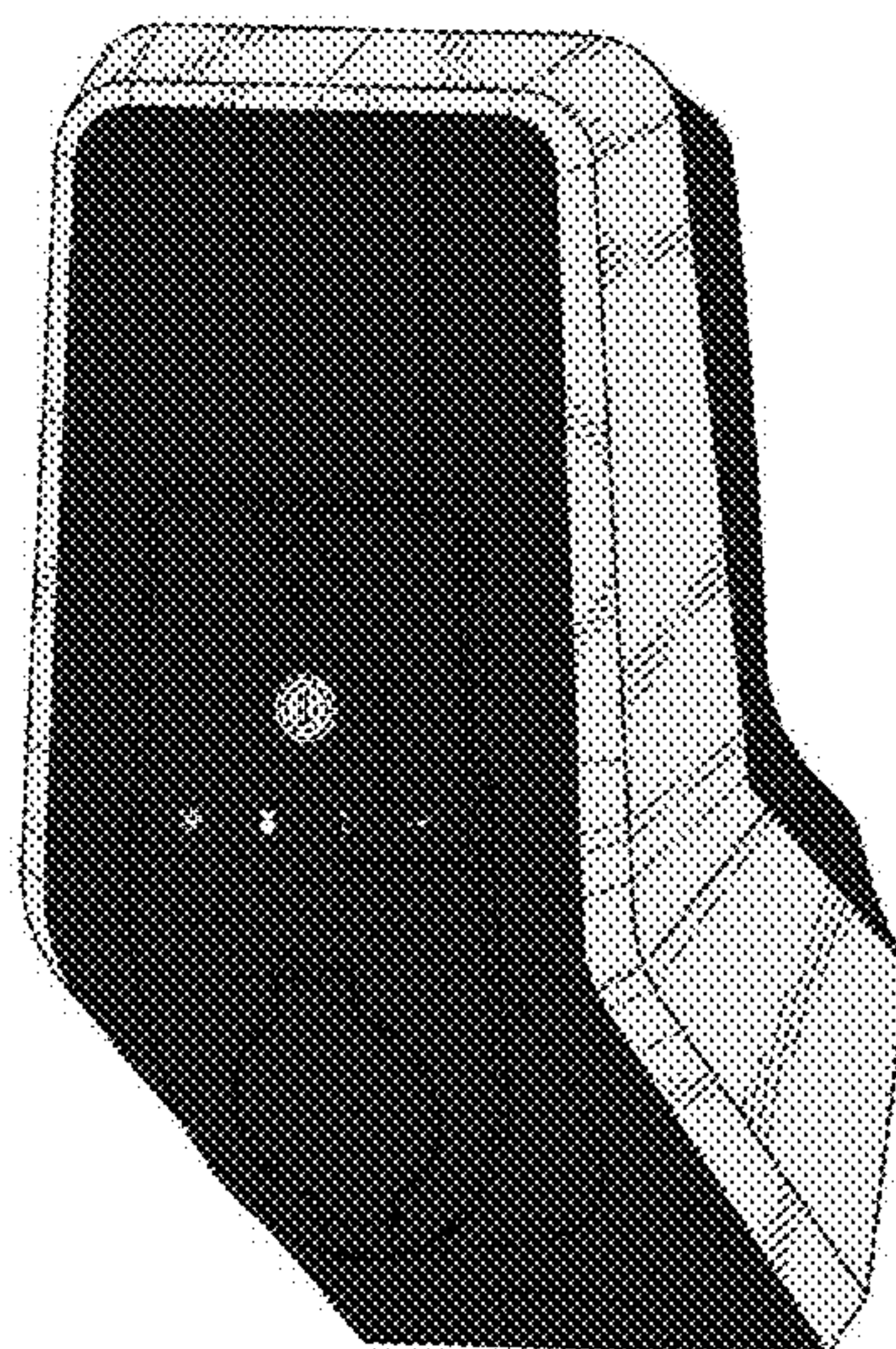


FIG. 2

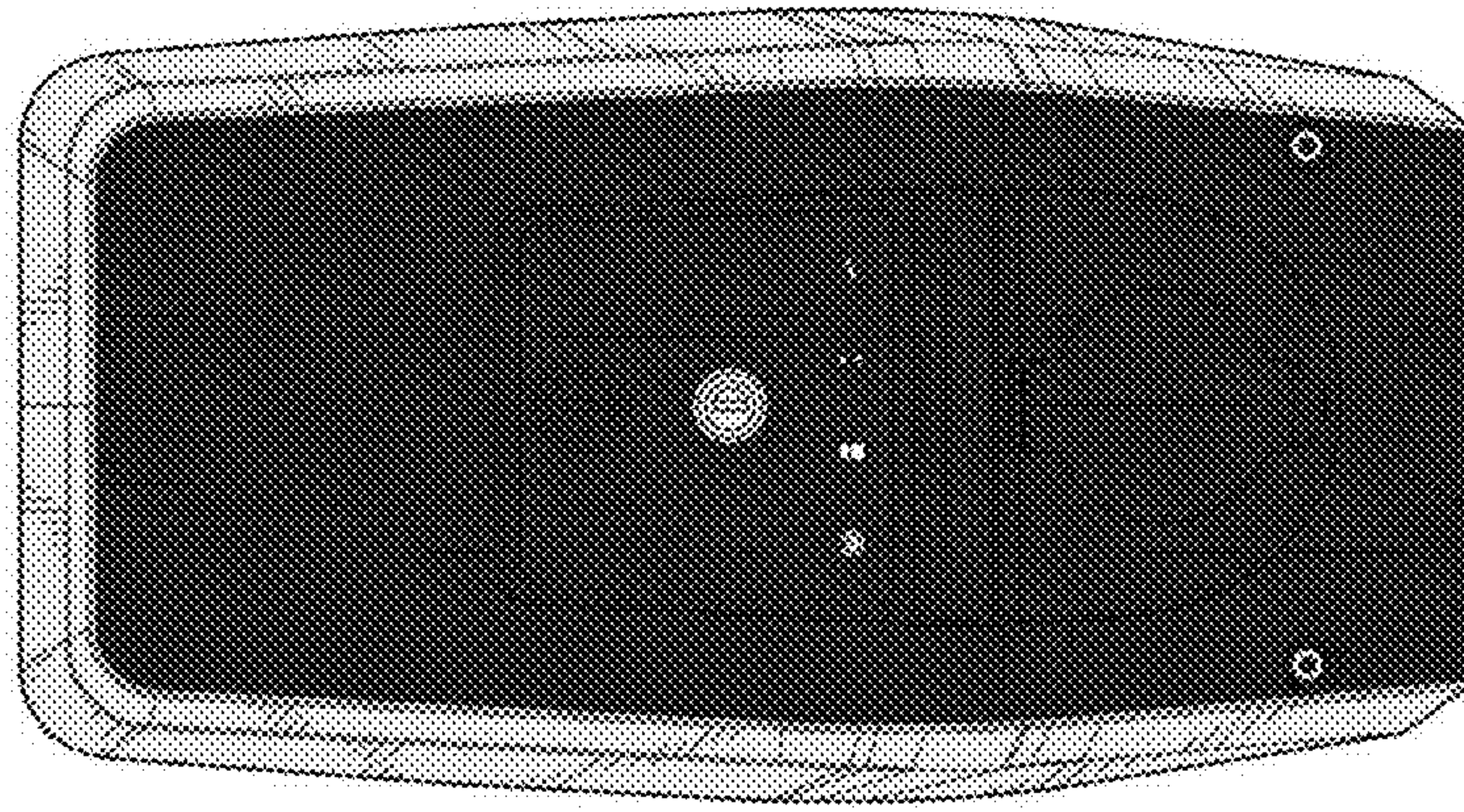


FIG. 1

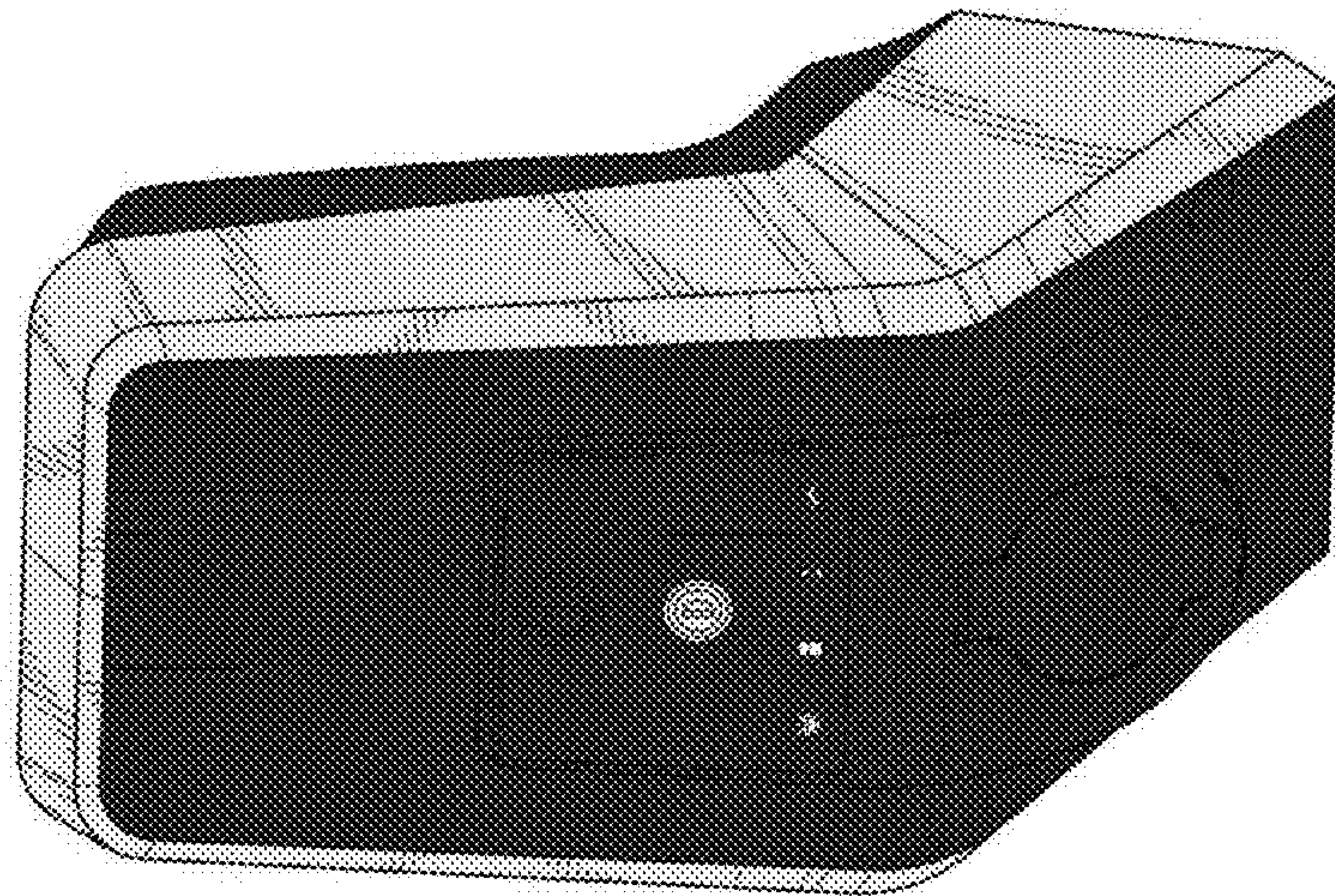


FIG. 4

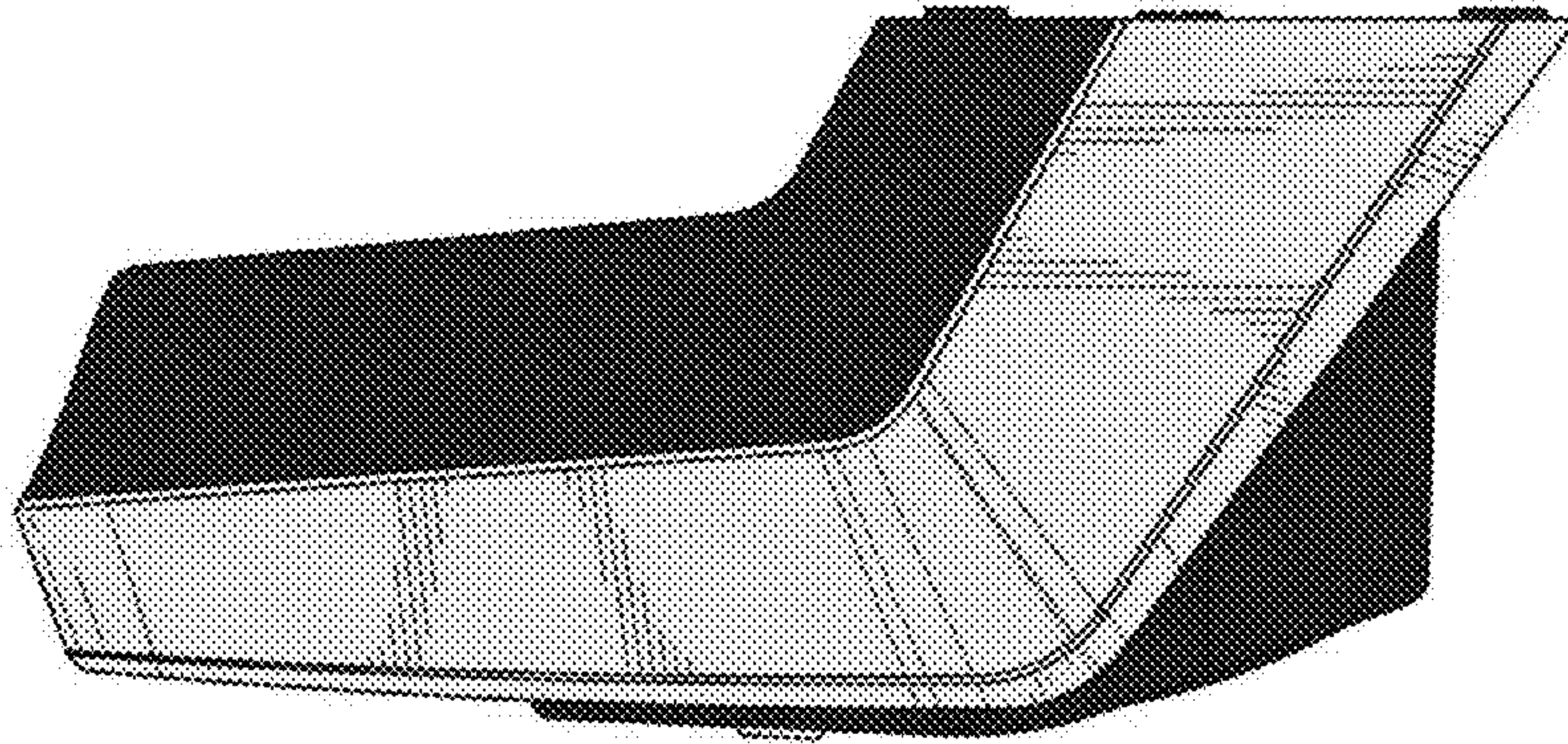


FIG. 3

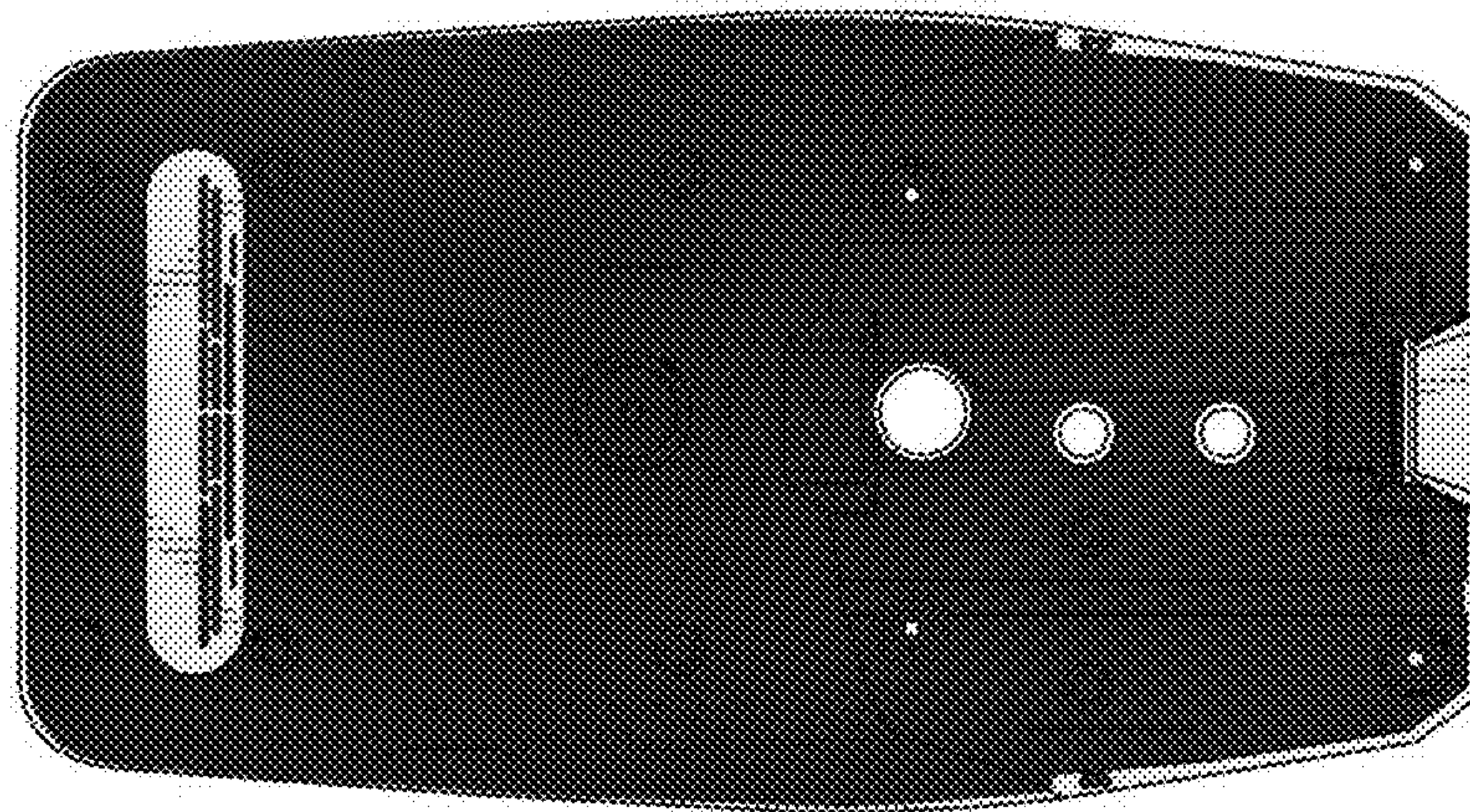


FIG. 5

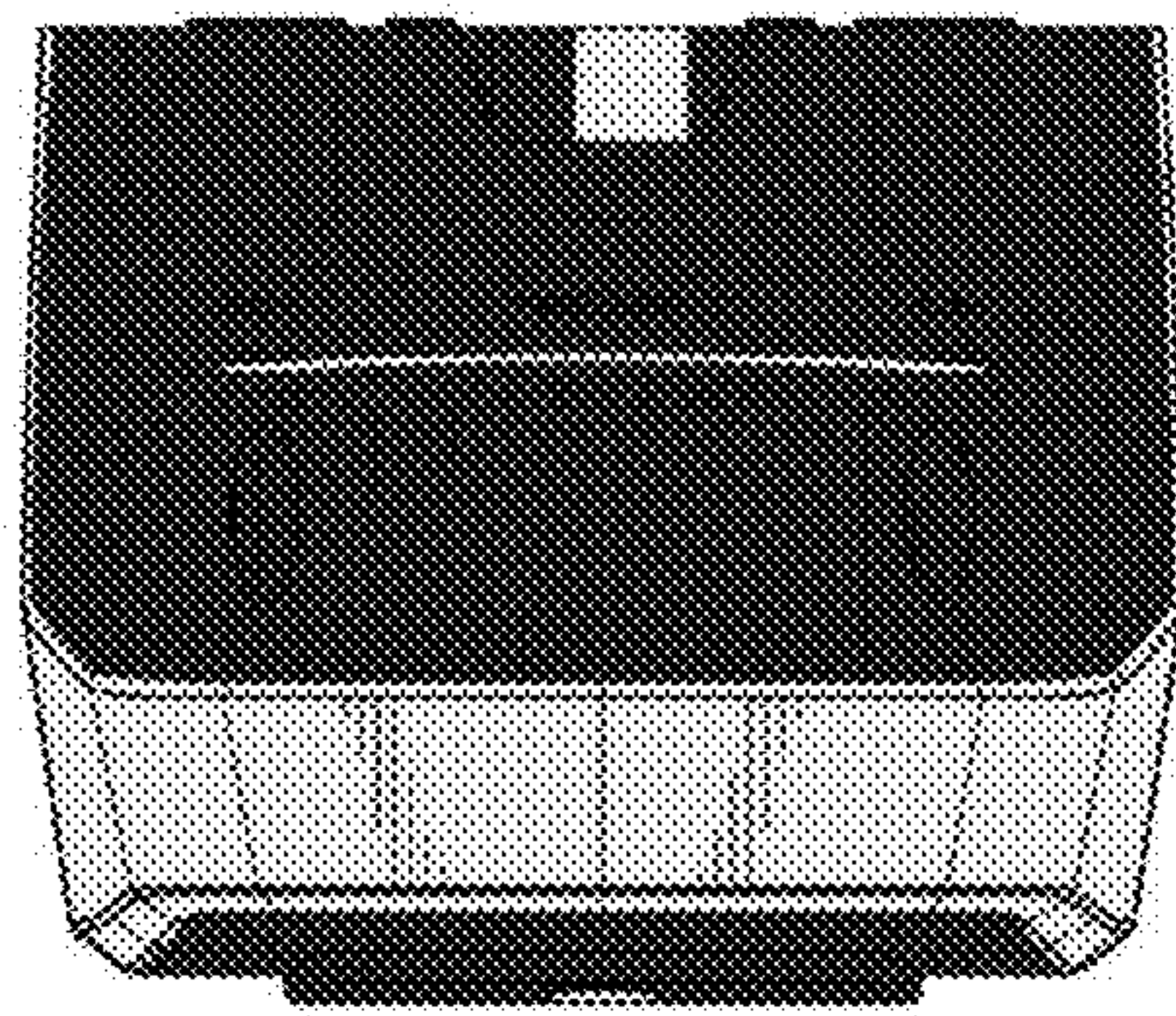


FIG. 6

