



US00D804420S

(12) **United States Design Patent** (10) **Patent No.:** **US D804,420 S**  
**Huettemeier** (45) **Date of Patent:** **\*\* Dec. 5, 2017**

(54) **ELECTRICAL CONNECTOR**

(56) **References Cited**

(71) Applicant: **Phoenix Contact GmbH & Co. KG,**  
Blomberg (DE)

U.S. PATENT DOCUMENTS

(72) Inventor: **Thomas Huettemeier,** Lage (DE)

D643,814 S *	8/2011	Tanaka .....	D13/120
D724,033 S *	3/2015	Shimamoto .....	D13/159
D753,067 S *	4/2016	Thomasson .....	D13/159
D777,117 S *	1/2017	Singer .....	D13/160

(73) Assignee: **PHOENIX CONTACT GMBH & CO. KG,** Blomberg (DE)

\* cited by examiner

(\*\*) Term: **15 Years**

*Primary Examiner* — Daniel Bui

(21) Appl. No.: **29/539,592**

(74) *Attorney, Agent, or Firm* — Leydig, Voit & Mayer, Ltd.

(22) Filed: **Sep. 16, 2015**

(57) **CLAIM**

The ornamental design for an electrical connector, as shown and described.

**DESCRIPTION**

(30) **Foreign Application Priority Data**

Mar. 19, 2015 (EM) ..... 002661025-0001

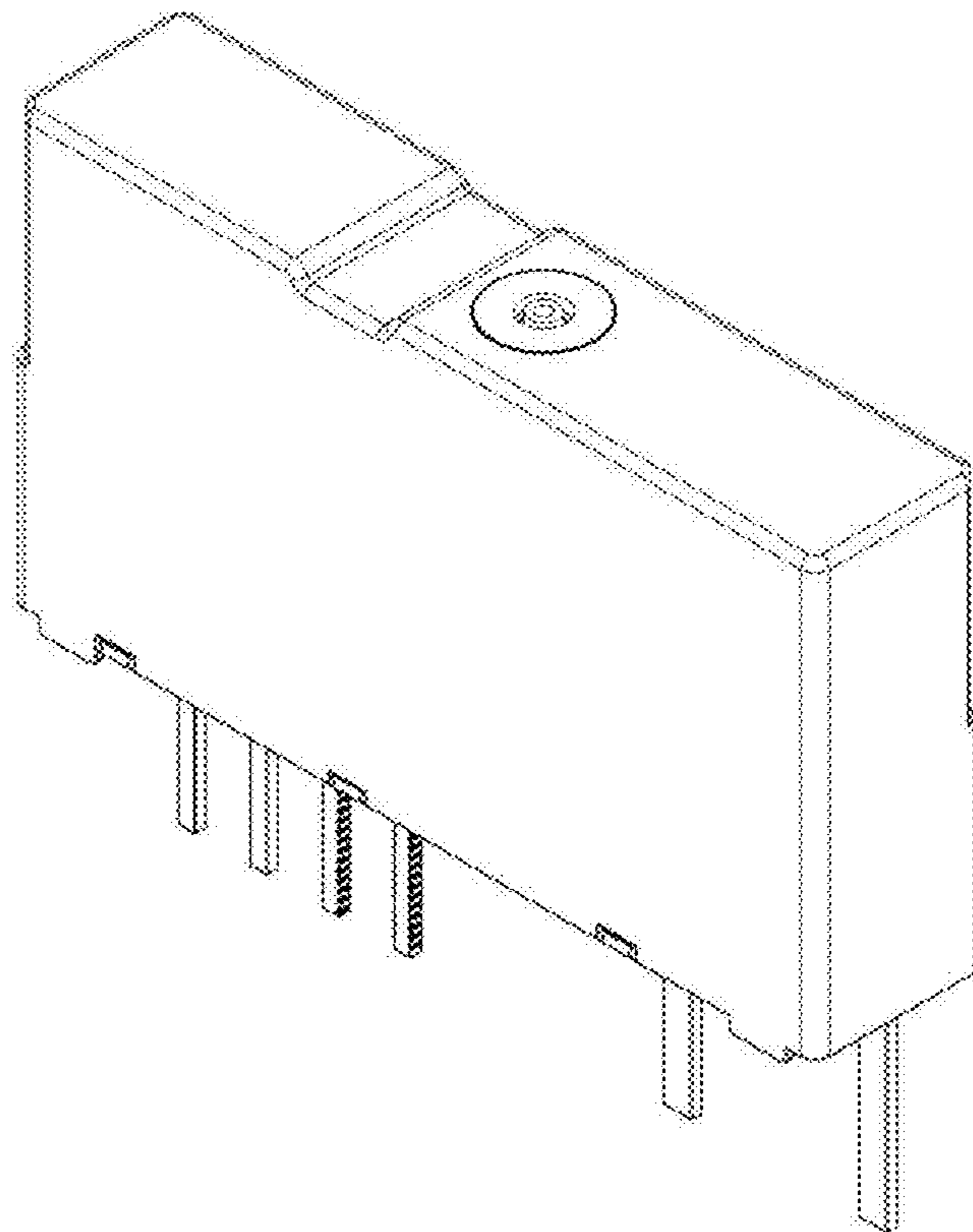
(51) **LOC (10) Cl.** ..... **13-03**

(52) **U.S. Cl.**  
USPC ..... **D13/147**

(58) **Field of Classification Search**  
USPC ..... D13/120, 123, 133, 146, 147, 154, 158,  
D13/159, 184, 199  
CPC ..... H01R 9/24; H01R 9/26; H01R 13/582;  
H01R 13/627; H01R 13/629; H01R 13/73  
See application file for complete search history.

FIG. 1 is a top left front perspective view of an electrical connector showing my new design;  
FIG. 2 is a top plan view thereof;  
FIG. 3 is a rear elevational view thereof;  
FIG. 4 is a right side elevational view thereof;  
FIG. 5 is a front elevational view thereof;  
FIG. 6 is a left side elevational view thereof; and,  
FIG. 7 is a bottom plan view thereof.  
The broken lines in FIG. 7 drawing view is included for the purpose of illustrating environment and forms no part of the claimed design.

**1 Claim, 7 Drawing Sheets**



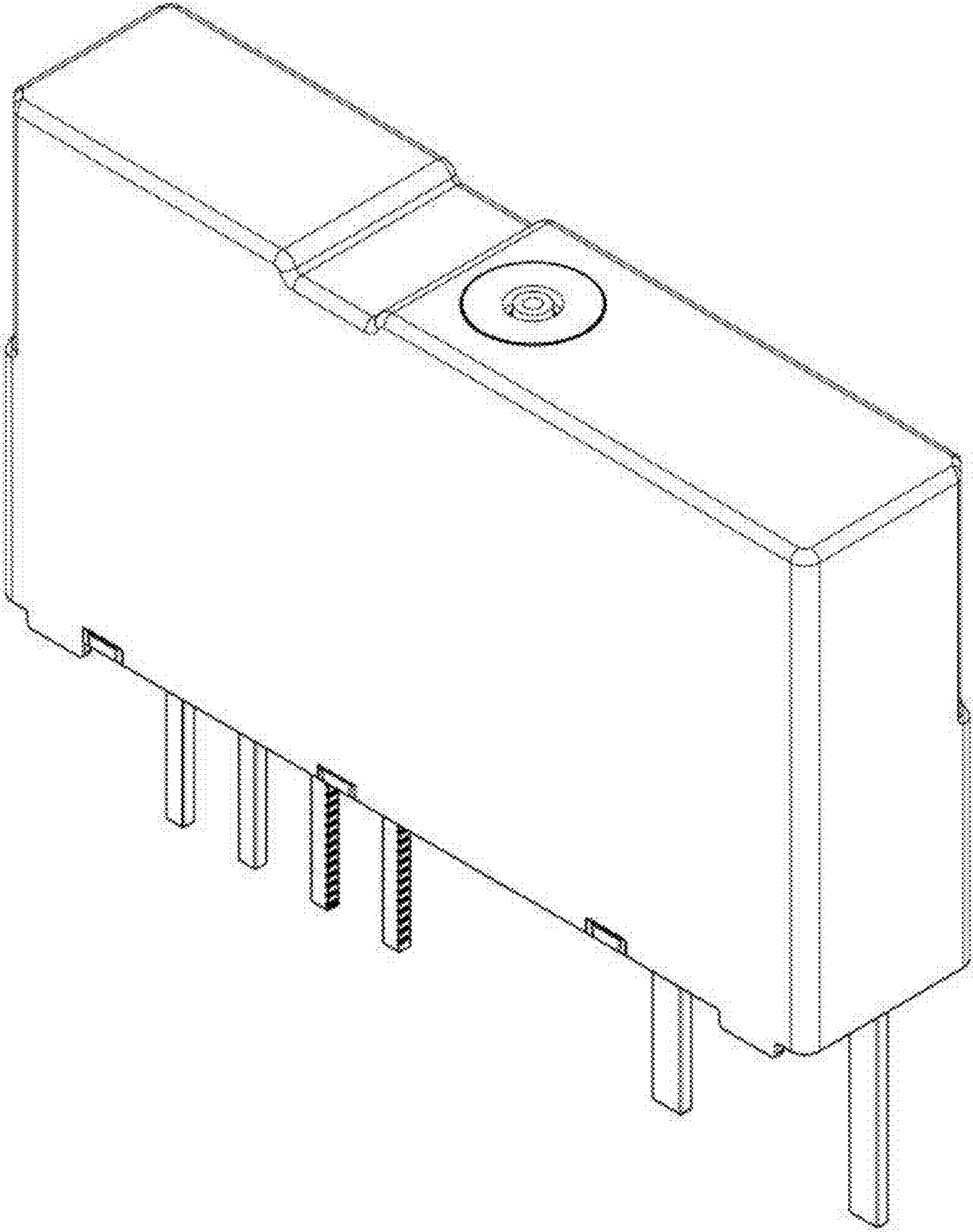


Fig. 1

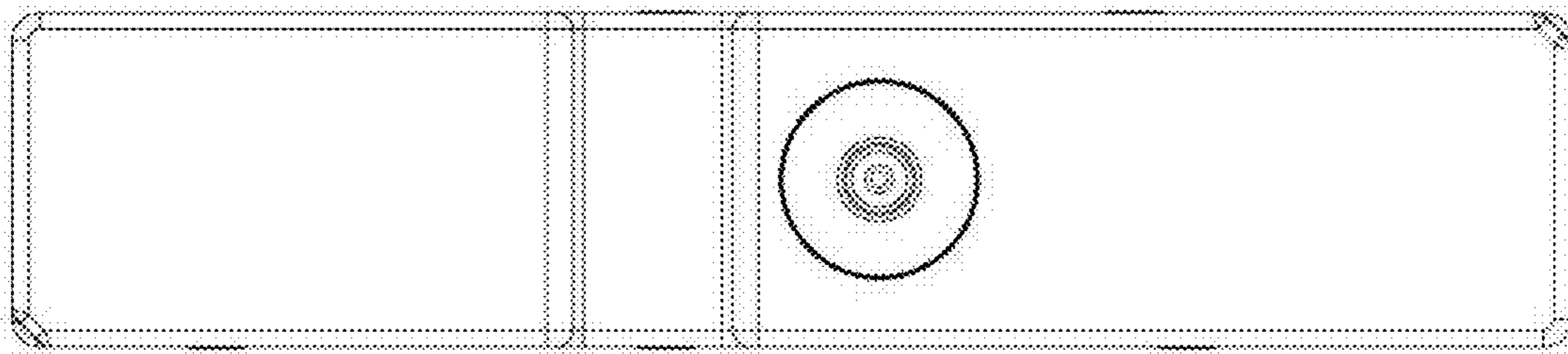


Fig. 2

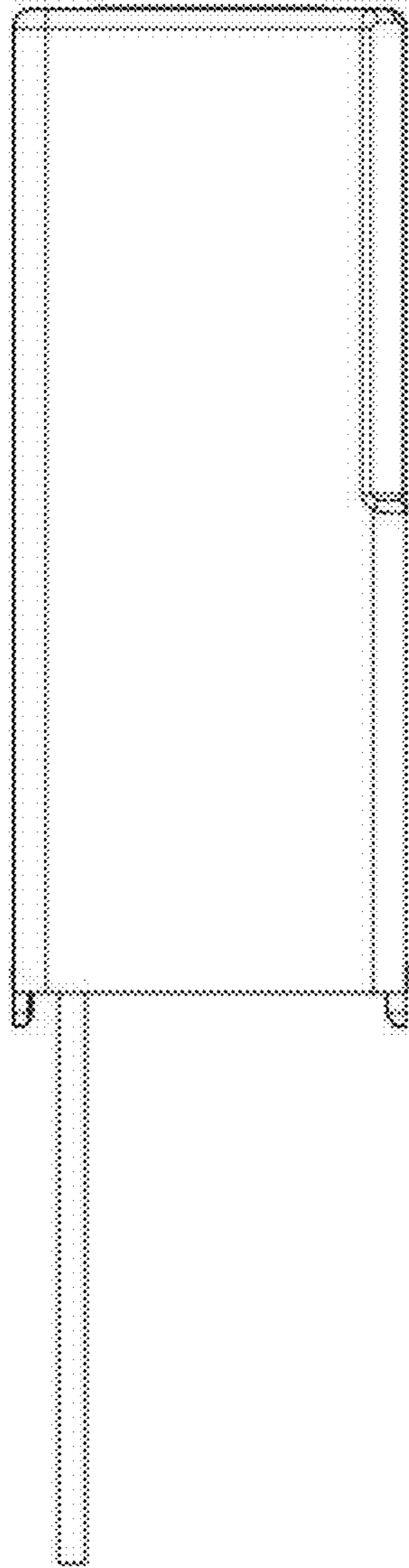


Fig. 3

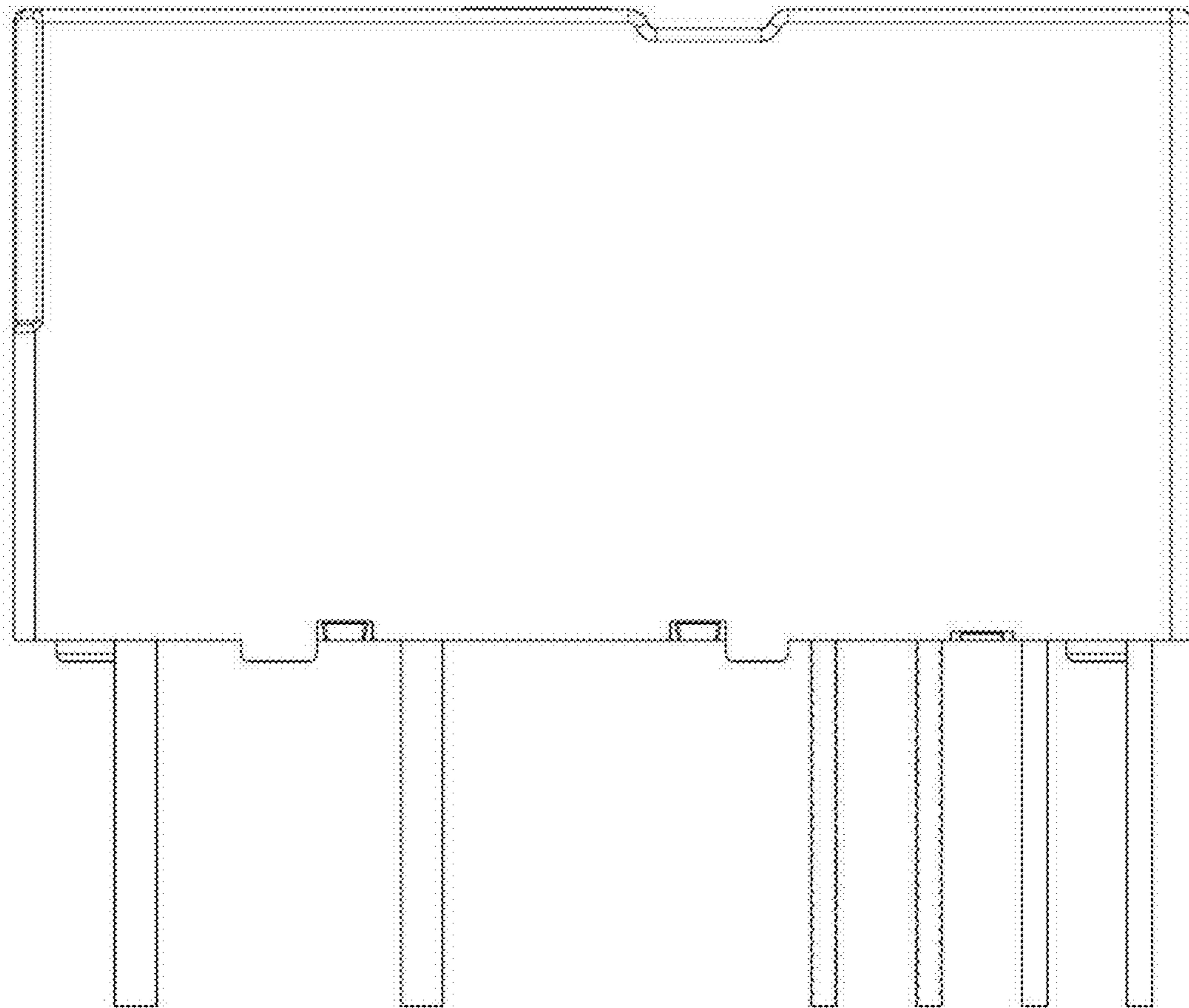


Fig. 4

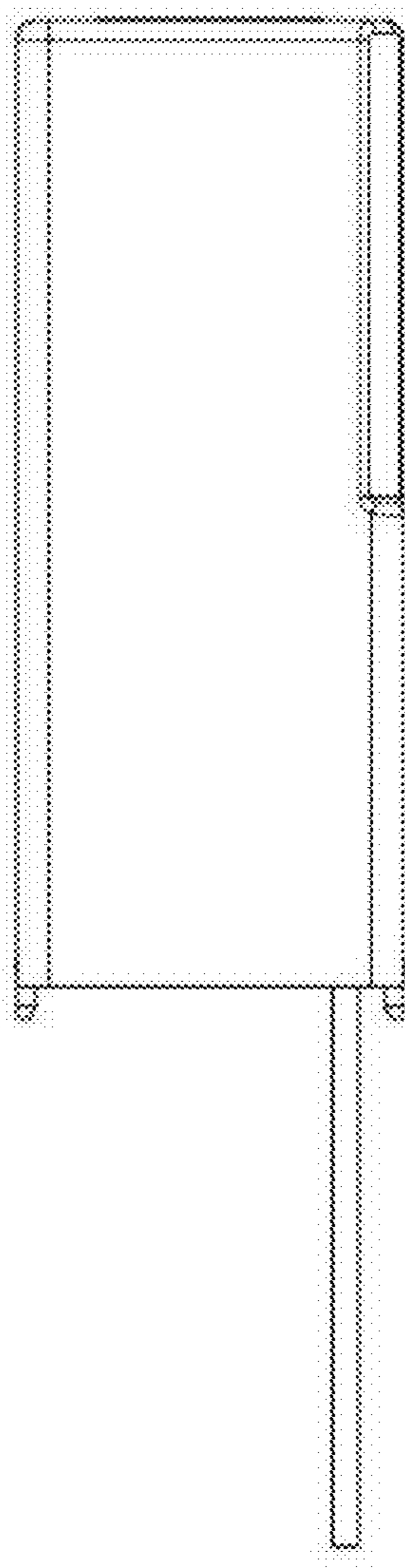


Fig. 5

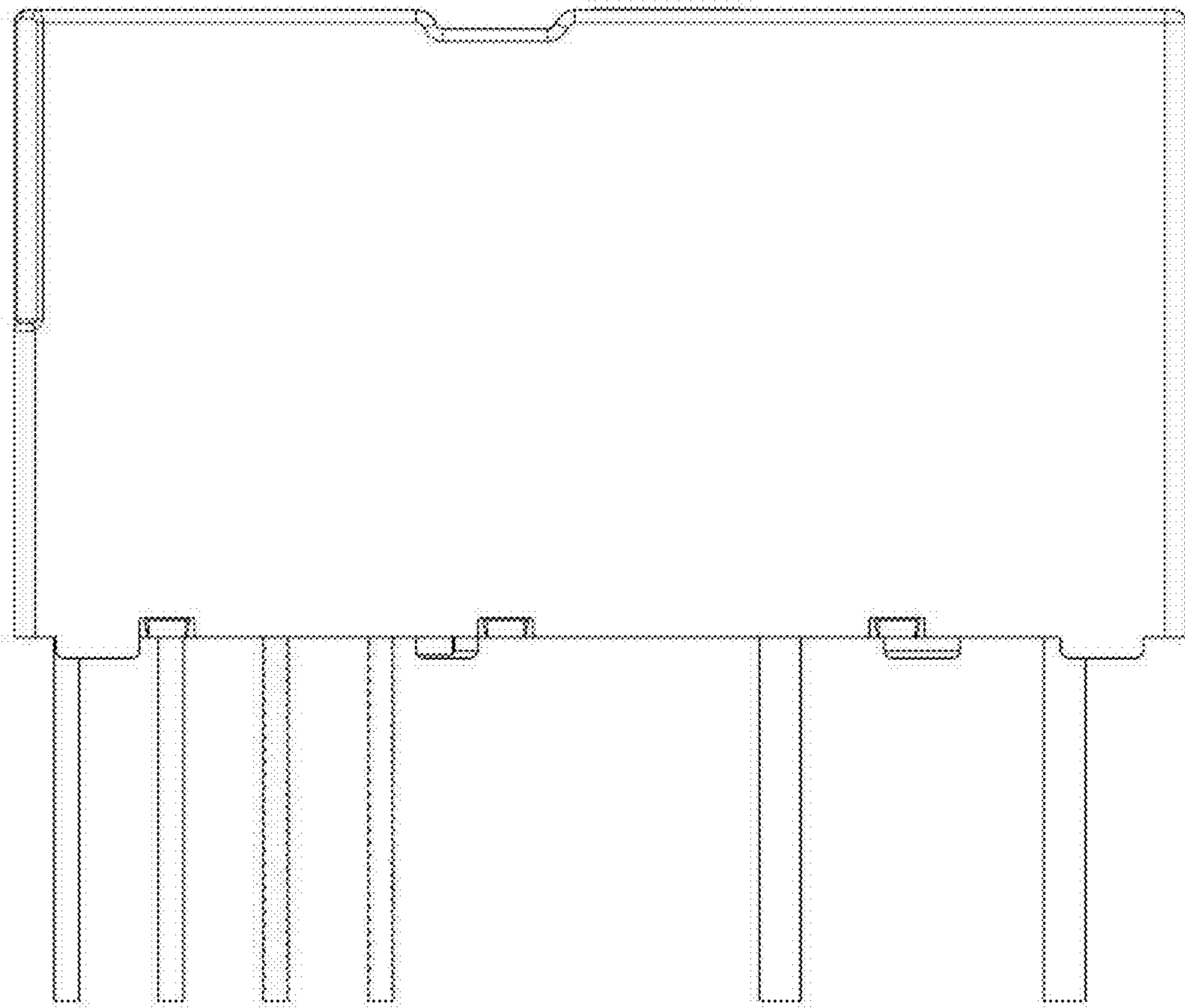


Fig. 6

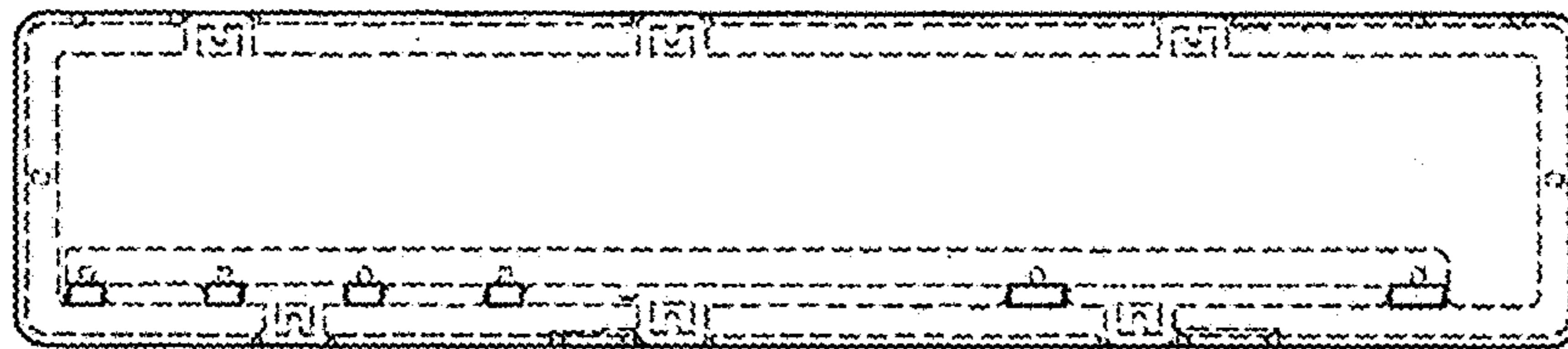


Fig. 7