

US00D804419S

(12) **United States Design Patent** (10) **Patent No.:** **US D804,419 S**  
**Hayes et al.** (45) **Date of Patent:** **\*\* Dec. 5, 2017**

(54) **DESKTOP RECEPTACLE**  
(71) Applicant: **Group Dekko, Inc.**, Garrett, IN (US)  
(72) Inventors: **Daniel Hayes**, Kendallville, IN (US);  
**Raymond Riner**, Fort Wayne, IN (US)  
(73) Assignee: **Group Dekko, Inc.**, Garrett, IN (US)  
(\*\*) Term: **15 Years**

(21) Appl. No.: **29/585,317**  
(22) Filed: **Nov. 22, 2016**  
(51) **LOC (10) Cl.** ..... **13-03**  
(52) **U.S. Cl.**  
USPC ..... **D13/139.4**  
(58) **Field of Classification Search**  
USPC ..... D13/108-110, 133, 137.1-137.4,  
D13/138.1-138.2, 139.1-139.8, 152-154,  
D13/156, 173, 177, 151, 146, 147;  
D14/433, 435.1, 432; D8/350-353, 331  
CPC .... H01R 25/00; H01R 25/006; H01R 25/003;  
H01R 9/00; H01R 11/00; H01R 3/00;  
H02J 2007/0062; H05K 5/02  
See application file for complete search history.

(56) **References Cited**

**U.S. PATENT DOCUMENTS**

D506,441 S	6/2005	Lichtscheidl et al.	
D549,654 S	8/2007	Kent et al.	
D560,165 S *	1/2008	Matityahu .....	D13/133
D636,728 S	4/2011	Terleski et al.	
D657,310 S *	4/2012	Fahrendorff .....	D13/110
D661,249 S *	6/2012	Smith .....	D13/110
D678,187 S *	3/2013	Huang .....	D13/103
D682,202 S *	5/2013	Weaver, Jr. ....	D13/108
D682,213 S	5/2013	Byrne et al.	
D708,129 S *	7/2014	Houghton .....	D13/103
D721,328 S *	1/2015	Freeman .....	D13/110
D734,259 S *	7/2015	Cepress .....	D13/110
D740,228 S *	10/2015	Page .....	D13/139.4

D740,229 S	10/2015	Page et al.	
D743,886 S *	11/2015	Nomi .....	D13/108
D744,951 S	12/2015	Oosterman et al.	
D744,953 S *	12/2015	Byrne .....	D13/139.4
D755,128 S	5/2016	Page et al.	
D755,129 S	5/2016	Page et al.	
D756,303 S	5/2016	Kellenberger et al.	

(Continued)

**FOREIGN PATENT DOCUMENTS**

CA	89845	6/2000
CA	90677	10/2000

(Continued)

*Primary Examiner* — Rosemary K Tarcza  
*Assistant Examiner* — Christy Nemeth  
(74) *Attorney, Agent, or Firm* — Taylor IP, P.C.

(57) **CLAIM**

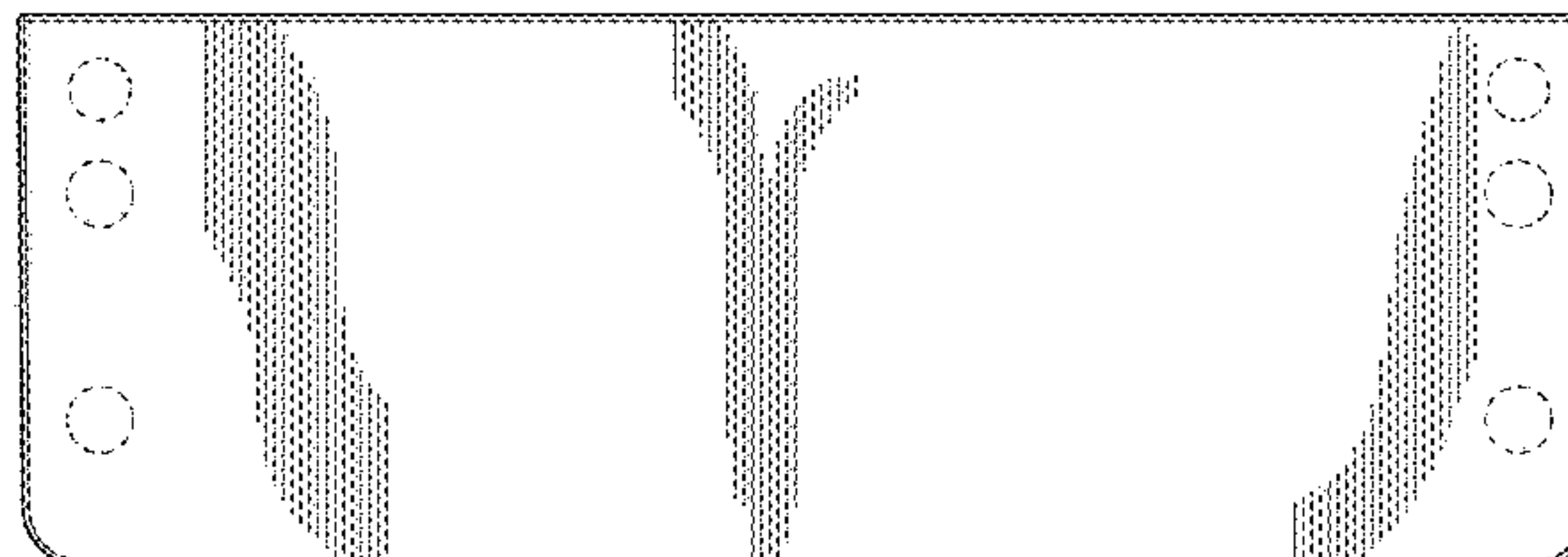
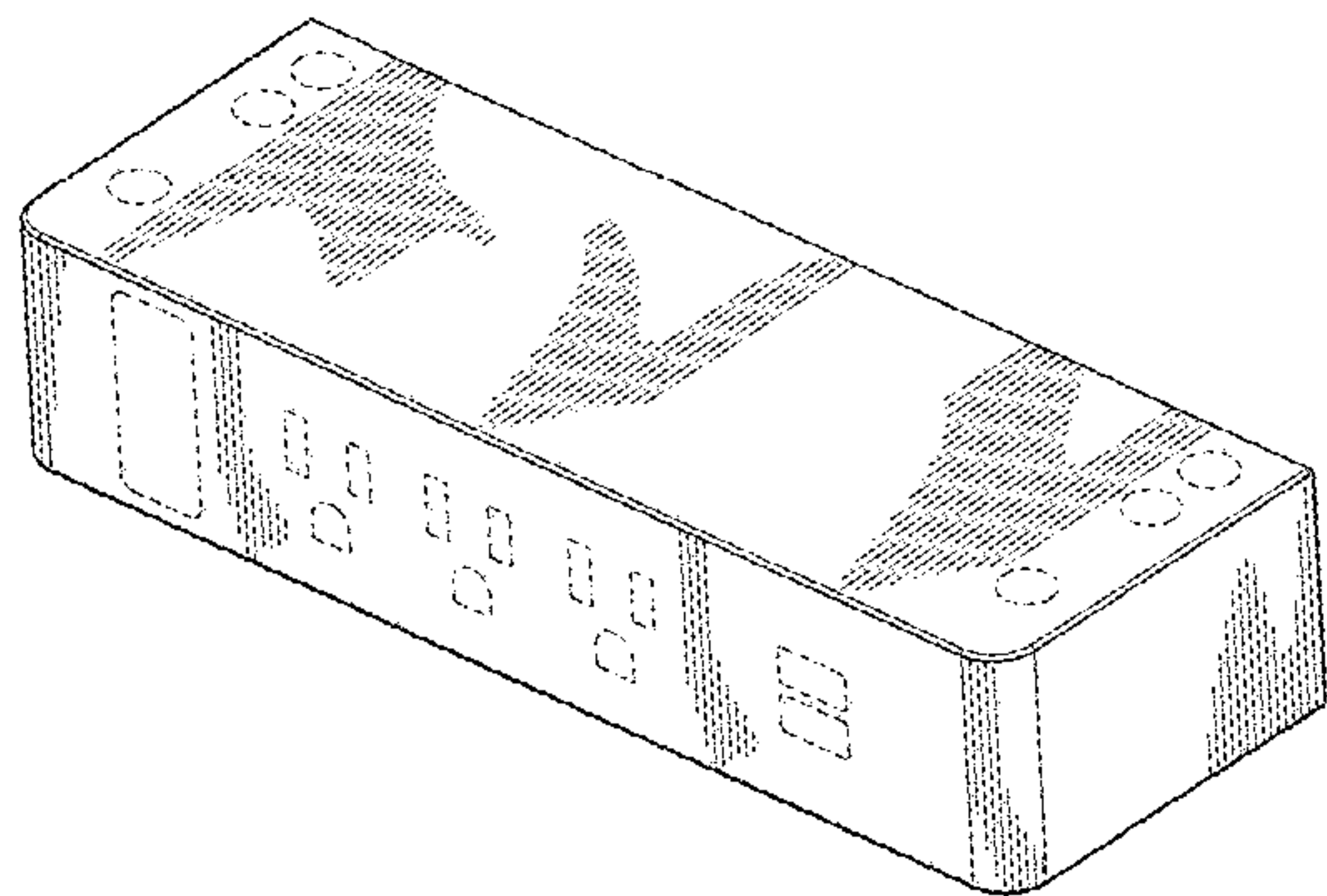
The ornamental design for a desktop receptacle, as shown and described.

**DESCRIPTION**

FIG. 1 is a perspective view of a first embodiment of a desktop receptacle showing our new design;  
FIG. 2 is a front view thereof;  
FIG. 3 is a rear view thereof;  
FIG. 4 is a top view thereof;  
FIG. 5 is a bottom view thereof;  
FIG. 6 is a side view thereof;  
FIG. 7 is another side view thereof, opposite the side shown in FIG. 6;  
FIG. 8 is a perspective view of a second embodiment of the desktop receptacle; and,  
FIG. 9 is a front view of the desktop receptacle shown in FIG. 8.

The broken lines in the drawings are for the purpose of illustrating portions of the desktop receptacle that form no part of the claimed design.

**1 Claim, 3 Drawing Sheets**



(56)

**References Cited**

U.S. PATENT DOCUMENTS

D760,647 S \* 7/2016 Chen ..... D13/103  
D761,202 S \* 7/2016 Aber ..... D13/108  
D761,732 S \* 7/2016 Byrne ..... D13/137.2  
D763,790 S \* 8/2016 Lei ..... D13/108  
D775,080 S \* 12/2016 Newhouse ..... D13/139.4  
D795,190 S \* 8/2017 Tzeng ..... D13/110

FOREIGN PATENT DOCUMENTS

CA 92428 5/2001  
CA 104972 5/2005  
CA 104970 7/2005  
CA 113176 4/2007  
CA 113184 4/2007

\* cited by examiner

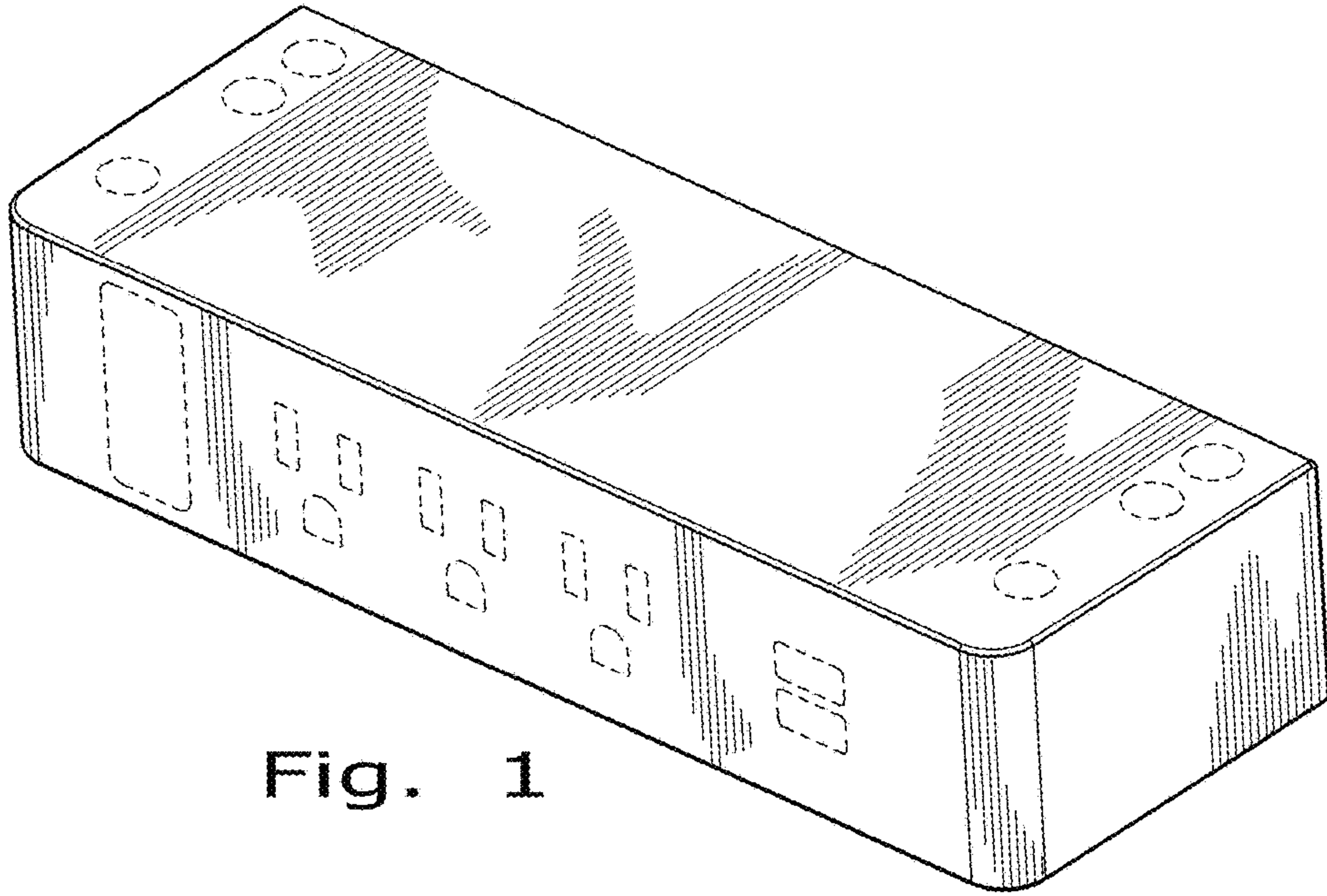


Fig. 1

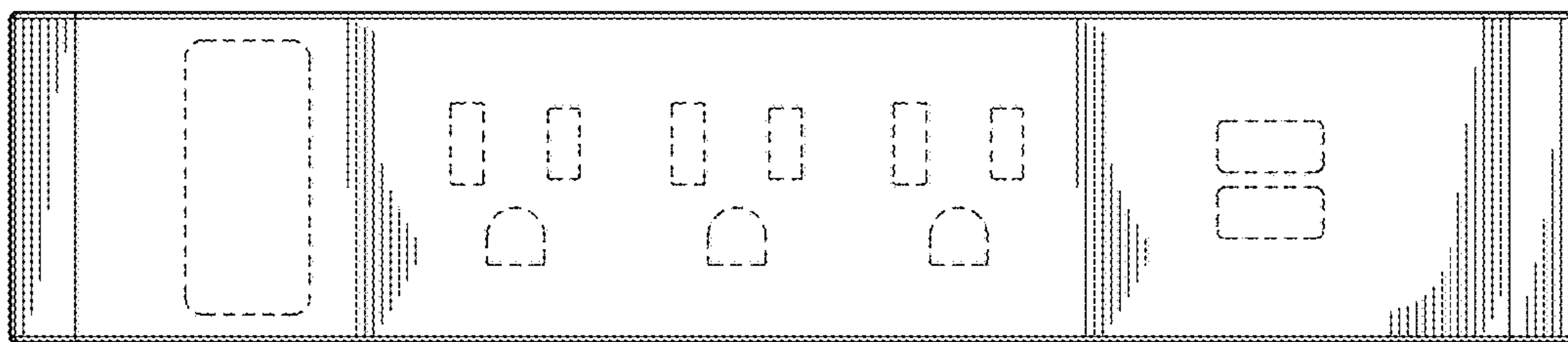


Fig. 2

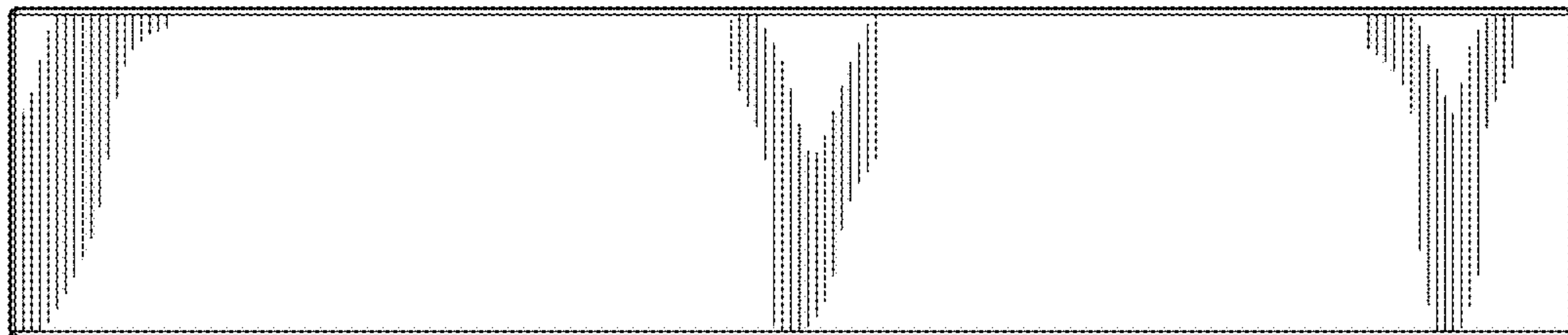


Fig. 3

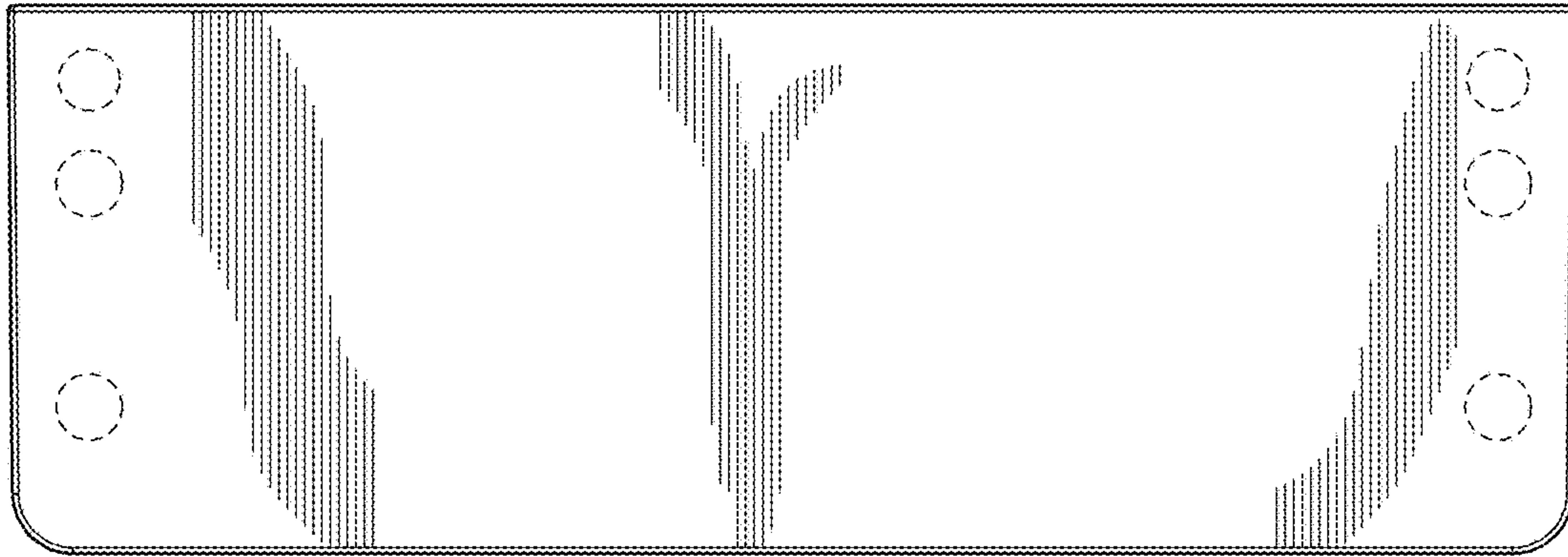


Fig. 4

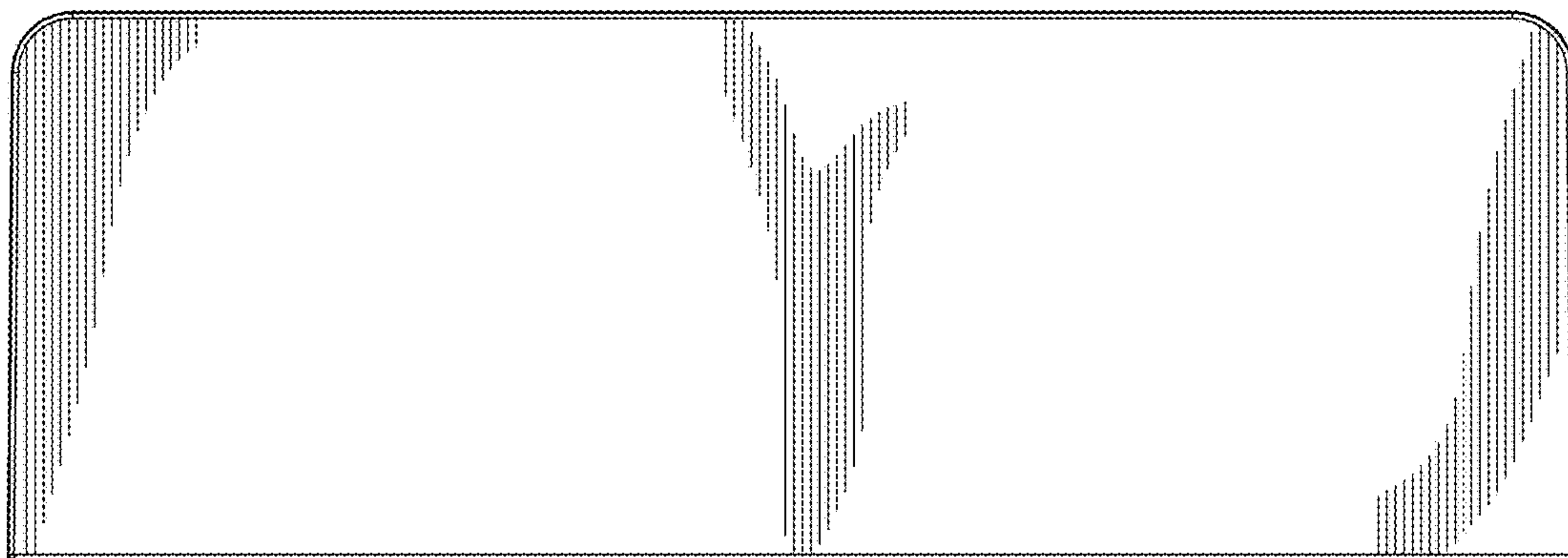


Fig. 5

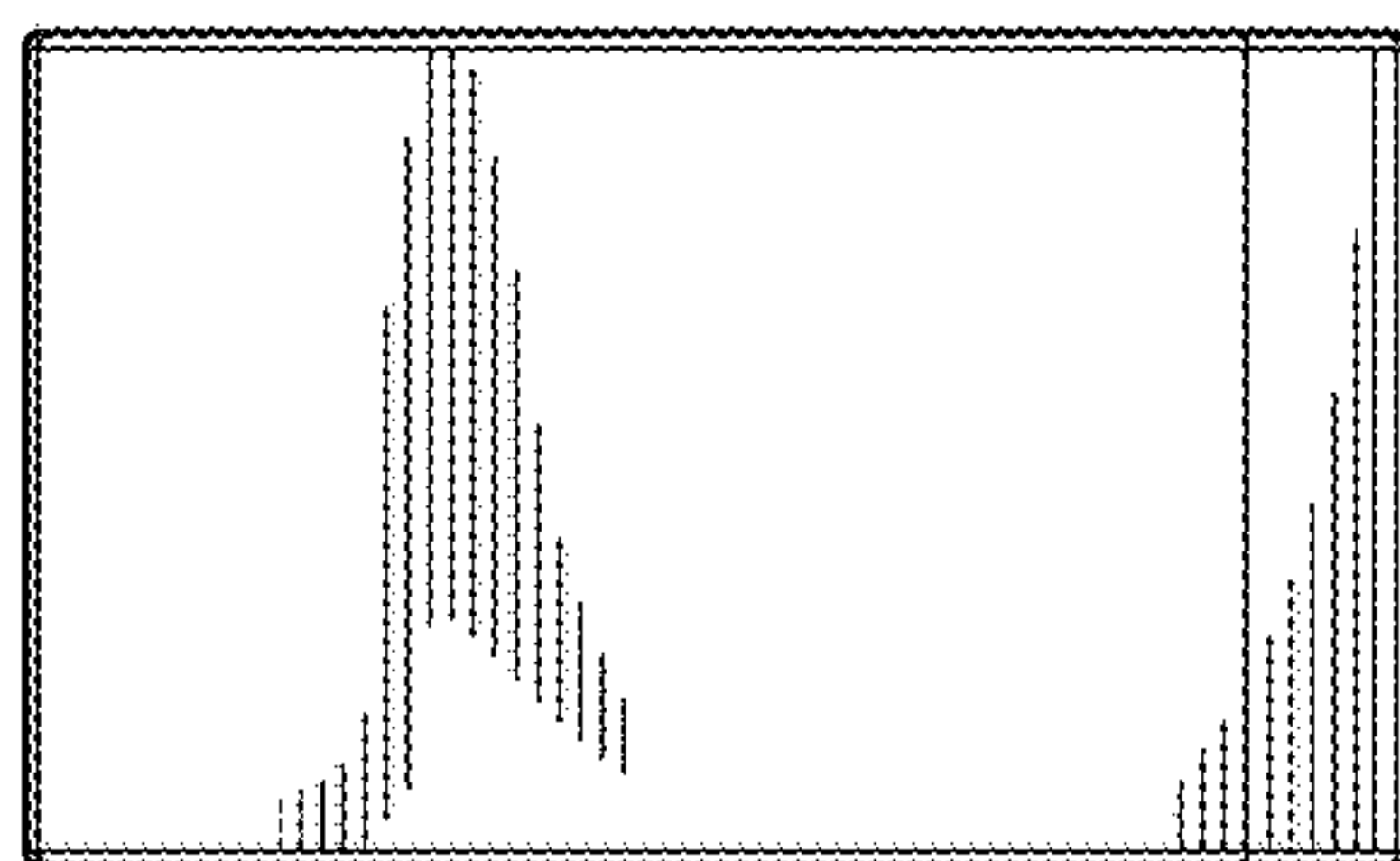


Fig. 6

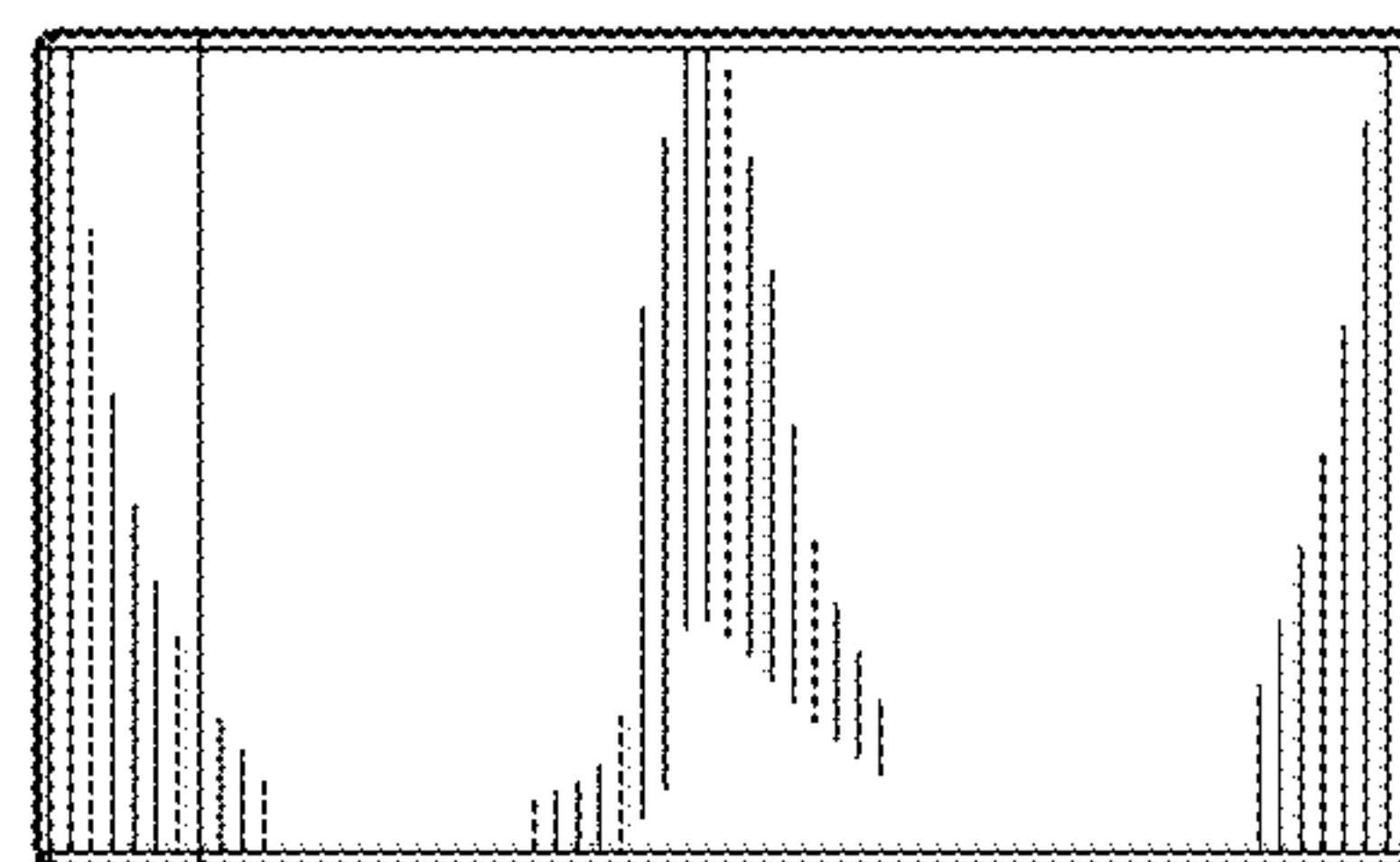


Fig. 7



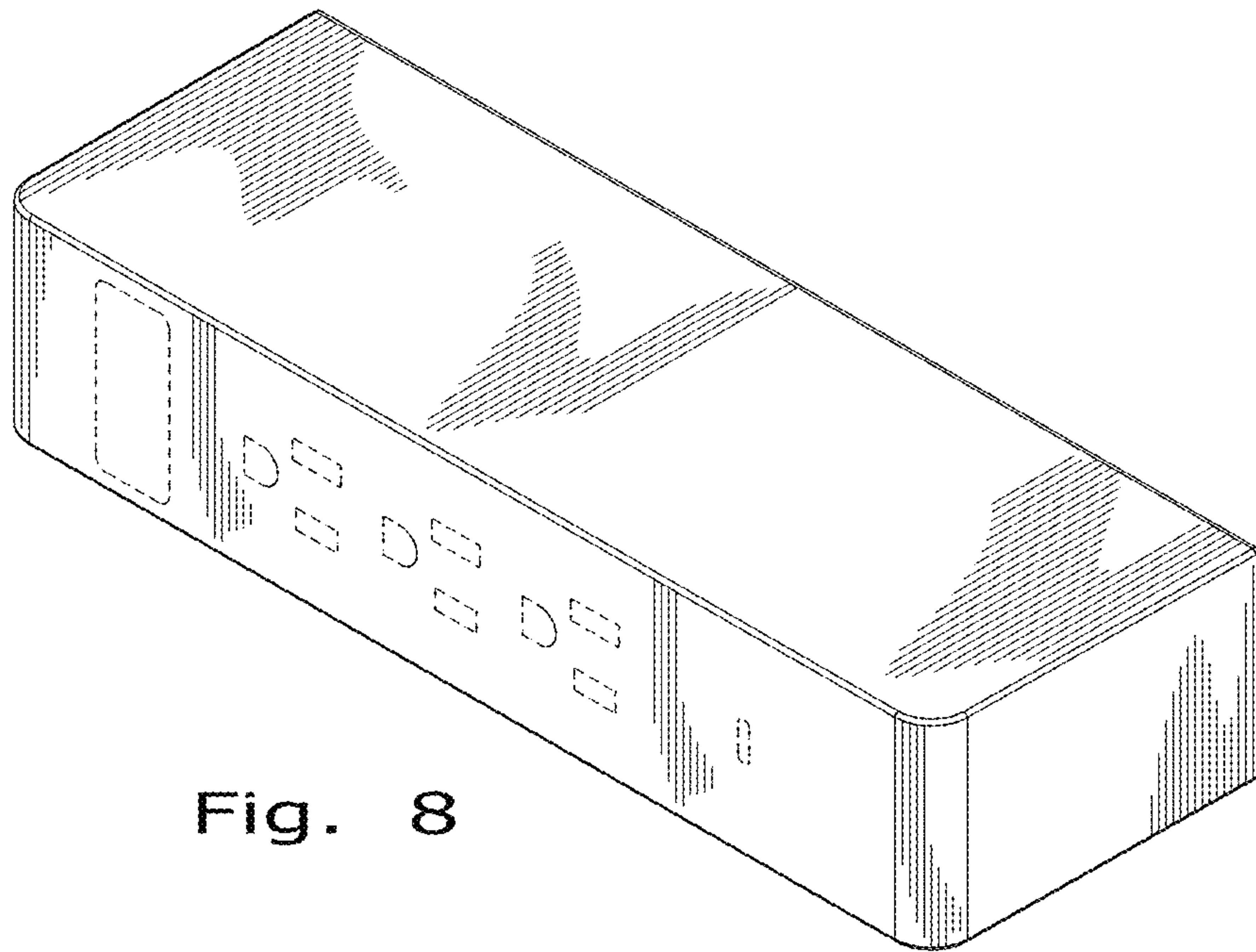


Fig. 8

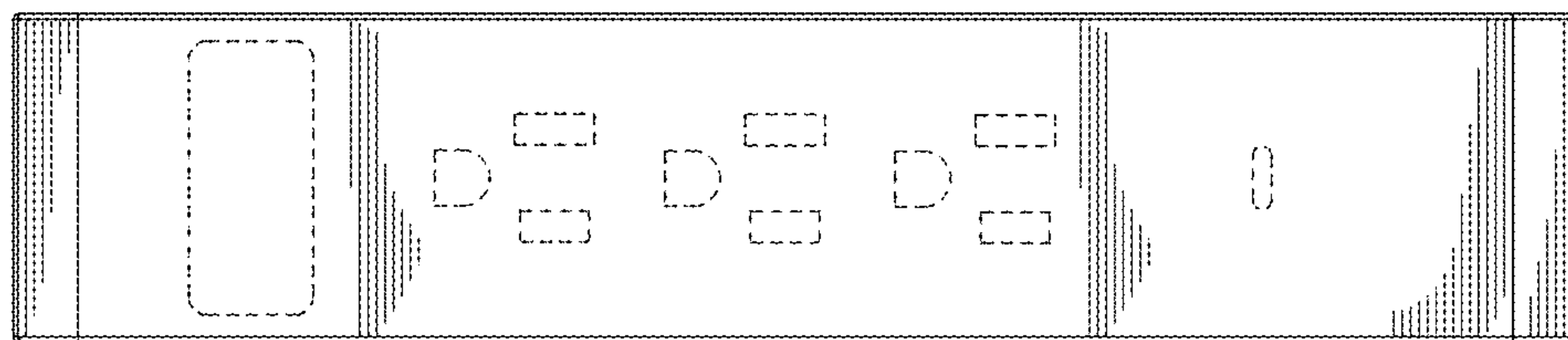


Fig. 9