



US00D804418S

(12) **United States Design Patent** (10) **Patent No.:** **US D804,418 S**  
**Yamamoto et al.** (45) **Date of Patent:** **\*\* Dec. 5, 2017**

(54) **RECHARGEABLE BATTERY** D582,341 S \* 12/2008 Koenecke ..... D13/103  
7,746,029 B2 \* 6/2010 Toya ..... H02J 7/0042  
(71) Applicant: **GS YUASA INTERNATIONAL LTD.,** 320/107  
Kyoto (JP) 7,782,244 B2 \* 8/2010 McRae ..... G06F 3/01  
(72) Inventors: **Yuichiro Yamamoto, Kyoto (JP);** D692,823 S \* 11/2013 Tanaka ..... D13/103  
**Shogo Tsuruta, Kyoto (JP)** D752,510 S \* 3/2016 Lin ..... D13/103  
D769,814 S \* 10/2016 Lin ..... D13/103  
(73) Assignee: **GS Yuasa International Ltd., Kyoto** D770,381 S \* 11/2016 Lin ..... D13/103  
(JP) D780,112 S \* 2/2017 Lin ..... D13/103  
(Continued)

(\*\*) Term: **15 Years**

*Primary Examiner* — Rhea Shields

(21) Appl. No.: **35/501,172**

(74) *Attorney, Agent, or Firm* — Capitol City TechLaw

(22) Filed: **Jan. 7, 2016**

(57) **CLAIM**

The ornamental design for a rechargeable battery, as shown and described.

(80) **Hague Agreement Data**

Int. Filing Date: **Jan. 7, 2016**  
Int. Reg. No.: **DM/090524**  
Int. Reg. Date: **Jan. 7, 2016**  
Int. Reg. Pub. Date: **Jul. 8, 2016**

**DESCRIPTION**

(30) **Foreign Application Priority Data**

Jul. 14, 2015 (JP) ..... 2015-015680  
Jul. 14, 2015 (JP) ..... 2015-015681  
Jul. 14, 2015 (JP) ..... 2015-015682

- 1. Rechargeable battery
- 1.1 : Front, top and right side perspective view
- 1.2 : Front
- 1.3 : Top
- 1.4 : Right
- 1.5 : Enlarged partial view of fig. 1.1
- 1.6 : Enlarged partial view of fig. 1.2
- 1.7 : Enlarged partial view of fig. 1.3
- 1.8 : Enlarged partial view of fig. 1.4

(51) **LOC (10) Cl.** ..... **13-02**

(52) **U.S. Cl.**  
USPC ..... **D13/119**

(58) **Field of Classification Search**  
USPC ..... D13/119, 103; 320/115, 107; 340/12.54  
CPC ..... A61M 5/1413; H02J 7/0042; G06F 3/01  
See application file for complete search history.

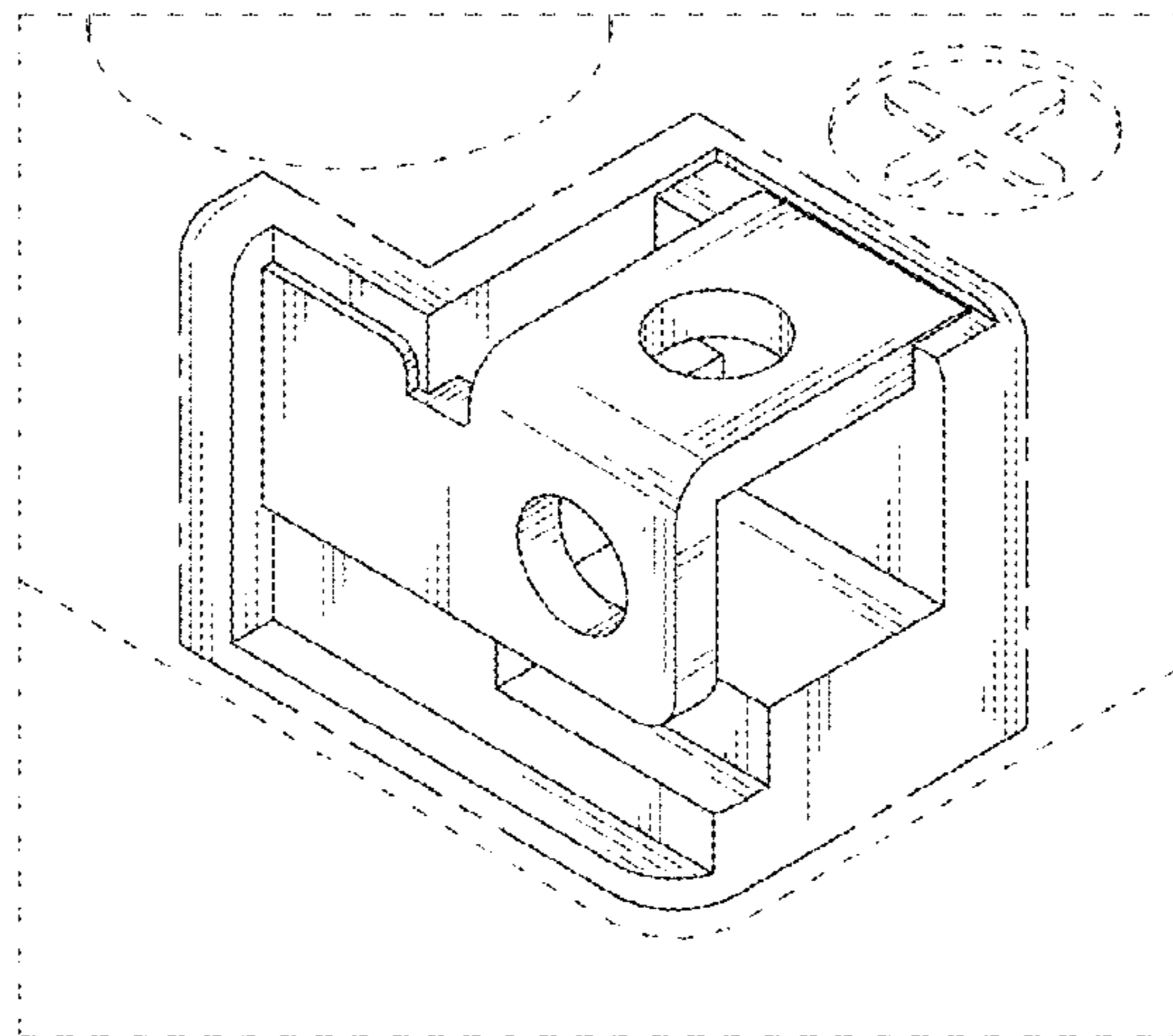
Fig. 1.1 is a front, top and right side perspective view of a rechargeable battery showing our new design; fig. 1.2 is a front view thereof; fig. 1.3 is a top view thereof; fig. 1.4 is a right side view thereof; fig. 1.5 is an enlarged partial view of fig. 1.1; fig. 1.6 is an enlarged partial view of fig. 1.2; fig. 1.7 is an enlarged partial view of fig. 1.3; fig. 1.8 is an enlarged partial view of fig. 1.4; In the drawings, the evenly spaced dash-dash broken lines are for the purpose of illustrating environment only and form no part of the claimed design. In the drawings, the dot-dash broken lines are for the purpose of illustrating unclaimed boundaries and form no part of the claimed design.

(56) **References Cited**

**U.S. PATENT DOCUMENTS**

5,225,763 A \* 7/1993 Krohn ..... A61M 5/1413  
320/115  
D448,003 S \* 9/2001 Ogasawara ..... D13/103

**1 Claim, 8 Drawing Sheets**



(56)

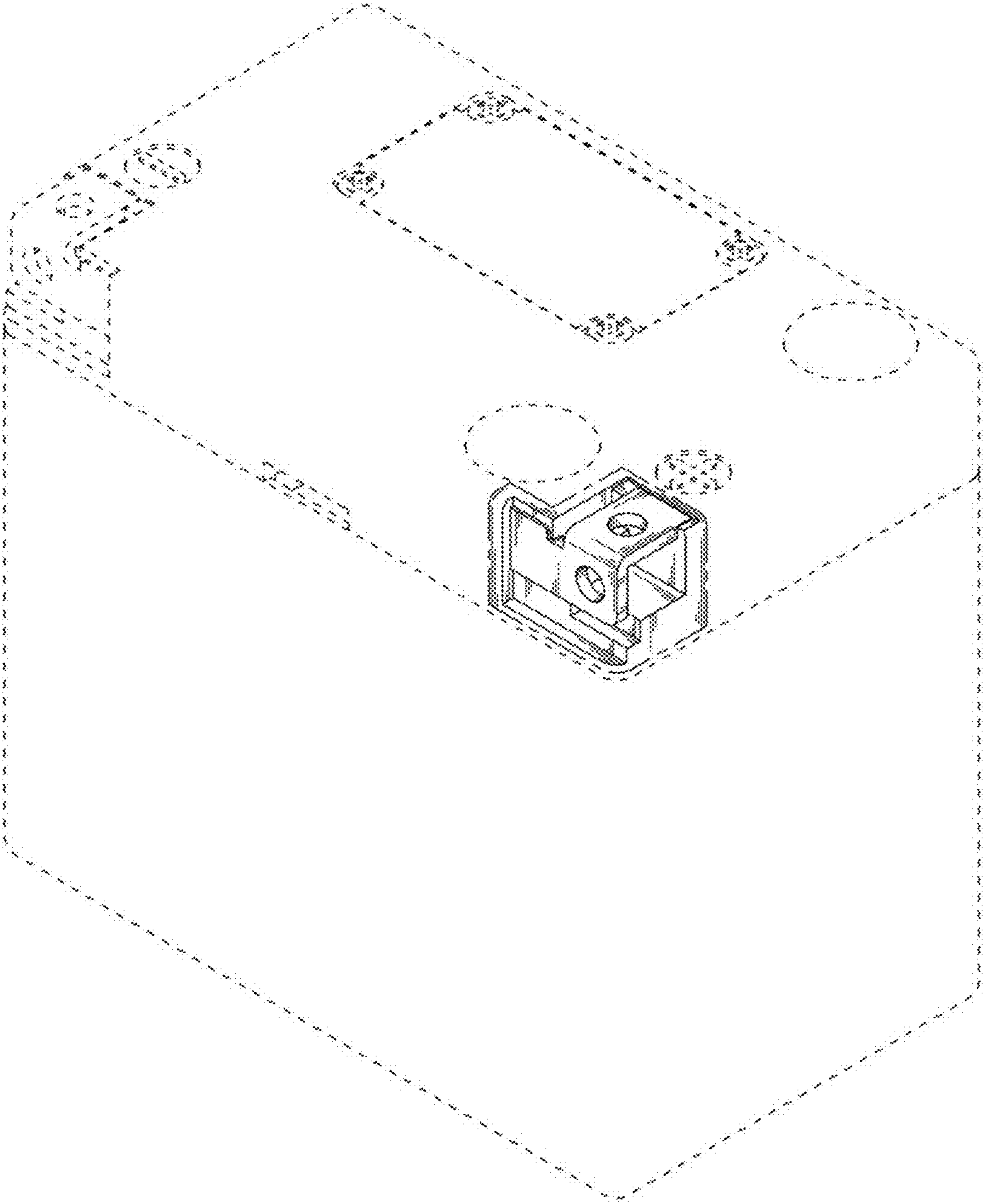
**References Cited**

U.S. PATENT DOCUMENTS

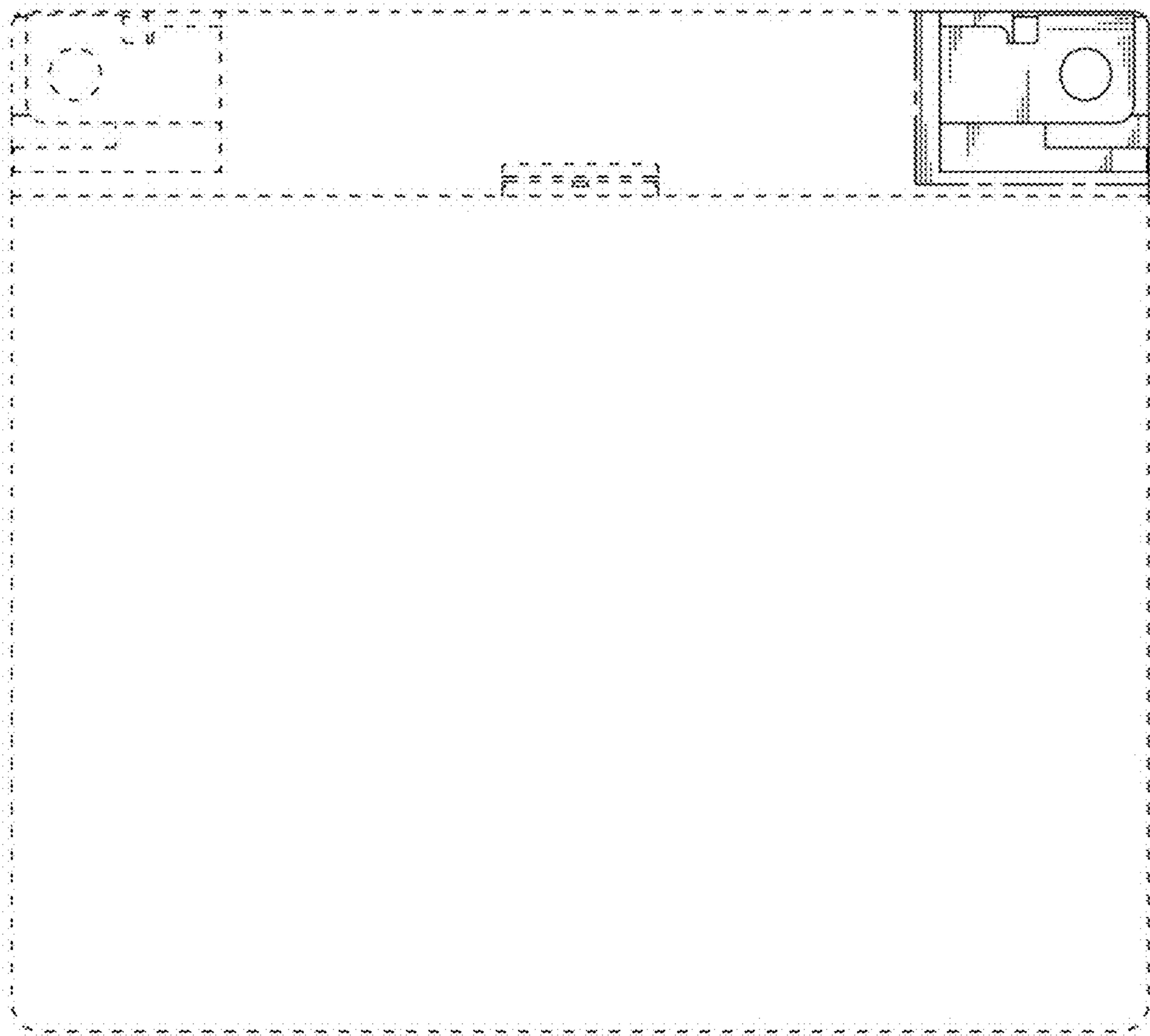
D782,972 S \* 4/2017 Laurino ..... D13/103  
D788,698 S \* 6/2017 Lin ..... D13/103

\* cited by examiner

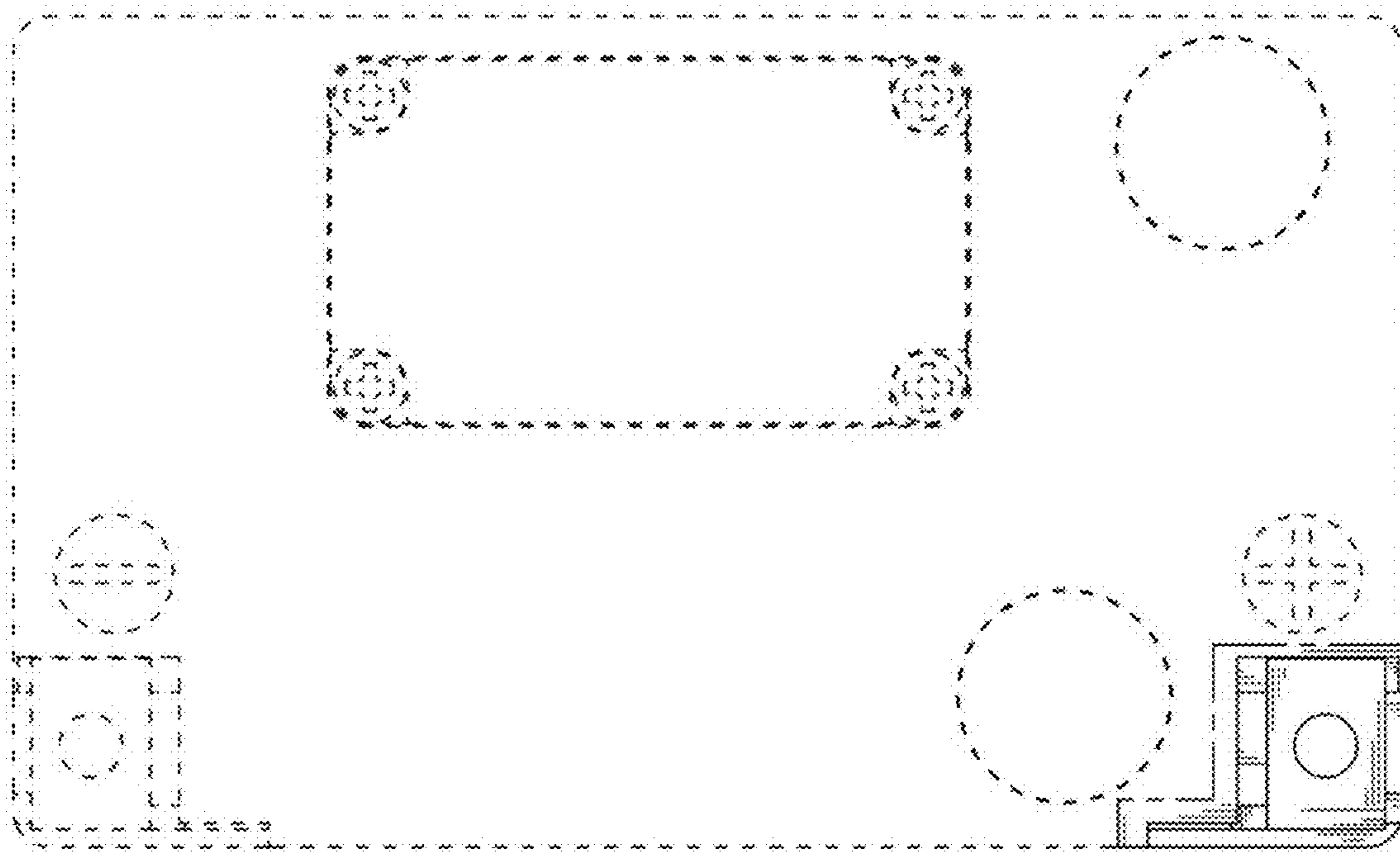
1.1



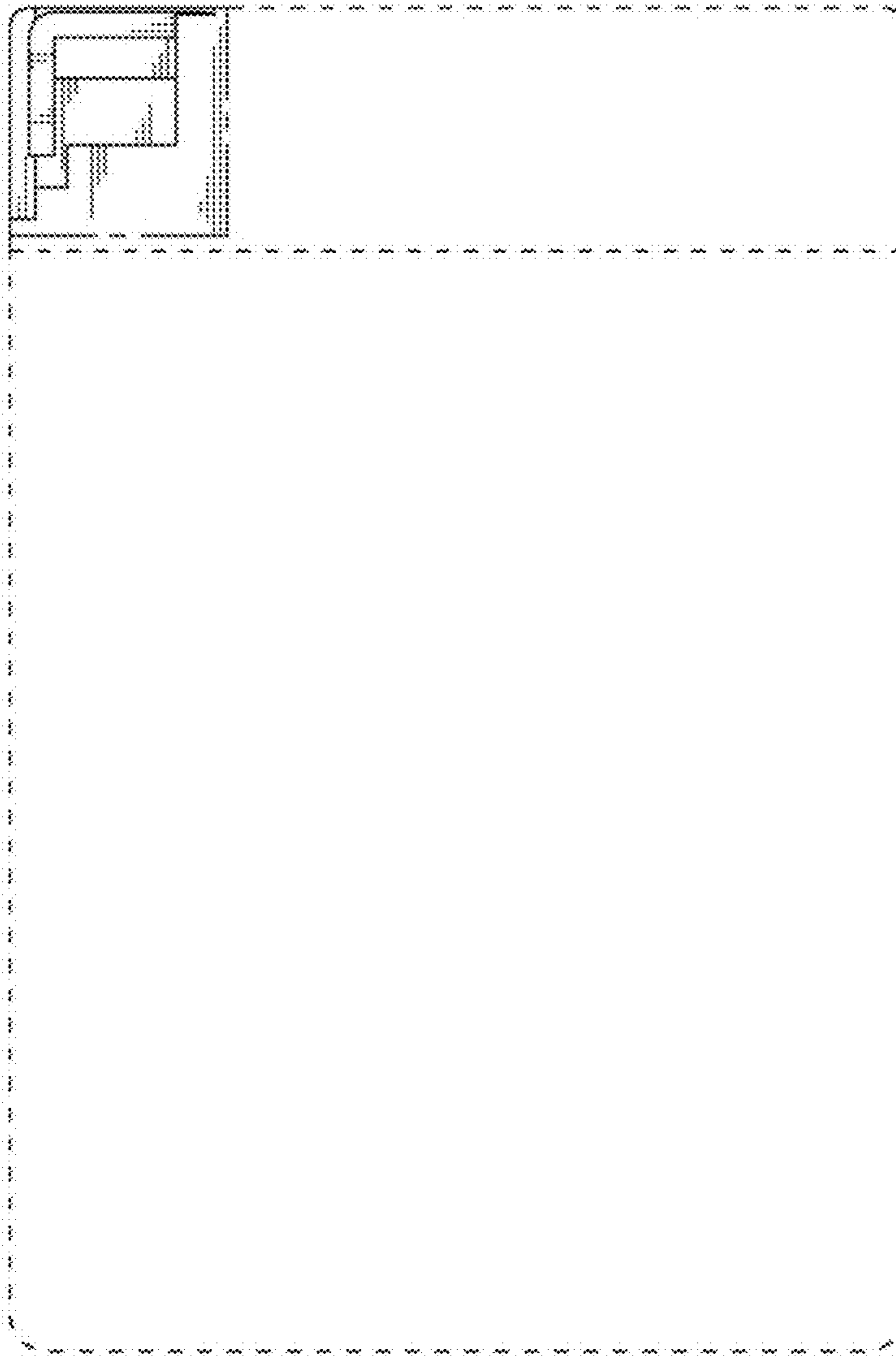
1.2



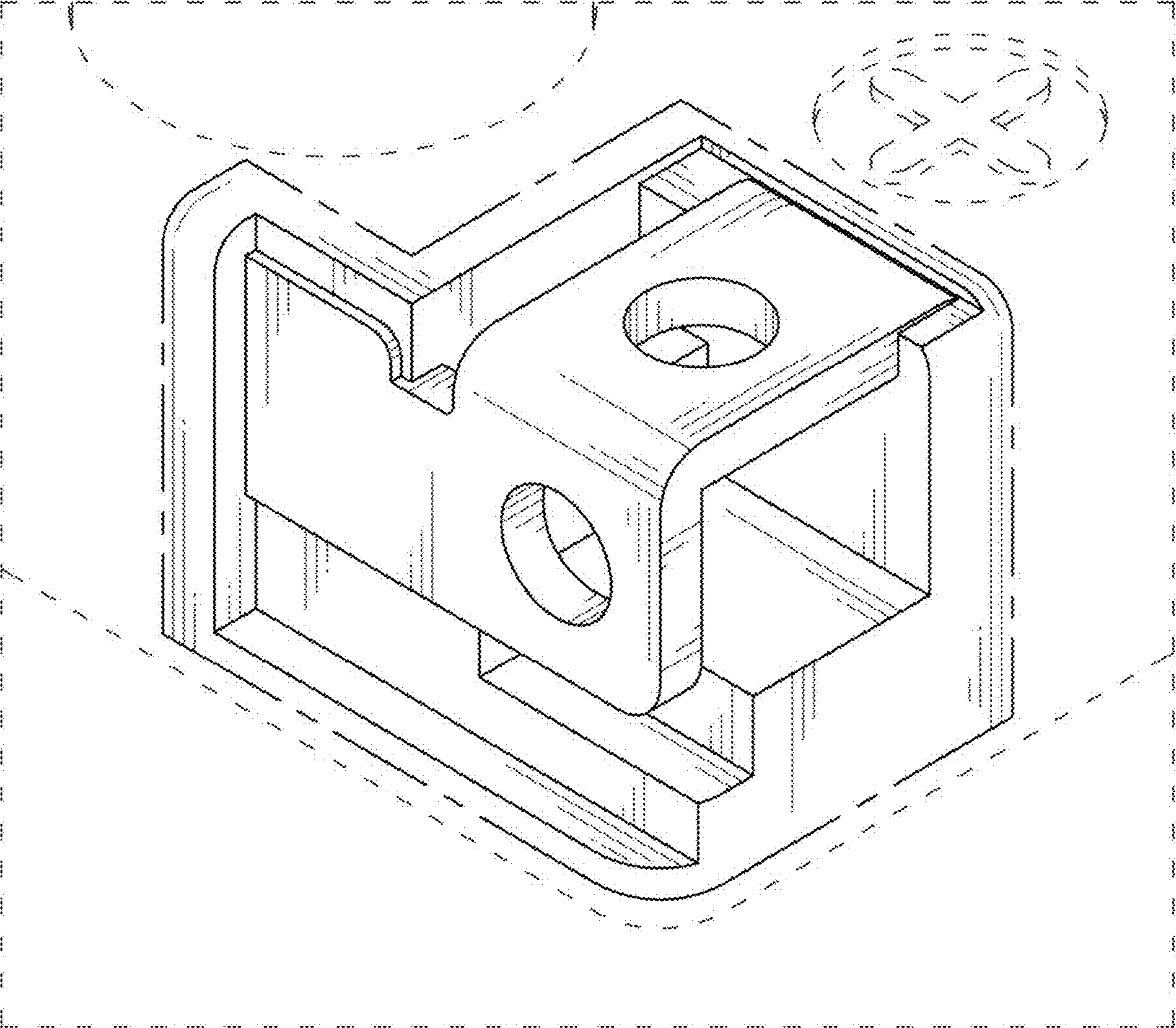
1.3



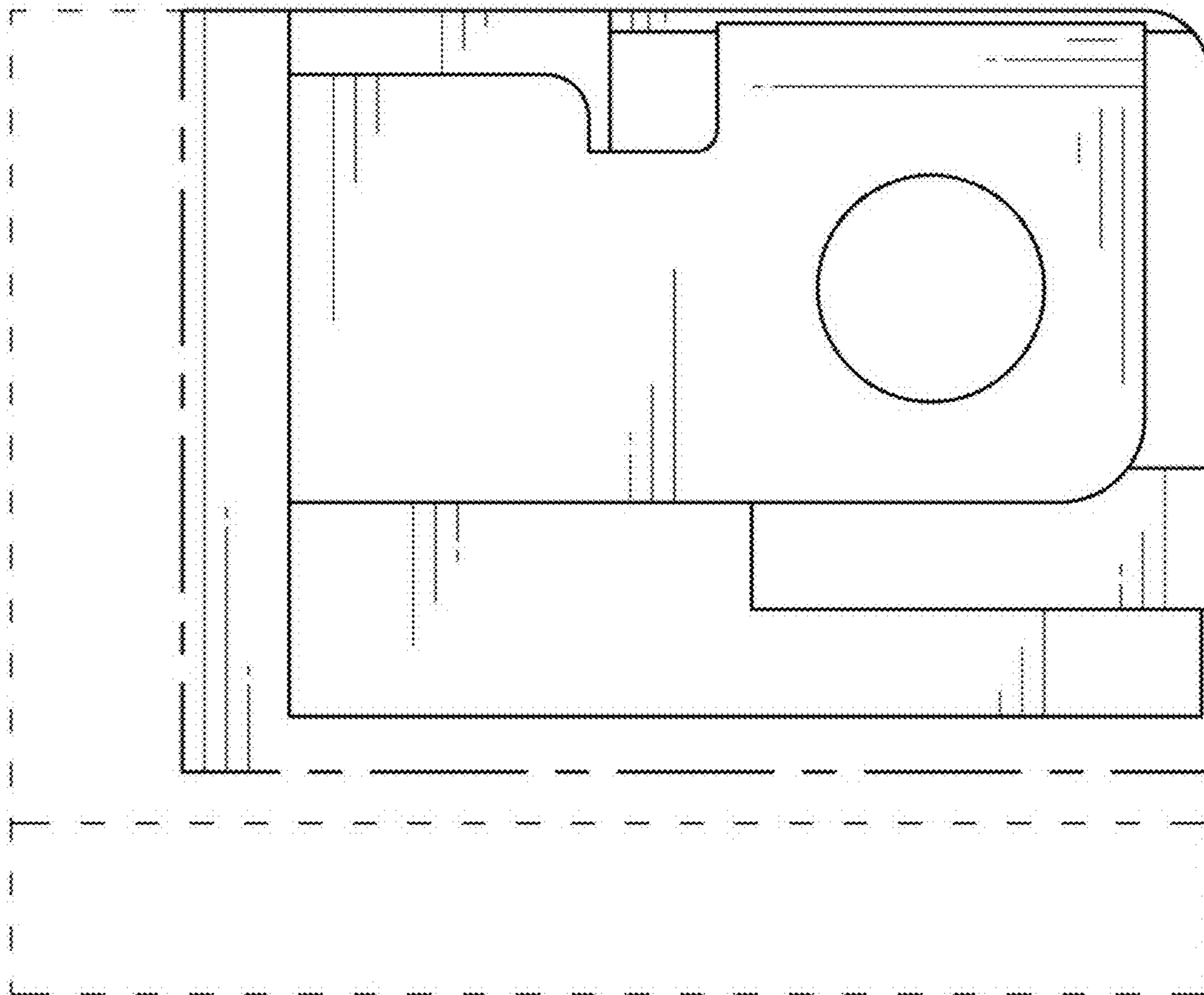
1.4



1.5

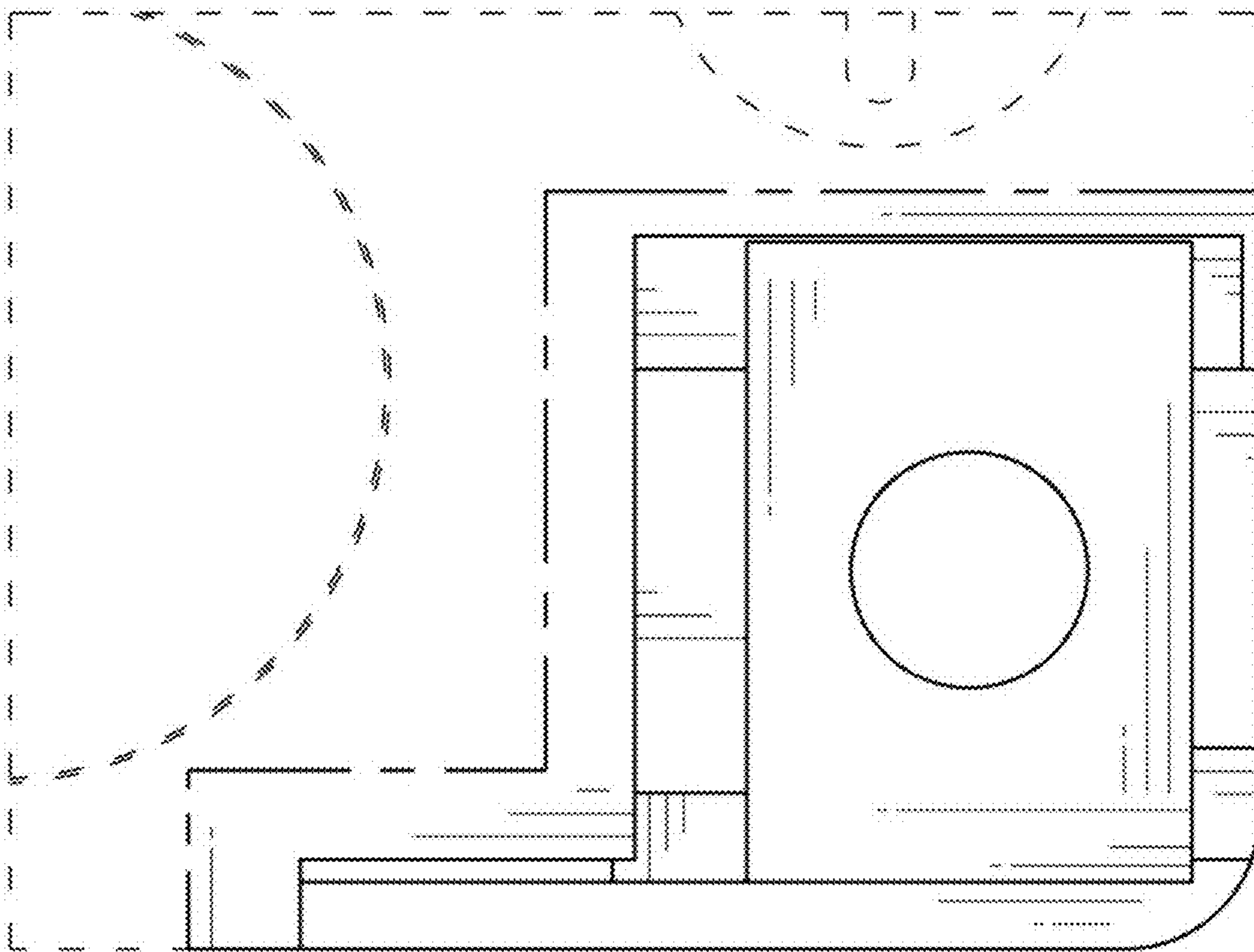


1.6





1.7



1.8

