



US00D804416S

(12) **United States Design Patent**  
**Dilley**

(10) **Patent No.:** **US D804,416 S**

(45) **Date of Patent:** **\*\* Dec. 5, 2017**

(54) **POWER INVERTER**

(71) Applicant: **EPC Power Corporation**, Poway, CA (US)

(72) Inventor: **Devin Dilley**, Lakeside, CA (US)

(73) Assignee: **EPC POWER CORPORATION**, Poway, CA (US)

(\*\*) Term: **14 Years**

(21) Appl. No.: **29/523,432**

(22) Filed: **Apr. 9, 2015**

(51) **LOC (10) Cl.** ..... **13-02**

(52) **U.S. Cl.**  
USPC ..... **D13/110**

(58) **Field of Classification Search**  
USPC ..... D13/110, 101, 123, 162, 164, 184, 199;  
307/150-152; 361/600, 601, 622, 702,  
361/703, 730, 796, 809; 363/141, 142;  
D15/149  
CPC ..... H02M 7/00; H02M 7/02; H02M 7/003;  
H02M 1/10; H05K 5/00; H05K 5/0017;  
H05K 7/00; H05K 7/1427; H05K  
7/20918

See application file for complete search history.

(56) **References Cited**

**U.S. PATENT DOCUMENTS**

D330,701 S *	11/1992	Suzuki	.....	D13/110
D379,963 S *	6/1997	Ikeda	.....	D13/110
D455,399 S *	4/2002	Imamura	.....	D13/110
D548,183 S *	8/2007	Hakala	.....	D13/110
D595,225 S *	6/2009	Juva	.....	D13/110
D656,897 S *	4/2012	Trine	.....	D13/116
D703,136 S *	4/2014	Choi	.....	D13/110
2013/0003299 A1 *	1/2013	Wissner	.....	H02M 7/003 361/695

**OTHER PUBLICATIONS**

SEMIKRON, SEMISTACK RE Optimised Converter for Solar and Wind Product Brochure, May 2014, 2 pages.

Vacon NXP Liquid Cooled AC Drives Brochure, 2014, 24 pages.

\* cited by examiner

*Primary Examiner* — Derrick Holland

(74) *Attorney, Agent, or Firm* — Foley & Lardner LLP

(57) **CLAIM**

I claim the ornamental design for a power inverter, as shown and described.

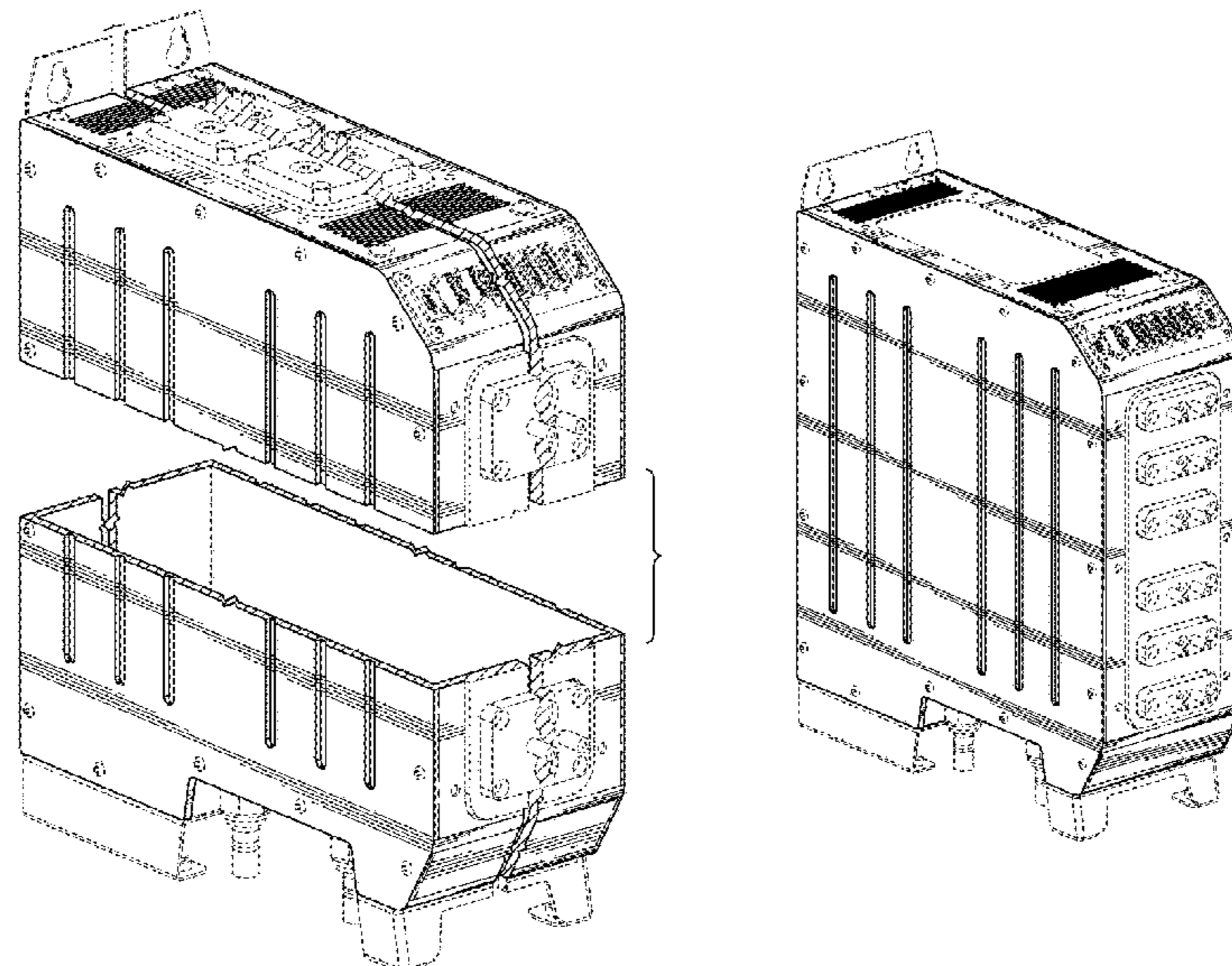
**DESCRIPTION**

FIG. 1 is a front perspective view of a first embodiment of a power inverter showing my new design;  
FIG. 2 is a front view thereof;  
FIG. 3 is a rear view thereof;  
FIG. 4 is a left side view thereof;  
FIG. 5 is a right side view thereof;  
FIG. 6 is a top plan view thereof;  
FIG. 7 is a bottom plan view thereof;  
FIG. 8 is a front perspective view of a second embodiment of a power inverter showing my new design;  
FIG. 9 is a front perspective view of a third embodiment of a power inverter showing my new design;  
FIG. 10 is a front perspective view of a fourth embodiment of a power inverter showing my new design; and,  
FIG. 11 is a front perspective view of a fifth embodiment of a power inverter showing my new design.

The broken lines shown represent unclaimed subject matter and form no part of the claimed design.

Symbolic break lines having a jagged element show that no particular length of the portion is claimed, such lines and any portion of the article between such lines form no part of the claimed design.

**1 Claim, 11 Drawing Sheets**



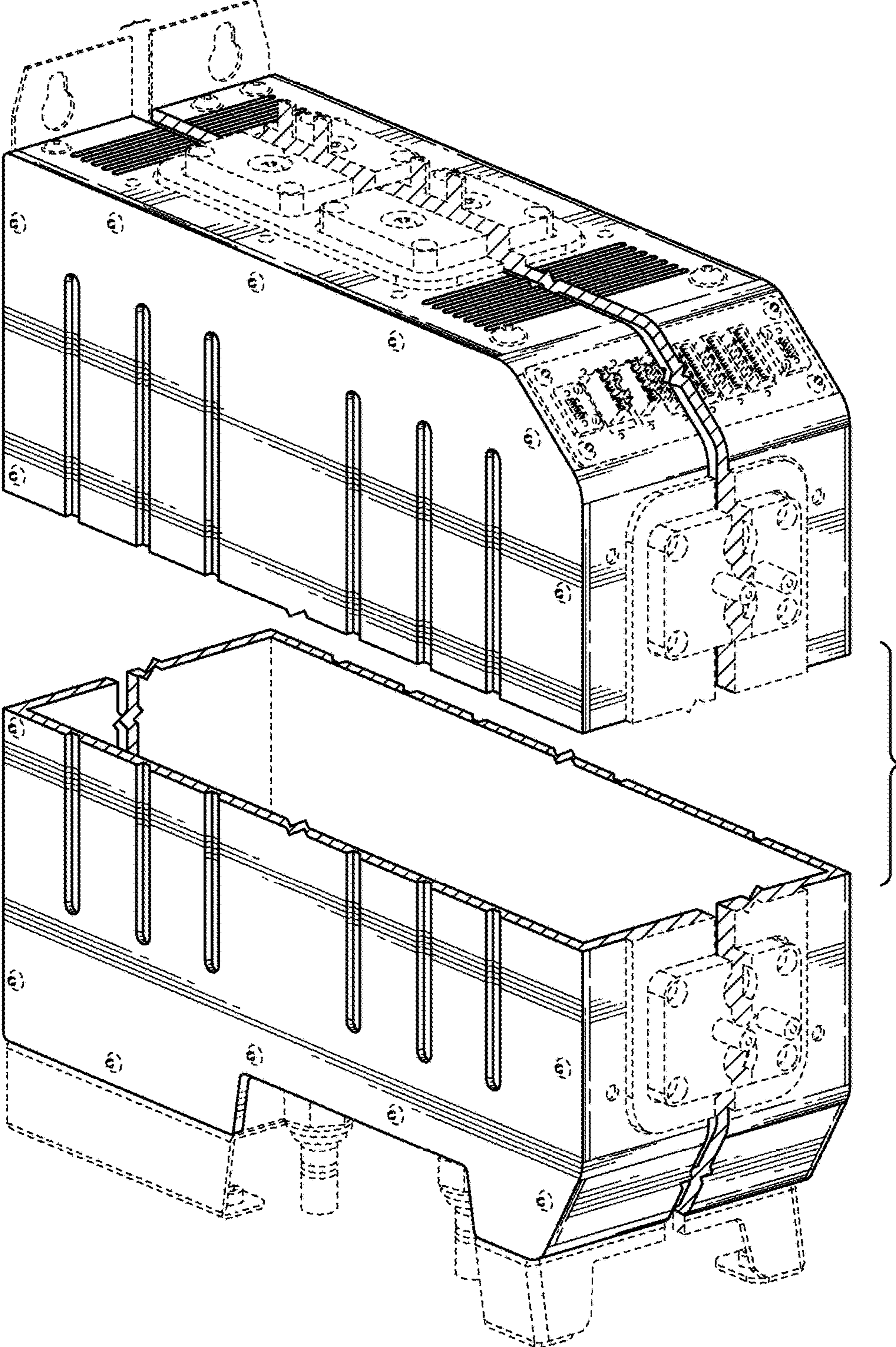


FIG. 1

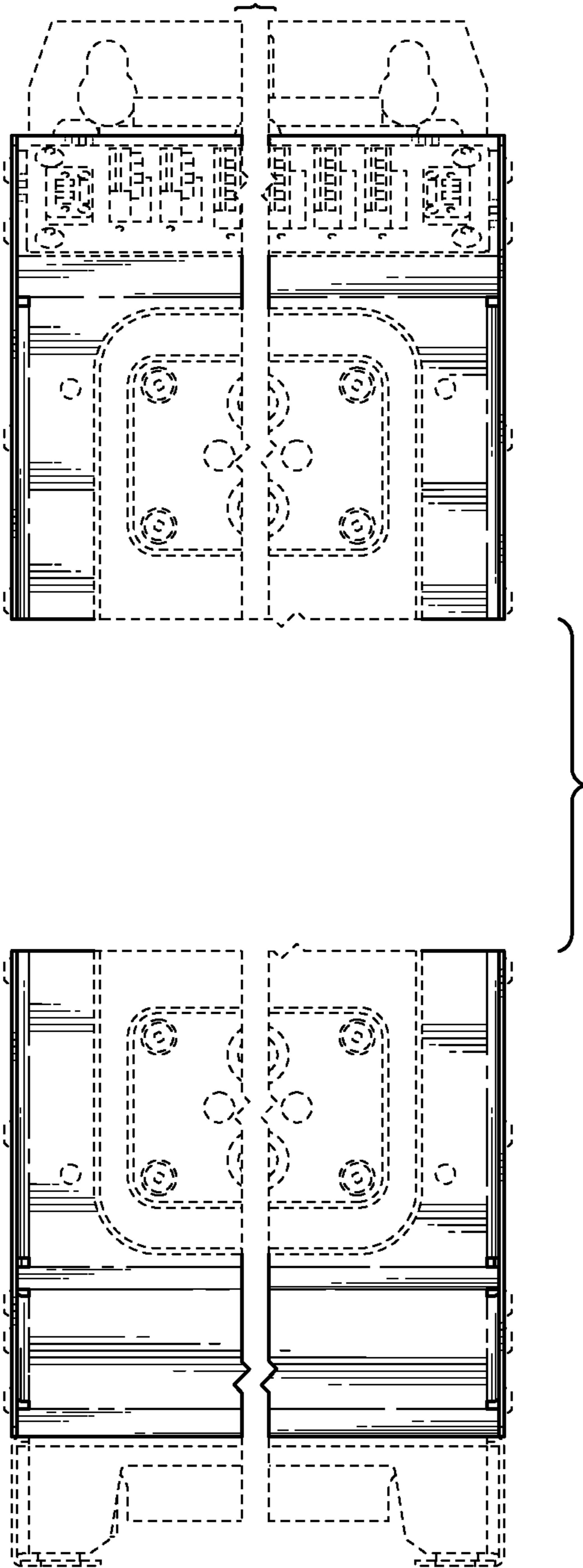


FIG. 2

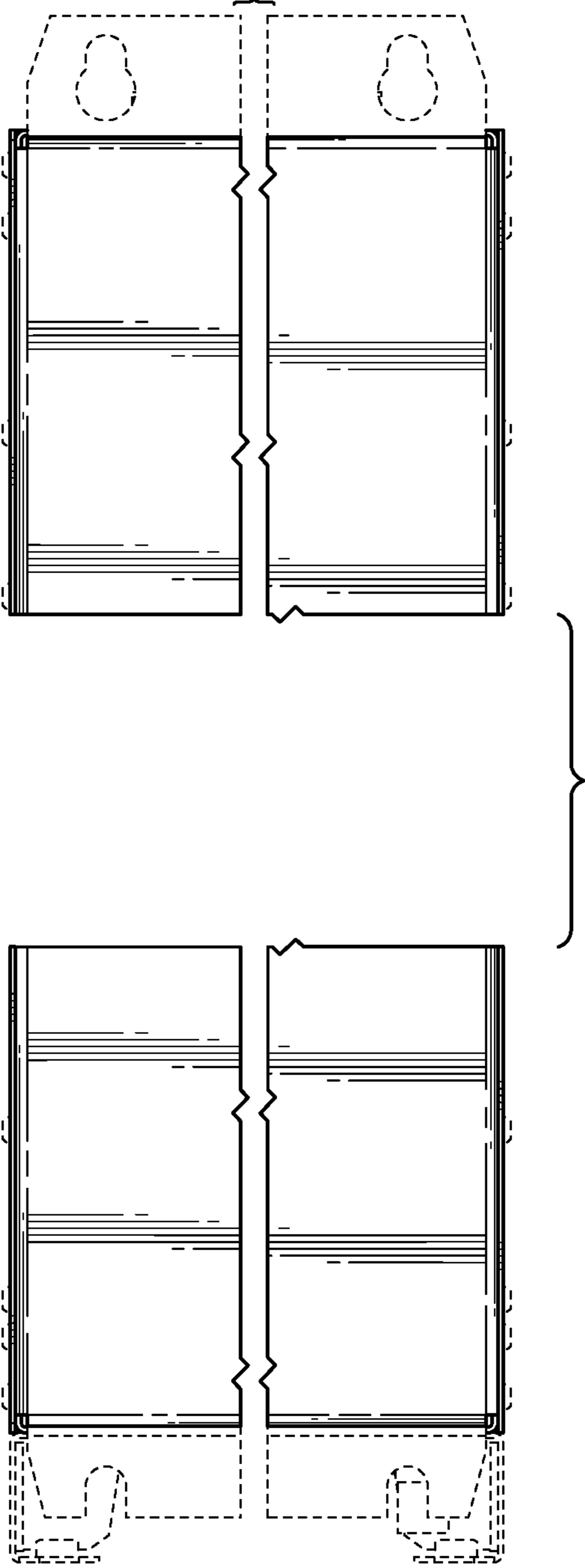


FIG. 3

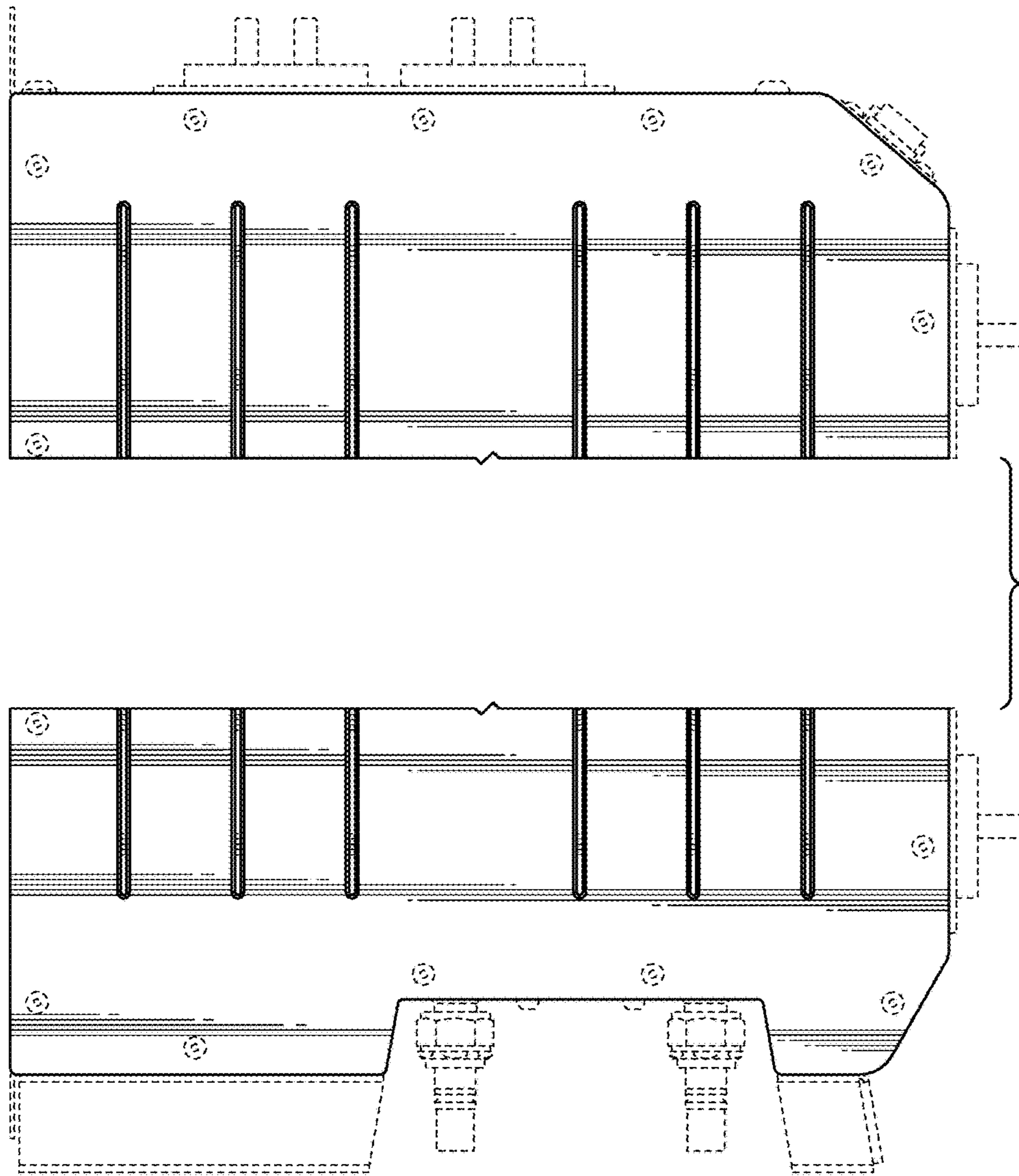


FIG. 4

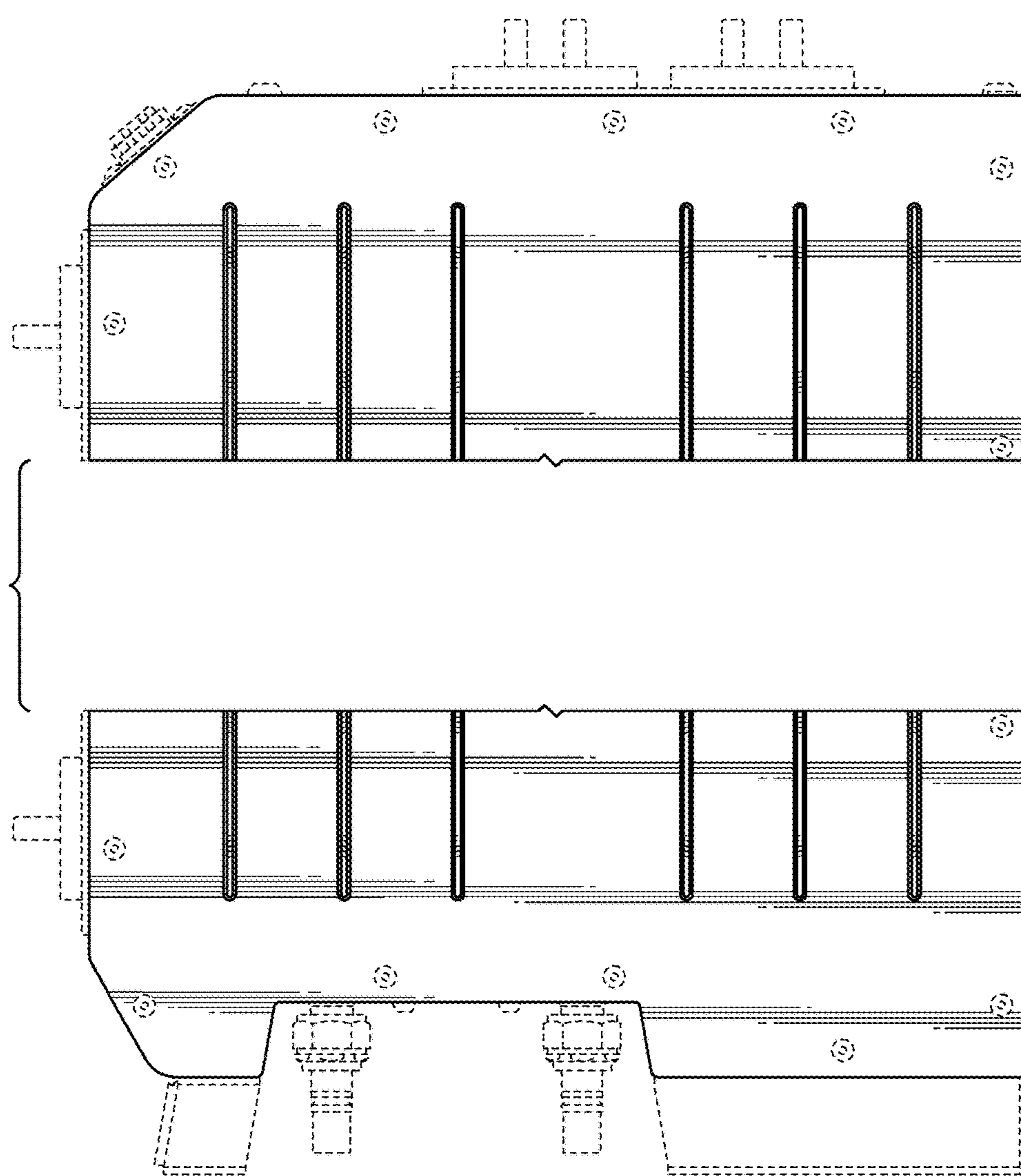


FIG. 5

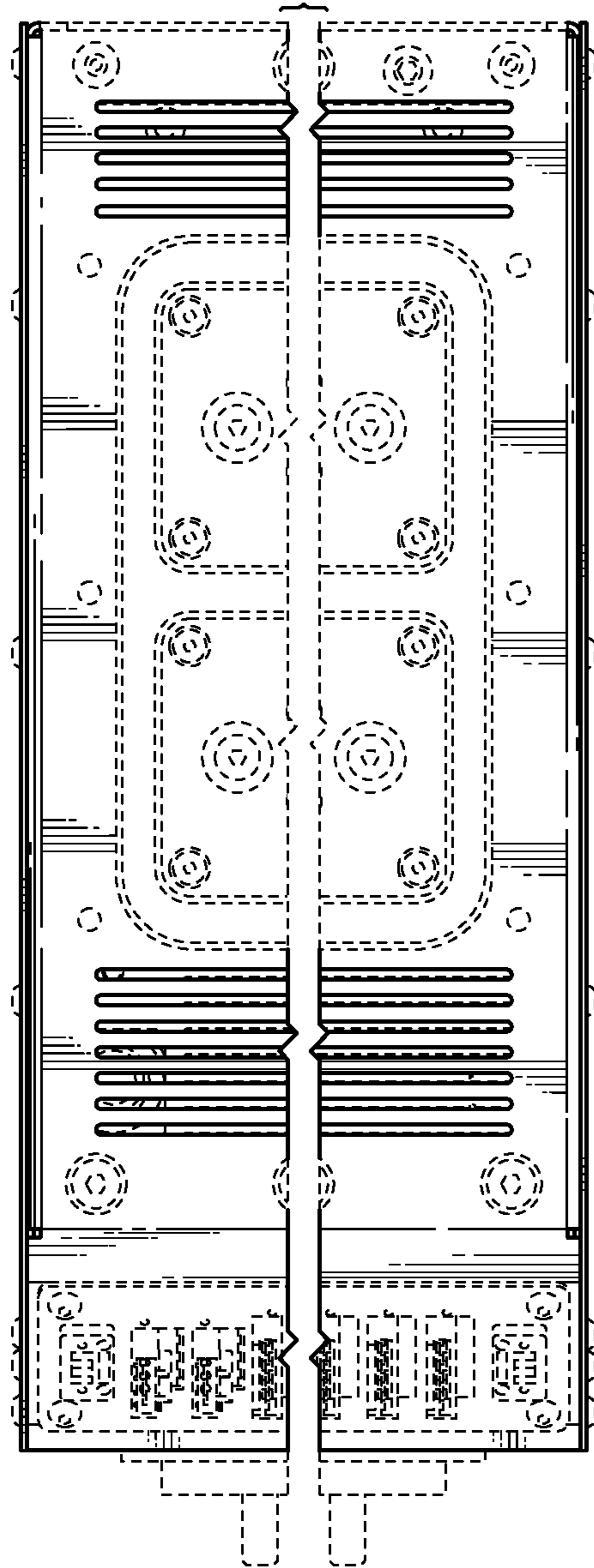


FIG. 6

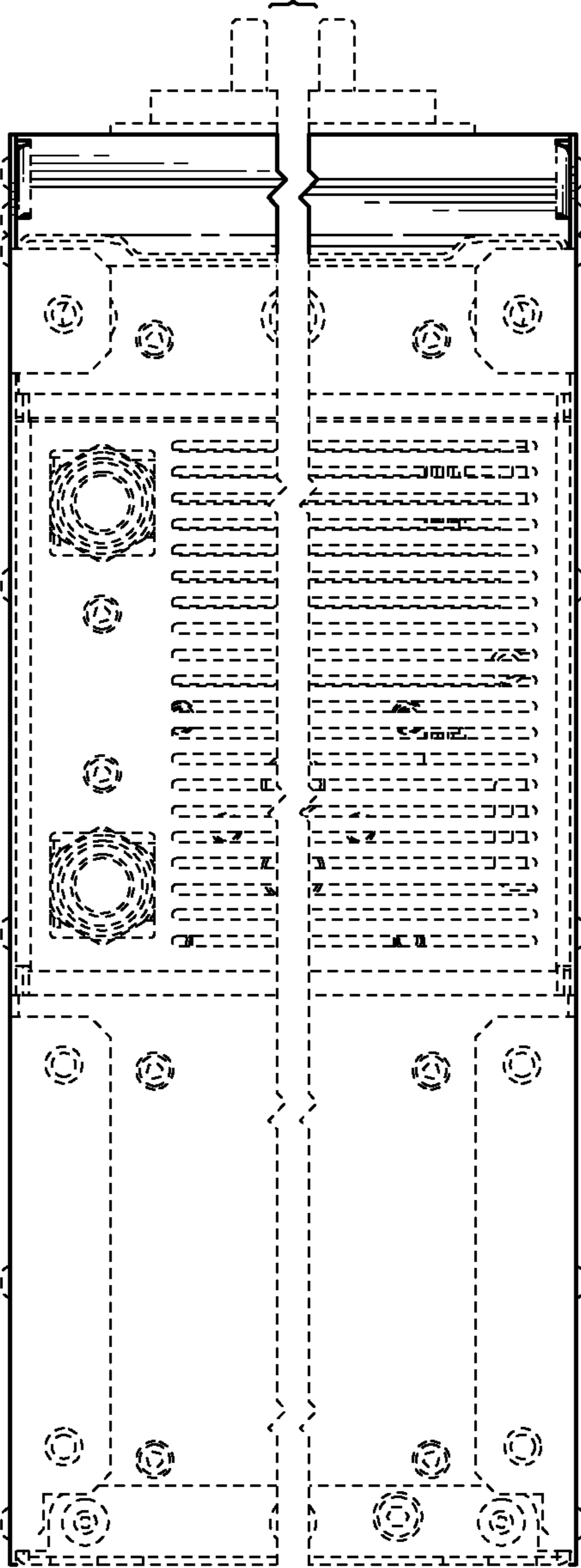


FIG. 7



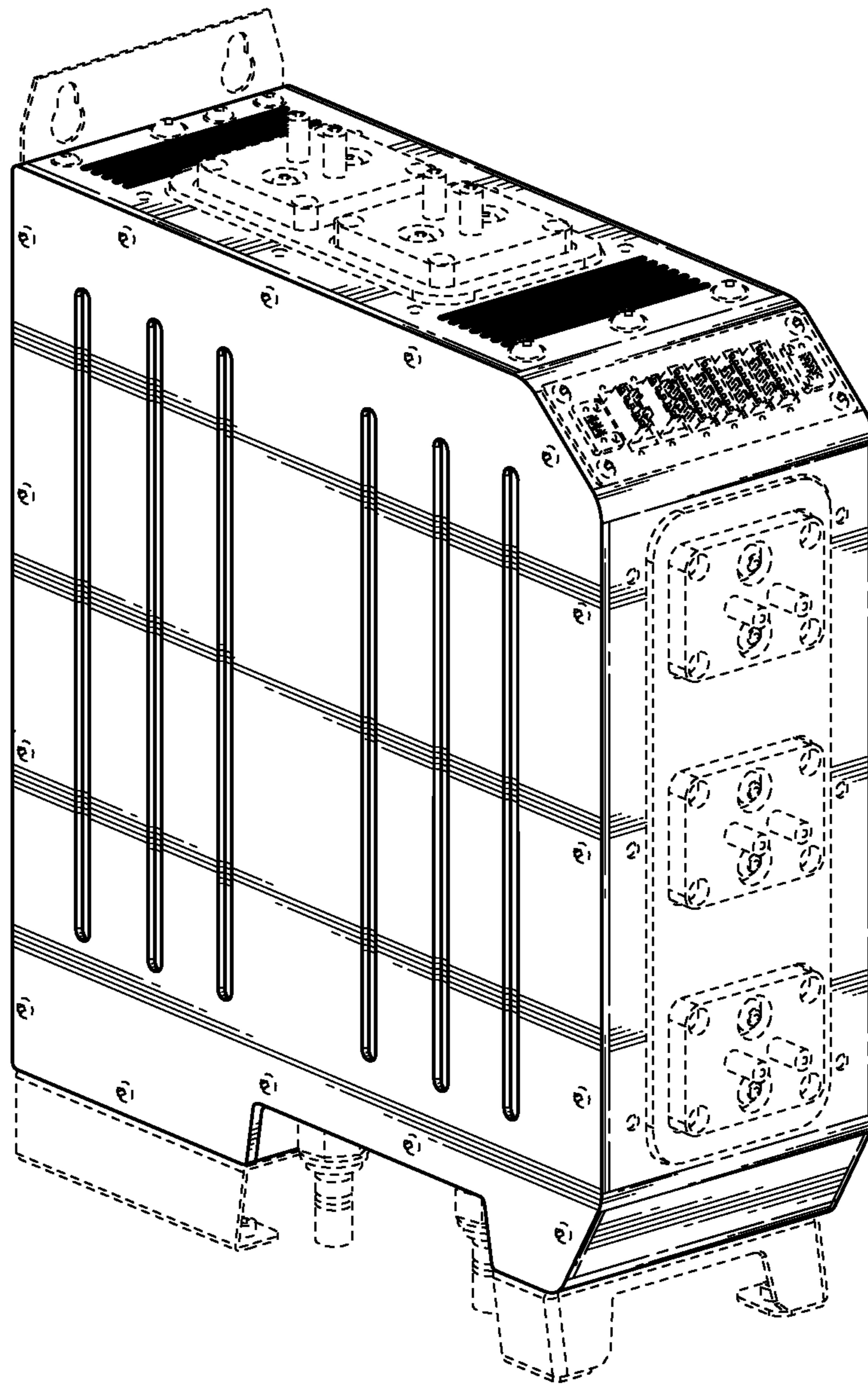


FIG. 8

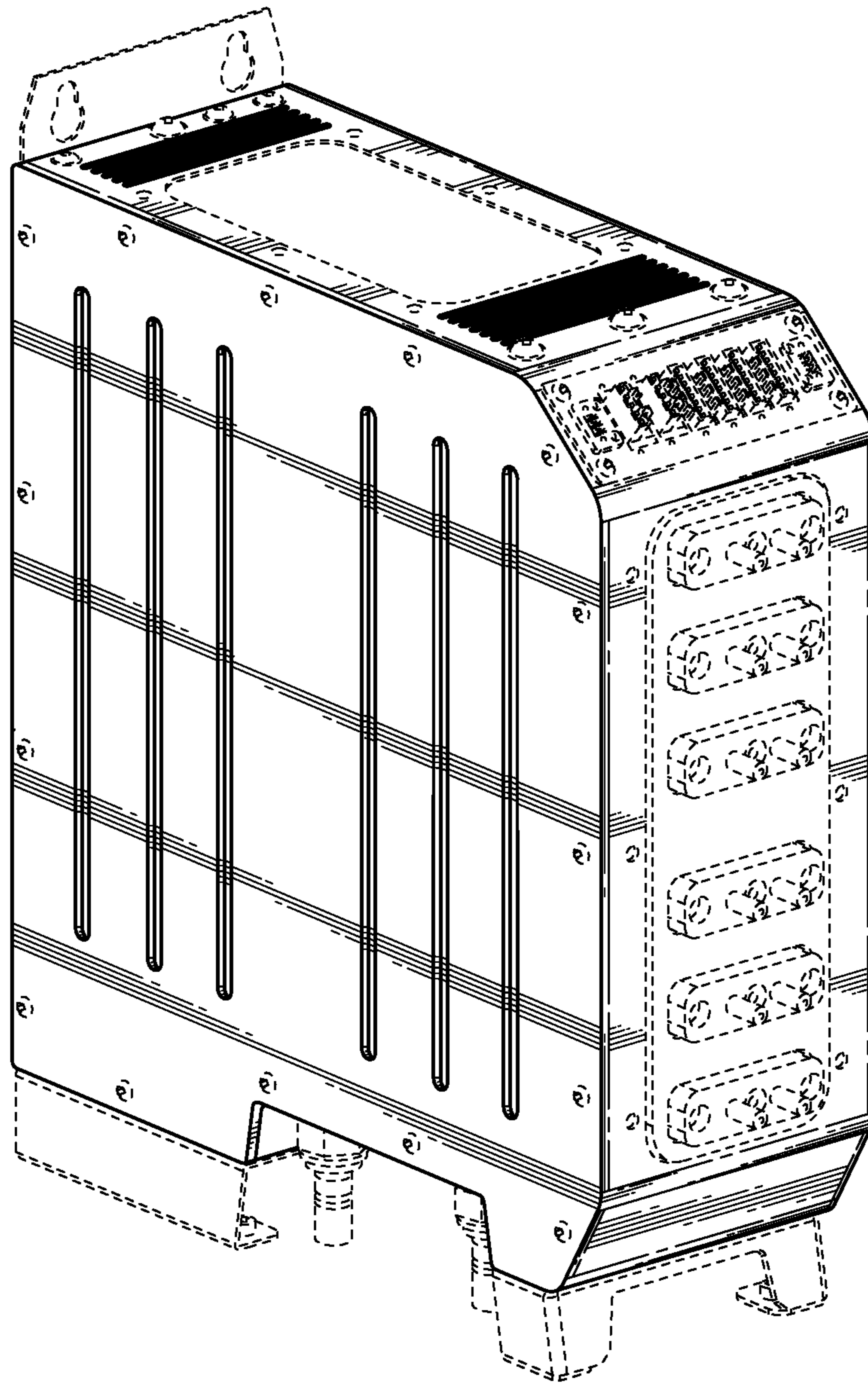


FIG. 9

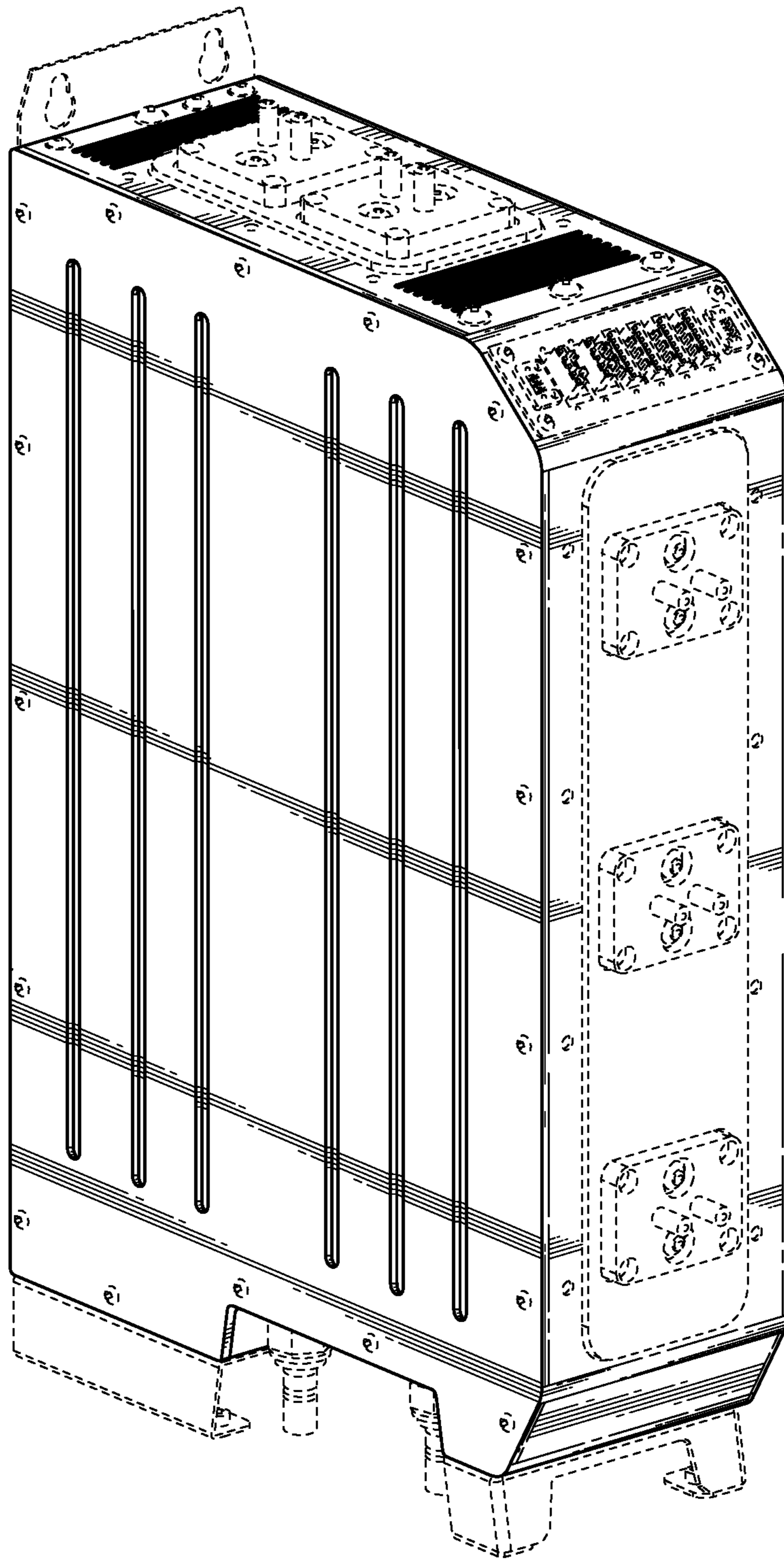


FIG. 10

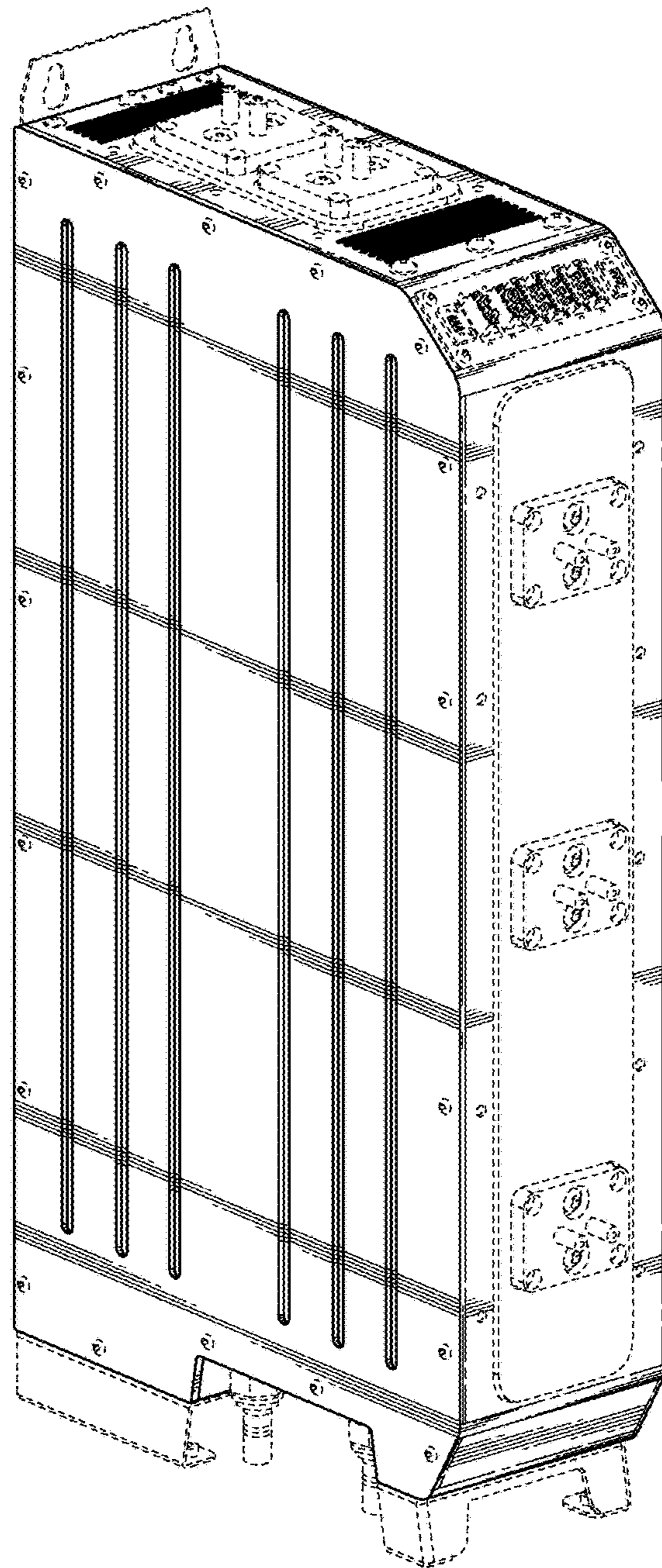


FIG. 11