



US00D804412S

(12) **United States Design Patent**
Huang et al.

(10) **Patent No.:** **US D804,412 S**

(45) **Date of Patent:** **** Dec. 5, 2017**

(54) **POWER ADAPTER**

(71) Applicant: **OXERER TECHNOLOGIES CO., LTD.**, Taipei (TW)

(72) Inventors: **Po-Chin Huang**, Taipei (TW); **Tzu-Jui Huang**, Taipei (TW)

(73) Assignee: **Po-Chin Huang**, Taipei (TW)

(**) Term: **14 Years**

(21) Appl. No.: **29/526,190**

(22) Filed: **May 7, 2015**

(51) **LOC (10) Cl.** **13-02**

(52) **U.S. Cl.**
USPC **D13/108; D13/110**

(58) **Field of Classification Search**
USPC D13/110, 103, 107, 108, 118, 119, 138.1, D13/138.2, 139.1, 139.2, 184, 199; D14/253, 432, 433, 434; 320/107-115; 439/103, 104, 105, 131, 172
CPC H01R 27/00; H01R 29/00; H01R 31/065; H01R 31/06; H01R 13/652; H01R 13/6675; H01R 13/44; H01R 13/71; H01R 13/514; H01R 13/639; H01R 13/6658; H01R 24/28; H02J 7/0042; H02J 7/0044; Y02E 60/12

See application file for complete search history.

(56) **References Cited**

U.S. PATENT DOCUMENTS

D308,044 S * 5/1990 Chandler D13/110
5,613,863 A * 3/1997 Klaus H01R 27/00
439/131

D623,136 S * 9/2010 Andre D13/108
D647,476 S * 10/2011 Ciou D13/110
D652,380 S * 1/2012 Chen D13/110
D663,687 S * 7/2012 Liu D13/108
D683,314 S * 5/2013 Andre D13/108
D693,764 S * 11/2013 Hok Man D13/108
2011/0009005 A1* 1/2011 Youssefi-Shams H01R 13/44
439/628

* cited by examiner

Primary Examiner — Derrick Holland

(74) *Attorney, Agent, or Firm* — Rosenberg, Klein & Lee

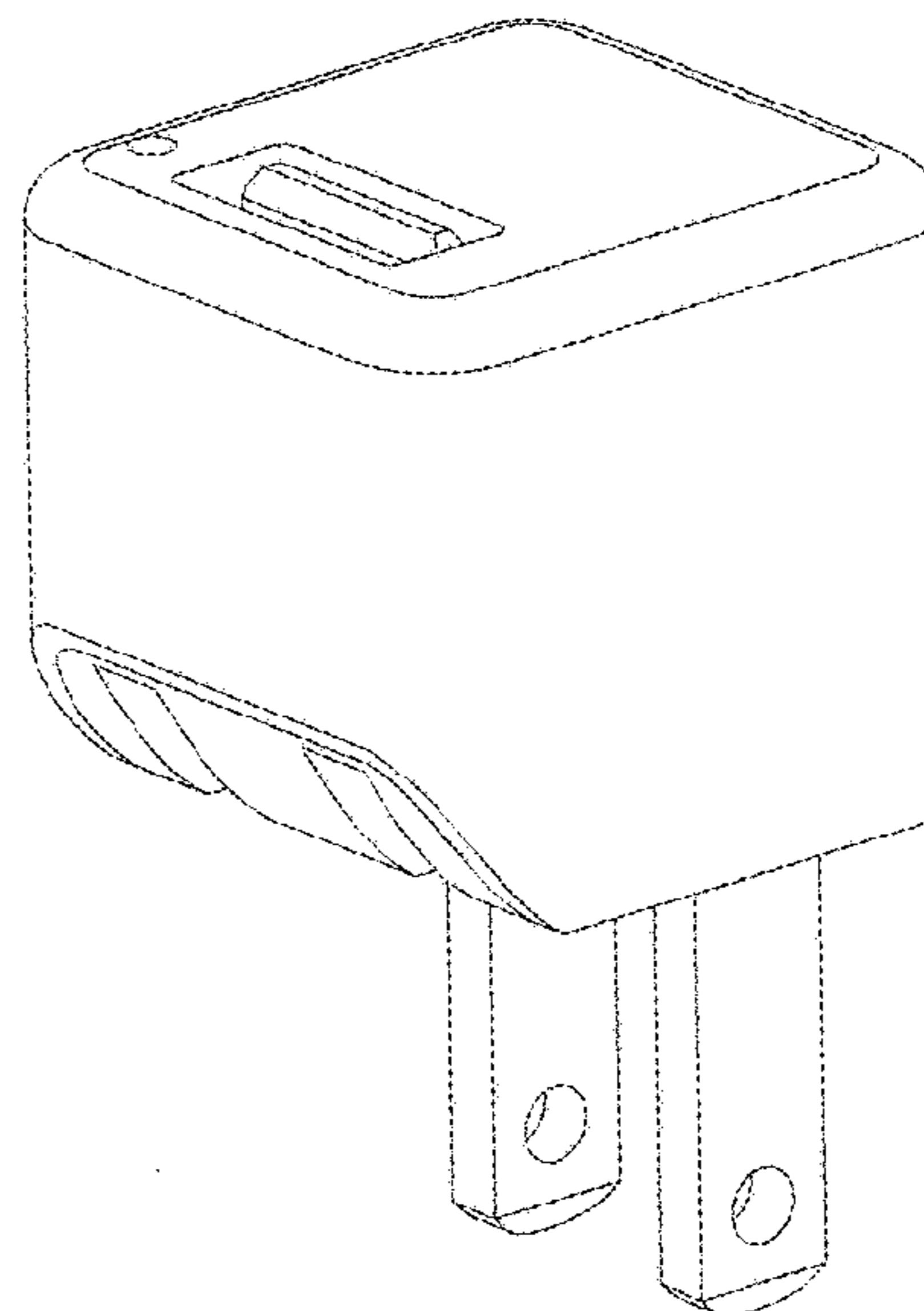
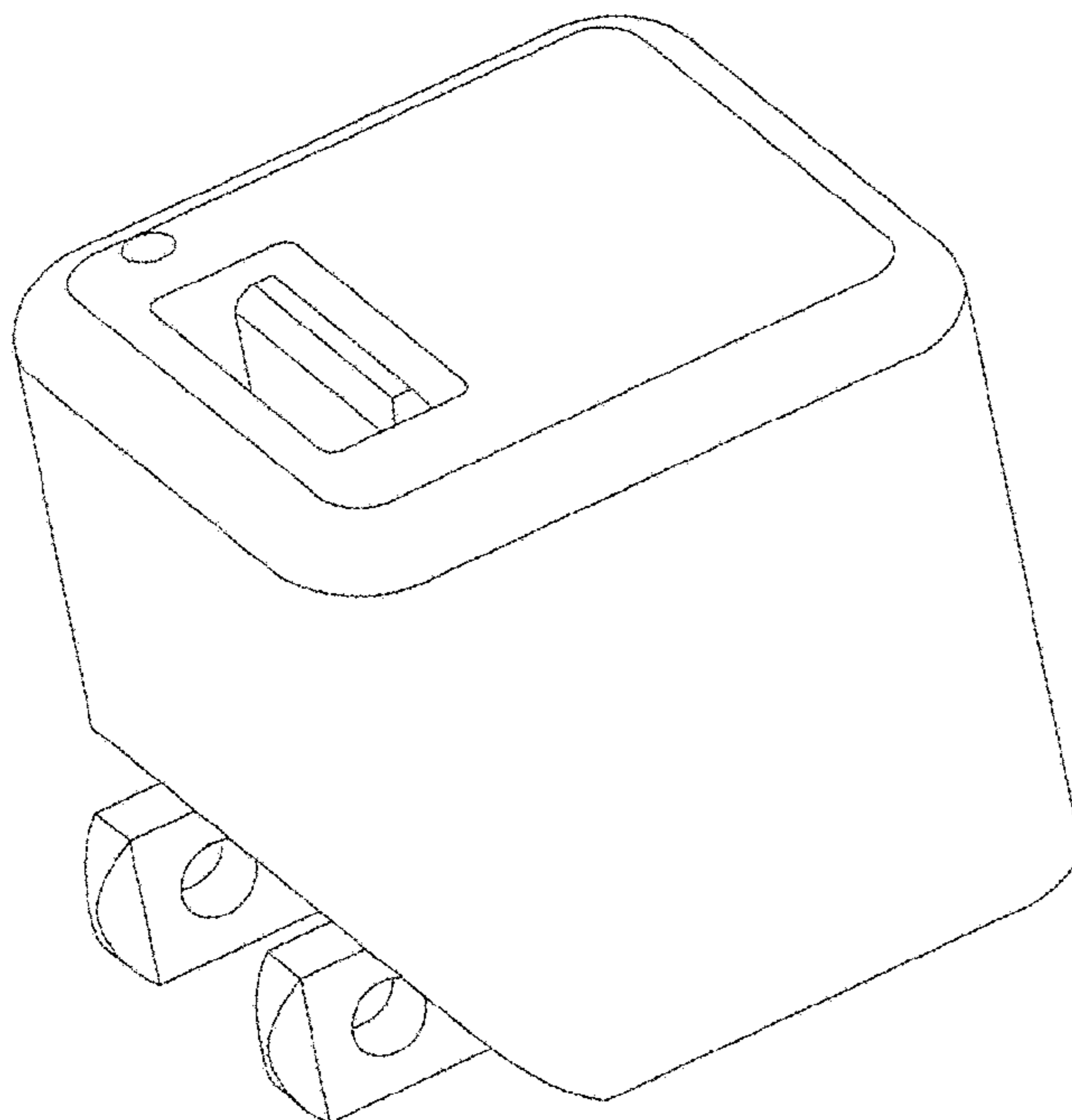
(57) **CLAIM**

The ornamental design for a power adapter, as shown and described.

DESCRIPTION

FIG. 1 is a front, top and right side perspective view of a power adapter showing my new design;
FIG. 2 is a front elevational view thereof;
FIG. 3 is a rear elevational view thereof;
FIG. 4 is a left-side elevational view thereof;
FIG. 5 is a right-side elevational view thereof;
FIG. 6 is a top plan view thereof;
FIG. 7 is a bottom plan view thereof; and,
FIG. 8 is a perspective view thereof, shown in an alternate configuration.

1 Claim, 8 Drawing Sheets



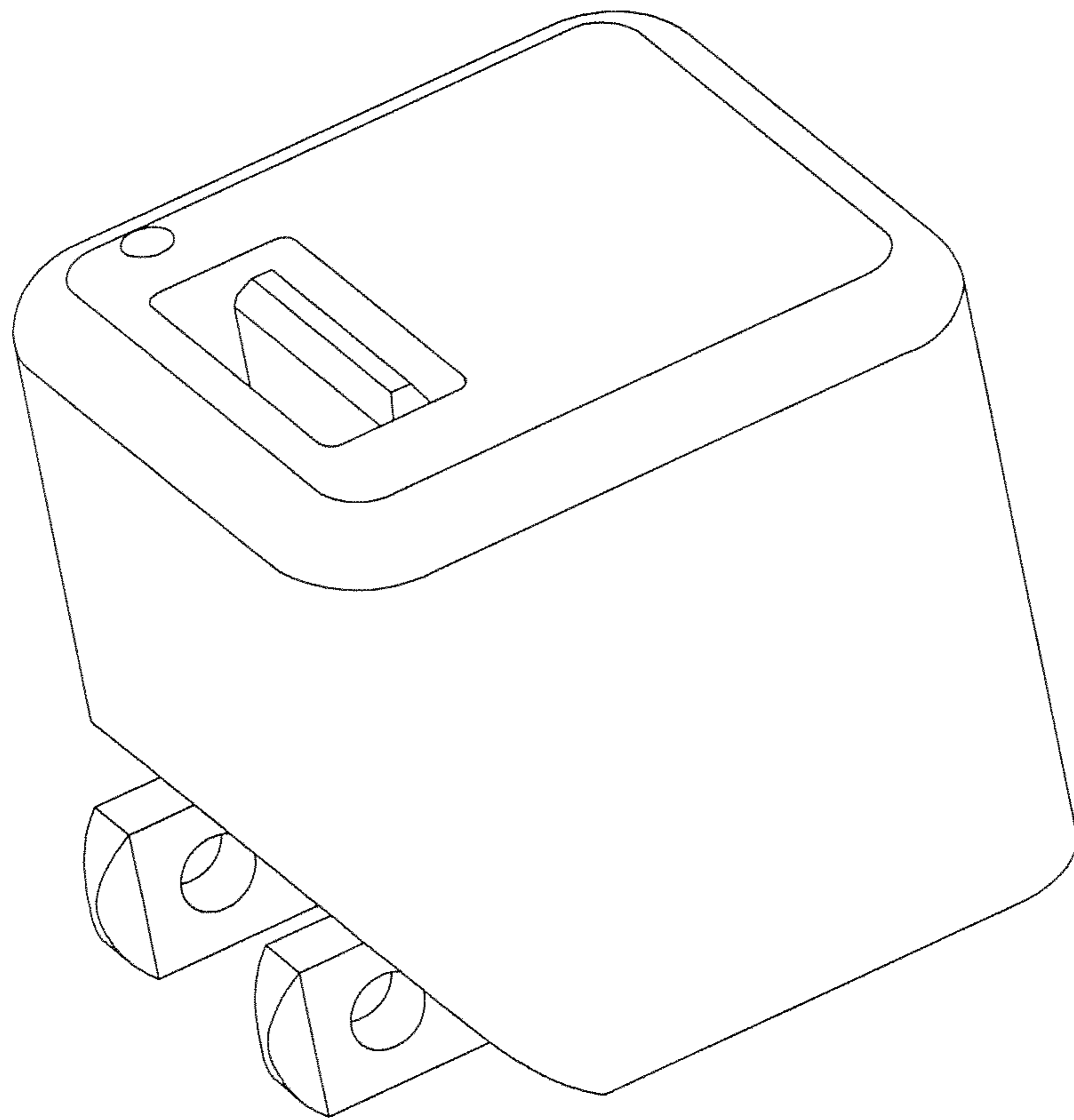


FIG. 1

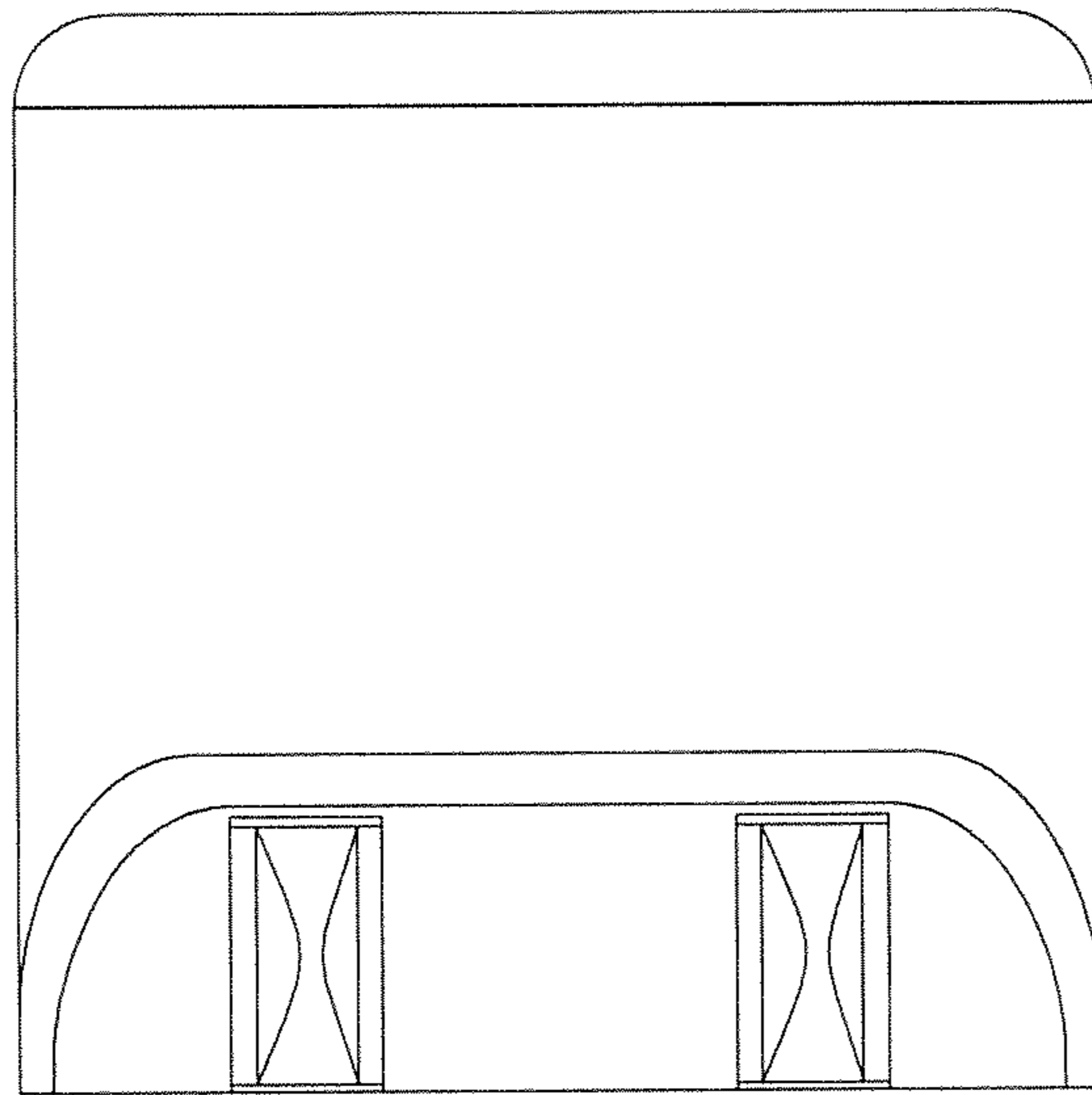


FIG. 2

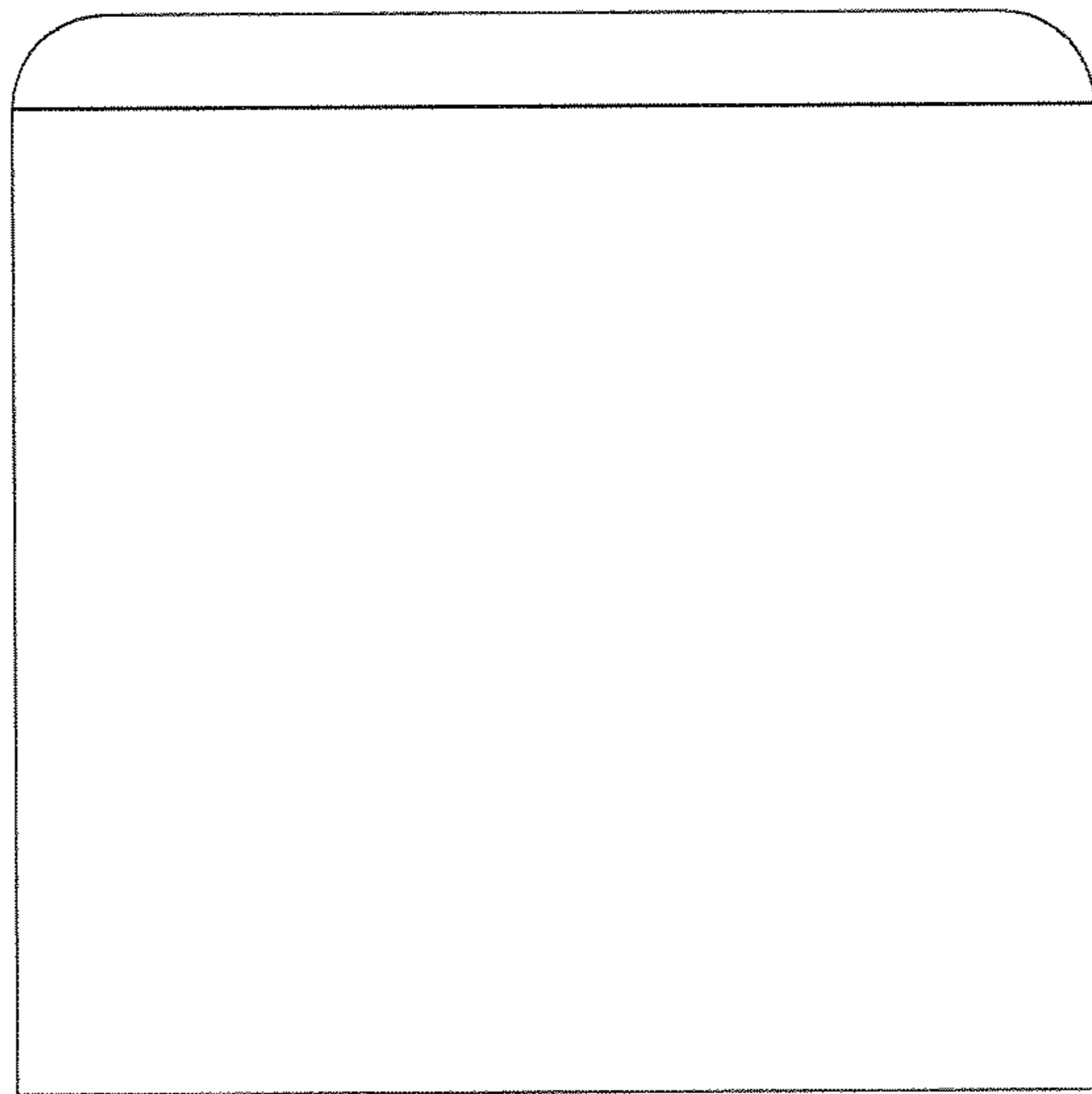


FIG. 3

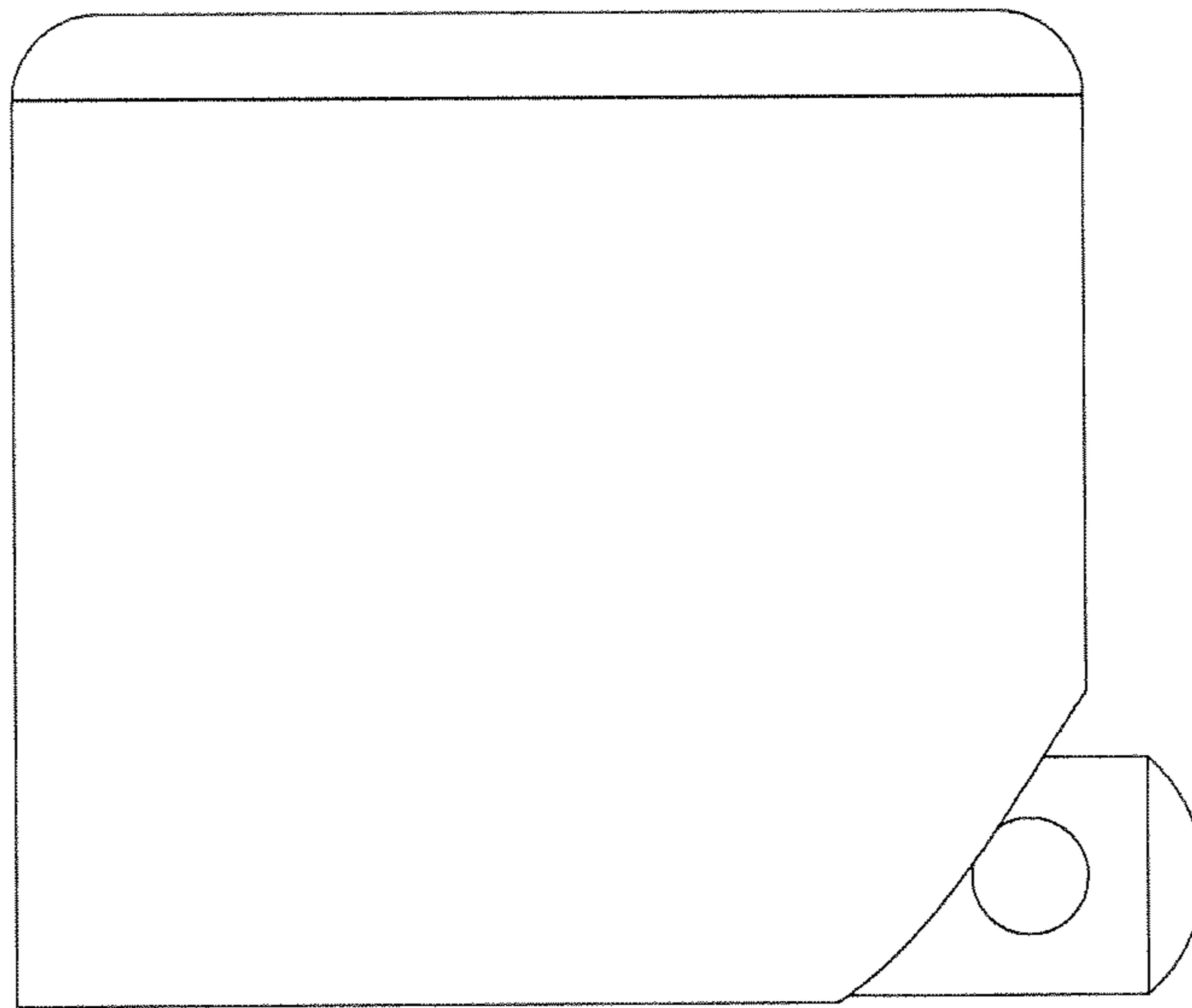


FIG. 4

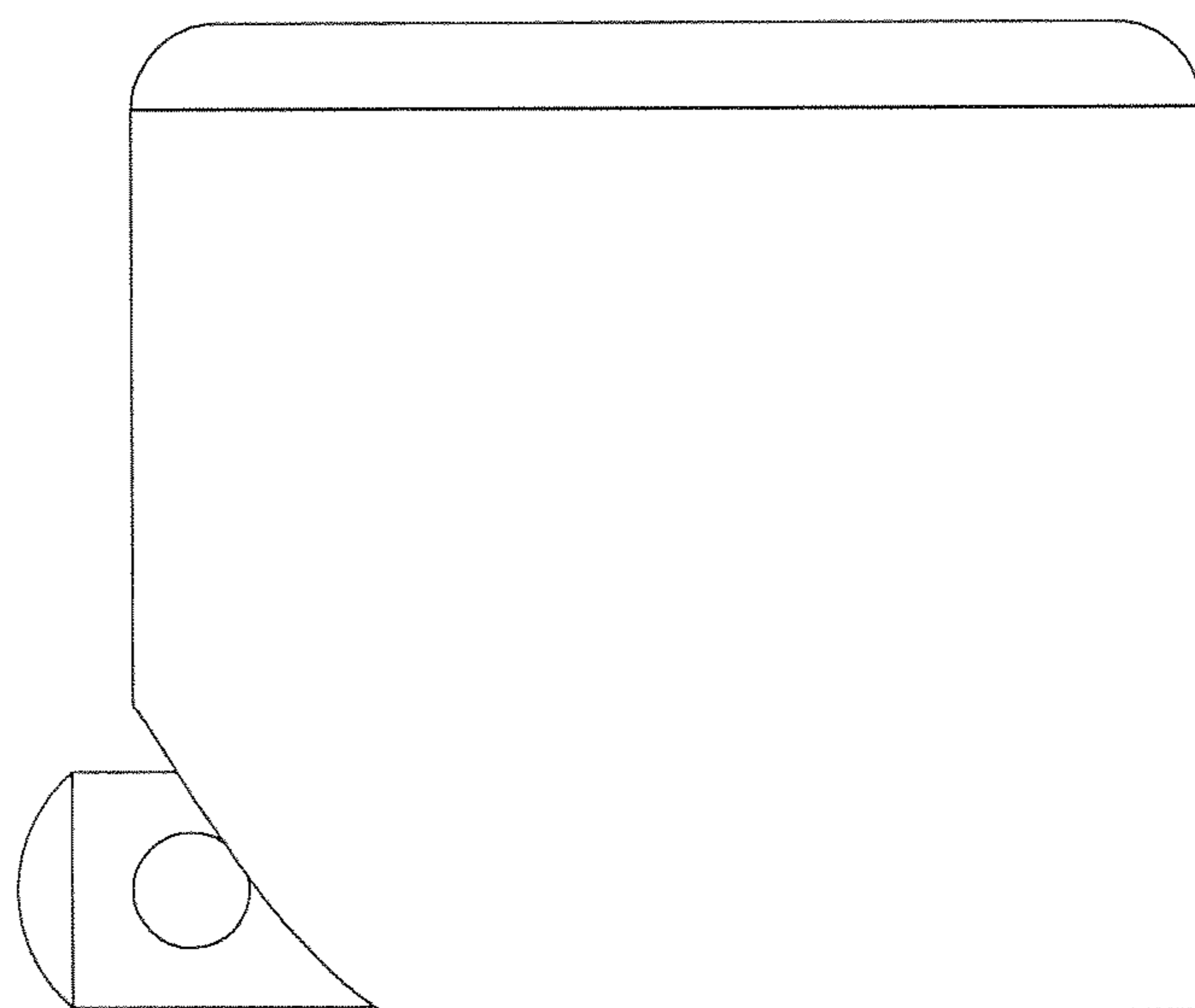


FIG. 5

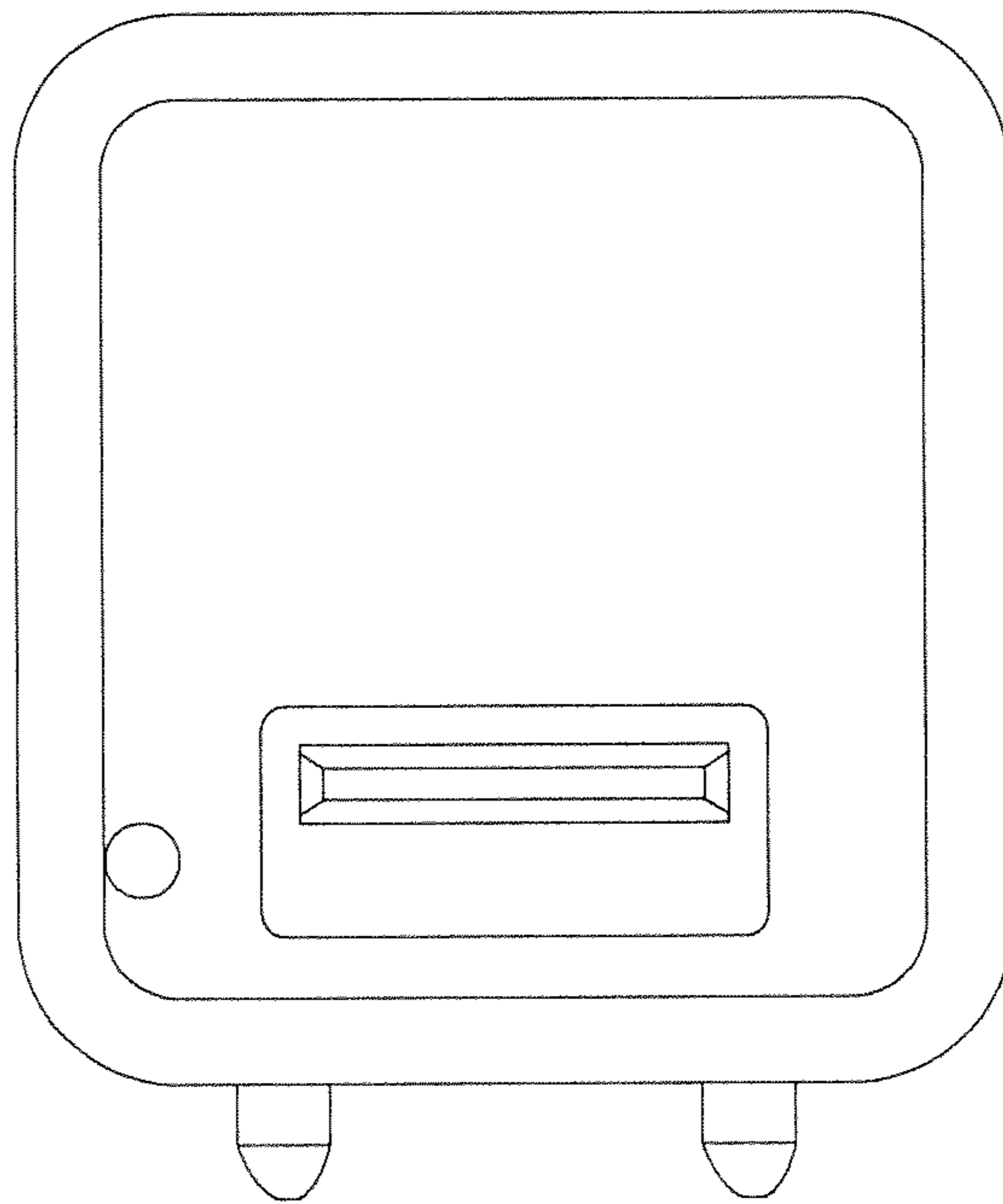


FIG. 6

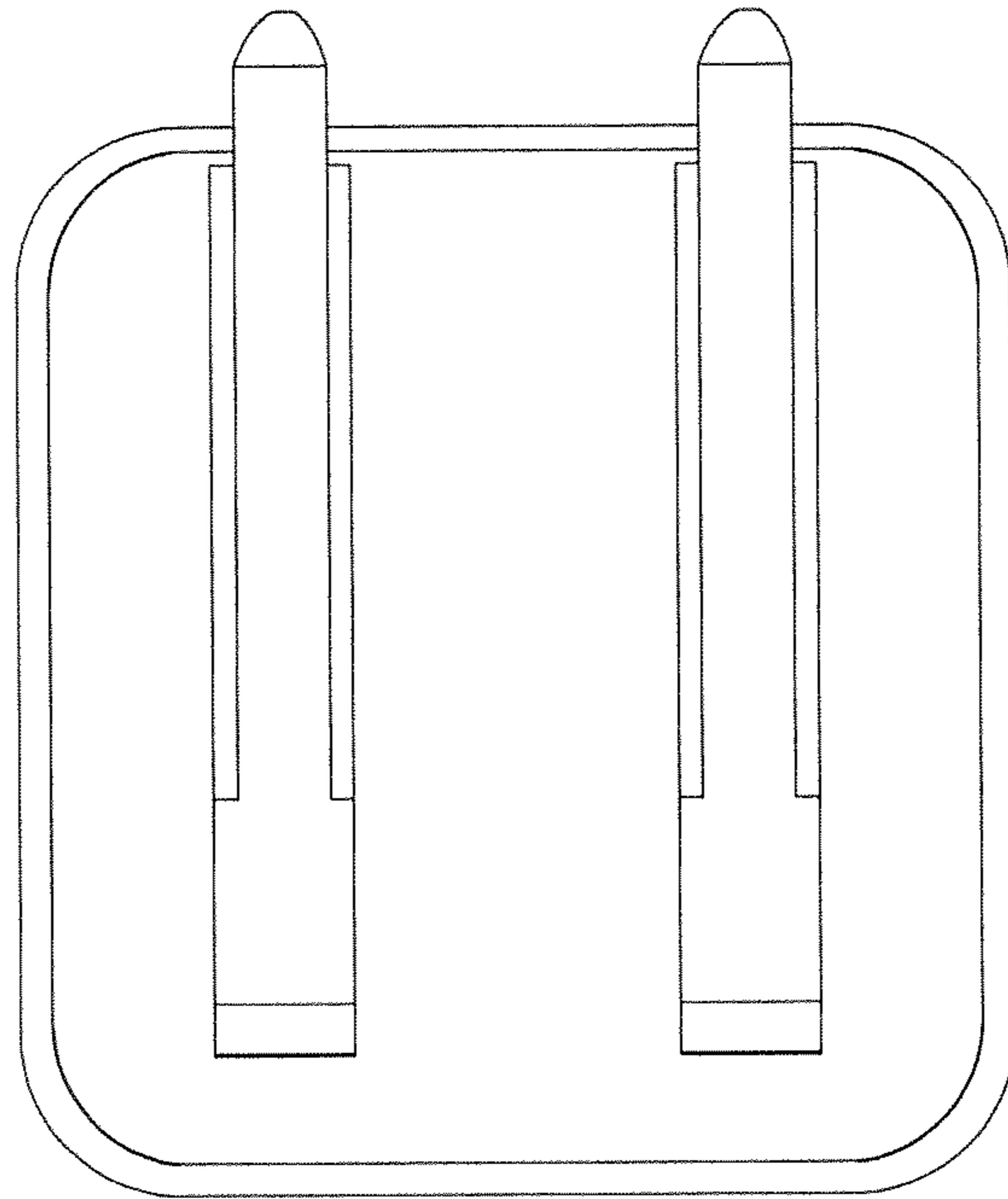


FIG. 7

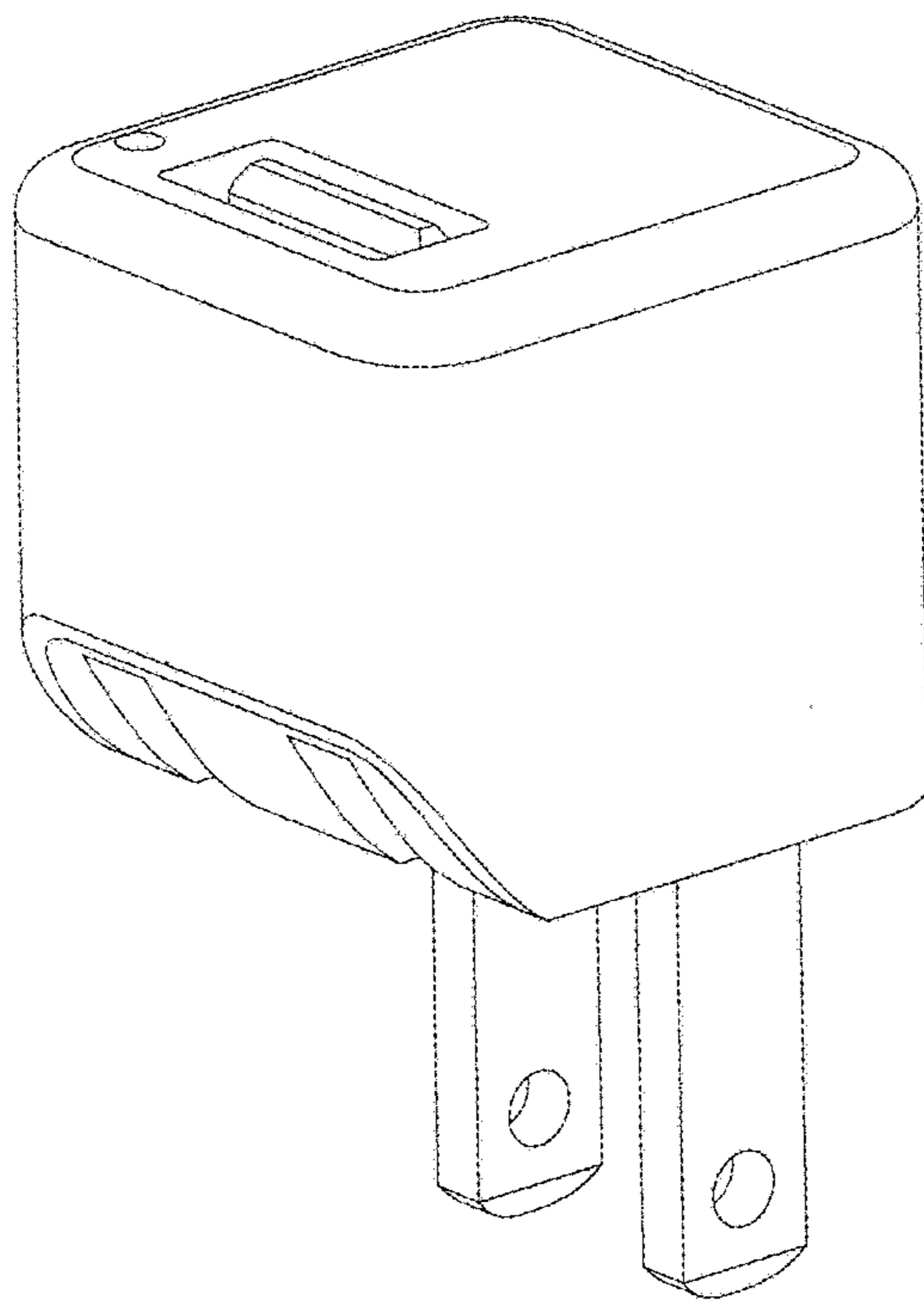


FIG. 8