



US00D804410S

(12) **United States Design Patent**
Tang et al.

(10) **Patent No.:** **US D804,410 S**
(45) **Date of Patent:** **** Dec. 5, 2017**

(54) **CHARGER**

(71) Applicant: **eMoMo Technology Co., Ltd.**,
Shenzhen (CN)

(72) Inventors: **Wenji Tang**, Shenzhen (CN); **Huiyao An**,
Shenzhen (CN); **Rui Zou**, Shenzhen (CN); **Keyun Zhang**,
Jinshi (CN); **Zhigang Wang**, Qiyang (CN); **Yushu Zhao**,
Shenzhen (CN)

(73) Assignee: **EMOMO TECHNOLOGY CO., LTD.**,
Shenzhen (CN)

(**) Term: **15 Years**

(21) Appl. No.: **29/568,671**

(22) Filed: **Jun. 20, 2016**

Related U.S. Application Data

(63) Continuation-in-part of application No. 29/553,760,
filed on Feb. 4, 2016.

(30) **Foreign Application Priority Data**

Sep. 8, 2015 (CN) 2015 3 0343506
Dec. 29, 2015 (CN) 2015 3 0565032

(51) **LOC (10) Cl.** **13-02**

(52) **U.S. Cl.**
USPC **D13/107**

(58) **Field of Classification Search**

USPC D13/102–110, 118–119, 184, 199;
D14/356, 432, 251, 253, 434,
D14/203.3–203.8, 217, 248, 250, 252,
D14/440, 450, 496; D3/201, 218, 269,
D3/301, 273, 303
CPC Y02E 60/12; Y02E 60/122; Y02E 60/124;
Y02E 60/50; Y02E 60/10; H01M 2/02;
H01M 2/022; H01M 2/0202; H01M
2/0207; H01M 2/0212; H01M 2/1061;
H01M 2/1022; H01M 2/1055; H01M
2/1066; H01M 2/105; H01M 2/204;
H01M 2/20; H01M 2/202; H01M 2/206;

H01M 10/44; H01M 10/46; H01M
10/465; H01M 10/482; H01M 10/4257;
H01M 10/0436; H01M 10/48; H01M
10/425; H01M 2200/30;
(Continued)

(56) **References Cited**

U.S. PATENT DOCUMENTS

D598,372 S * 8/2009 Sasada D13/102
D678,190 S * 3/2013 Beroukas D13/107
(Continued)

OTHER PUBLICATIONS

FCCID.IO: E502 series External Photos eMoMo Technology Co.,
Ltd. Published Feb. 22, 2017. Retrieved from the internet at
<<https://fccid.io/document.php?id=3286808>>, Apr. 1, 2017. 7
pages.*

Primary Examiner — Rosemary K Tarcza

Assistant Examiner — Christy Nemeth

(74) *Attorney, Agent, or Firm* — Bass, Berry & Sims
PLC

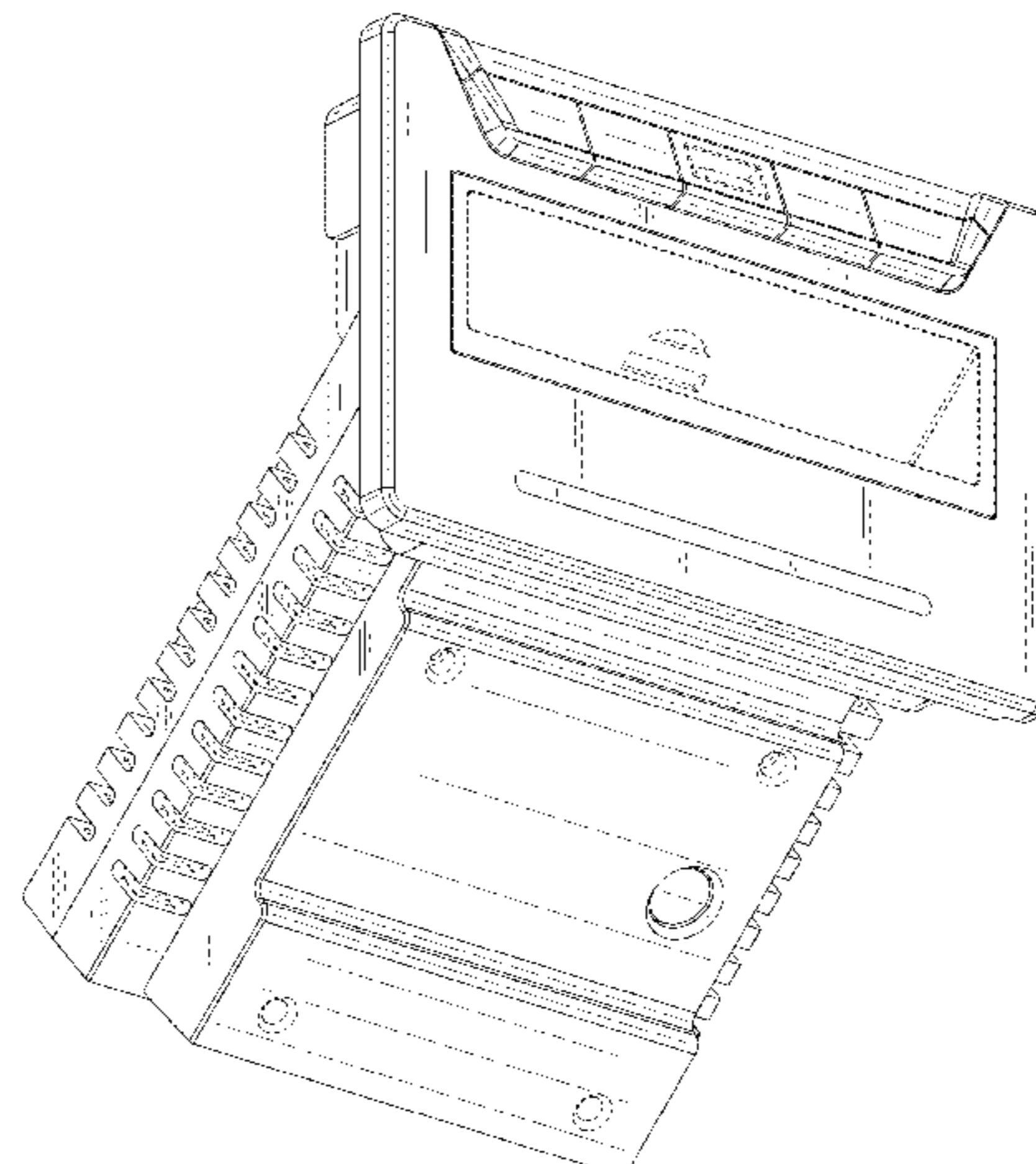
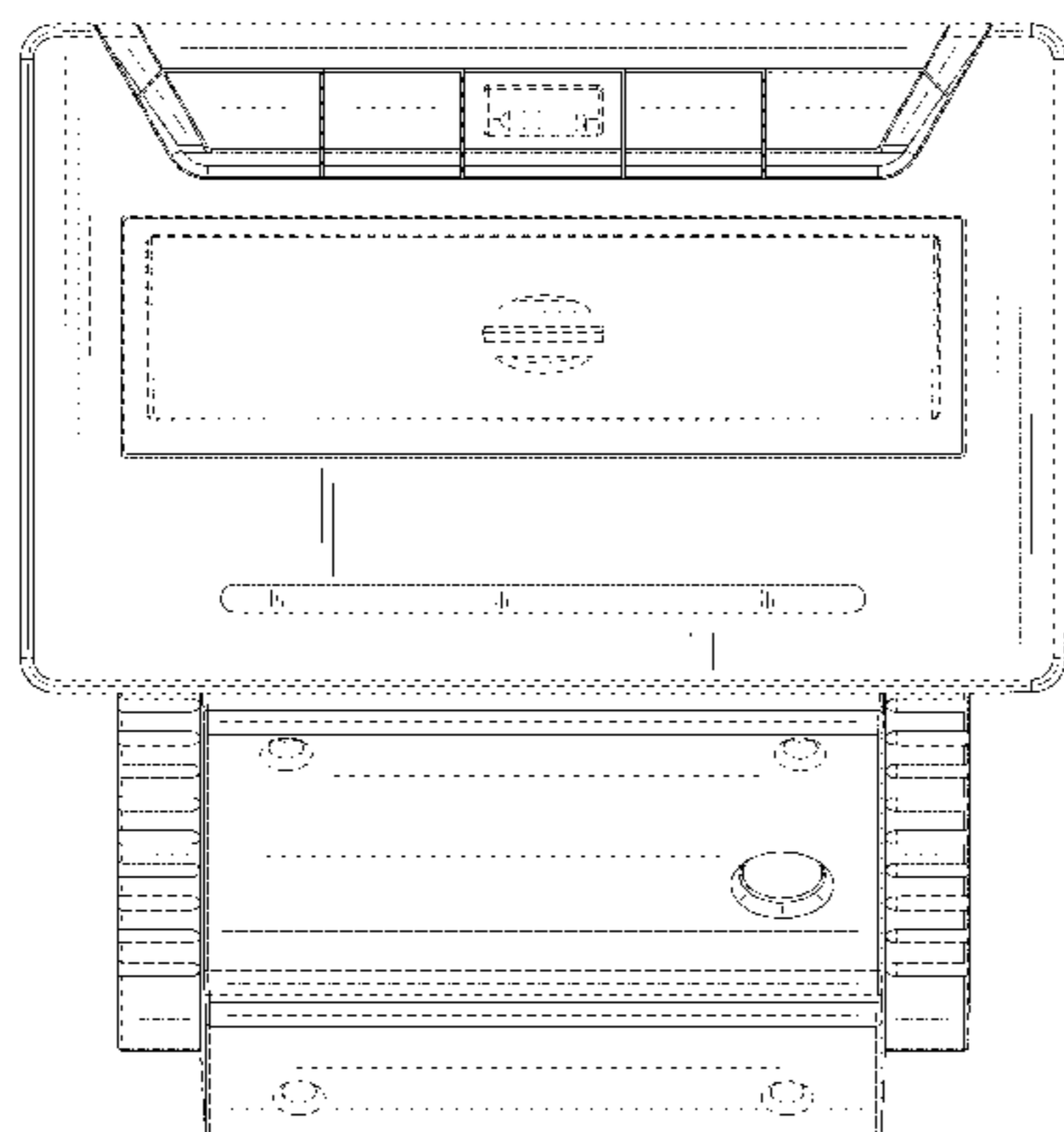
(57) **CLAIM**

The ornamental design for a charger, as shown and
described.

DESCRIPTION

FIG. 1 is a front view of a charger showing our new design;
FIG. 2 is a top plan view thereof;
FIG. 3 is a bottom plan view thereof;
FIG. 4 is a rear view thereof;
FIG. 5 is a left side view thereof;
FIG. 6 is a right side view thereof; and,
FIG. 7 is a front perspective view thereof.
The broken lines in the drawings are for the purpose of
illustrating portions of the charger that form no part of the
claimed design.

1 Claim, 7 Drawing Sheets



(58) **Field of Classification Search**

CPC .. H01M 2250/30; H01M 2250/40; H02J 7/00;
H02J 7/0003; H02J 7/0011; H02J 7/0013;
H02J 7/0054; H02J 7/0055; H02J 7/0057;
H02J 7/025; H02J 7/0042; H02J 7/0044;
H02J 7/0045; H02J 2007/0062; H01F
38/14; H01R 13/6675

See application file for complete search history.

(56) **References Cited**

U.S. PATENT DOCUMENTS

D720,689 S * 1/2015 Mamane D13/103
D756,298 S * 5/2016 Dorn D13/107
2012/0262114 A1* 10/2012 Bianco H02J 7/0042
320/109
2017/0063116 A1* 3/2017 Koch H02J 7/0029

* cited by examiner

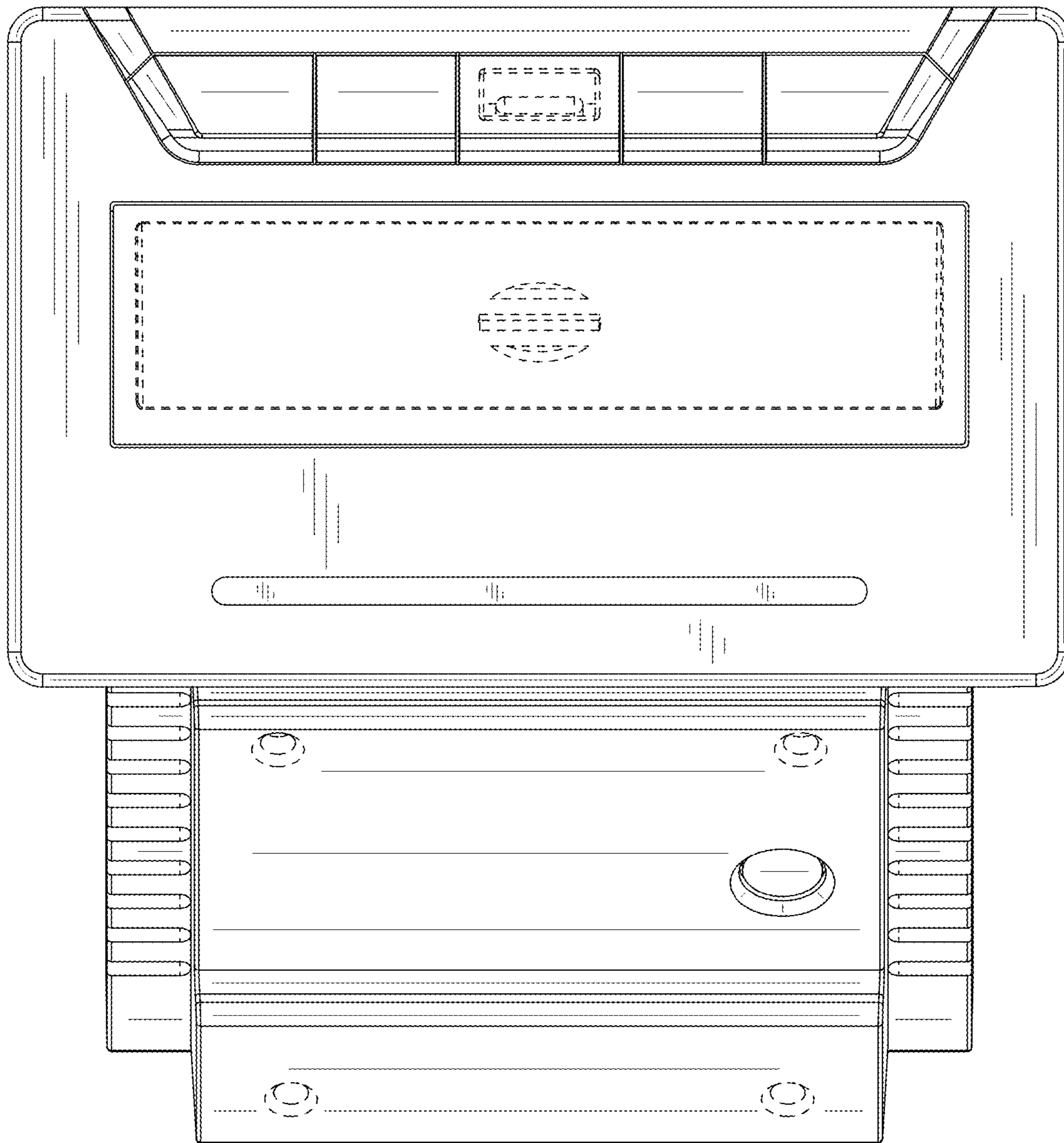


FIG. 1

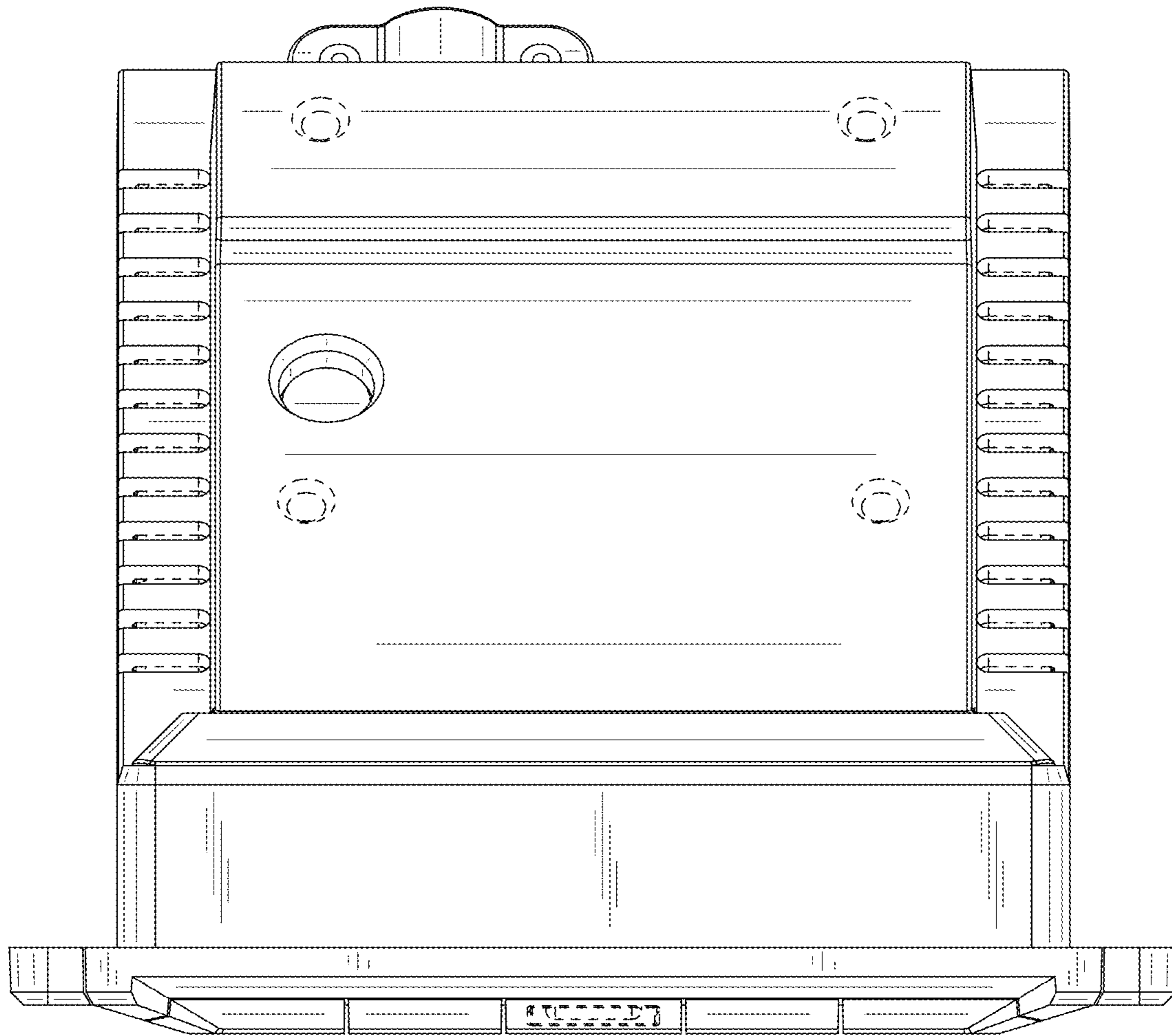


FIG. 2

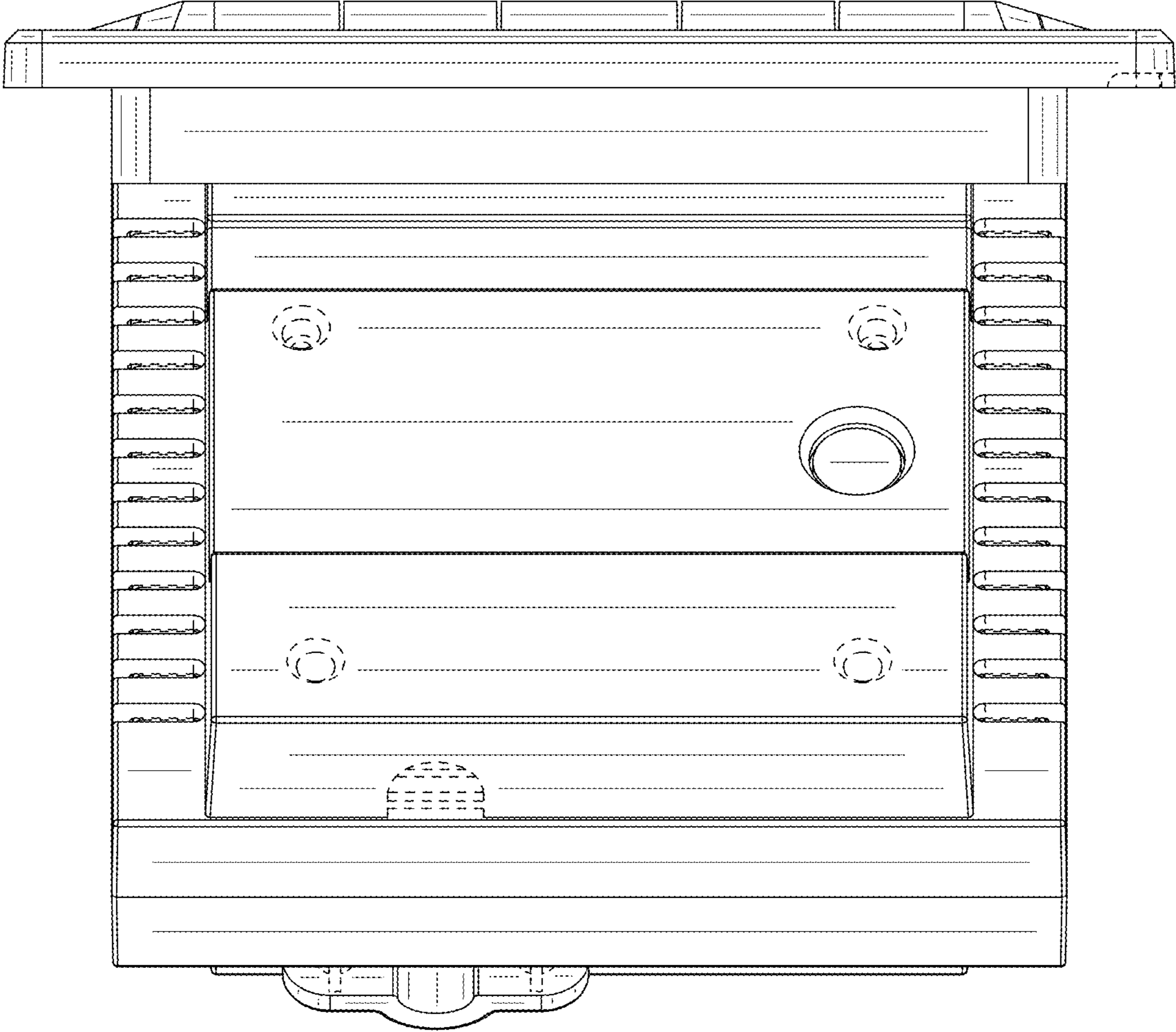


FIG. 3

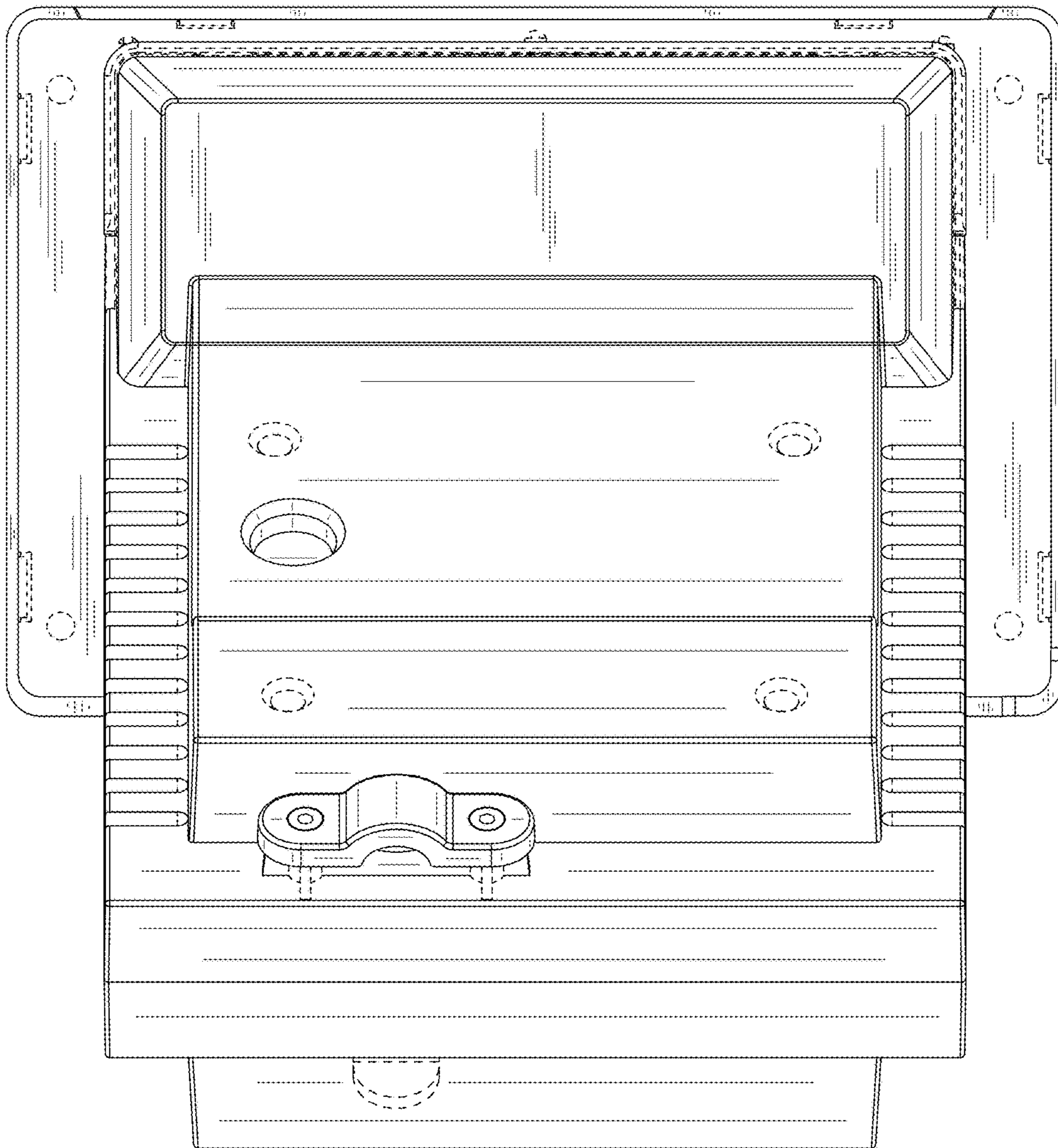


FIG. 4

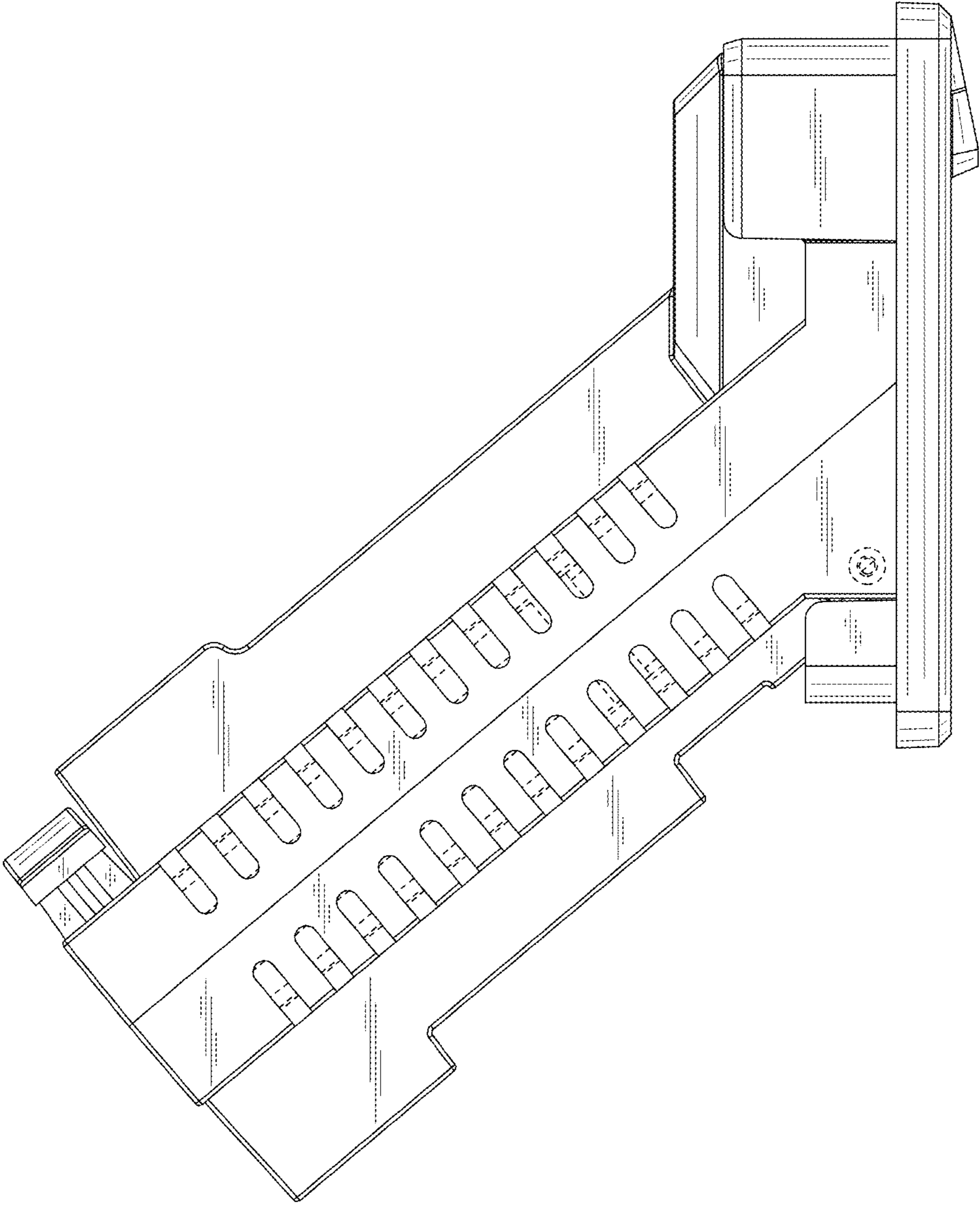


FIG. 5

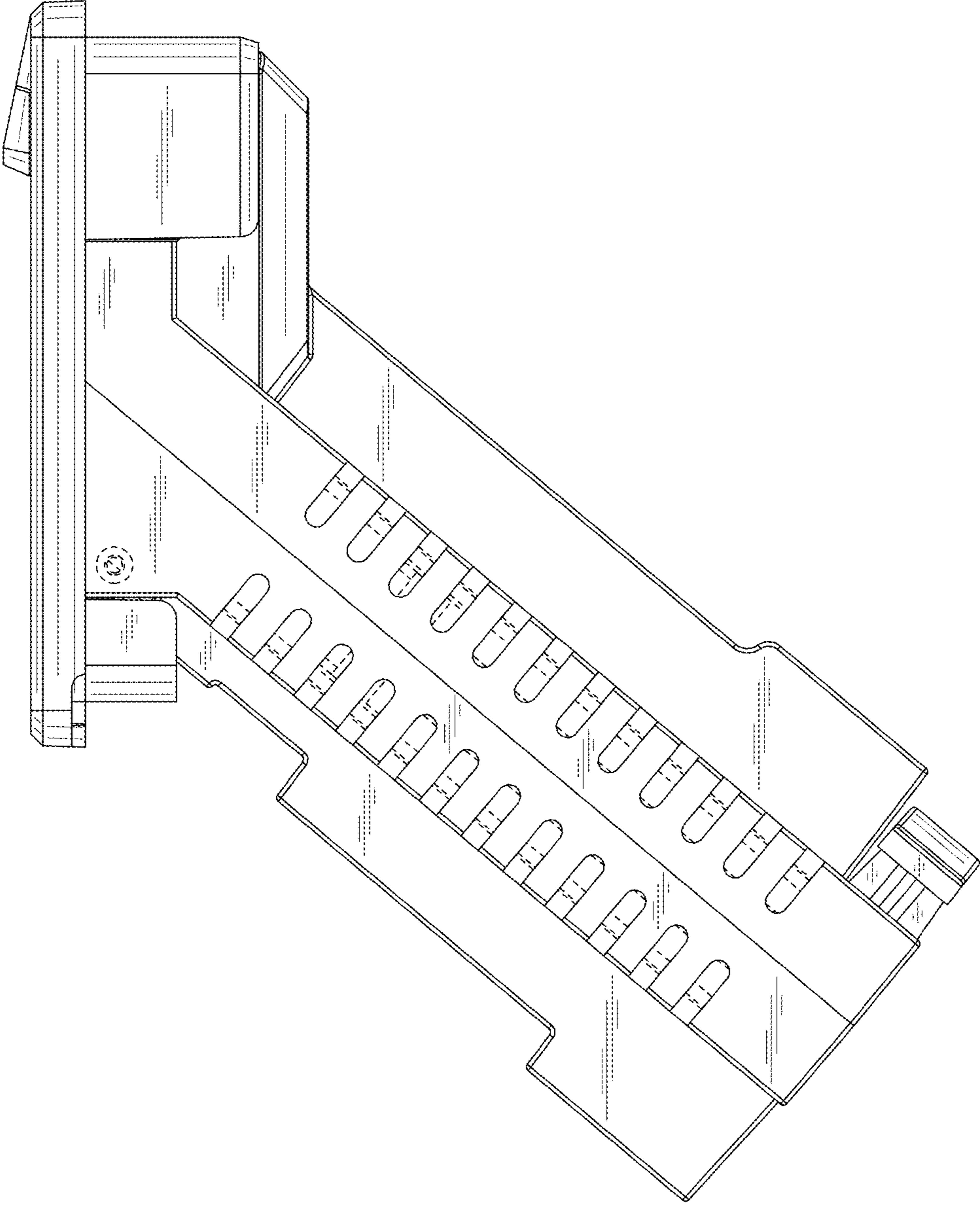


FIG. 6

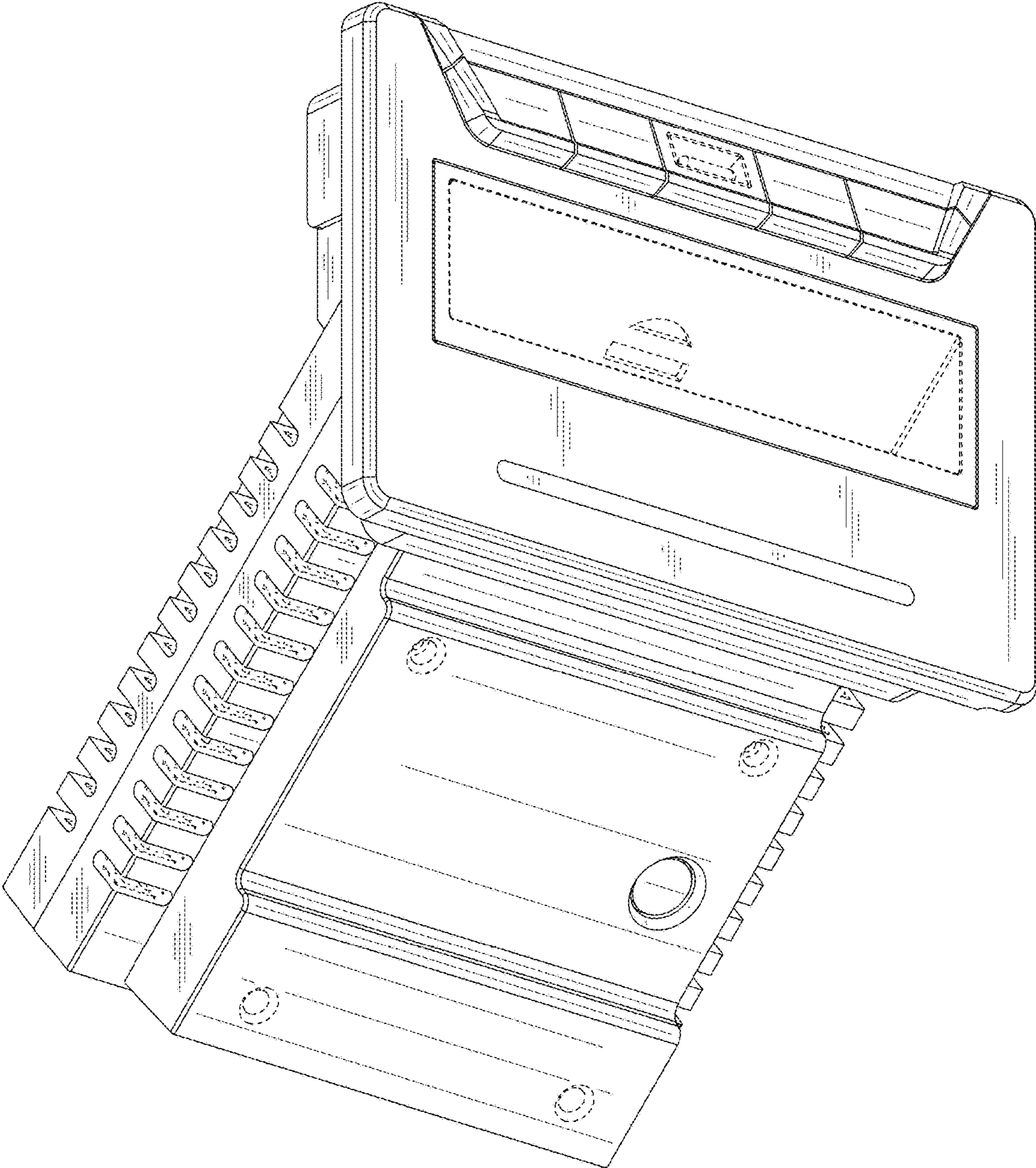


FIG. 7