



US00D804407S

(12) **United States Design Patent** (10) **Patent No.:** **US D804,407 S**
Au (45) **Date of Patent:** **** Dec. 5, 2017**

(54) **PANEL RAIL SADDLE DEVICE FOR SOLAR MODULE**

(71) Applicant: **NEXTracker, Inc.**, Fremont, CA (US)

(72) Inventor: **Alexander W. Au**, El Cerrito, CA (US)

(73) Assignee: **NEXTRACKER INC.**, Fremont, CA (US)

(**) Term: **15 Years**

(21) Appl. No.: **29/527,987**

(22) Filed: **May 22, 2015**

D689,434 S *	9/2013	Tilscher	D13/119
D713,784 S *	9/2014	Wildes	D13/102
9,347,691 B2 *	5/2016	West	H02S 20/30
D758,834 S *	6/2016	Tally	D8/380
2007/0144575 A1 *	6/2007	Mascolo	F24J 2/4636
				136/246
2009/0025708 A1 *	1/2009	Shingleton	F24J 2/5431
				126/600
2010/0212714 A1 *	8/2010	Rothschild	F24J 2/5237
				136/244
2011/0073104 A1 *	3/2011	Dopp	F24J 2/055
				126/651
2011/0278411 A1 *	11/2011	Carbonare	F24J 2/5239
				248/237
2012/0006386 A1 *	1/2012	Klinga	H01L 31/05
				136/251
2014/0130847 A1 *	5/2014	West	F24J 2/5211
				136/251

Related U.S. Application Data

(63) Continuation of application No. 14/489,416, filed on Sep. 17, 2014.

(51) **LOC (10) Cl.** **13-02**

(52) **U.S. Cl.**
USPC **D13/102**

(58) **Field of Classification Search**
USPC D13/102, 101, 103, 118, 119, 184, 199;
126/561, 667; 136/206, 244, 251, 291,
136/292; 438/597
CPC Y02E 10/47; Y02E 10/50; Y02E 10/52;
H02S 20/00; F24J 2/5237
See application file for complete search history.

References Cited

U.S. PATENT DOCUMENTS

5,092,939 A *	3/1992	Nath	E04D 3/3605
				136/251
D361,561 S *	8/1995	Baudot	D14/447
D547,262 S *	7/2007	Ullman	D13/102
D564,958 S *	3/2008	Almy	D13/102
D606,938 S *	12/2009	Mack	D13/119
D651,969 S *	1/2012	Turk	D13/102
D651,970 S *	1/2012	Turk	D13/102

* cited by examiner

Primary Examiner — Derrick Holland
Assistant Examiner — Jennifer O King
(74) *Attorney, Agent, or Firm* — Richard T. Ogawa;
Ogawa P.C.

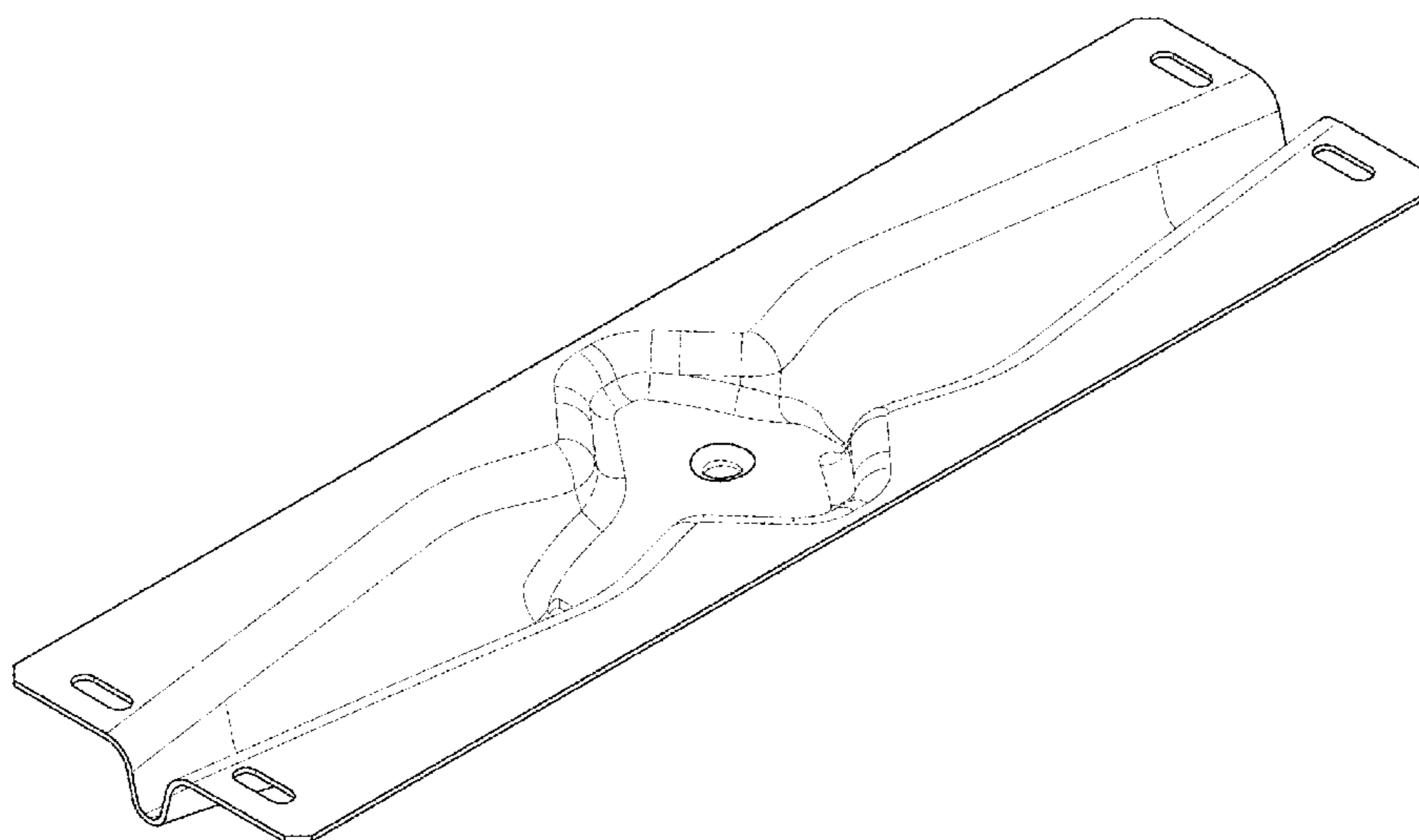
(57) **CLAIM**

The ornamental design for a panel rail saddle device for solar module, as shown and described.

DESCRIPTION

FIG. 1 is a perspective view of a panel rail saddle device for solar module showing our new design;
FIG. 2 is a front view thereof;
FIG. 3 is a back view thereof;
FIG. 4 is a first side view thereof;
FIG. 5 is a second side view thereof;
FIG. 6 is a top view thereof; and,
FIG. 7 is a bottom view thereof.
The broken line shown represent unclaimed subject matter and form no part of the claimed design.

1 Claim, 7 Drawing Sheets



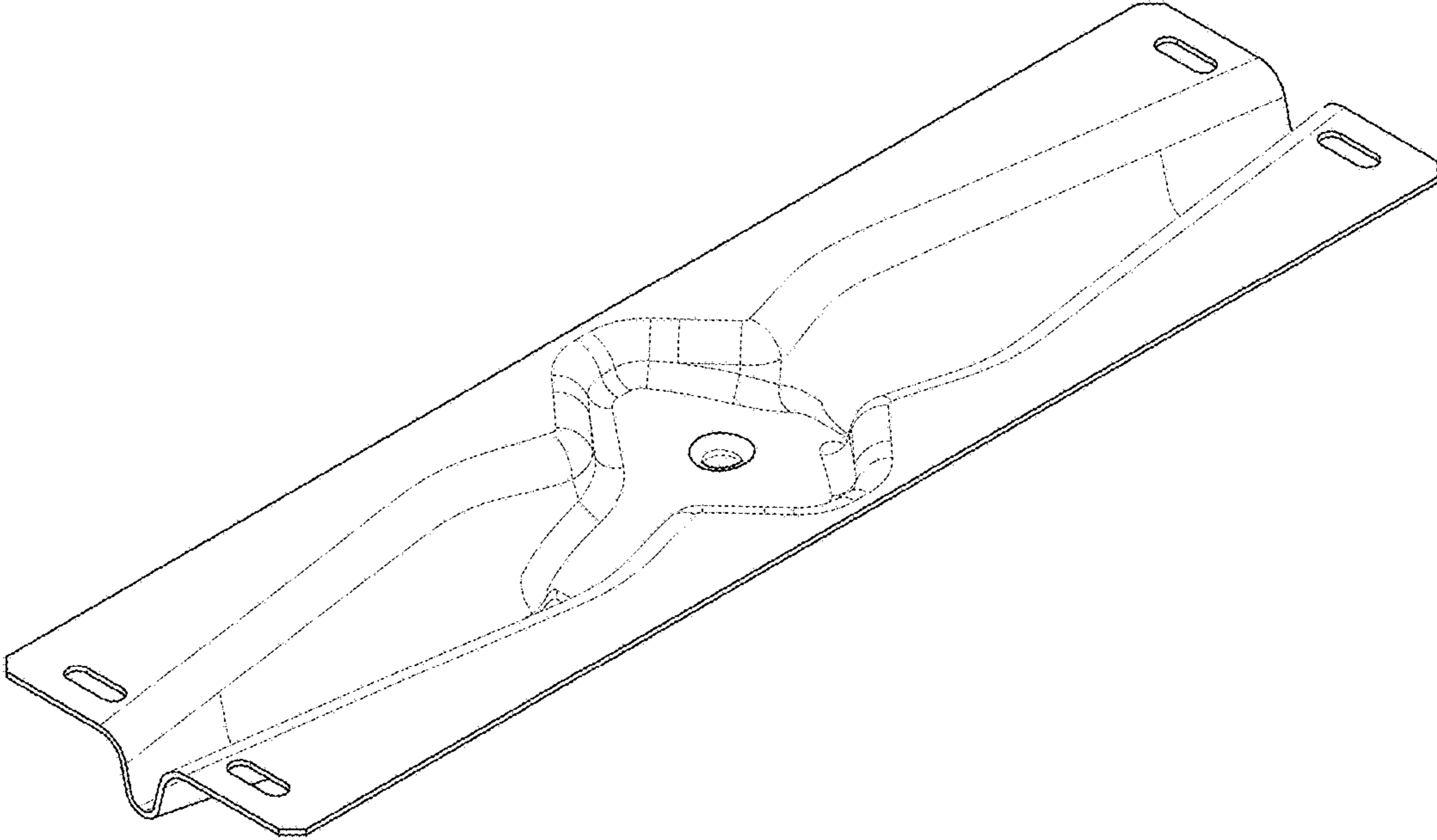


Figure 1

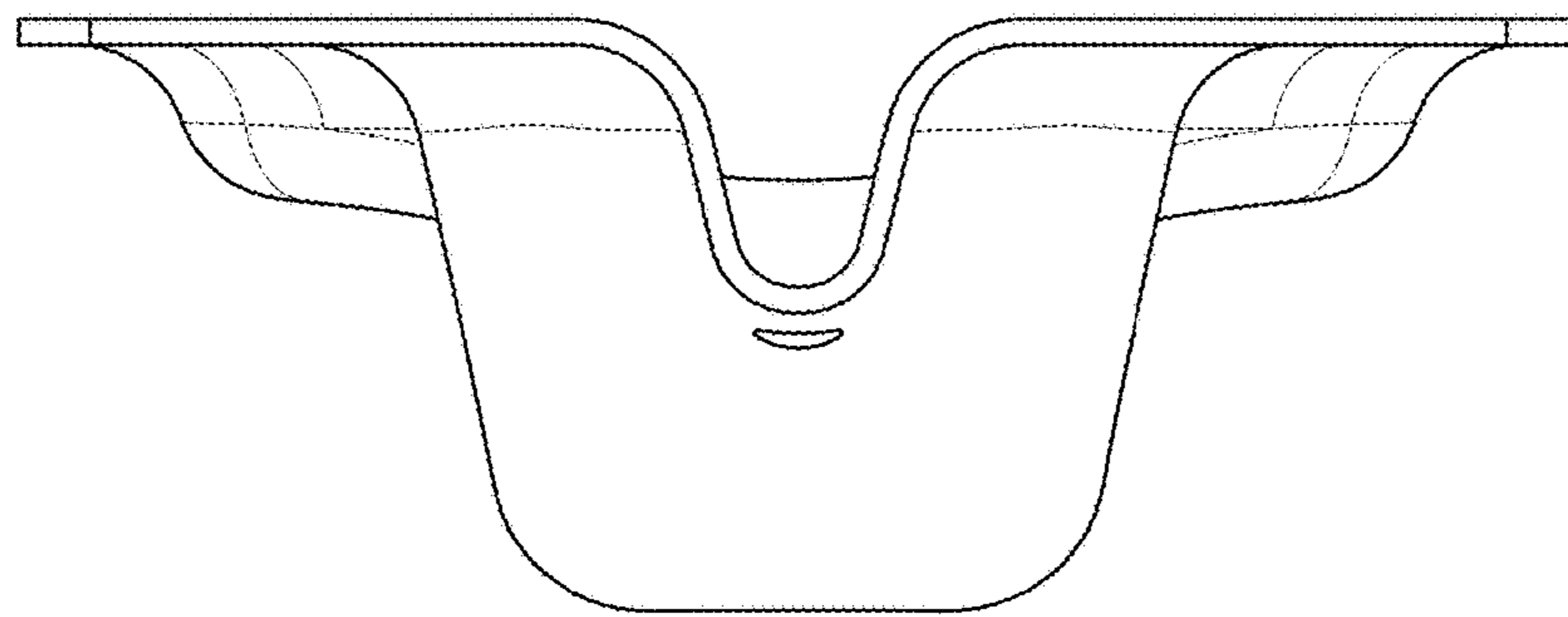


Figure 2

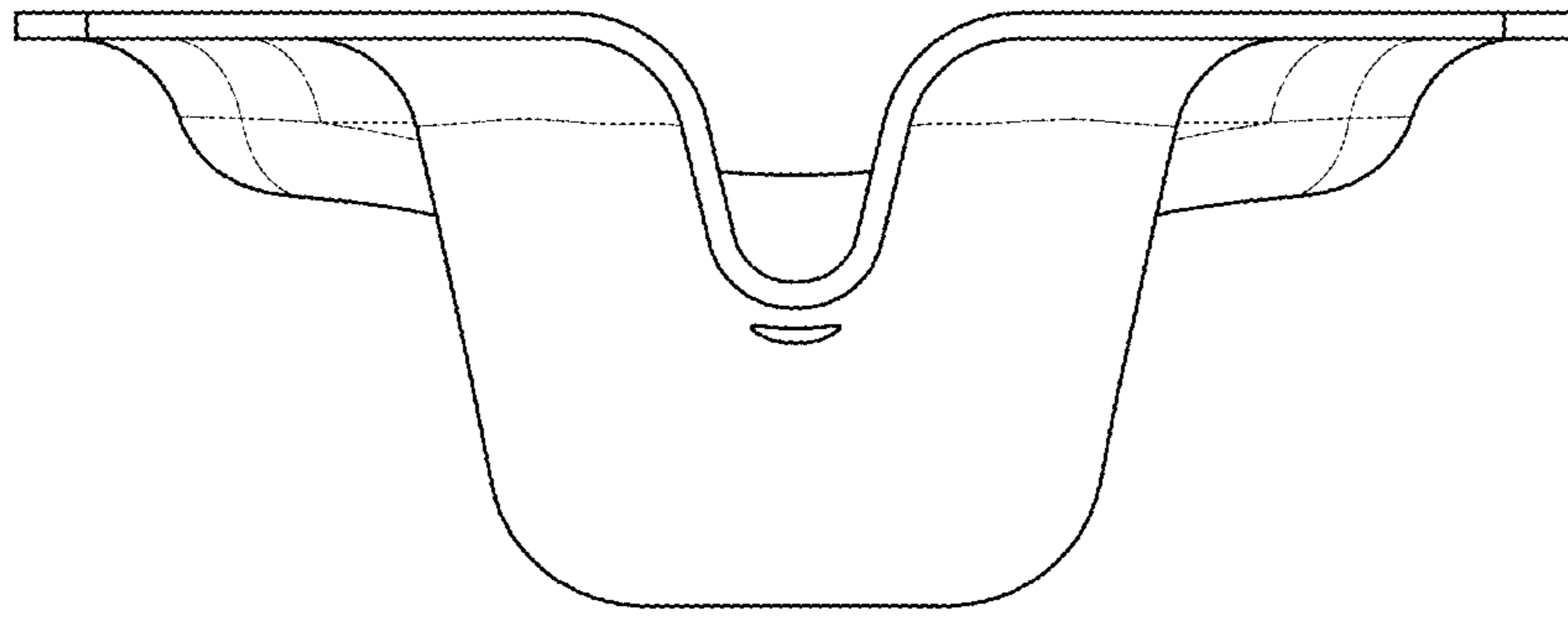


Figure 3

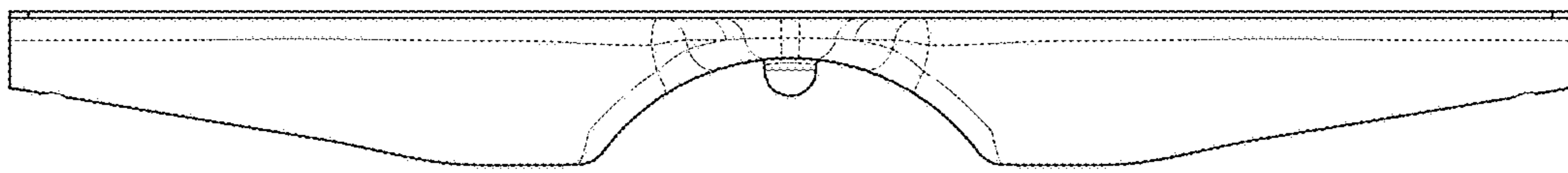


Figure 4

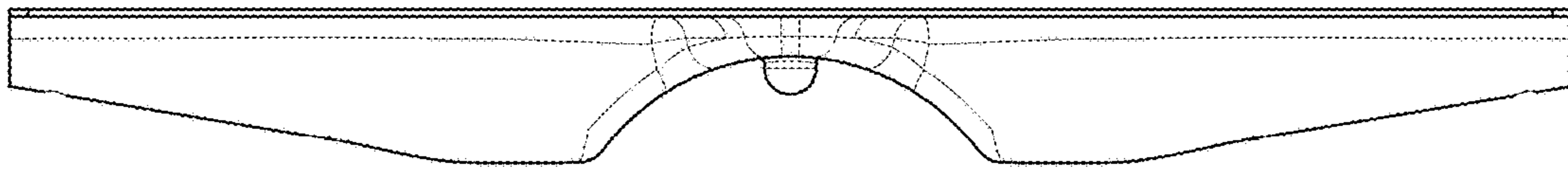


Figure 5

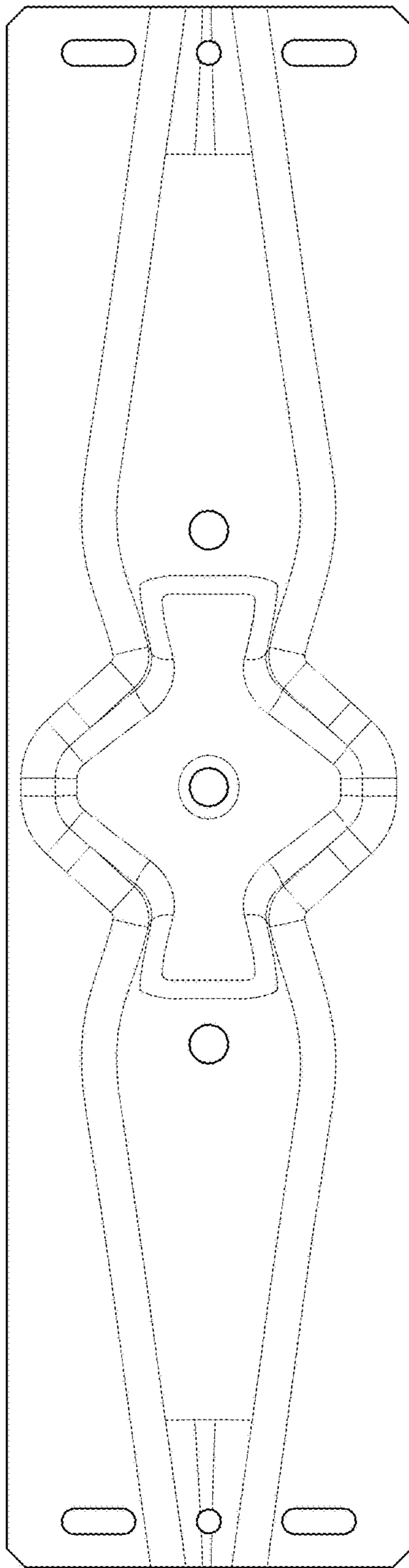


Figure 6

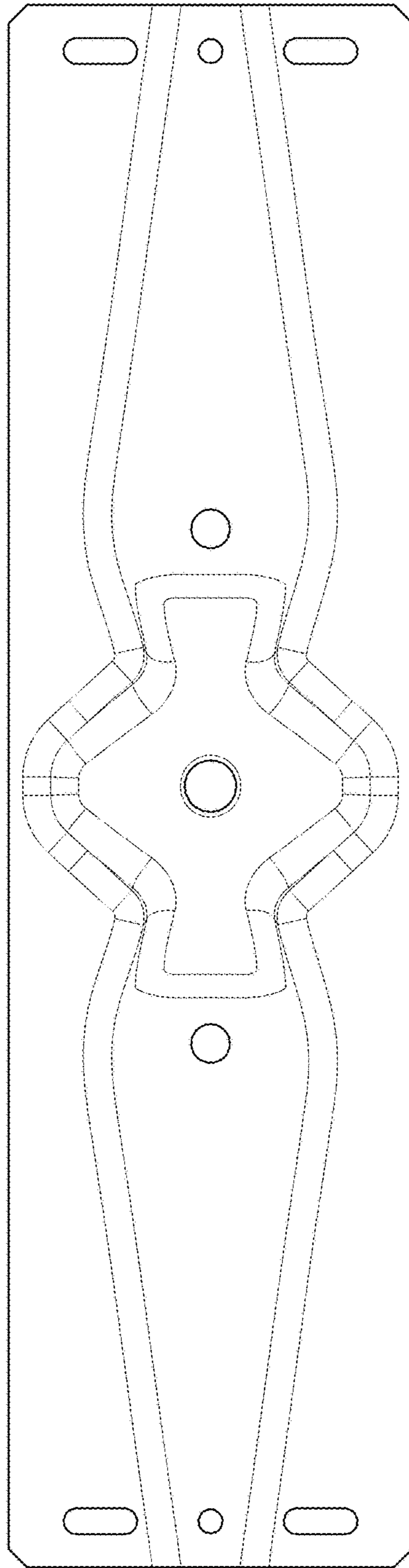


Figure 7