



US00D804406S

(12) **United States Design Patent**  
**Aiken**

(10) **Patent No.:** **US D804,406 S**

(45) **Date of Patent:** **\*\* Dec. 5, 2017**

(54) **MOUNTING PLATFORM FOR PARALLEL  
CONNECTED SOLAR CELLS**

(71) Applicant: **SolAero Technologies Corp.,**  
Albuquerque, NM (US)

(72) Inventor: **Daniel Aiken, Cedar Crest, NM (US)**

(73) Assignee: **SolAero Technologies Corp.,**  
Albuquerque, NM (US)

(\*\*) Term: **14 Years**

(21) Appl. No.: **29/515,727**

(22) Filed: **Jan. 26, 2015**

(51) **LOC (10) Cl.** ..... **13-02**

(52) **U.S. Cl.**  
USPC ..... **D13/102**

(58) **Field of Classification Search**  
USPC ..... D13/102, 118, 184, 199; D8/349, 354,  
D8/355, 356; D25/119, 123, 124, 125;  
52/173.3, 460; 126/573, 580; 136/206,  
136/244-251, 256, 291, 292; 439/567  
CPC ..... H02S 20/24; H02S 30/10; H02S 30/20;  
H01L 31/042; H01L 31/0512; F16B 1/00;  
F16B 2001/0064; F24J 2/5205; F24J  
2/5237; F24J 2/5245; F24J 2/5254; F24J  
2/5256

See application file for complete search history.

(56) **References Cited**

**U.S. PATENT DOCUMENTS**

D240,630 S \* 7/1976 Osaka ..... D13/102  
D547,262 S \* 7/2007 Ullman ..... D13/102  
D588,534 S \* 3/2009 Sharma ..... D13/102  
D591,229 S \* 4/2009 Sharma ..... D13/102

D613,243 S \* 4/2010 Burtt ..... D13/102  
D653,201 S \* 1/2012 Sillett ..... D13/102  
8,813,441 B2 \* 8/2014 Rizzo ..... F24J 2/5245  
248/148  
2009/0114270 A1 \* 5/2009 Stancel ..... F24J 2/5247  
136/251  
2010/0219304 A1 \* 9/2010 Miros ..... F24J 2/5205  
248/125.8  
2010/0275975 A1 \* 11/2010 Monschke ..... F24J 2/5207  
136/251

\* cited by examiner

*Primary Examiner* — Derrick Holland

(57) **CLAIM**

The ornamental design for a mounting platform for parallel connected solar cells, as shown and described.

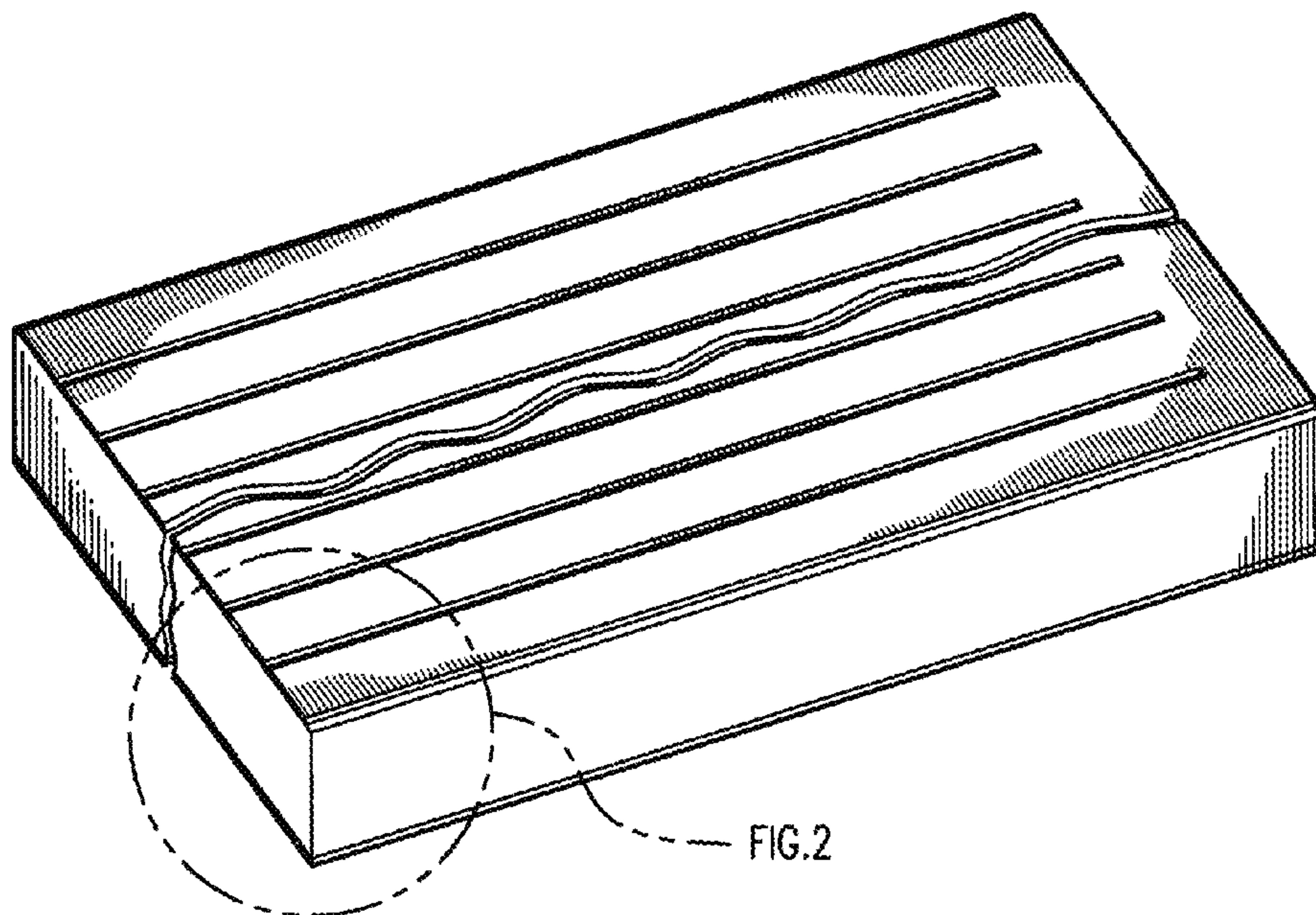
**DESCRIPTION**

FIG. 1 is a top perspective view of a mounting platform for parallel connected solar cells showing my new design; FIG. 2 is an enlarged partial view thereof, taken from FIG. 1; FIG. 3 is a top plan view thereof; FIG. 4 is a bottom plan view thereof; FIG. 5 is a front side elevation view thereof; FIG. 6 is a rear side elevation view thereof; FIG. 7 is a left side elevation view thereof; and, FIG. 8 is a right side elevation view thereof.

The mounting platform for parallel connected solar cells is shown with a symbolic break in its length. The appearance of any portion of the article between the break lines forms no part of the claimed design.

The broken lines shown represent boundaries lines and form no part of the claimed design.

**1 Claim, 6 Drawing Sheets**



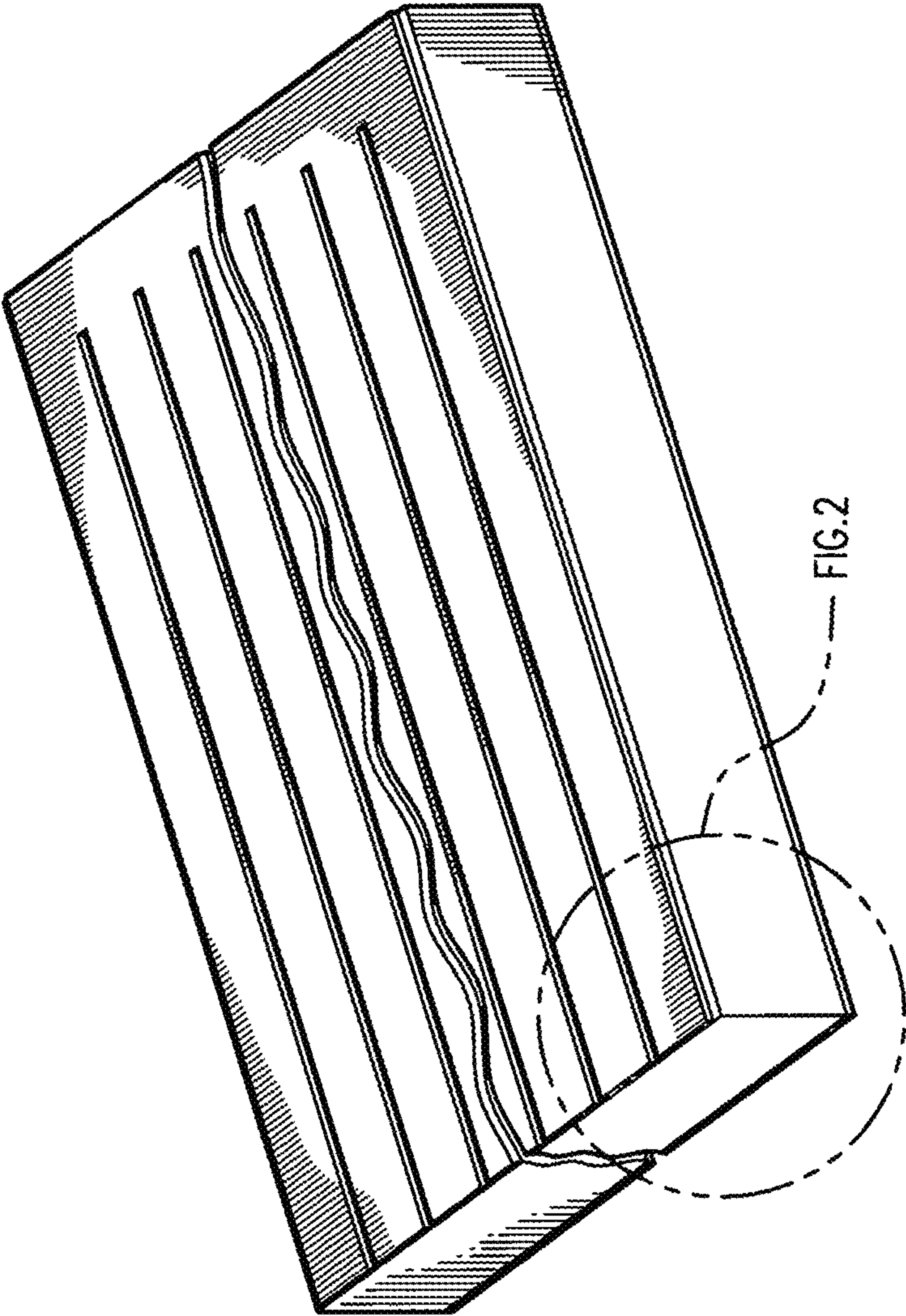


FIG. 1

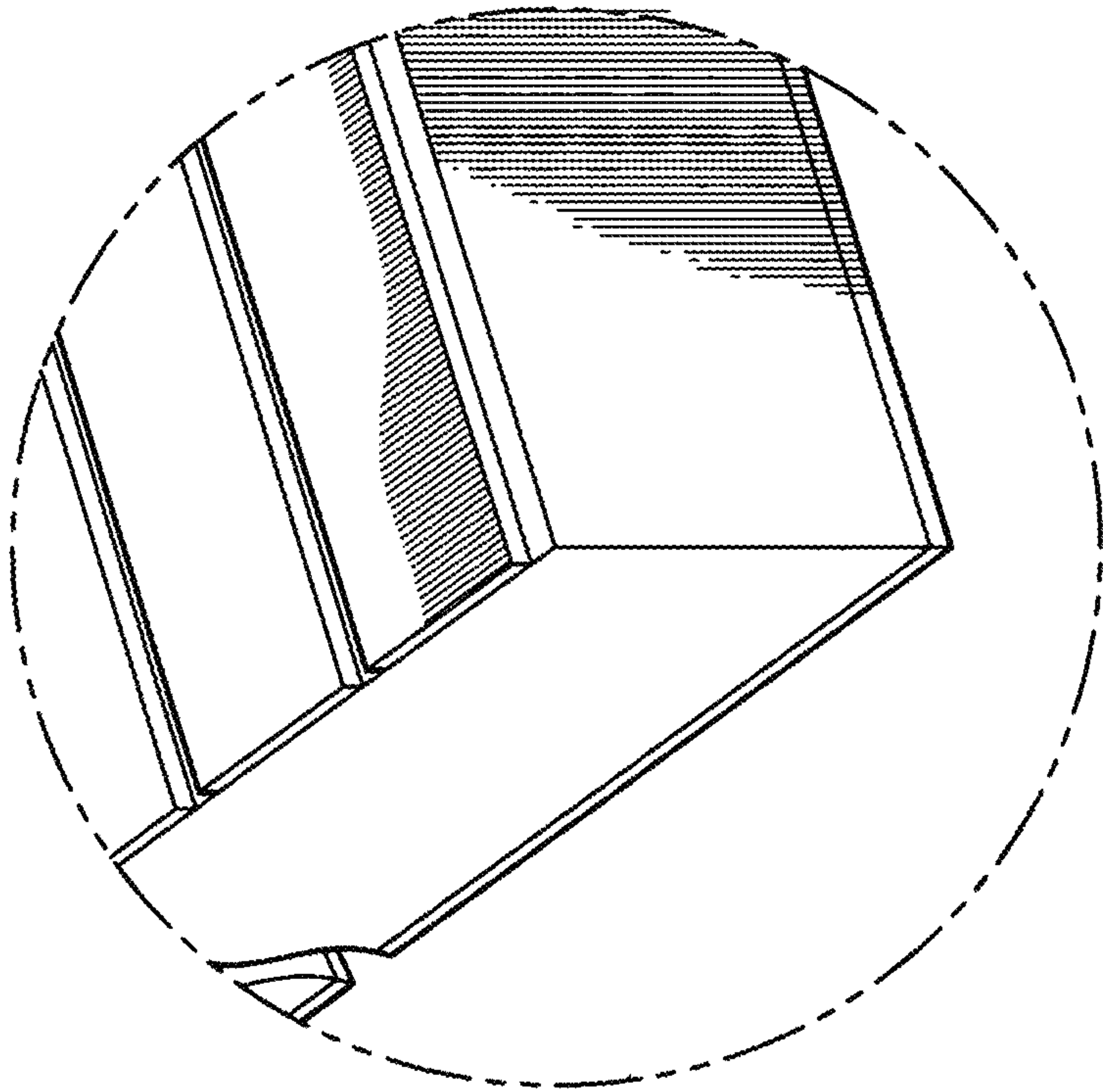


FIG. 2



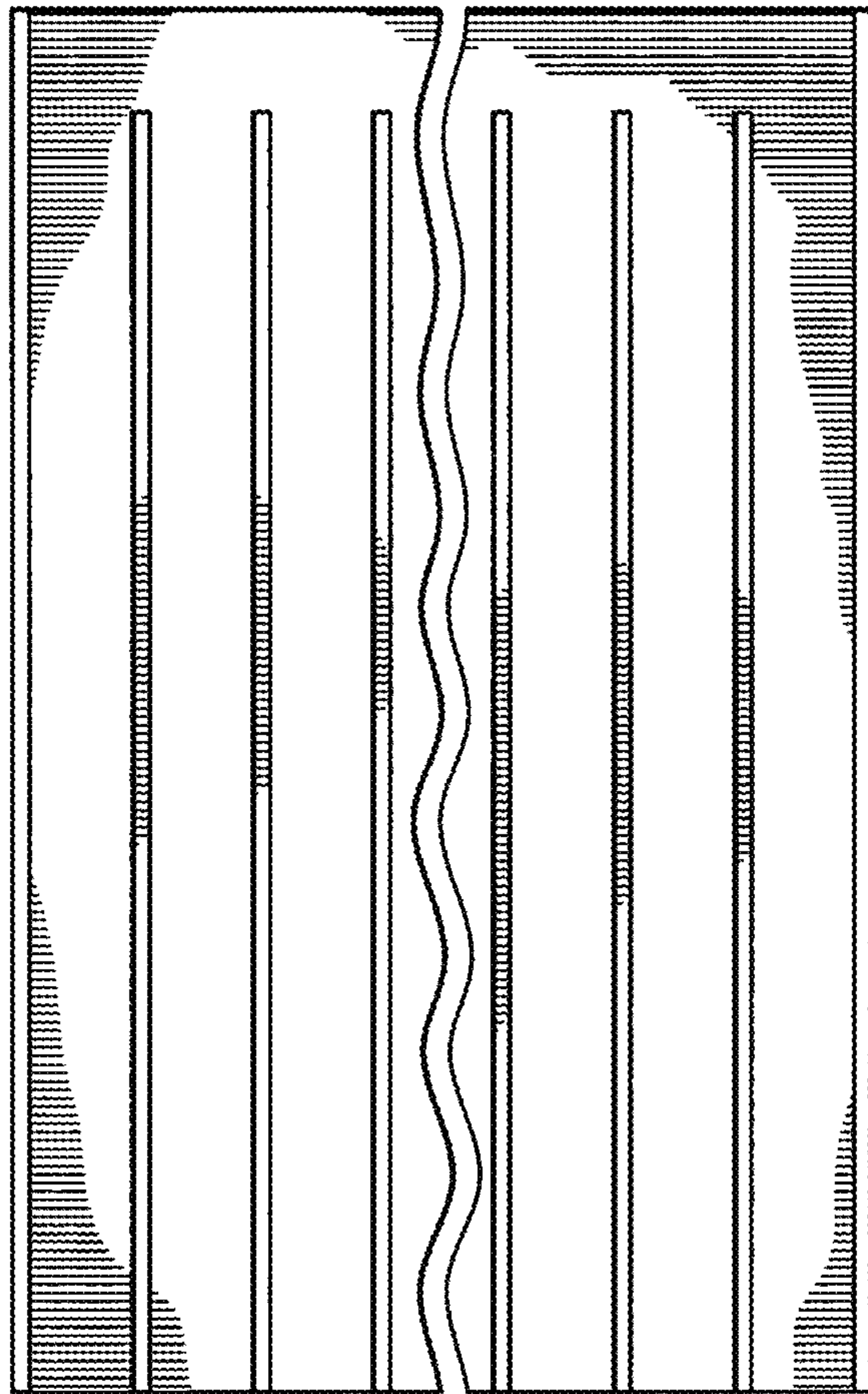


FIG. 3

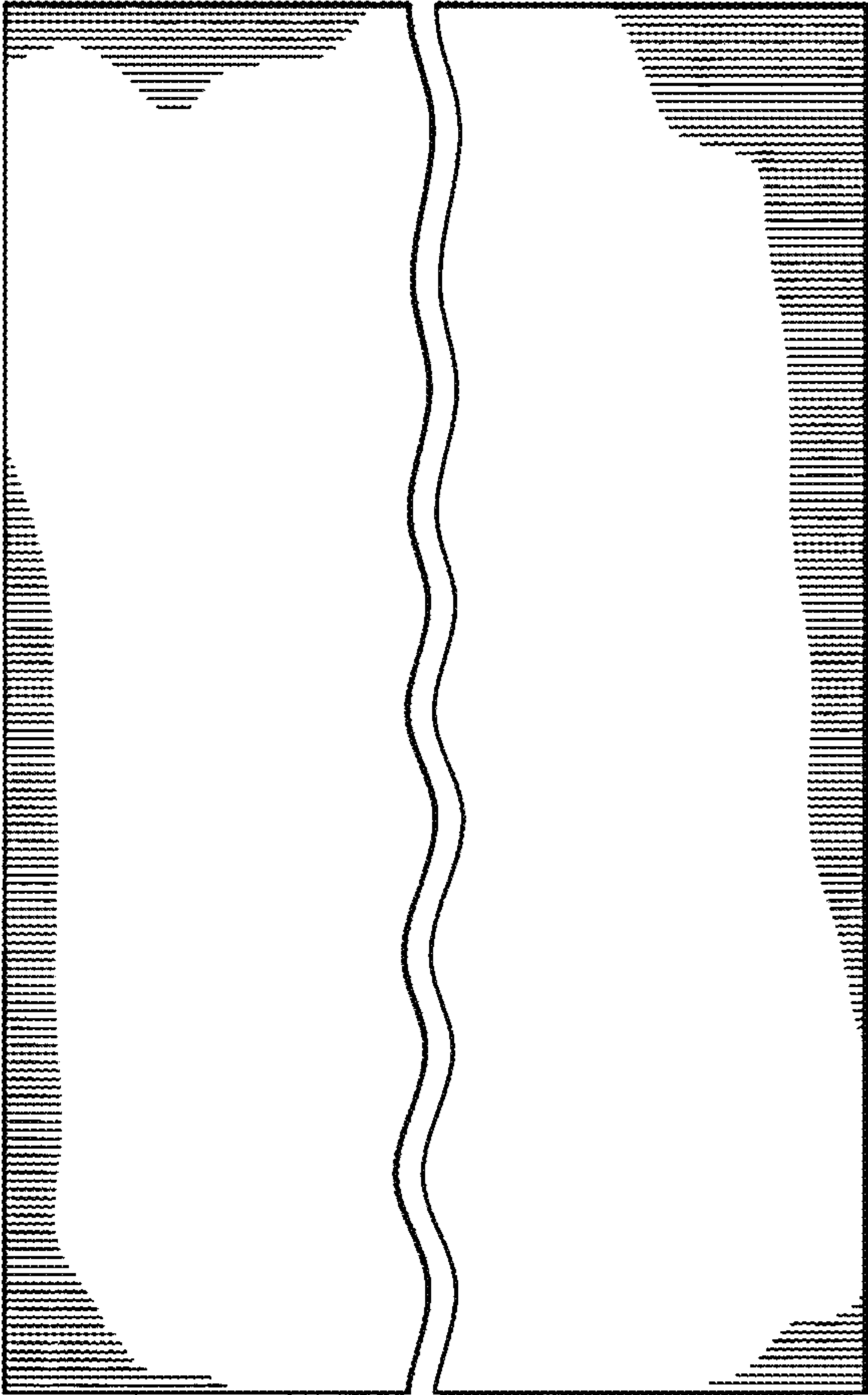


FIG. 4

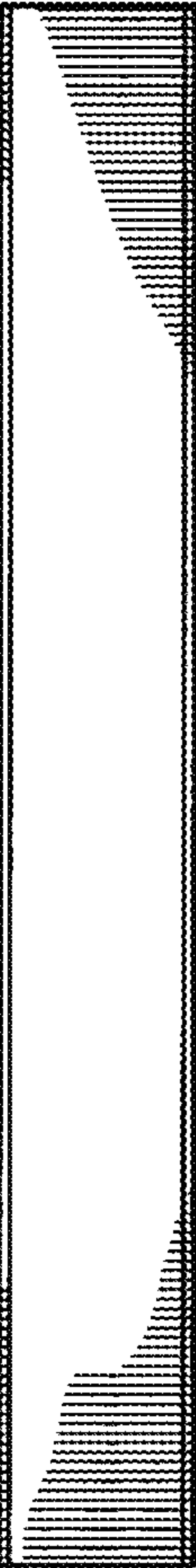


FIG. 5

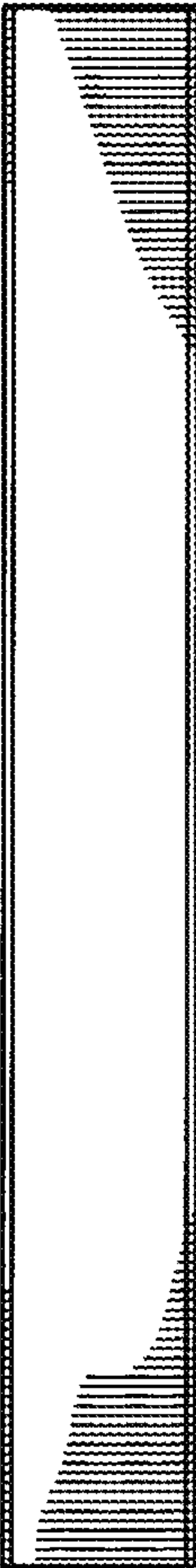


FIG. 6

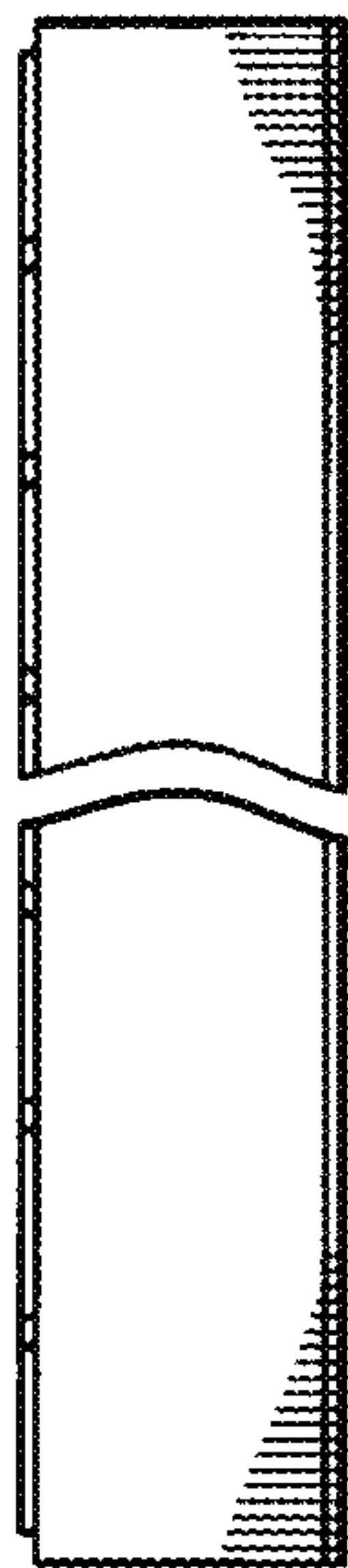


FIG. 7

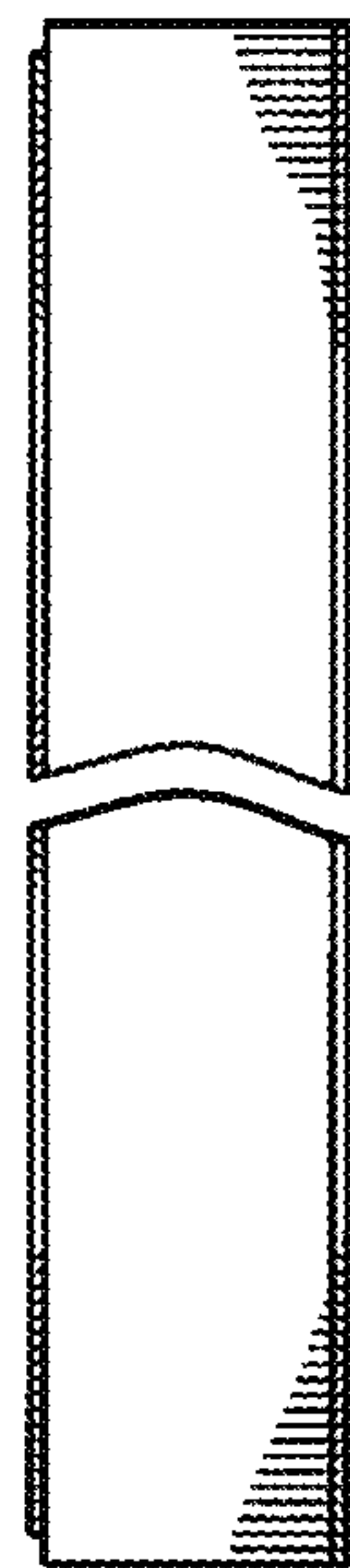


FIG. 8