



US00D804405S

(12) **United States Design Patent** (10) **Patent No.:** **US D804,405 S**  
**Franks et al.** (45) **Date of Patent:** **\*\* Dec. 5, 2017**

(54) **TIRE SIDEWALL**  
(71) Applicant: **The Goodyear Tire & Rubber Company, Akron, OH (US)**  
(72) Inventors: **Stephanie Sue Franks, Ravenna, OH (US); Jonathan James Shondel, Massillon, OH (US)**  
(73) Assignee: **The Goodyear Tire & Rubber Company, Akron, OH (US)**  
(\*\*) Term: **15 Years**  
(21) Appl. No.: **29/573,035**  
(22) Filed: **Aug. 2, 2016**  
(51) **LOC (10) Cl.** ..... **12-15**  
(52) **U.S. Cl.**  
USPC ..... **D12/605**  
(58) **Field of Classification Search**  
USPC ..... D12/604, 605  
CPC ..... B60C 13/00; B60C 1/00  
See application file for complete search history.

(56) **References Cited**

**U.S. PATENT DOCUMENTS**

D349,210 S *	8/1994	Capella	.....	D7/396.4
D540,250 S	4/2007	Shondel	.....	D12/605
D540,740 S *	4/2007	Maxwell	.....	D12/605
D542,220 S *	5/2007	Shondel	.....	D12/605
D543,496 S	5/2007	Shondel et al.	.....	D12/605
D543,497 S	5/2007	Maxwell et al.	.....	D12/605
D543,499 S	5/2007	Shondel	.....	D12/605
D543,932 S *	6/2007	Shondel	.....	D12/605
D547,261 S	7/2007	Shondel et al.	.....	D12/605
D549,165 S	8/2007	Shondel et al.	.....	D12/605
D549,168 S	8/2007	Shondel et al.	.....	D12/605
D550,150 S	9/2007	Shondel	.....	D12/605
D557,202 S	12/2007	Shondel	.....	D12/605
D558,138 S	12/2007	Shondel	.....	D12/605

D563,310 S *	3/2008	Shondel	.....	D12/605
D568,236 S	5/2008	Holden et al.	.....	D12/605
D574,320 S	8/2008	Dixon	.....	D12/605
D585,017 S *	1/2009	Shondel	.....	D12/605
D585,018 S *	1/2009	Shondel	.....	D12/605
D588,529 S	3/2009	Reese et al.	.....	D12/605
D597,480 S	8/2009	Umstot et al.	.....	D12/605
D608,274 S *	1/2010	Takahashi	.....	D12/605
D610,980 S	3/2010	Shondel	.....	D12/605
D610,981 S *	3/2010	Shondel	.....	D12/605
D614,123 S *	4/2010	Harvey	.....	D12/605
D628,959 S *	12/2010	Harvey	.....	D12/605
D629,745 S *	12/2010	Shondel	.....	D12/605
D638,783 S *	5/2011	Endou	.....	D12/605
D640,187 S	6/2011	Fontaine et al.	.....	D12/605
D662,877 S	7/2012	Arrant et al.	.....	D12/605
D667,369 S	9/2012	Fontaine et al.	.....	D12/605
D726,645 S *	4/2015	Scheifele	.....	D12/605
D726,646 S *	4/2015	Scheifele	.....	D12/605
D732,468 S *	6/2015	Schoeppner	.....	D12/605
D739,344 S *	9/2015	Kuwano	.....	D12/605

(Continued)

*Primary Examiner* — George D. Kirschbaum

*Assistant Examiner* — Clese Moore, Jr.

(74) *Attorney, Agent, or Firm* — Robert N. Lipsik

(57) **CLAIM**

The ornamental design for a tire sidewall, as shown and described.

**DESCRIPTION**

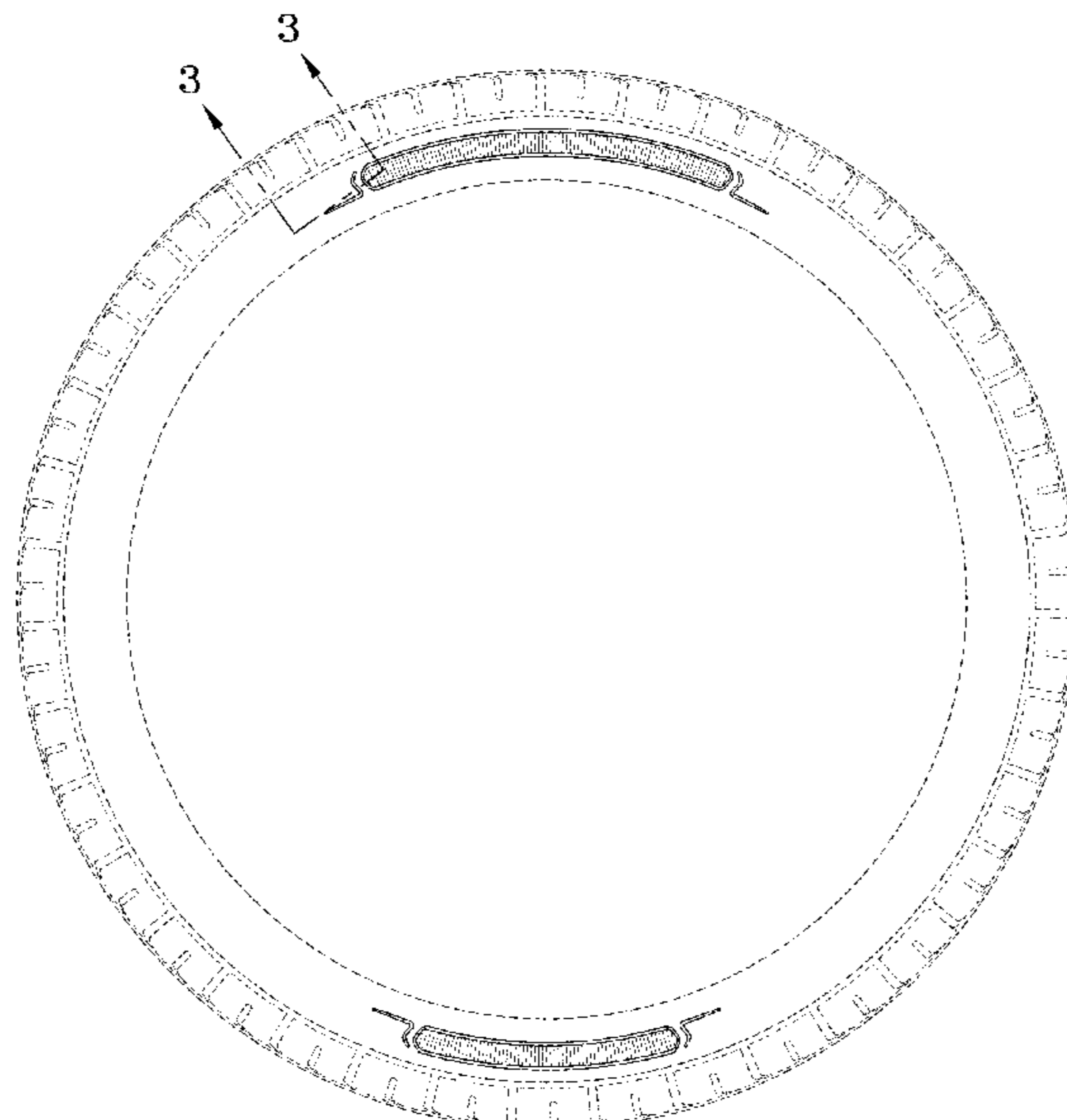
FIG. 1 is a front elevational view of a tire sidewall showing our new design;

FIG. 2 is a perspective view thereof; and,

FIG. 3 is a cross-sectional view taken along line 3-3 of FIG. 1.

In the drawings, the broken lines showing of the tire tread, inner bead and the peripheral boundary between the tire tread and the sidewall in FIG. 1 depict environmental subject matter and form no part of the claimed design.

**1 Claim, 3 Drawing Sheets**



(56)

**References Cited**

U.S. PATENT DOCUMENTS

D750,015 S *	2/2016	Scheifele .....	D12/605
D750,553 S *	3/2016	Scheifele .....	D12/605
D769,182 S *	10/2016	Iwabuchi .....	D12/605
D769,807 S *	10/2016	Ishikawa .....	D12/605

\* cited by examiner

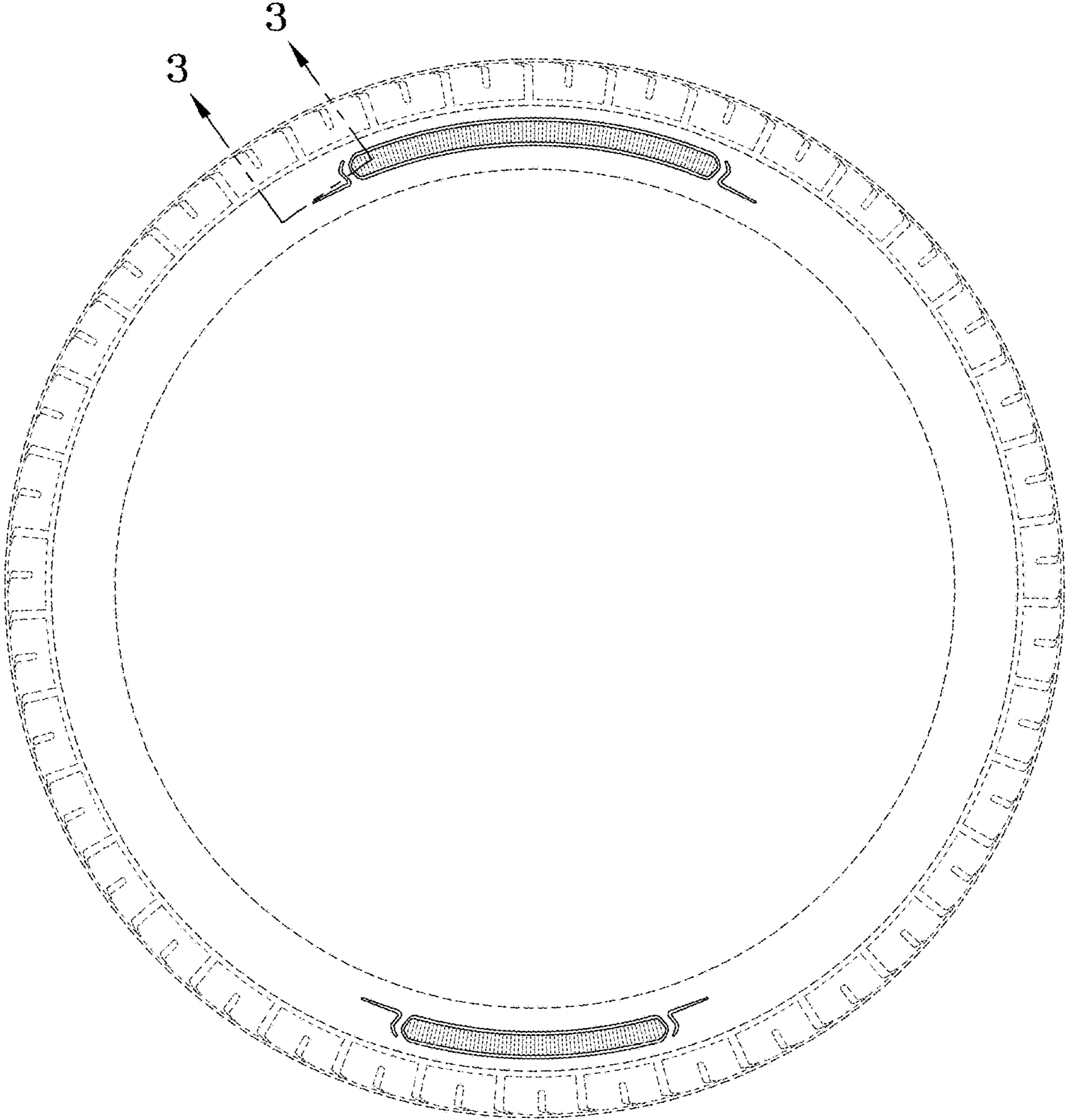


FIG-1

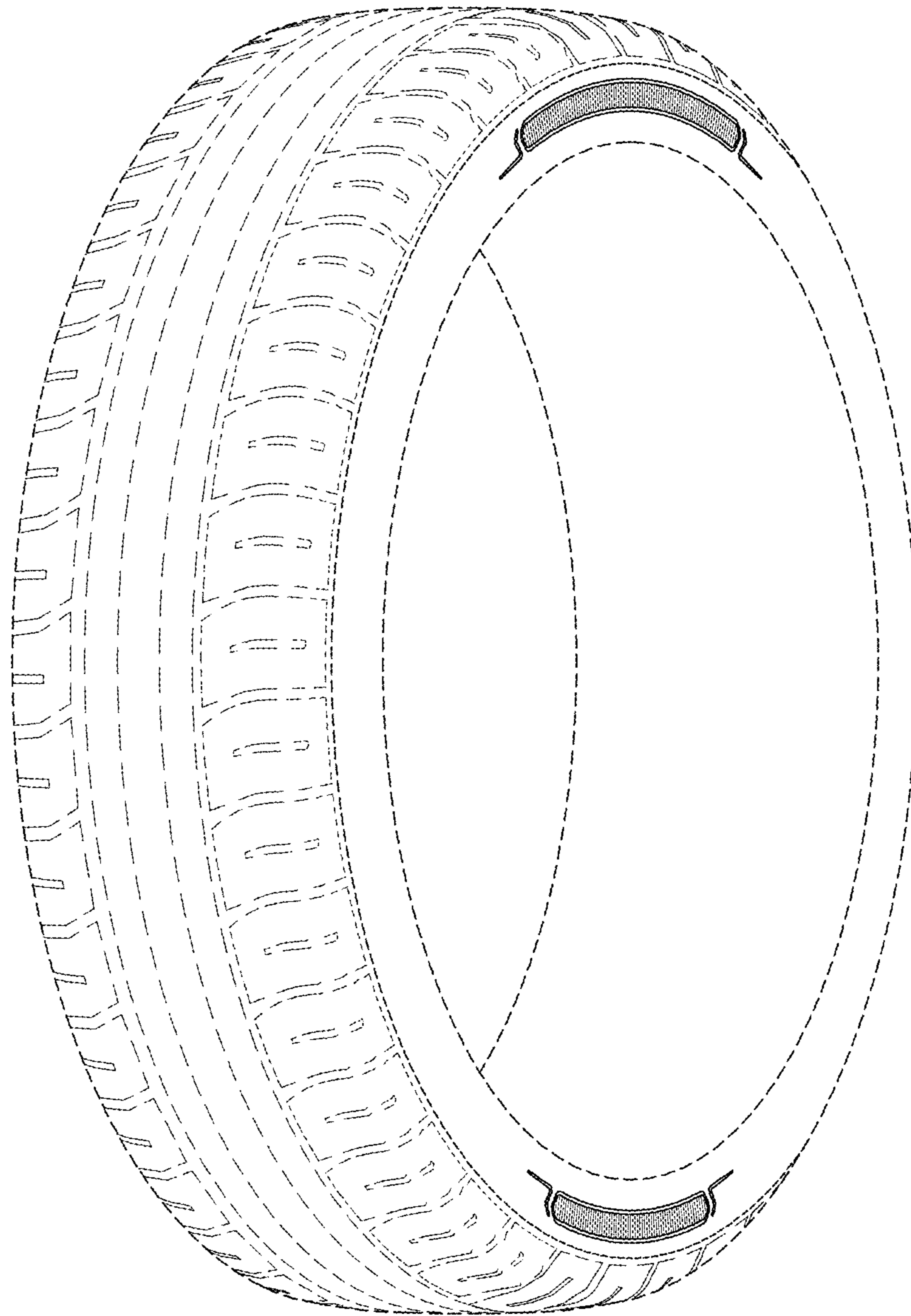


FIG-2

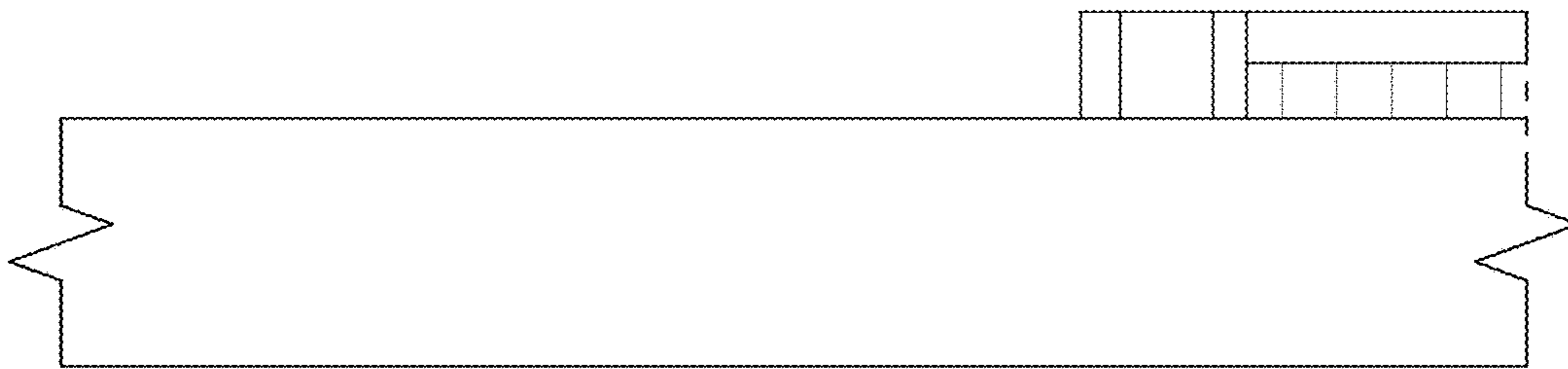


FIG-3