



US00D804393S

(12) **United States Design Patent** (10) **Patent No.:** **US D804,393 S**  
**Yoo et al.** (45) **Date of Patent:** **\*\* Dec. 5, 2017**

(54) **CONSOLE FOR AUTOMOBILE**

(71) Applicant: **Hyundai Mobis Co., Ltd.**, Seoul (KR)

(72) Inventors: **Sang Hun Yoo**, Seongnam-si (KR);  
**Sung Hee Lee**, Yongin-si (KR); **Han  
Tae Kang**, Suwon-si (KR); **Sang Seop  
Lee**, Yongin-si (KR); **Hyung Soo Kim**,  
Yongin-si (KR)

(73) Assignee: **Hyundai Mobis Co., Ltd.**, Seoul (KR)

(\*\*) Term: **15 Years**

(21) Appl. No.: **29/587,238**

(22) Filed: **Dec. 12, 2016**

(30) **Foreign Application Priority Data**

Jun. 15, 2016 (KR) ..... 30-2016-0028930

(51) **LOC (10) Cl.** ..... **12-16**

(52) **U.S. Cl.**  
USPC ..... **D12/415**

(58) **Field of Classification Search**  
USPC ..... D12/415-420, 400, 195, 191, 106, 345,  
D12/96, 99  
CPC ..... B60R 2011/0007  
See application file for complete search history.

(56) **References Cited**

**U.S. PATENT DOCUMENTS**

D522,957 S *	6/2006	Miyashita	.....	D12/415
D568,232 S *	5/2008	Motozaki	.....	D12/421
D718,218 S *	11/2014	Tanaka	.....	D12/424
D724,521 S *	3/2015	Ashley	.....	D12/419
D725,583 S *	3/2015	Seki	.....	D12/419
9,199,579 B2 *	12/2015	Gillis	.....	B60R 7/04

D766,811 S *	9/2016	Shouno	.....	D12/419
D766,812 S *	9/2016	Kabata	.....	D12/423
D770,361 S *	11/2016	Chan	.....	D12/419
D770,968 S *	11/2016	Willis	.....	D12/415
D781,210 S *	3/2017	Itou	.....	D12/419
D792,834 S *	7/2017	Ito	.....	D12/419

**OTHER PUBLICATIONS**

“Hyundai Mobis participated at the Consumer Electronics Show in Las Vegas, Jan. 6, through 9, 2016 as the first Korean auto parts company and showed autonomous driving technology such as driving assistance system (DAS) and connected car”, Jan. 7, 2016, <http://www.rpm9.com/news/article.html?id=20160107090063>, 4 pages.

\* cited by examiner

*Primary Examiner* — Katrina A Betton

(74) *Attorney, Agent, or Firm* — H.C. Park & Associates, PLC

(57) **CLAIM**

The ornamental design for a console for automobile, as shown and described.

**DESCRIPTION**

FIG. 1 is a perspective view of a console for automobile; FIG. 2 is a left-side view thereof; FIG. 3 is a right-side view thereof; FIG. 4 is a rear view thereof; FIG. 5 is a front view thereof; FIG. 6 is a top plan view thereof; and, FIG. 7 is a bottom view thereof.

**1 Claim, 7 Drawing Sheets**

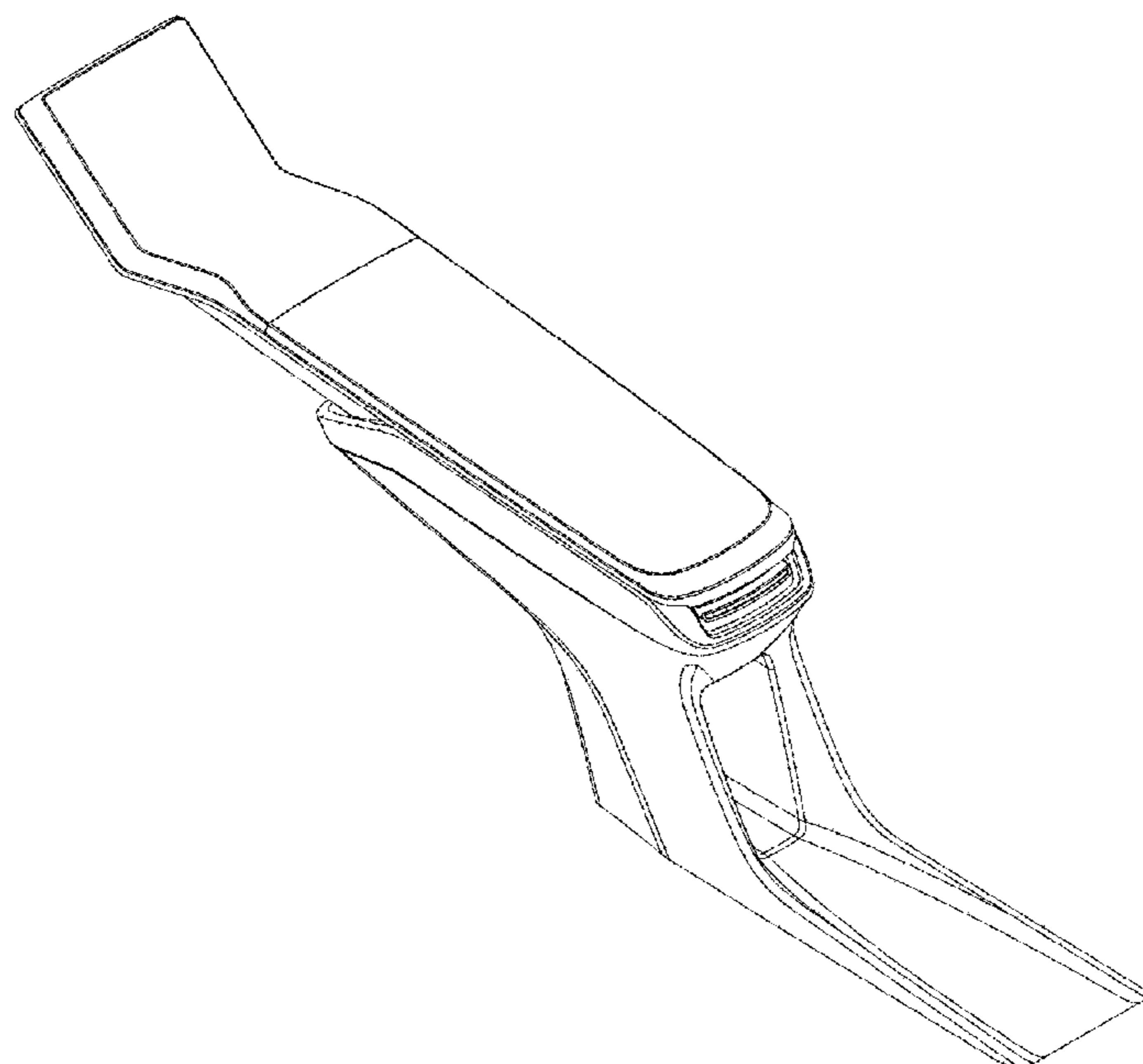


FIG. 1

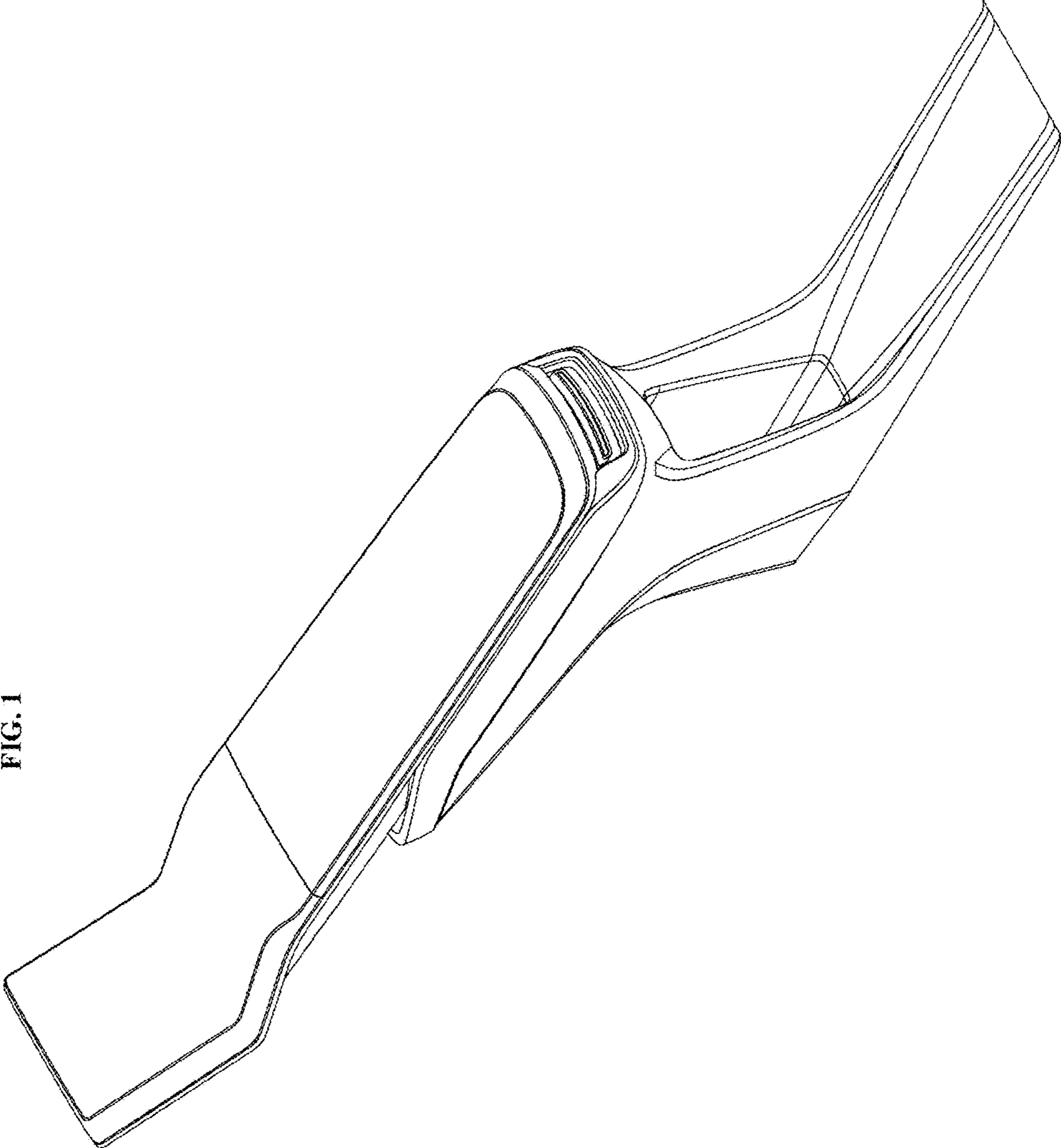


FIG. 2

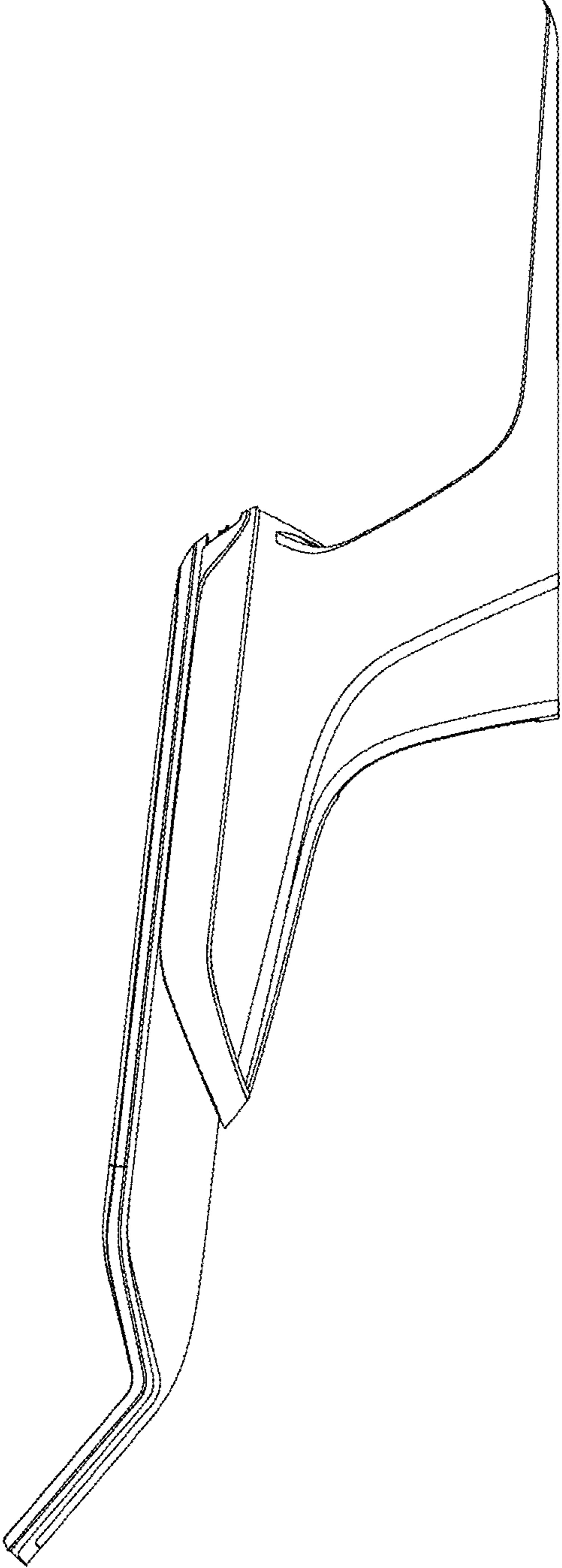


FIG. 3

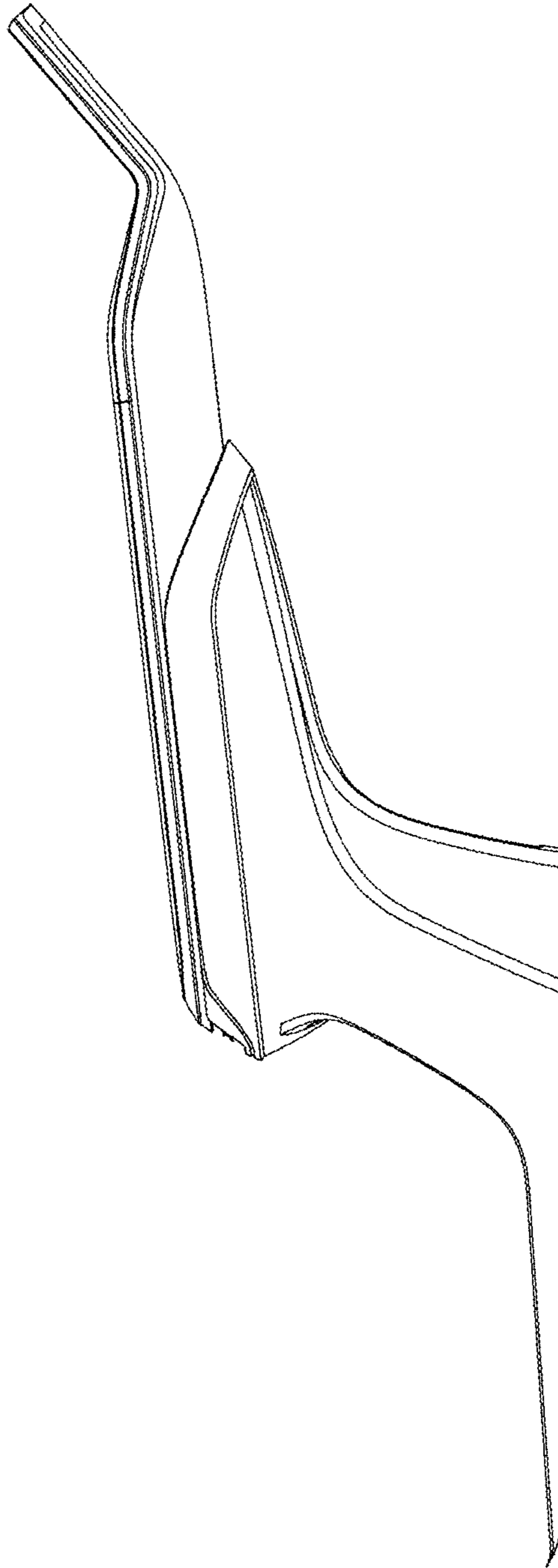


FIG. 4

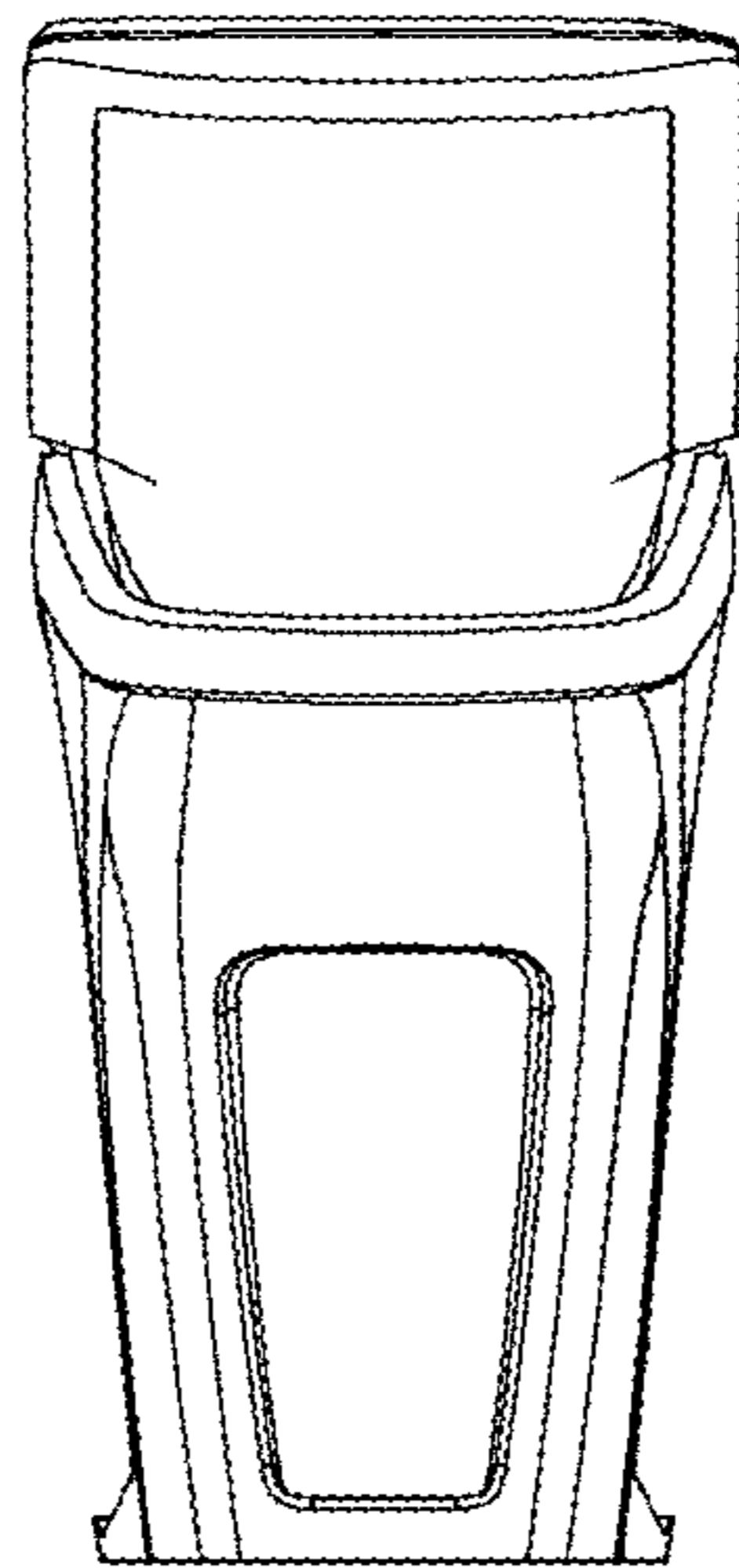


FIG. 5

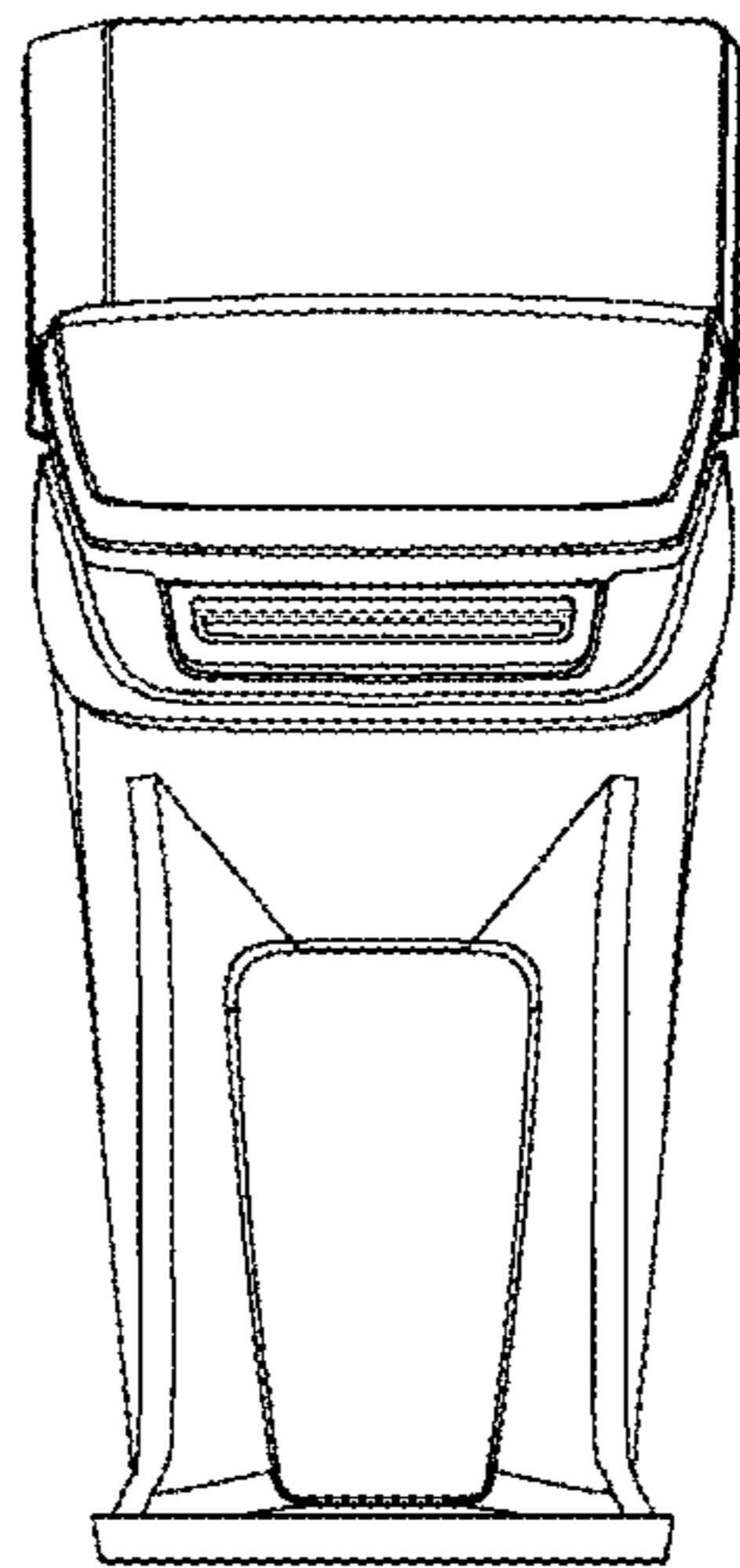


FIG. 6

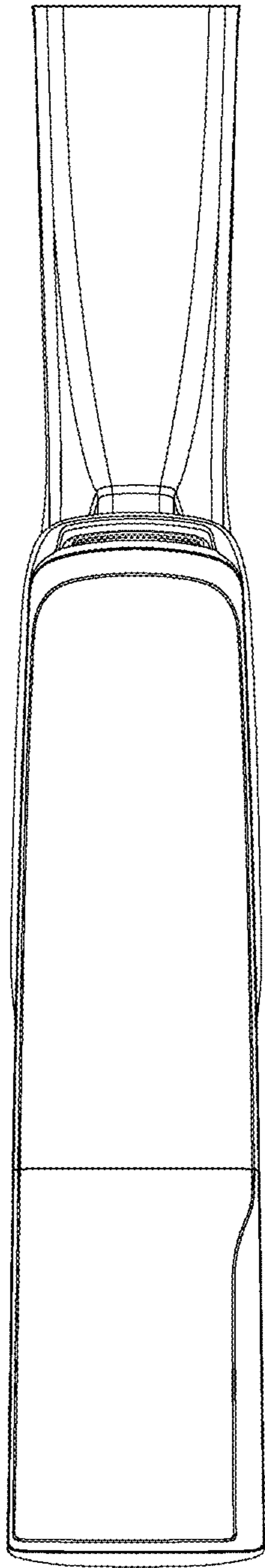


FIG. 7

