



US00D804392S

(12) **United States Design Patent** (10) **Patent No.:** **US D804,392 S**
Harvell (45) **Date of Patent:** **** Dec. 5, 2017**

(54) **PADDLE HAVING AN INTERNAL RESERVOIR**
(71) Applicant: **Ross Harvell**, Fayetteville, AR (US)
(72) Inventor: **Ross Harvell**, Fayetteville, AR (US)
(**) Term: **15 Years**
(21) Appl. No.: **29/540,971**
(22) Filed: **Sep. 29, 2015**
(51) **LOC (10) Cl.** **12-06**
(52) **U.S. Cl.**
USPC **D12/215**
(58) **Field of Classification Search**
USPC D12/215, 306, 317; D21/798, 801, 679
CPC B63H 16/04; B63H 16/046
See application file for complete search history.

(56) **References Cited**
U.S. PATENT DOCUMENTS
3,362,033 A * 1/1968 Fee B63H 16/04
416/72
D244,680 S * 6/1977 Leidigh D12/215
4,061,106 A * 12/1977 Ware B63H 16/04
416/74
4,133,285 A * 1/1979 Phillips B63H 16/04
416/74
D260,254 S * 8/1981 Heller D12/215
D297,927 S * 10/1988 Keal D12/215
D298,822 S * 12/1988 Littledeer D12/215
D302,147 S * 7/1989 Hartt D12/215
D320,375 S * 10/1991 Bruce D12/215
D343,608 S * 1/1994 Nazara D12/215
5,322,462 A * 6/1994 Hull et al.
D362,834 S * 10/1995 Stout D12/215
5,902,162 A * 5/1999 Kot et al.
6,027,386 A * 2/2000 Hains et al.
D448,337 S * 9/2001 Dale D12/215

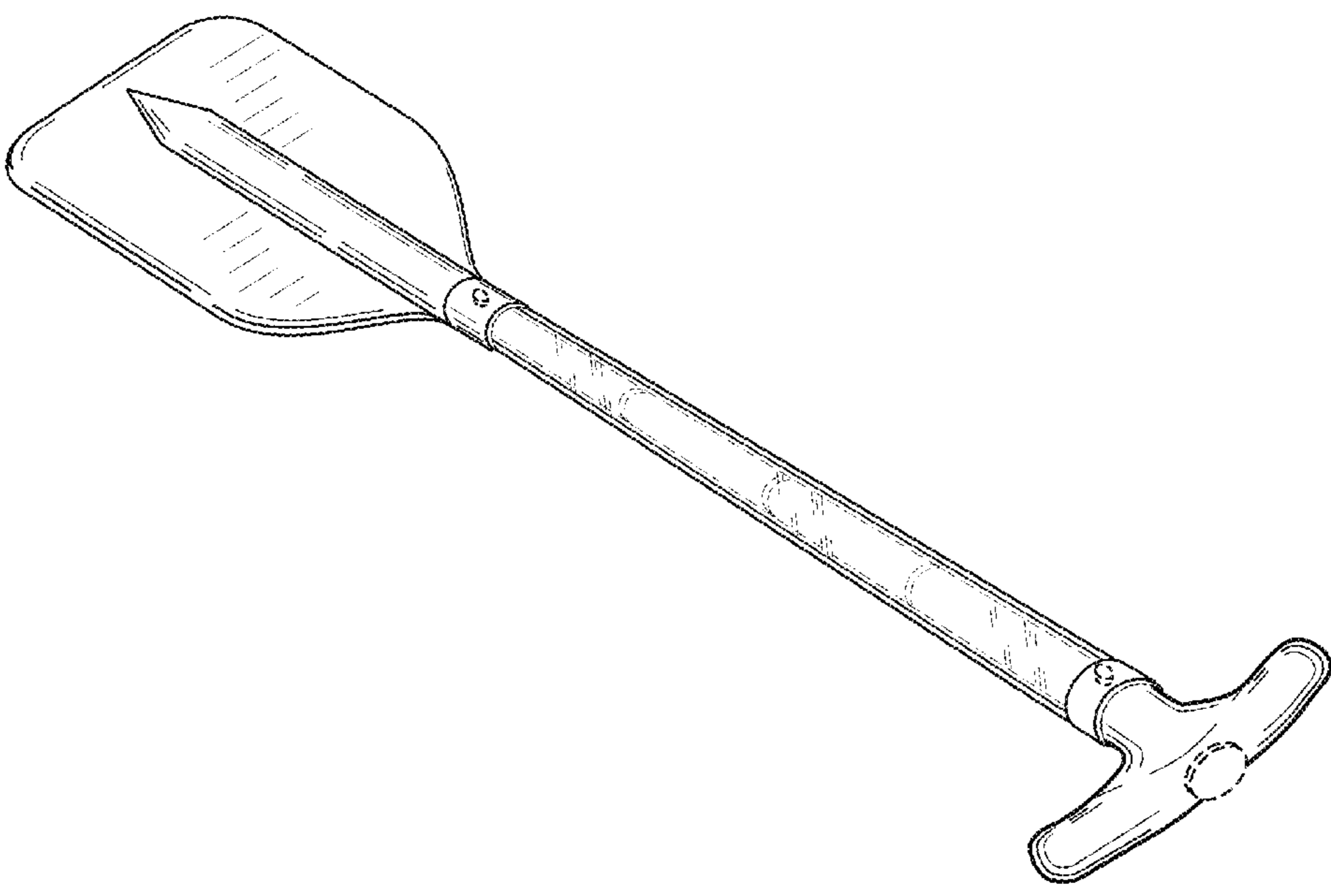
D632,241 S * 2/2011 Okuda D12/215
D632,629 S * 2/2011 Bradley D12/215
8,100,733 B1 * 1/2012 Ross B63H 16/04
440/101
D656,880 S * 4/2012 Strangfeld D12/215
D680,941 S * 4/2013 Deppen D12/215
D739,804 S * 9/2015 Schweiger D12/215
D769,787 S * 10/2016 Schweiger D12/215
D772,135 S * 11/2016 Strangfeld D12/215
9,511,837 B1 * 12/2016 Reeves B63H 16/04
2014/0050584 A1 * 2/2014 Lange B63H 16/04
416/146 R
2016/0069511 A1 * 3/2016 Gurney B63H 16/04
473/517

* cited by examiner
Primary Examiner — George D. Kirschbaum
Assistant Examiner — Clese Moore, Jr.
(74) *Attorney, Agent, or Firm* — Wright Lindsey Jennings LLP; Meredith Lowry

(57) **CLAIM**
The ornamental design for a paddle having an internal reservoir for storage, as shown and described.

DESCRIPTION
FIG. 1 is a perspective view of a paddle having an internal reservoir showing my new design;
FIG. 2 is a front side view, with the back side view being a mirror image thereof;
FIG. 3 is a left side view, with the right side view being a mirror image thereof;
FIG. 4 is a bottom plan view thereof; and,
FIG. 5 is a top plan view thereof.
The broken lines shown illustrate portions of the paddle having an internal reservoir that form no part of the claimed design.

1 Claim, 2 Drawing Sheets



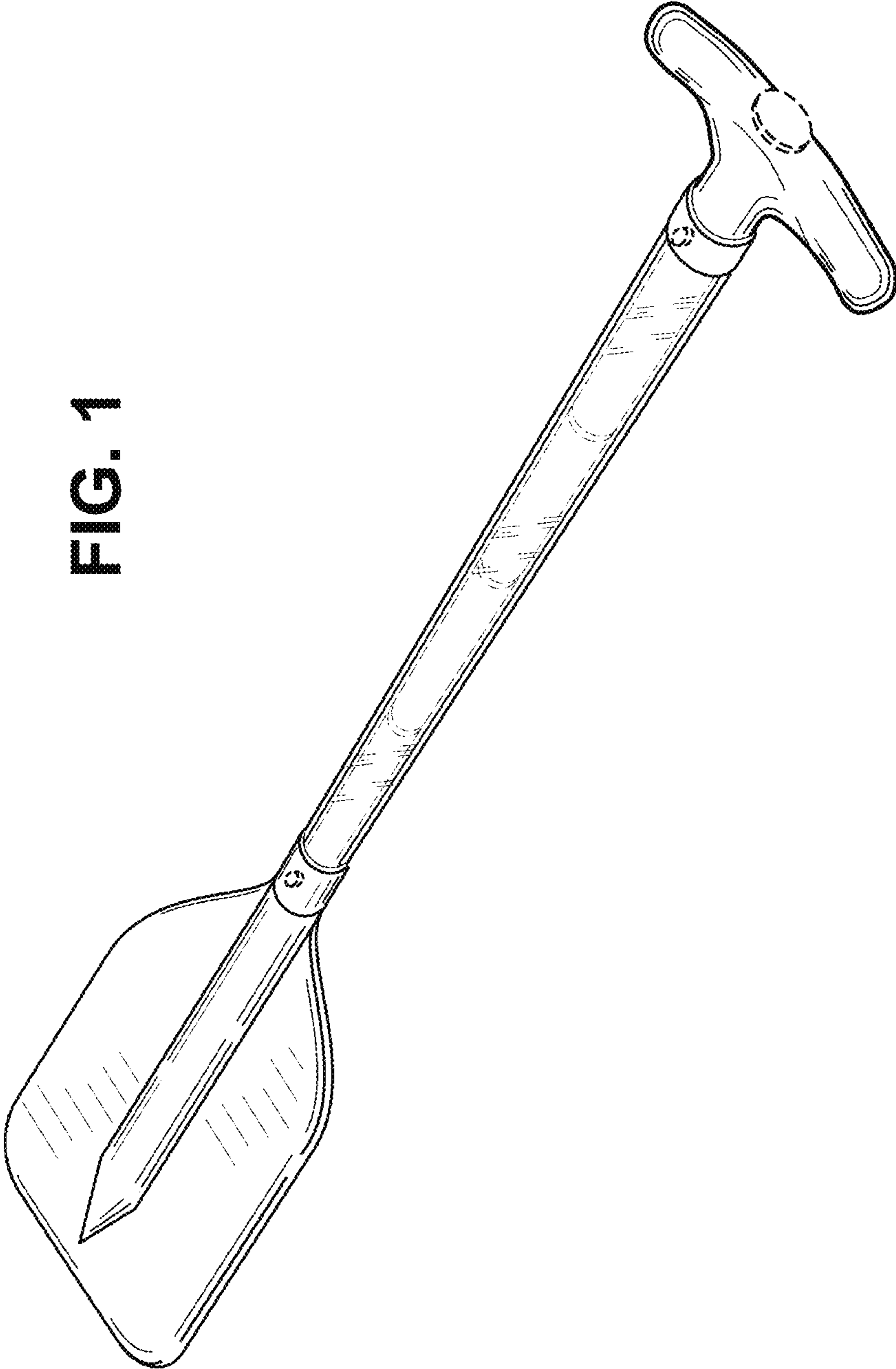


FIG. 1

FIG. 2

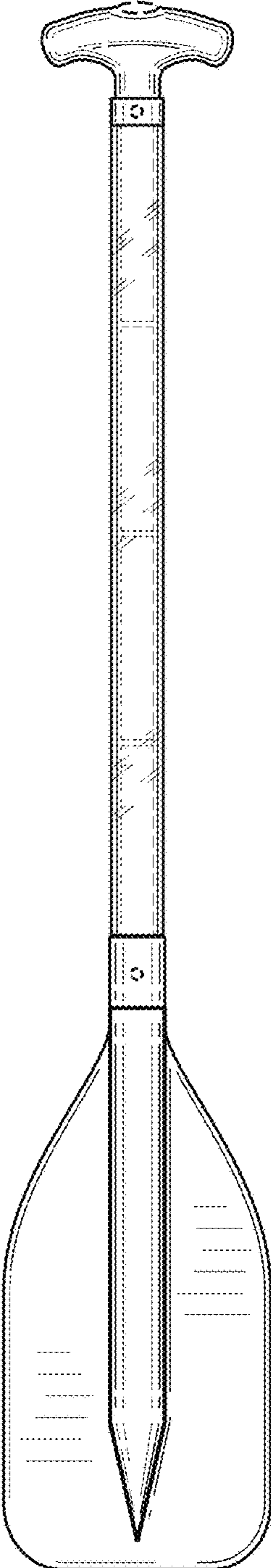


FIG. 3

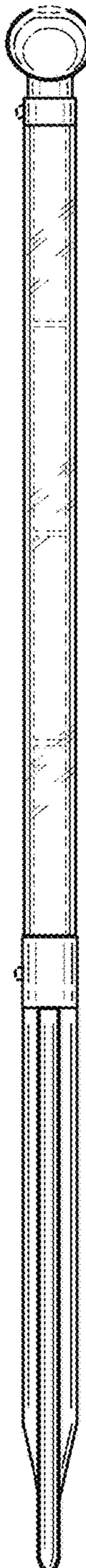


FIG. 4

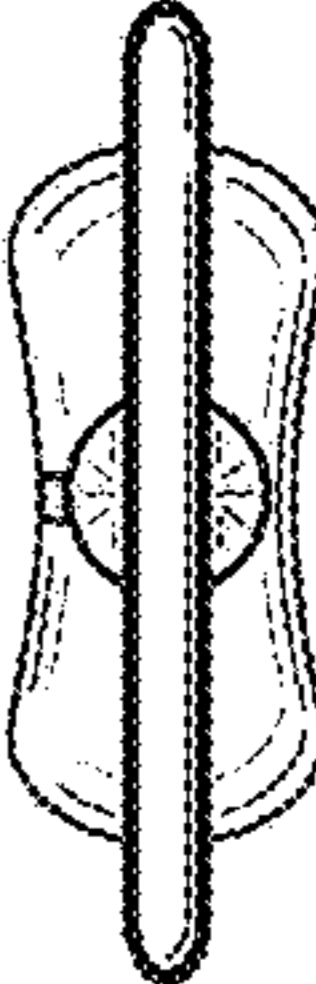


FIG. 5