

US00D804391S

(12) **United States Design Patent**  
**Ishii**

(10) **Patent No.:** **US D804,391 S**

(45) **Date of Patent:** **\*\* Dec. 5, 2017**

(54) **WHEEL FOR AUTOMOBILE**

(71) Applicant: **HONDA MOTOR CO., LTD.**, Tokyo (JP)

(72) Inventor: **Yuki Ishii**, Wako (JP)

(73) Assignee: **HONDA MOTOR CO., LTD.**, Tokyo (JP)

(\*\*) Term: **15 Years**

(21) Appl. No.: **29/580,261**

(22) Filed: **Oct. 6, 2016**

(30) **Foreign Application Priority Data**

Apr. 12, 2016 (JP) ..... 2016-008098

(51) **LOC (10) Cl.** ..... **12-16**

(52) **U.S. Cl.**  
USPC ..... **D12/209**

(58) **Field of Classification Search**  
USPC ..... D12/204–213  
CPC .... B60B 7/00; B60B 7/02; B60B 7/04; B60B 7/01; B60B 7/06; B60B 3/02; B60B 3/04; B60B 3/06; B60B 3/10; B60B 1/00; B60B 1/08; B60B 1/10; B60B 1/12  
See application file for complete search history.

(56) **References Cited**

**U.S. PATENT DOCUMENTS**

D581,852 S \* 12/2008 Scheu ..... D12/211  
D654,842 S \* 2/2012 Blasi ..... D12/209

D663,248 S \* 7/2012 Kogawa ..... D12/209  
D685,710 S \* 7/2013 Hanaoka ..... D12/204  
D689,808 S \* 9/2013 Buck ..... D12/209  
D695,184 S \* 12/2013 Pollmann ..... D12/209  
D695,191 S \* 12/2013 Kogawa ..... D12/209  
D705,714 S \* 5/2014 Hanaoka ..... D12/209  
D706,194 S \* 6/2014 Hanaoka ..... D12/209  
D723,989 S \* 3/2015 Morikawa ..... D12/209  
D744,401 S \* 12/2015 Back ..... D12/209  
D751,021 S \* 3/2016 Vaya ..... D12/211  
D763,158 S \* 8/2016 Hara ..... D12/209  
D768,553 S \* 10/2016 Ishii ..... D12/209  
D781,761 S \* 3/2017 Lee ..... D12/209  
D783,491 S \* 4/2017 Valencia Pollex ..... D12/209  
D783,492 S \* 4/2017 Valencia Pollex ..... D12/209  
D788,674 S \* 6/2017 Mielke ..... D12/209  
D789,863 S \* 6/2017 Yoneyama ..... D12/209  
D790,426 S \* 6/2017 Valencia Pollex ..... D12/209

\* cited by examiner

*Primary Examiner* — Stacia Cadmus

(74) *Attorney, Agent, or Firm* — Westerman, Hattori, Daniels & Adrian, LLP

(57) **CLAIM**

The ornamental design for a wheel for automobile, as shown and described.

**DESCRIPTION**

FIG. 1 is a perspective view from a front side of a wheel for automobile; and,

FIG. 2 is a front elevation view thereof.

The broken lines in the drawings illustrate portions of the wheel for automobile that forms no part of the claimed design.

**1 Claim, 2 Drawing Sheets**

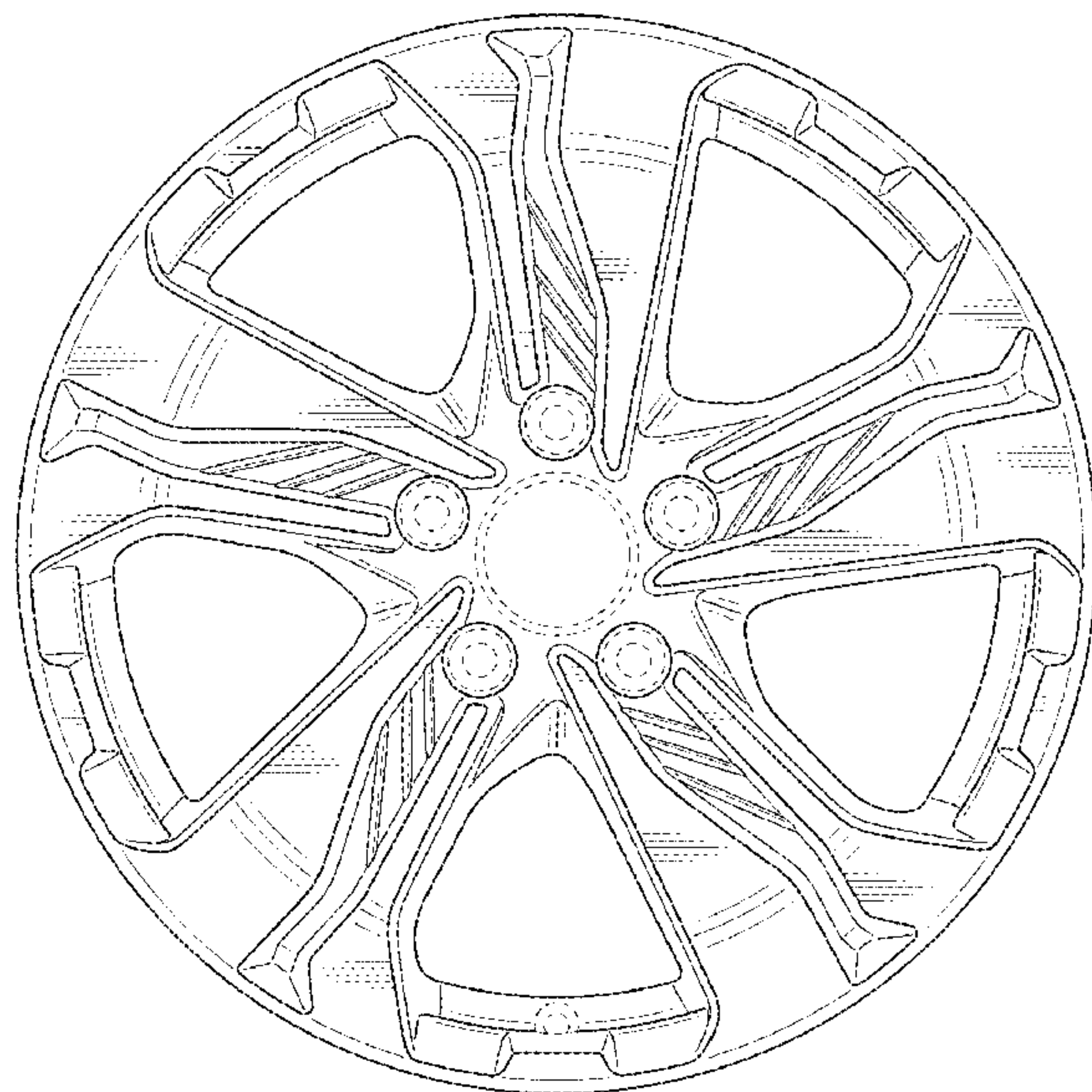
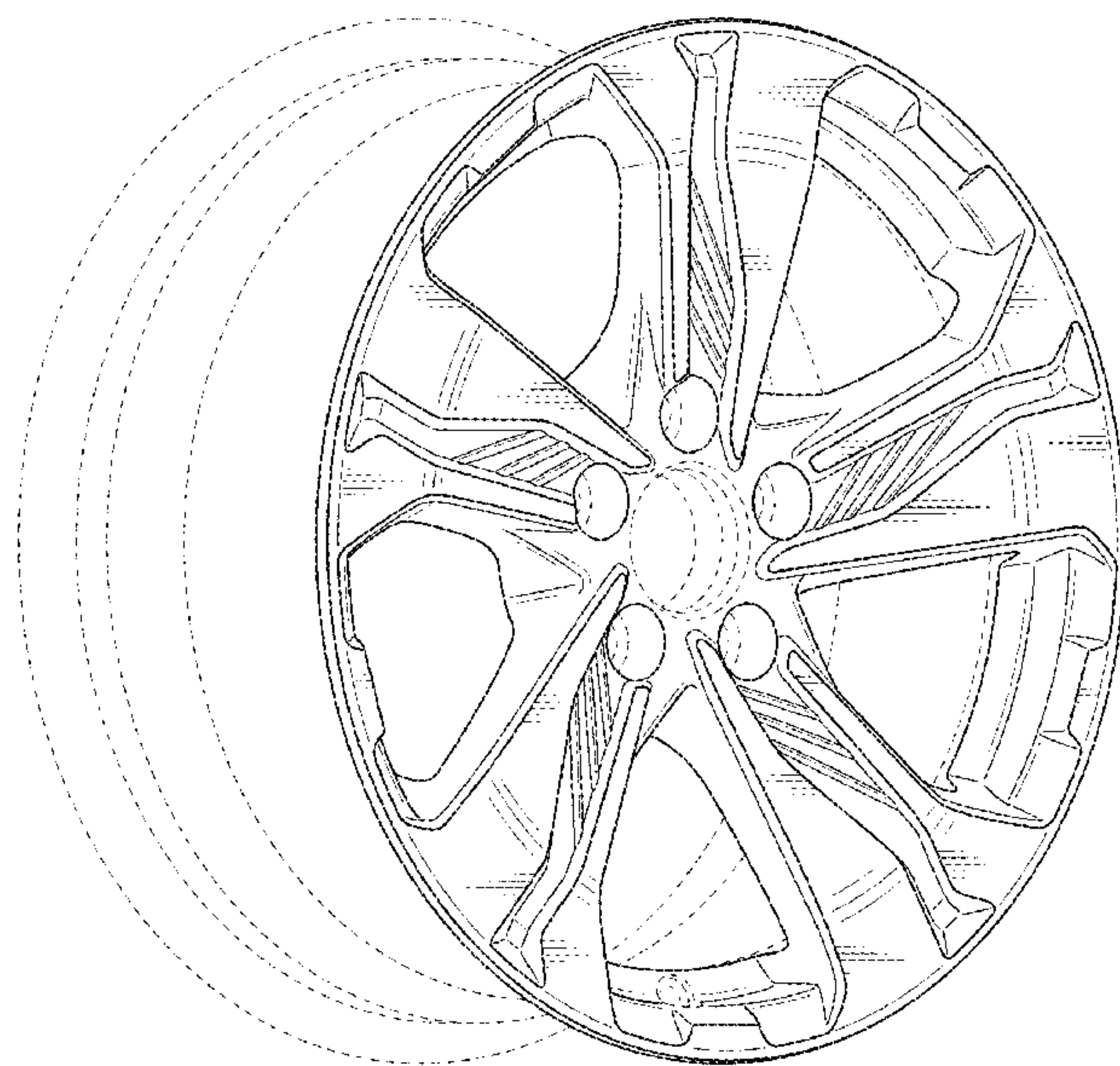


FIG. 1

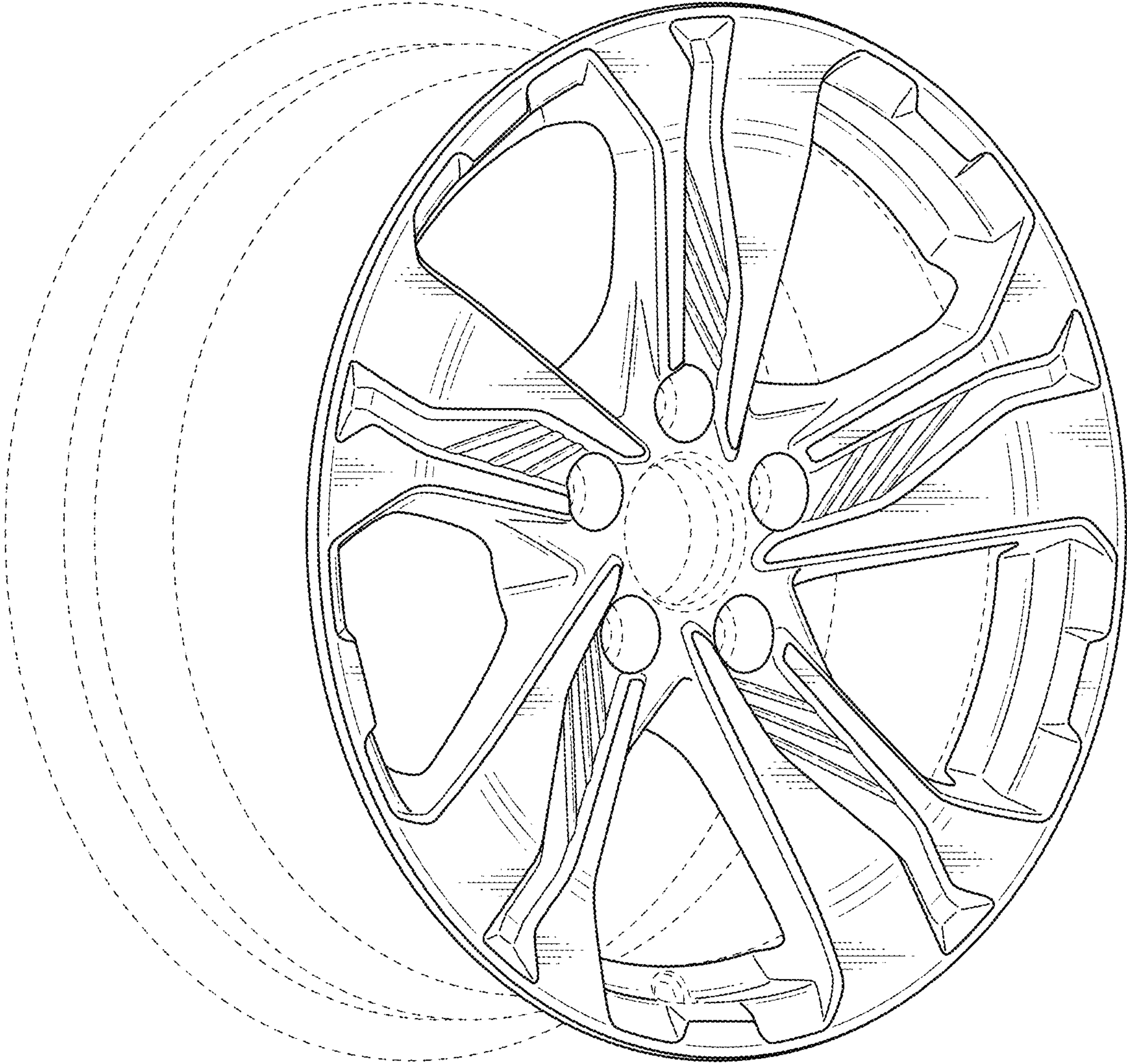




FIG. 2

