



US00D804388S

(12) **United States Design Patent**
Snyder et al.

(10) **Patent No.:** **US D804,388 S**
(45) **Date of Patent:** **** Dec. 5, 2017**

- (54) **WHEEL**
- (71) Applicant: **HONDA MOTOR CO., LTD.**,
Minato-ku, Tokyo (JP)
- (72) Inventors: **Paul Snyder**, Torrance, CA (US);
Roger Brown, Corona, CA (US)
- (73) Assignee: **HONDA MOTOR CO., LTD.**, Tokyo
(JP)
- (**) Term: **15 Years**
- (21) Appl. No.: **29/558,862**
- (22) Filed: **Mar. 22, 2016**
- (51) **LOC (10) Cl.** **12-16**
- (52) **U.S. Cl.**
USPC **D12/209**
- (58) **Field of Classification Search**
USPC D12/204–213
CPC B60B 7/00; B60B 7/02; B60B 7/04; B60B
7/01; B60B 7/06; B60B 3/02; B60B 3/04;
B60B 3/06; B60B 3/10; B60B 1/00;
B60B 1/08; B60B 1/10; B60B 1/12
See application file for complete search history.

(56) **References Cited**

U.S. PATENT DOCUMENTS

D390,822 S	*	2/1998	Neeper	D12/209
D594,800 S	*	6/2009	Blasi	D12/209
D655,657 S	*	3/2012	Juergens	D12/209
D669,833 S	*	10/2012	Pollmann	D12/209
D671,475 S	*	11/2012	Juergens	D12/209
D671,479 S	*	11/2012	Gonser	D12/209
D682,761 S	*	5/2013	Pollmann	D12/209
D683,681 S	*	6/2013	Juergens	D12/209
D685,709 S	*	7/2013	Hanaoka	D12/209
D695,186 S	*	12/2013	Pollmann	D12/209
D695,187 S	*	12/2013	Mielke	D12/209

D695,668 S	*	12/2013	Juergens	D12/209
D709,427 S	*	7/2014	Clottu	D12/209
D713,315 S	*	9/2014	Juergens	D12/209
D726,086 S	*	4/2015	Muntada Roura	D12/209
D729,138 S	*	5/2015	Davidson	D12/209
D748,553 S	*	2/2016	Miyazawa	D12/209
D753,045 S	*	4/2016	Kawaguchi	D12/209
D754,047 S	*	4/2016	Frascella	D12/209
D755,692 S	*	5/2016	Nakahara	D12/209
D756,878 S	*	5/2016	Valencia Pollex	D12/209
D762,543 S	*	8/2016	Hara	D12/209
D763,157 S	*	8/2016	Kong	D12/209
D764,999 S	*	8/2016	Song	D12/209
D765,000 S	*	8/2016	Song	D12/209
D774,434 S	*	12/2016	Nakahara	D12/209
D788,003 S	*	5/2017	Conforzi	D12/209

(Continued)

Primary Examiner — Stacia Cadmus

(74) *Attorney, Agent, or Firm* — Arent Fox LLP

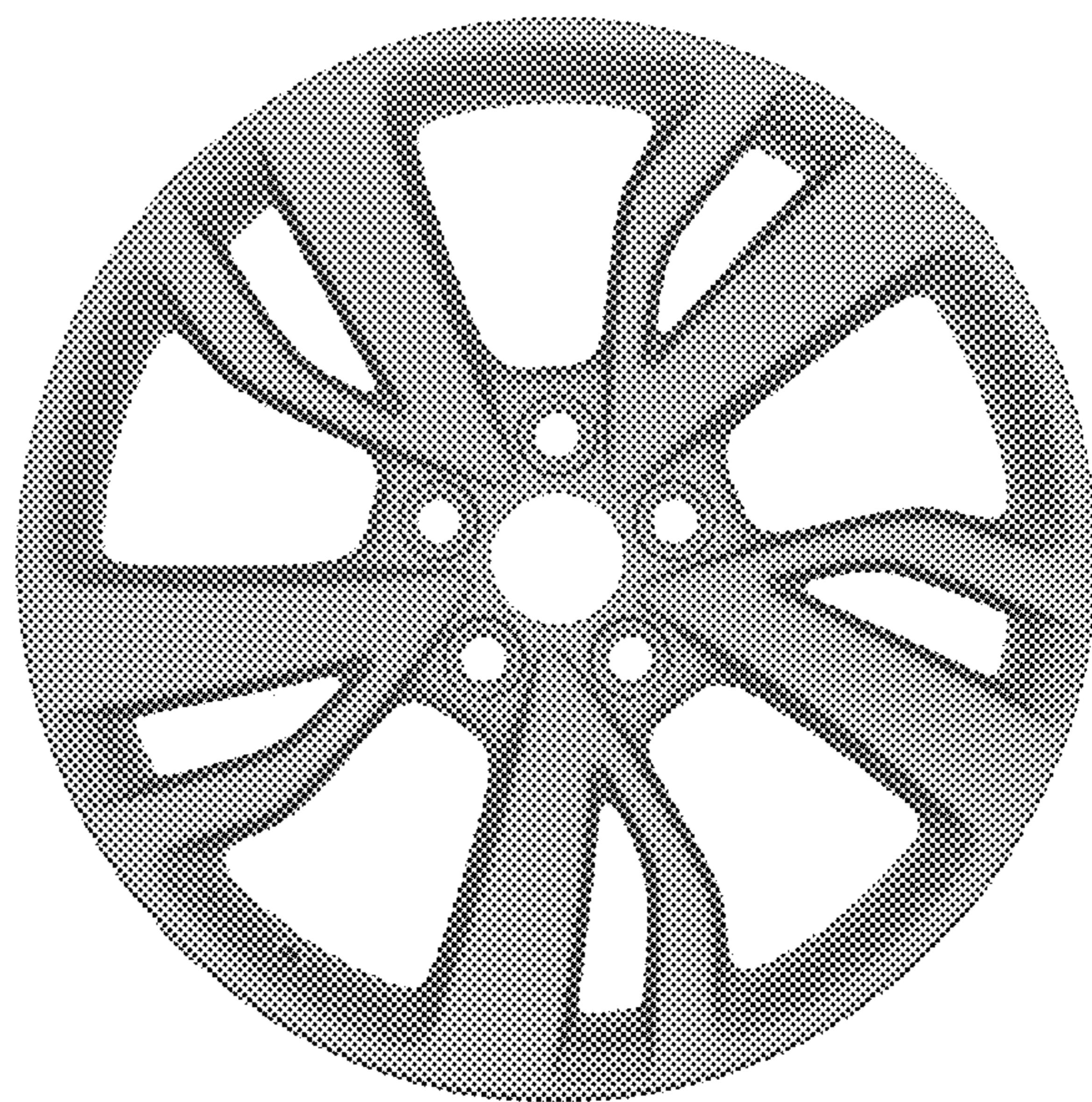
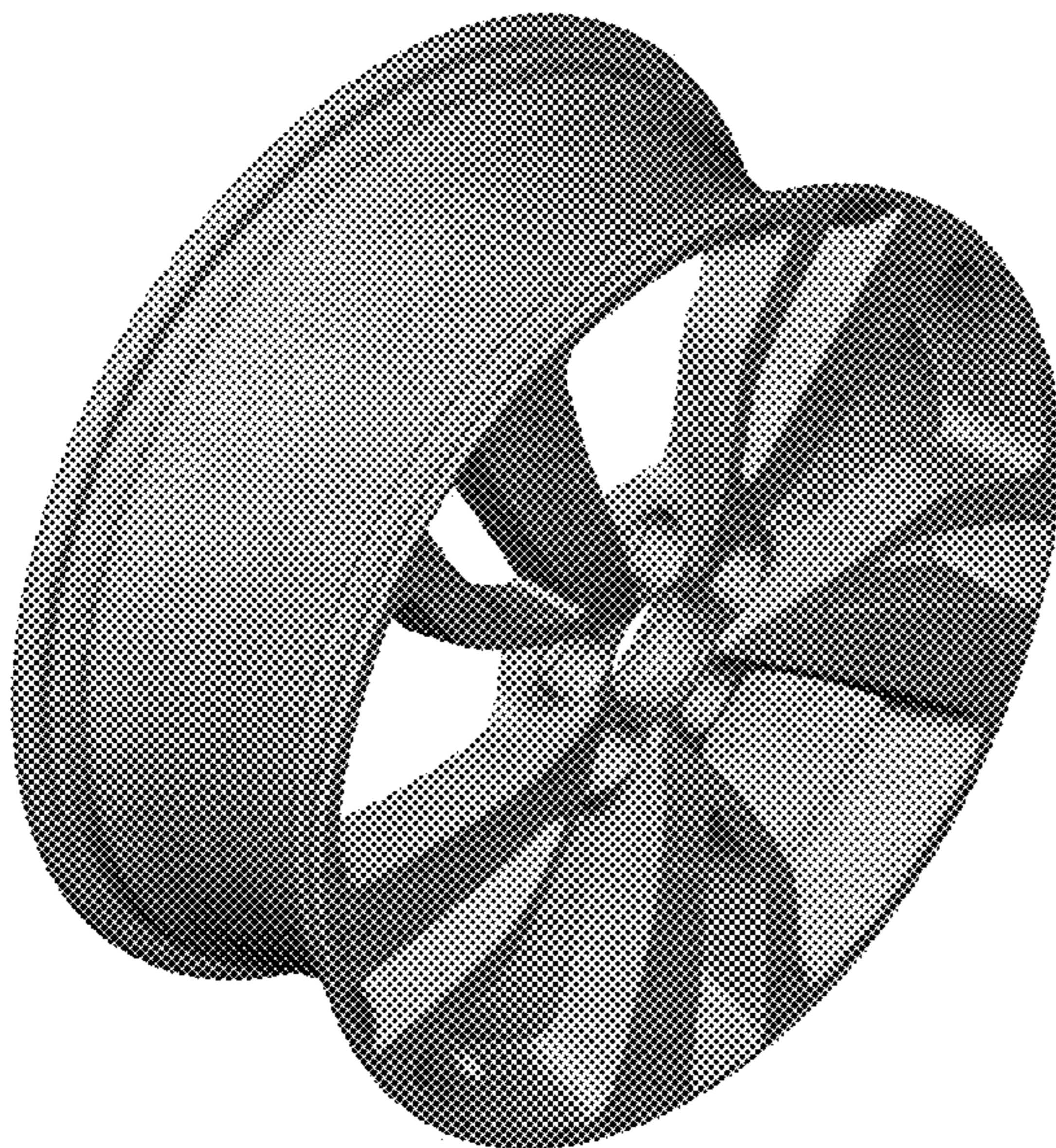
(57) **CLAIM**

The ornamental design for a wheel, as shown and described.

DESCRIPTION

FIG. 1 is a front left perspective view of a wheel showing our new design;
 FIG. 2 is a back right perspective view of the design shown in FIG. 1;
 FIG. 3 is a back left perspective view of the design shown in FIG. 1;
 FIG. 4 is a front right perspective view shown in FIG. 1;
 FIG. 5 is a left side view of the design shown in FIG. 1;
 FIG. 6 is a right side view of the design shown in FIG. 1;
 FIG. 7 is a back view of the design shown in FIG. 1;
 FIG. 8 is a front view of the design shown in FIG. 1;
 FIG. 9 is a top side view of the design shown in FIG. 1; and,
 FIG. 10 is a bottom side view of the design shown in FIG. 1.

1 Claim, 10 Drawing Sheets



(56)

References Cited

U.S. PATENT DOCUMENTS

D789,860 S * 6/2017 Lee D12/209
D792,306 S * 7/2017 Ishigaki D12/209

* cited by examiner

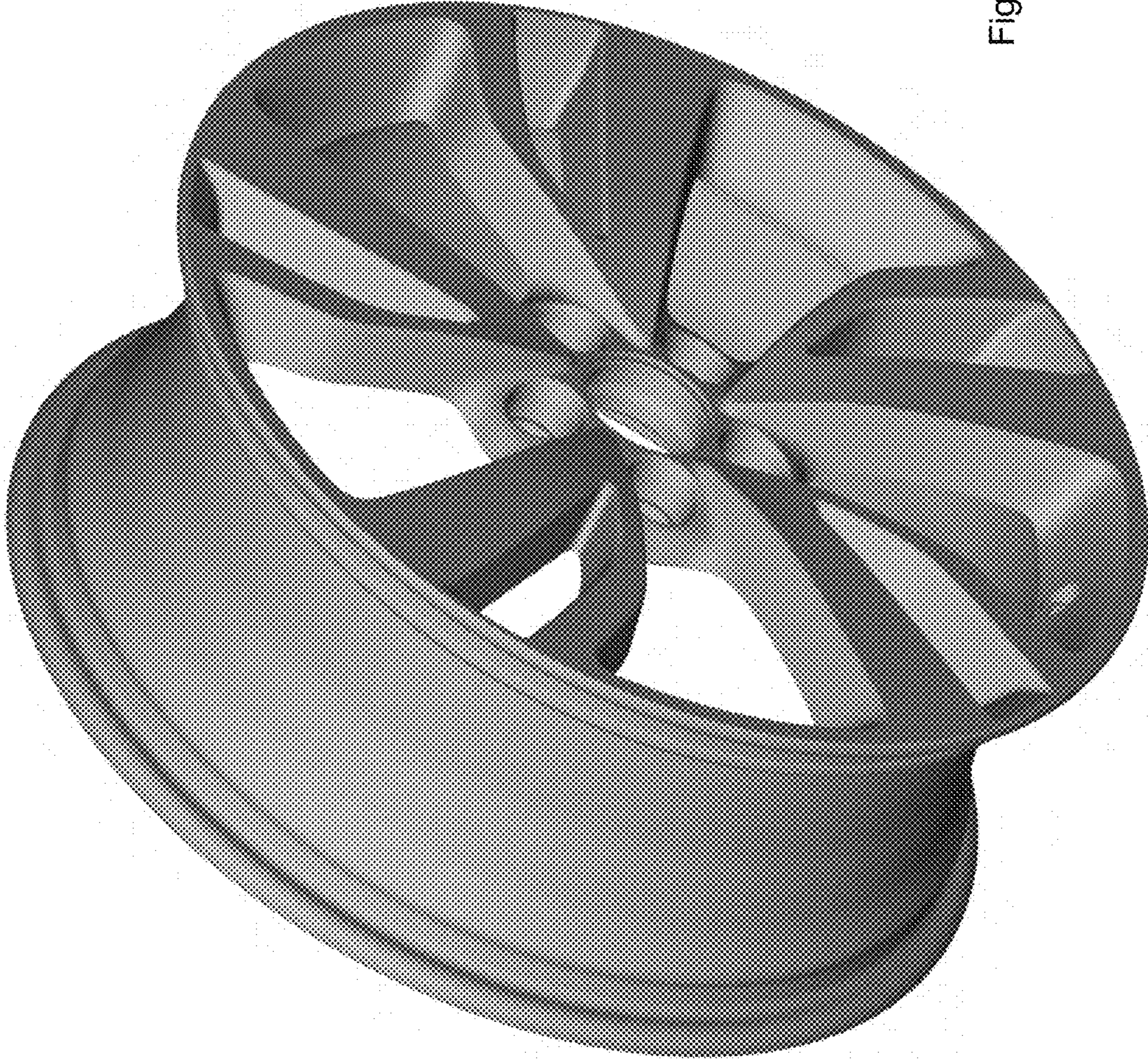


Figure 1

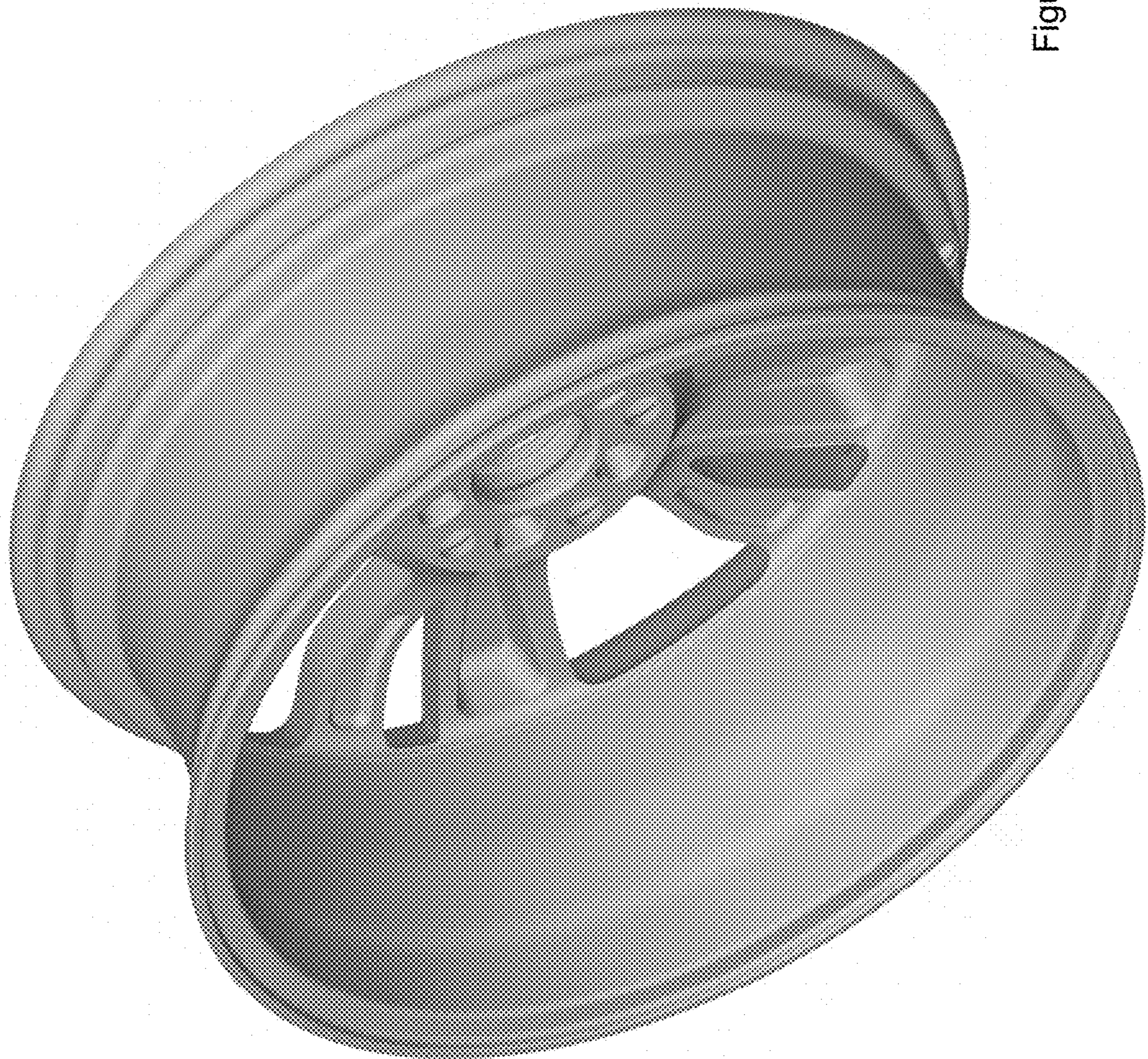


Figure 2

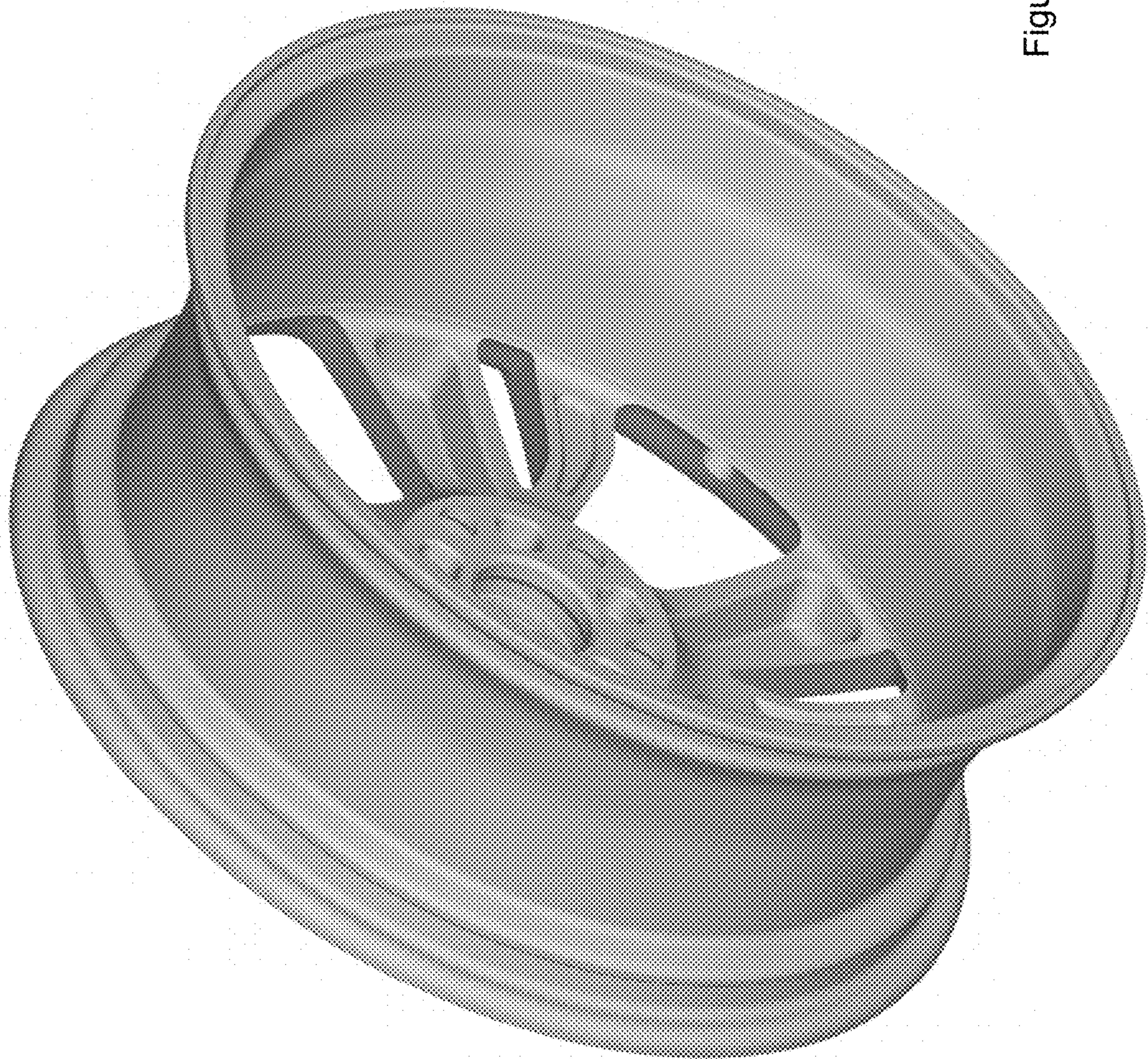


Figure 3

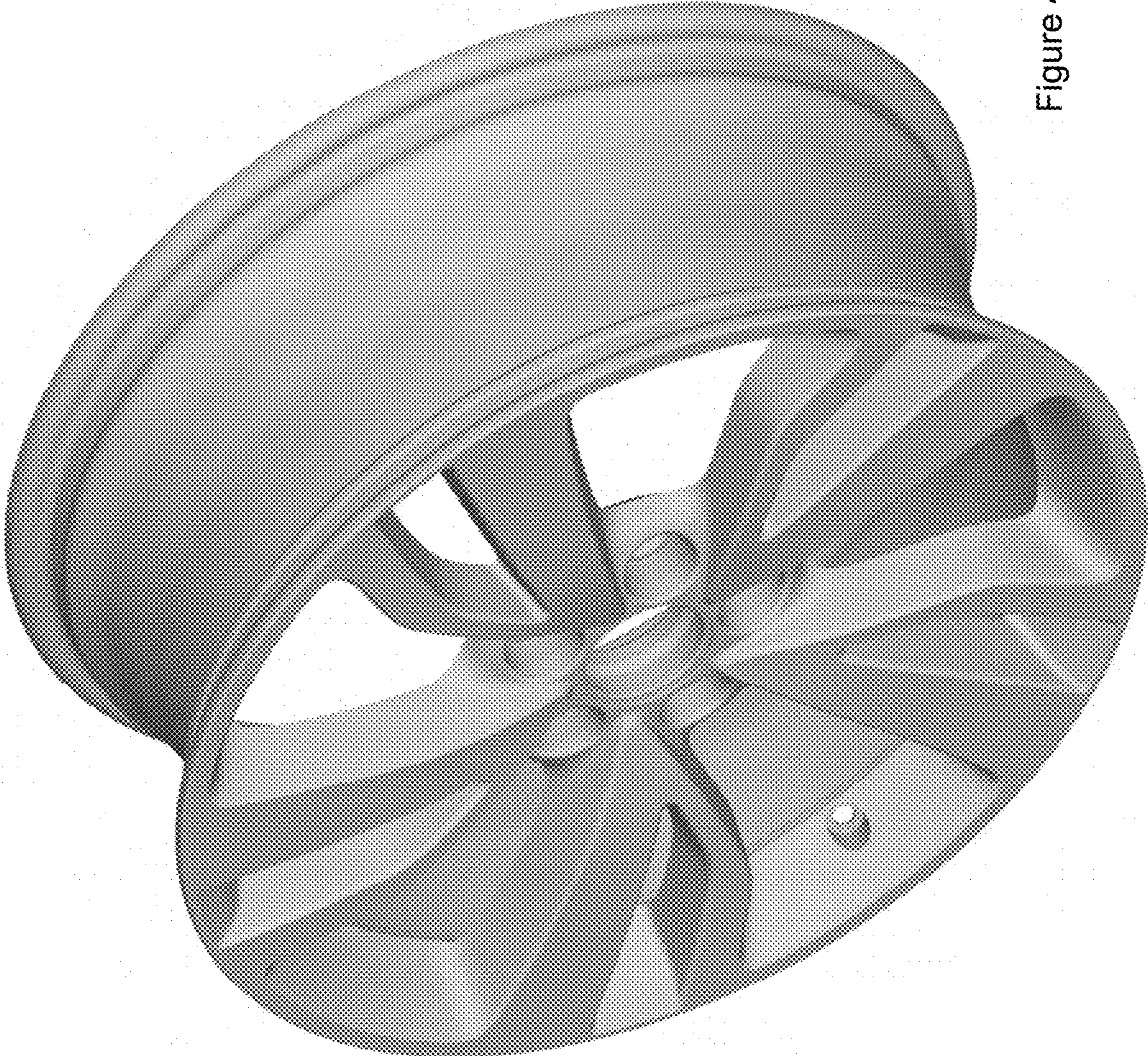


Figure 4

Figure 5

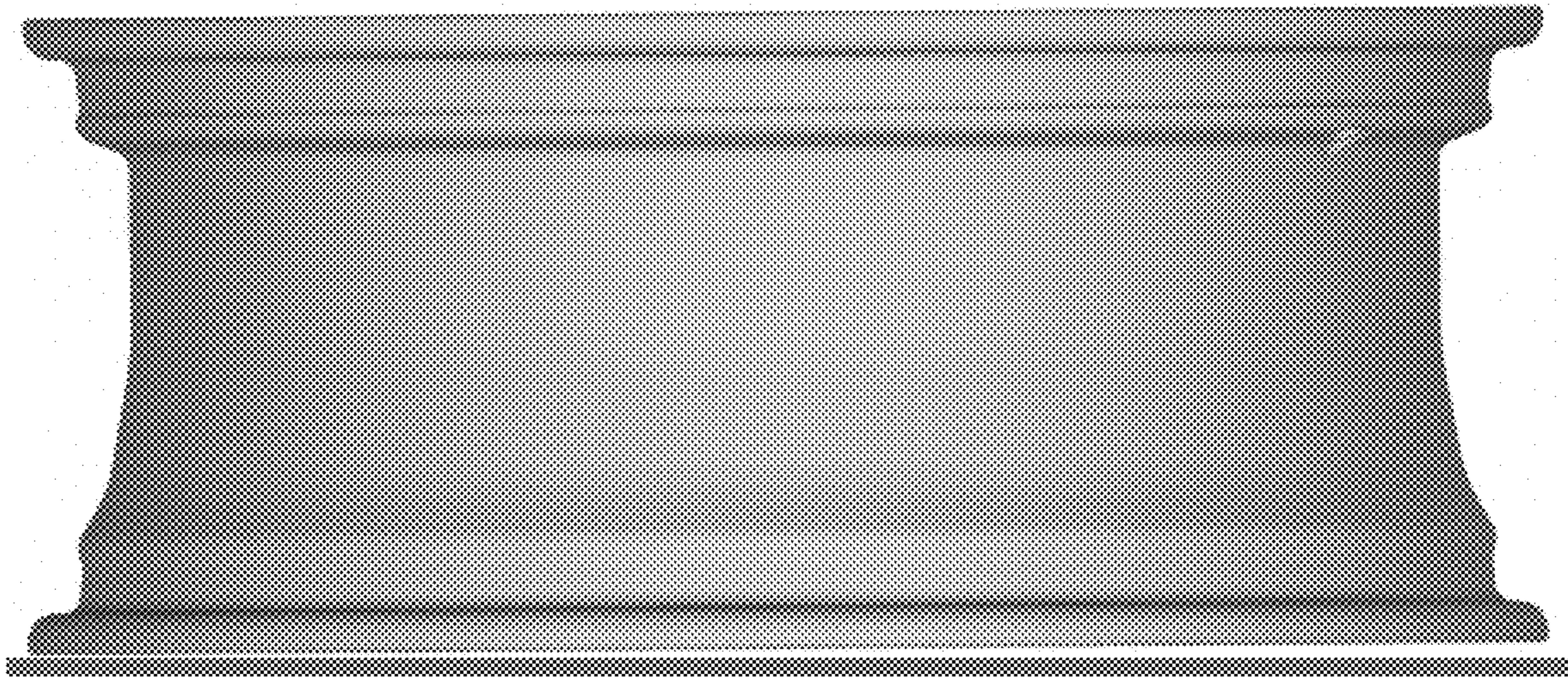


Figure 6

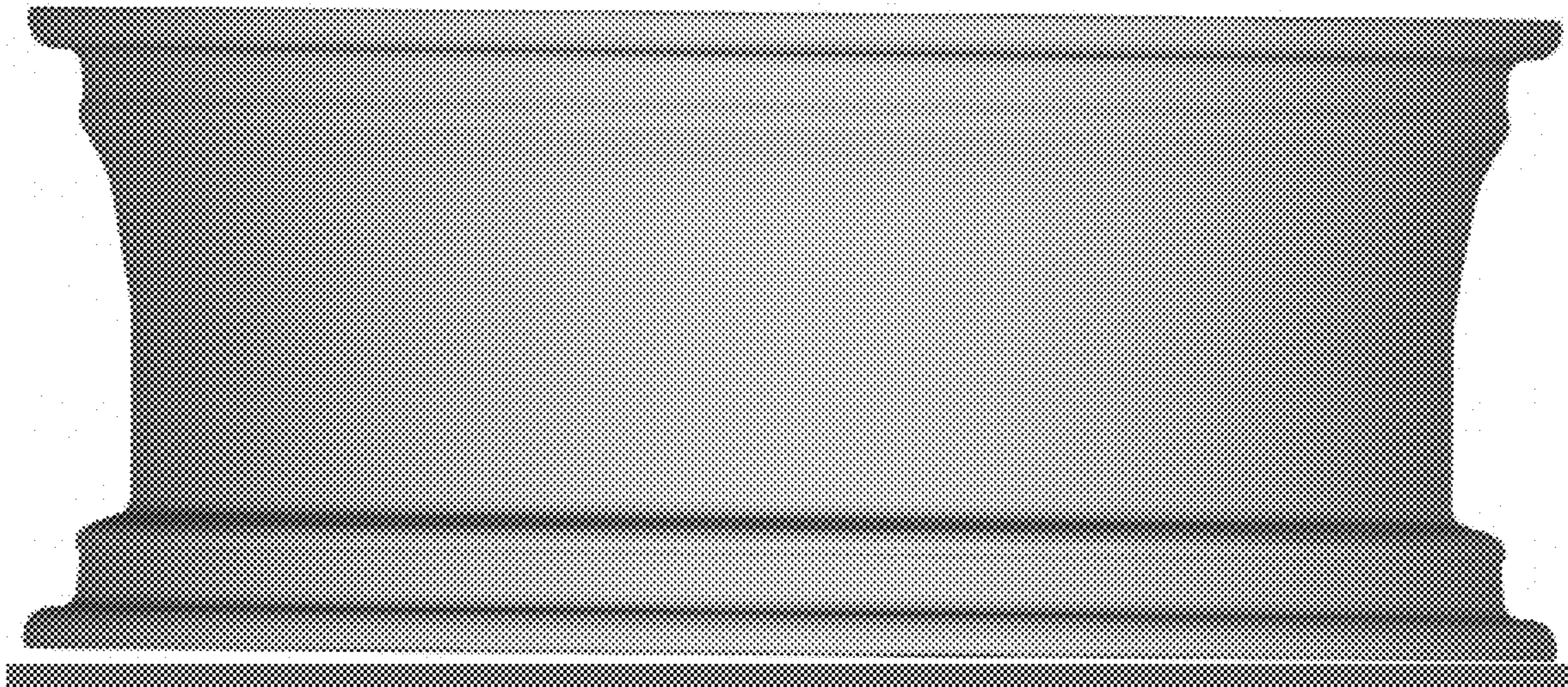




Figure 7



Figure 8

Figure 9

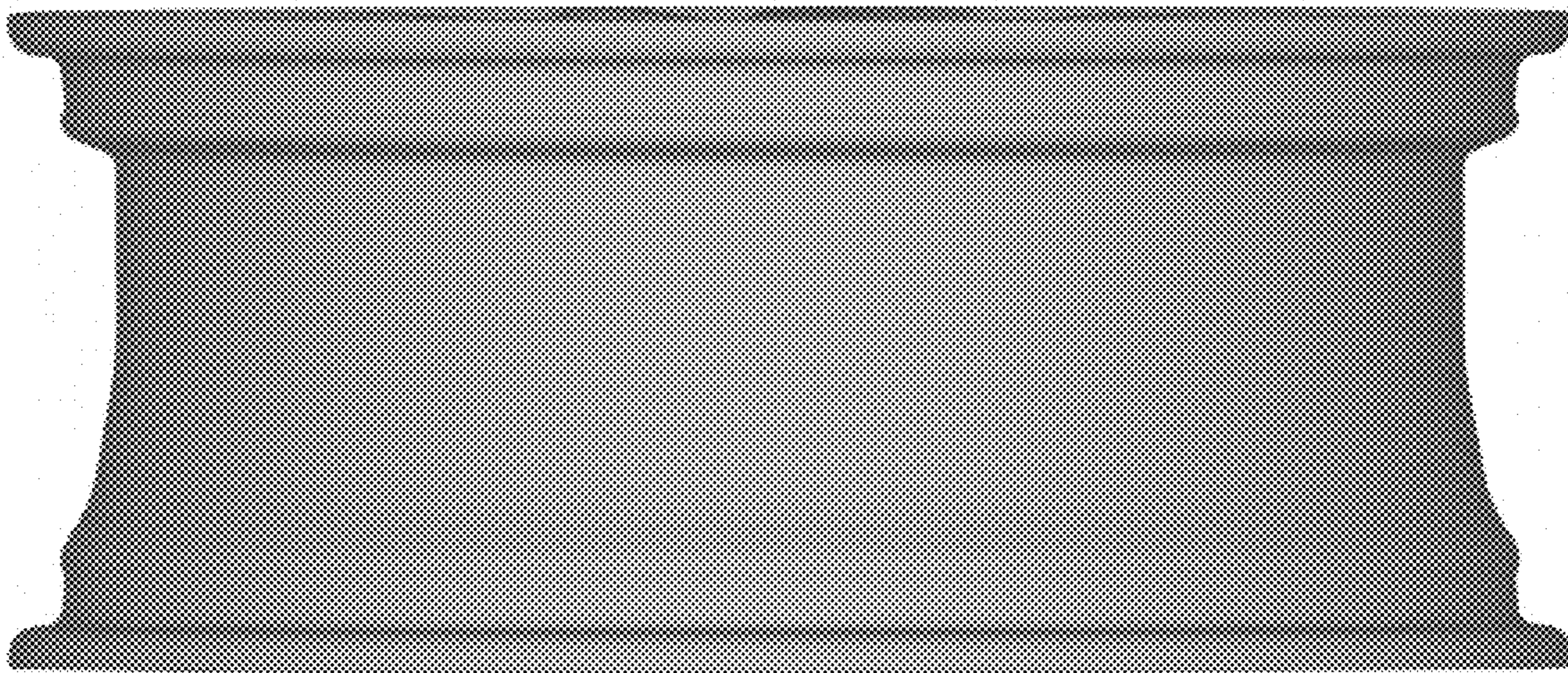


Figure 10

