



US00D804385S

(12) **United States Design Patent** (10) **Patent No.:** **US D804,385 S**
MacNeil et al. (45) **Date of Patent:** **** Dec. 5, 2017**

- (54) **SET OF VEHICLE FLOOR MATS**
- (71) Applicant: **MacNeil IP LLC**, Bolingbrook, IL (US)
- (72) Inventors: **David F. MacNeil**, Hinsdale, IL (US); **Allan R. Thom**, Clarendon Hills, IL (US); **Frederick W. Masanek, Jr.**, Barrington, IL (US)
- (73) Assignee: **MACNEIL IP LLC**, Bolingbrook, IL (US)
- (**) Term: **15 Years**
- (21) Appl. No.: **29/579,748**
- (22) Filed: **Oct. 3, 2016**
- (51) **LOC (10) Cl.** **12-16**
- (52) **U.S. Cl.**
USPC **D12/203**
- (58) **Field of Classification Search**
USPC D12/203, 221; D6/582-586, 592-594
CPC B60R 13/01; B60N 3/044; B60N 3/04
See application file for complete search history.

8,899,655 B1 12/2014 MacNeil et al.
 D733,392 S 7/2015 Link et al.
 D766,798 S * 9/2016 Lu D12/203

* cited by examiner

Primary Examiner — George D. Kirschbaum
Assistant Examiner — Clese Moore, Jr.
 (74) *Attorney, Agent, or Firm* — Perkins IP Law Group LLC; Jefferson Perkins

(57) **CLAIM**

The ornamental design for a set of vehicle floor mats, as shown and described.

DESCRIPTION

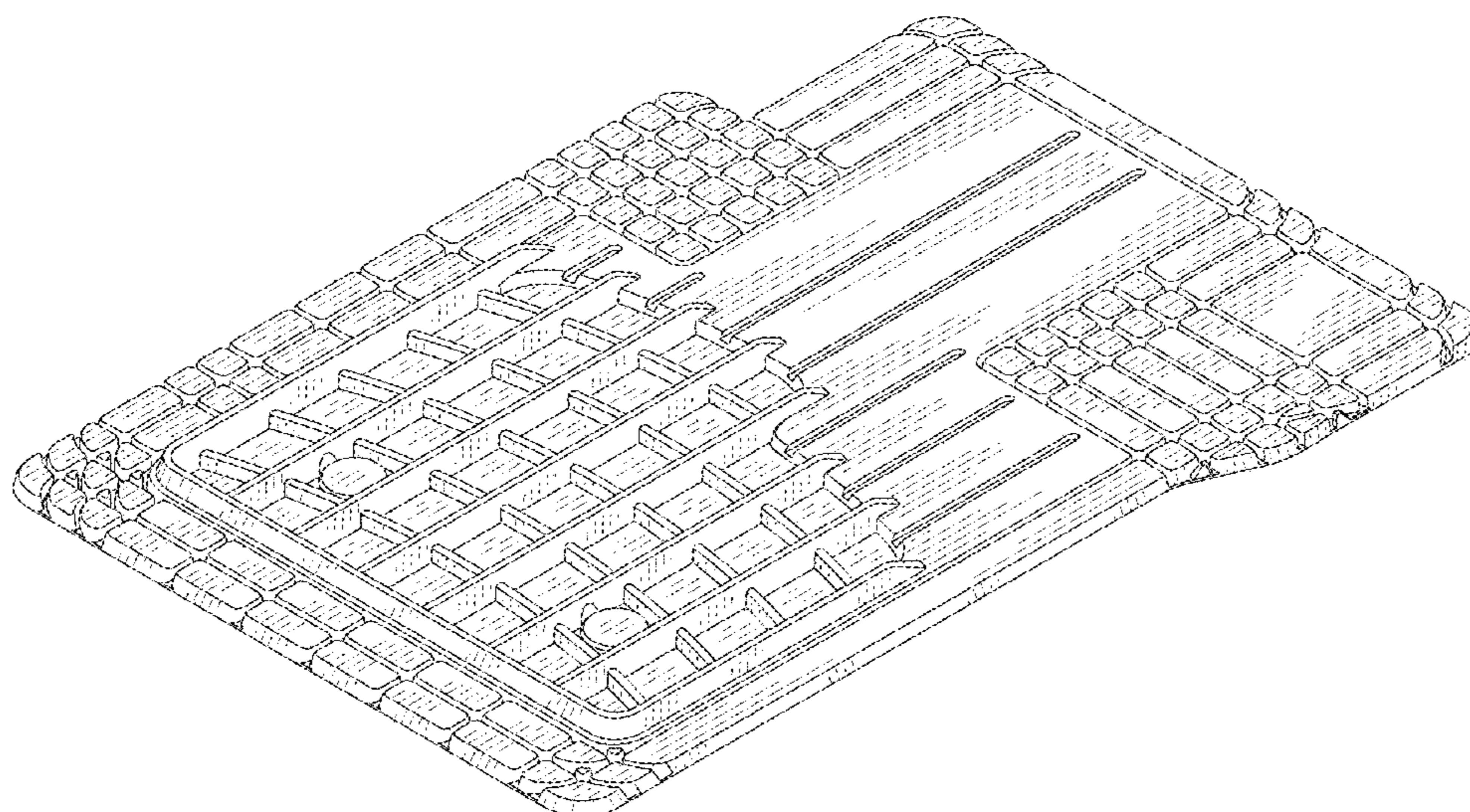
FIG. 1 is a top rear right perspective view of a driver's side mat according to our design;
 FIG. 2 is a plan view of the driver's side mat;
 FIG. 3 is a rear view of the driver's side mat;
 FIG. 4 is a right side view of the driver's side mat;
 FIG. 5 is a left side view of the driver's side mat;
 FIG. 6 is a front view of the driver's side mat;
 FIG. 7 is a top rear right perspective view of a passenger's side mat according to our design;
 FIG. 8 is a plan view of the passenger side mat;
 FIG. 9 is rear view of the passenger side mat;
 FIG. 10 is a right side view of the passenger side mat;
 FIG. 11 is a left side view of the passenger side mat;
 FIG. 12 is a front view of the passenger side mat;
 FIG. 13 top rear right perspective view of a second row mat incorporating our design;
 FIG. 14 is a plan view of the second row mat;
 FIG. 15 rear view of the second row mat;
 FIG. 16 is a left side view of the second row mat;
 FIG. 17 is a right side view of the second row mat; and,
 FIG. 18 is a front view of the second row mat.
 The bottom surfaces of the mats incorporating our design are unadorned and forms no portion of the claimed design.

(56) **References Cited**

U.S. PATENT DOCUMENTS

D418,800 S *	1/2000	Atkin	D12/221
D425,851 S *	5/2000	Tucker	D12/221
D450,025 S *	11/2001	Lu	D12/203
D472,511 S *	4/2003	Lu	D12/203
D512,358 S *	12/2005	Hussaini	D12/203
D530,250 S *	10/2006	Thom	D12/203
D555,563 S *	11/2007	Iacovelli	D12/203
D608,709 S *	1/2010	Masanek, Jr.	D12/203
D647,446 S *	10/2011	Jeackjuntra	D12/203
D650,730 S *	12/2011	Jeackjuntra	D12/203
8,080,302 B2	12/2011	Gifford et al.		
D680,932 S *	4/2013	Lu	D12/203
D692,361 S *	10/2013	Lu	D12/203

1 Claim, 9 Drawing Sheets



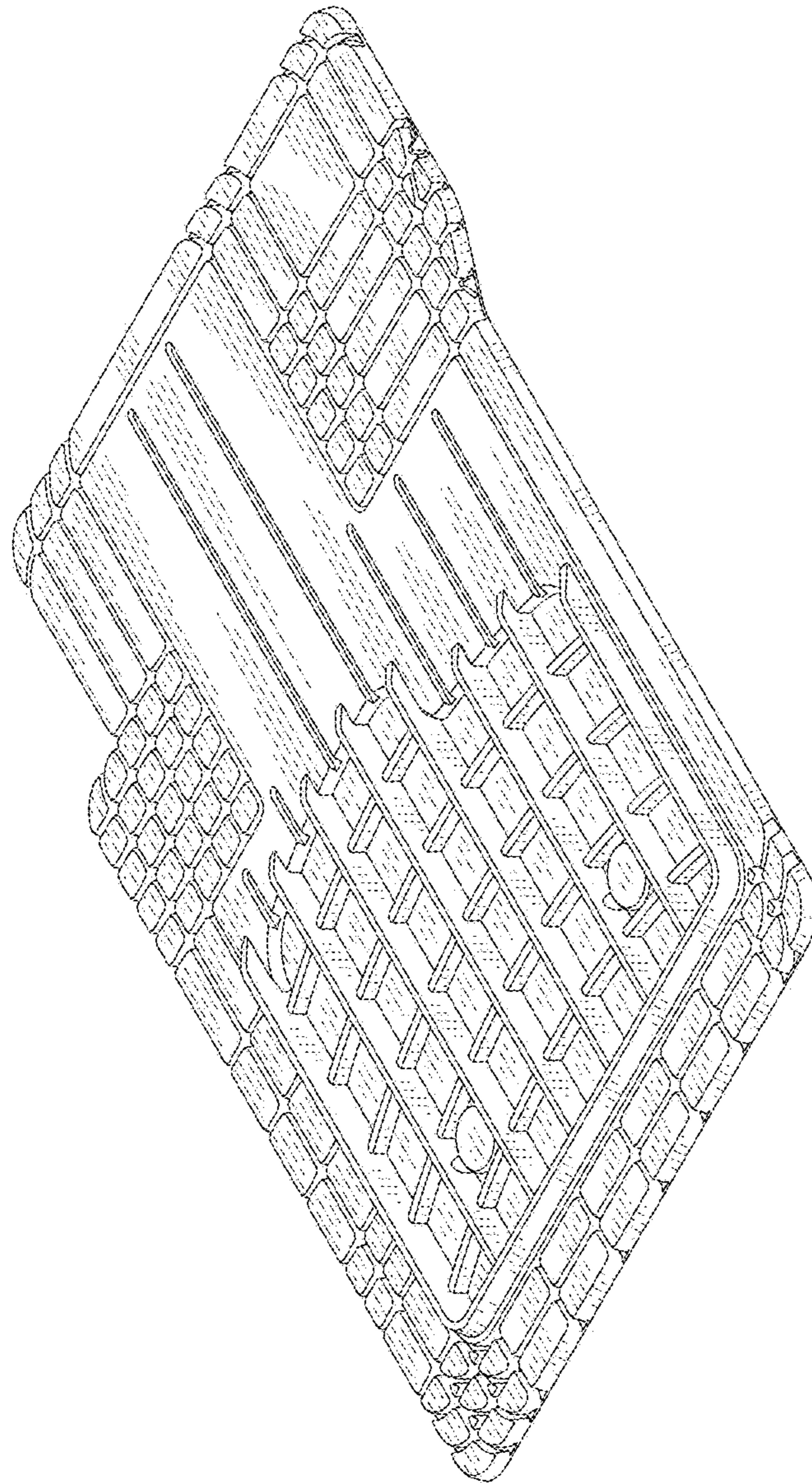


FIG. 1

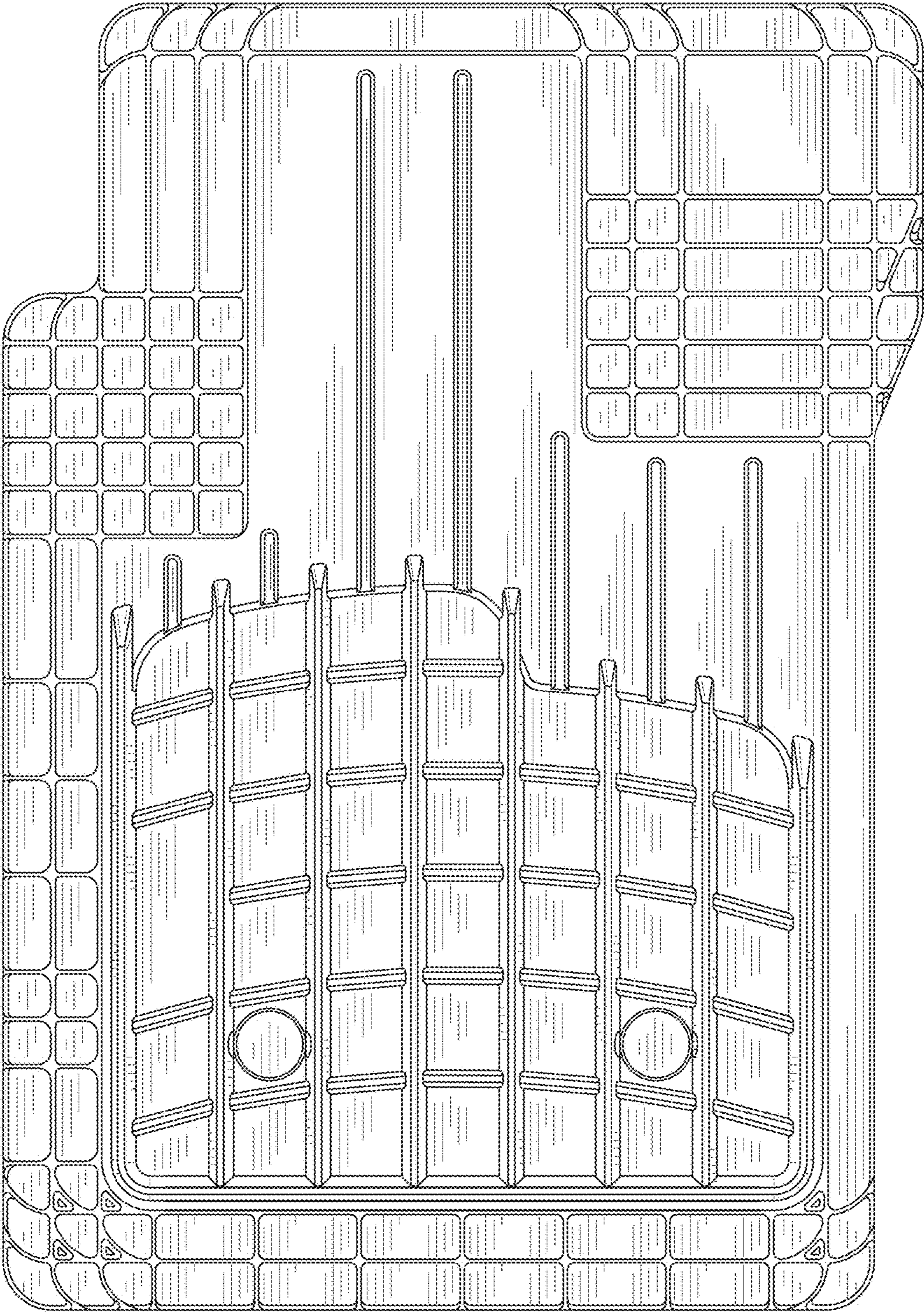


FIG. 2



FIG. 3



FIG. 4



FIG. 5



FIG. 6

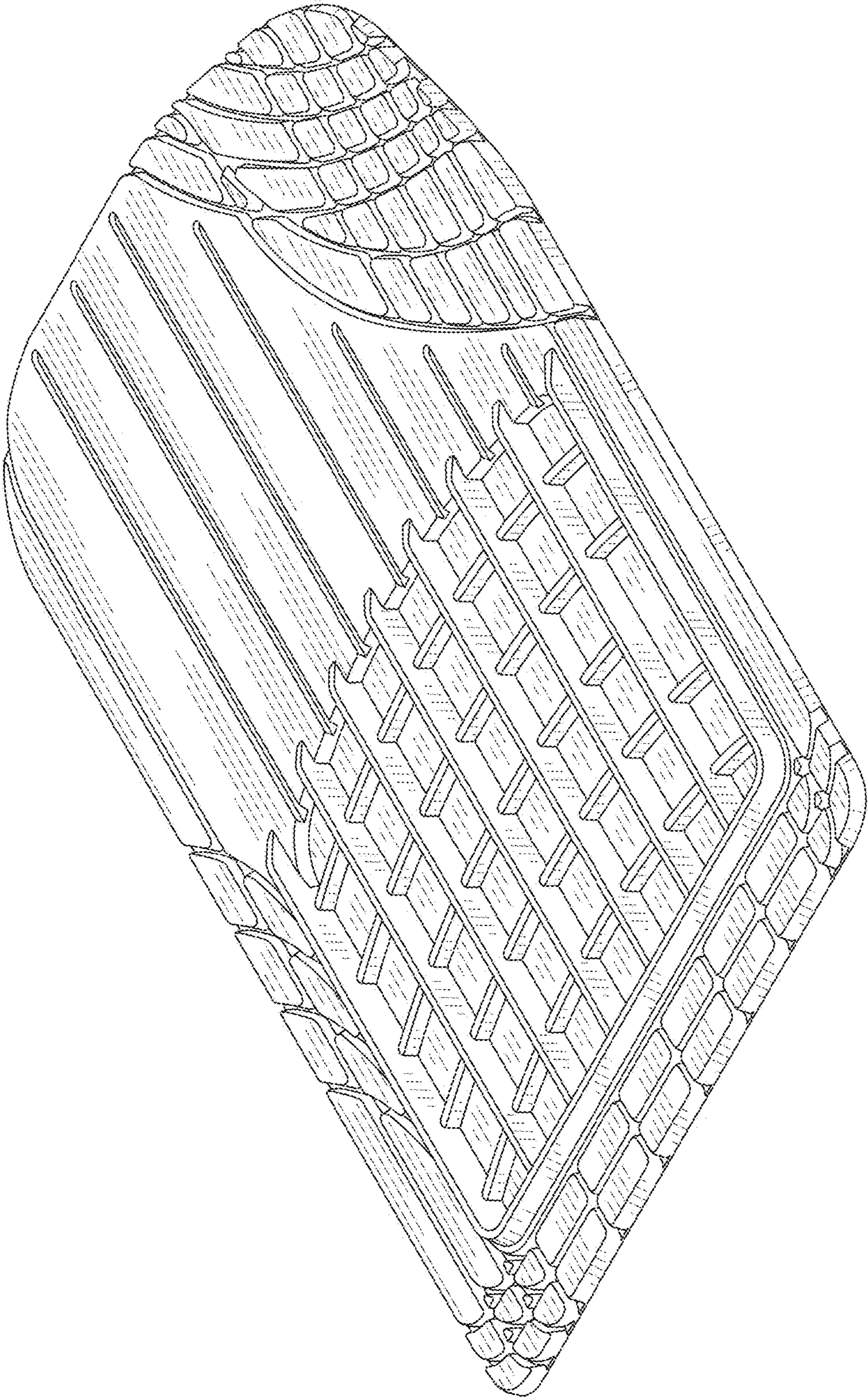


FIG. 7

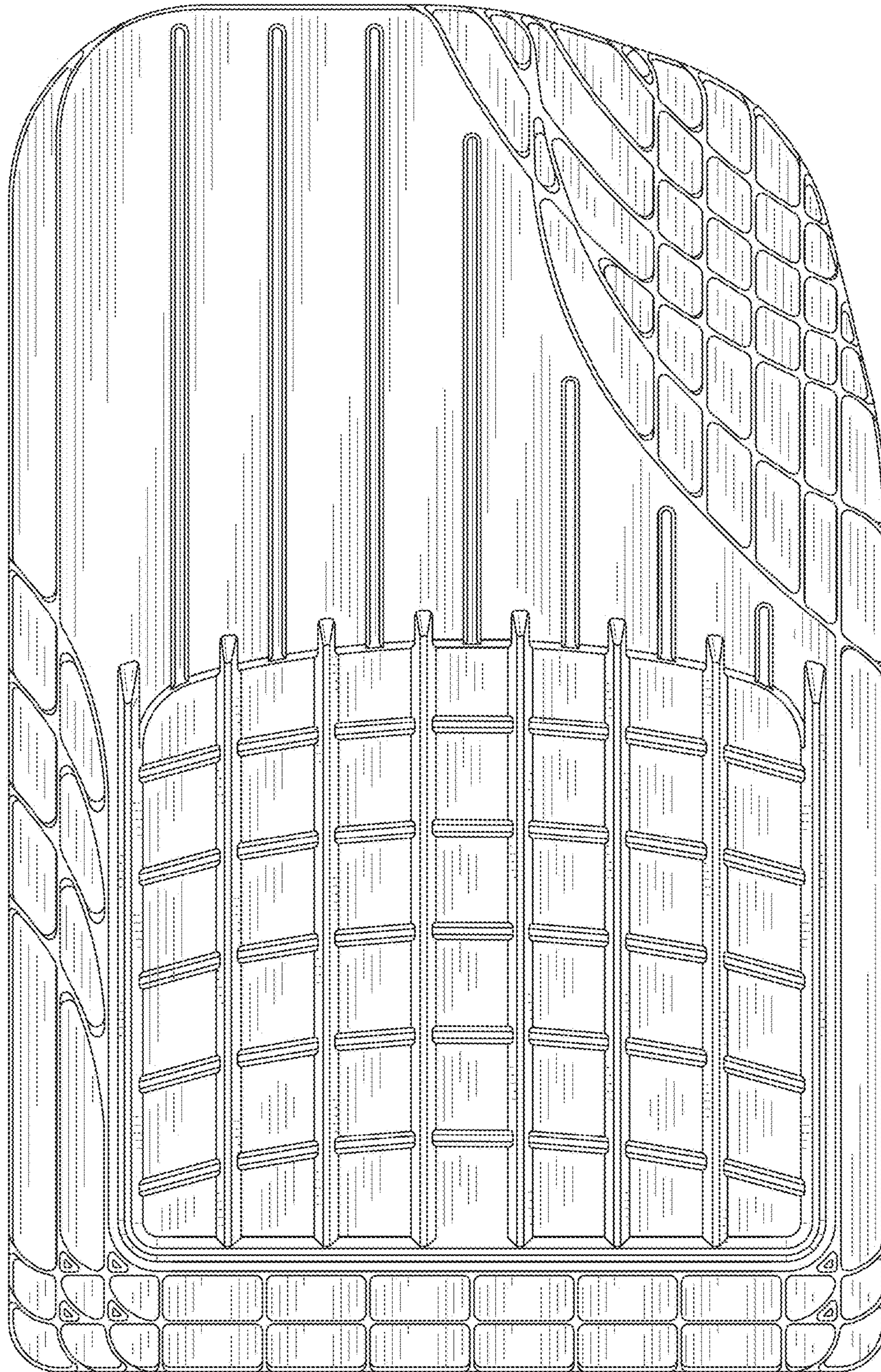


FIG. 8

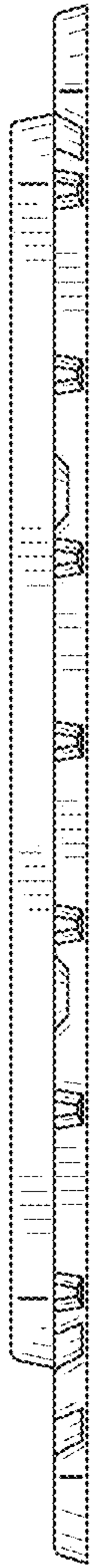


FIG. 9



FIG. 10



FIG. 11



FIG. 12

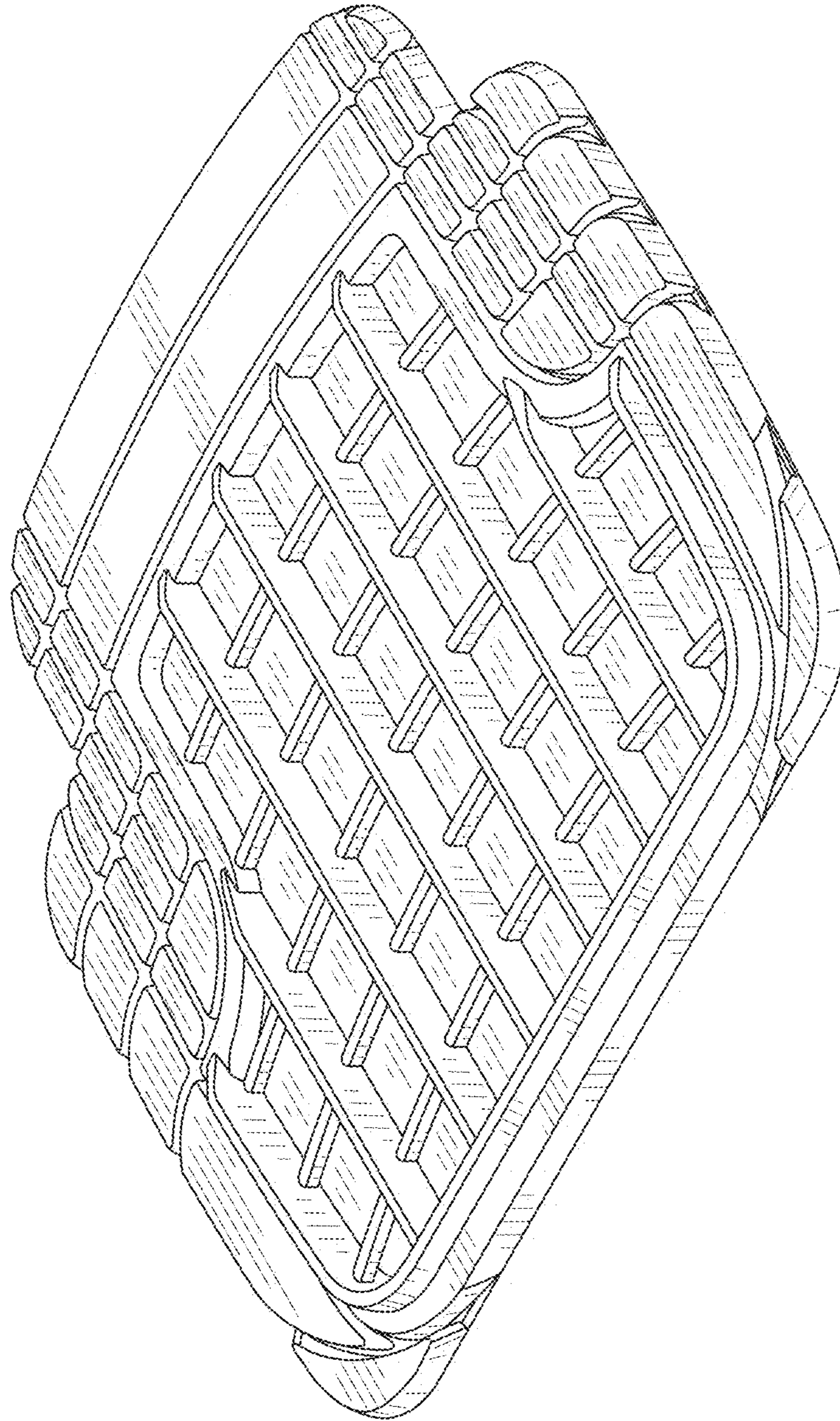


FIG. 13

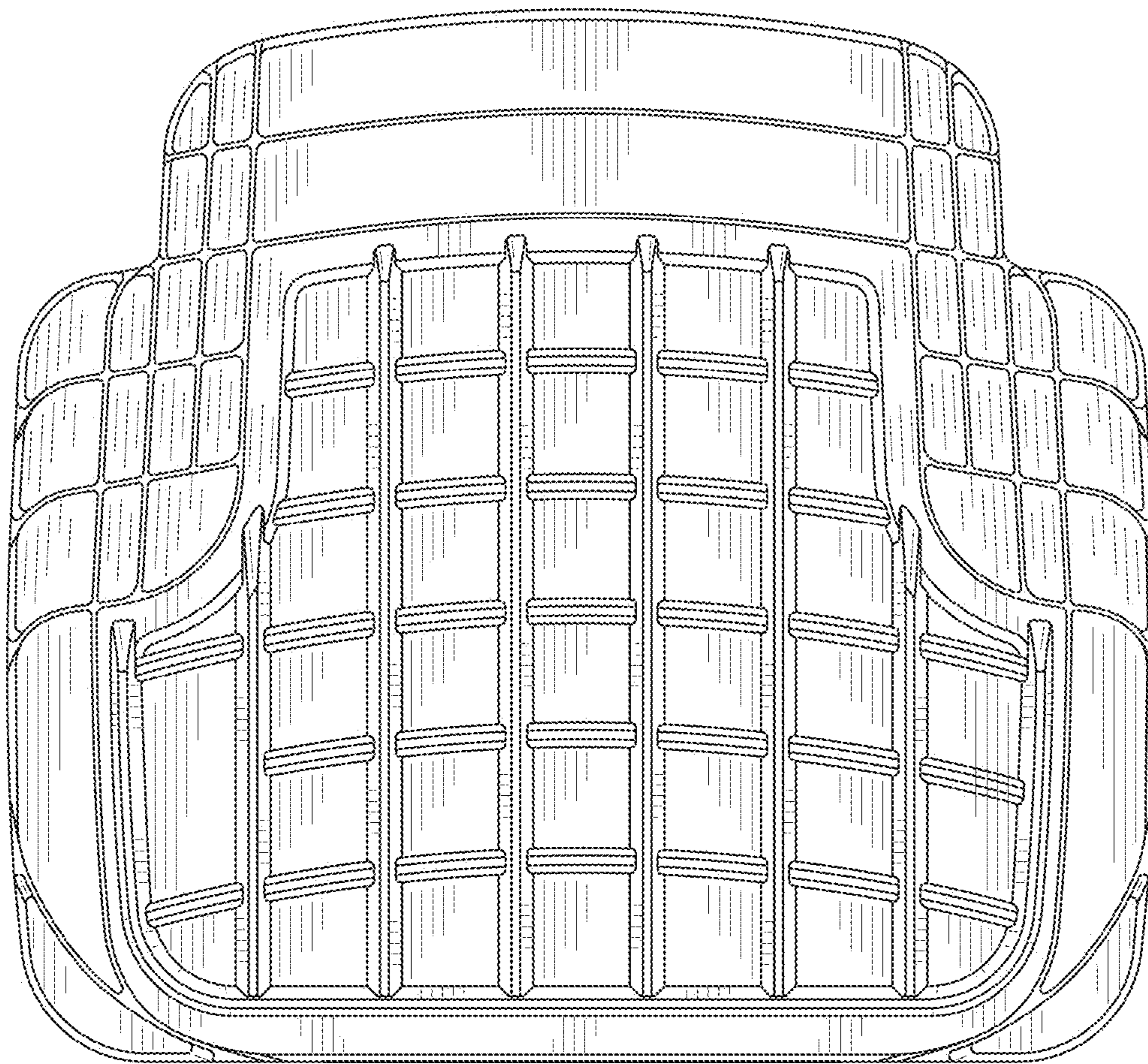


FIG. 14

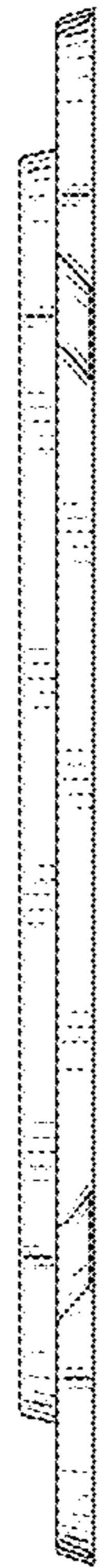


FIG. 15



FIG. 16



FIG. 17



FIG. 18