



US00D804381S

(12) **United States Design Patent** (10) **Patent No.:** **US D804,381 S**
Akrapovic (45) **Date of Patent:** **** Dec. 5, 2017**

(54) **EXHAUST PIPE**
(71) Applicant: **Igor Akrapovic**, Ljubljana (SI)
(72) Inventor: **Igor Akrapovic**, Ljubljana (SI)

(**) Term: **15 Years**

(21) Appl. No.: **35/501,289**

(22) Filed: **Jan. 27, 2016**

(80) **Hague Agreement Data**

Int. Filing Date: **Jan. 27, 2016**

Int. Reg. No.: **DM/089785**

Int. Reg. Date: **Jan. 27, 2016**

Int. Reg. Pub. Date: **Jul. 29, 2016**

(51) **LOC (10) Cl.** **12-16**

(52) **U.S. Cl.**
USPC **D12/194**

(58) **Field of Classification Search**
USPC D12/194; D15/5
CPC ... F01N 1/04; F01N 1/24; F01N 13/08; F01N
13/082; F01N 13/085; F01N 13/087
See application file for complete search history.

(56) **References Cited**

U.S. PATENT DOCUMENTS

D246,038 S * 10/1977 Moller D12/194
6,431,311 B1 * 8/2002 Brown F01N 13/082
181/227
D467,210 S * 12/2002 Yu D12/194
D480,030 S * 9/2003 Gilli D12/194
D490,036 S * 5/2004 Cho D12/194
D495,642 S * 9/2004 Luttig D12/194
D496,313 S * 9/2004 Suzuki D12/194

D541,718 S * 5/2007 Emler D12/194
D550,134 S * 9/2007 Akrapovic D12/194
D578,050 S * 10/2008 Hsu D12/194
D589,422 S * 3/2009 Davis, Jr. D12/194
D654,839 S * 2/2012 Contreras D12/194
8,439,159 B1 * 5/2013 Borla F01N 1/083
181/212
D689,420 S * 9/2013 Chou D12/194
D709,012 S * 7/2014 Chou D12/194
D712,812 S * 9/2014 Verlengiere D12/194
D762,540 S * 8/2016 Yasuhara D12/194
D767,456 S * 9/2016 Finnie D12/194
D773,970 S * 12/2016 Kobayashi D12/194
2008/0121456 A1 * 5/2008 Davis F01N 13/20
180/309

* cited by examiner

Primary Examiner — Darlington Ly

(74) *Attorney, Agent, or Firm* — Olson & Cepuritis, Ltd.

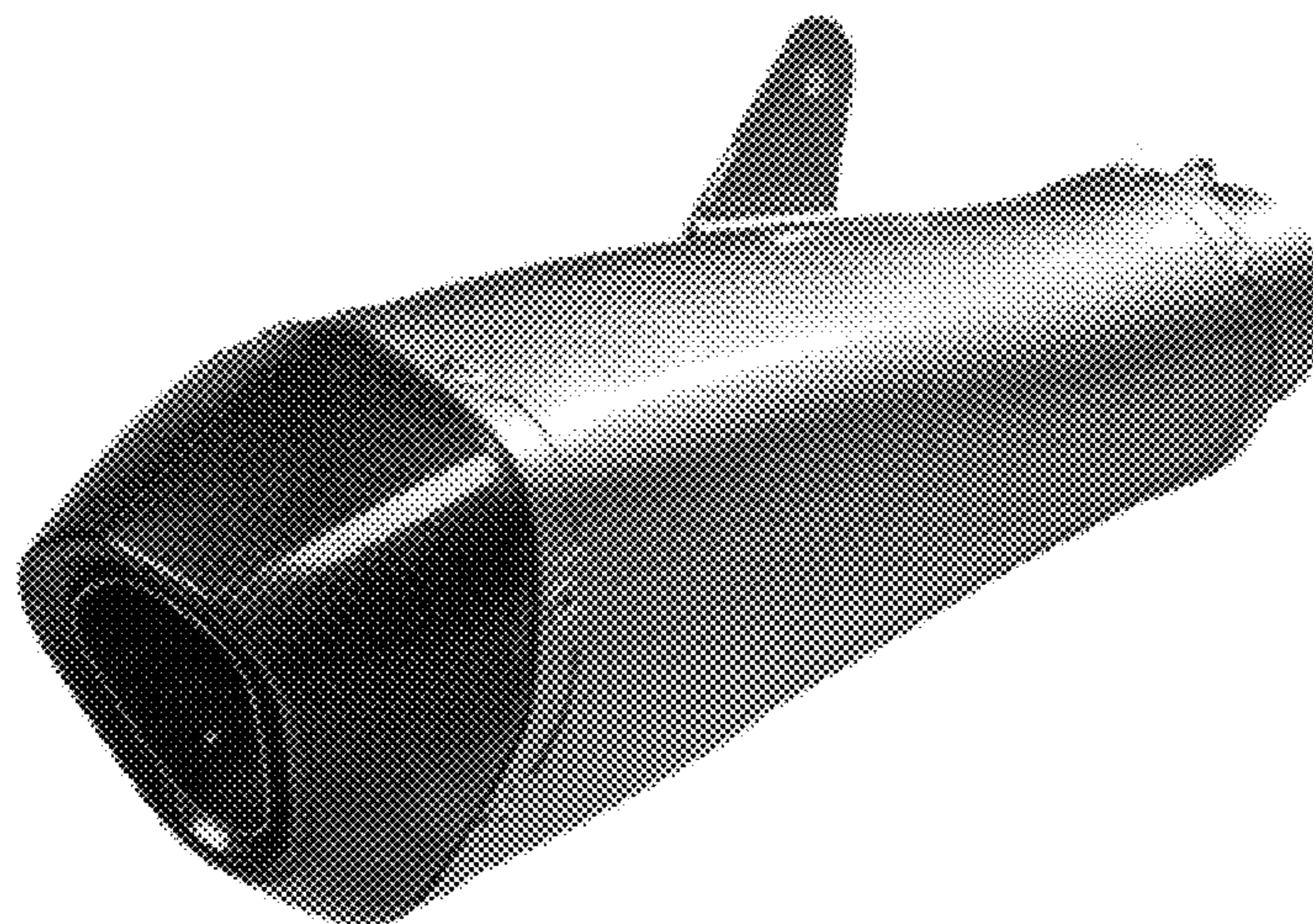
(57) **CLAIM**

The ornamental design for an exhaust pipe, as shown and described.

DESCRIPTION

1. Exhaust pipe
1.1 is a top, rear, and right side perspective view of an exhaust pipe showing my new design;
1.2 is a bottom, rear, and right side perspective view thereof;
1.3 is a rear view thereof;
1.4 is a left side view thereof;
1.5 is a right side view thereof;
1.6 is a top view thereof;
1.7 is a bottom view thereof;
1.8 is a front view thereof;
1.9 is a top, rear, and left side perspective view thereof.

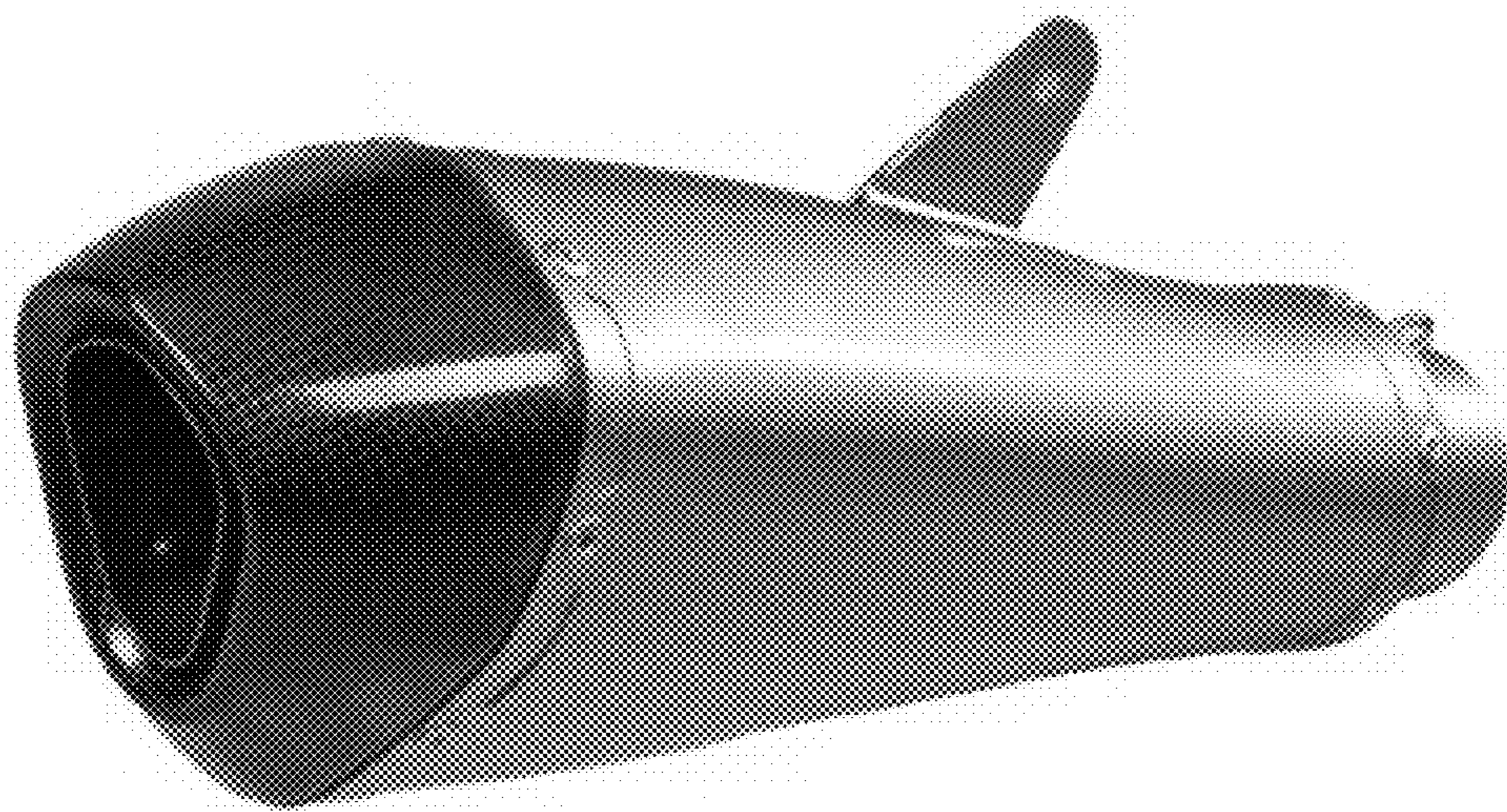
1 Claim, 9 Drawing Sheets



1.1



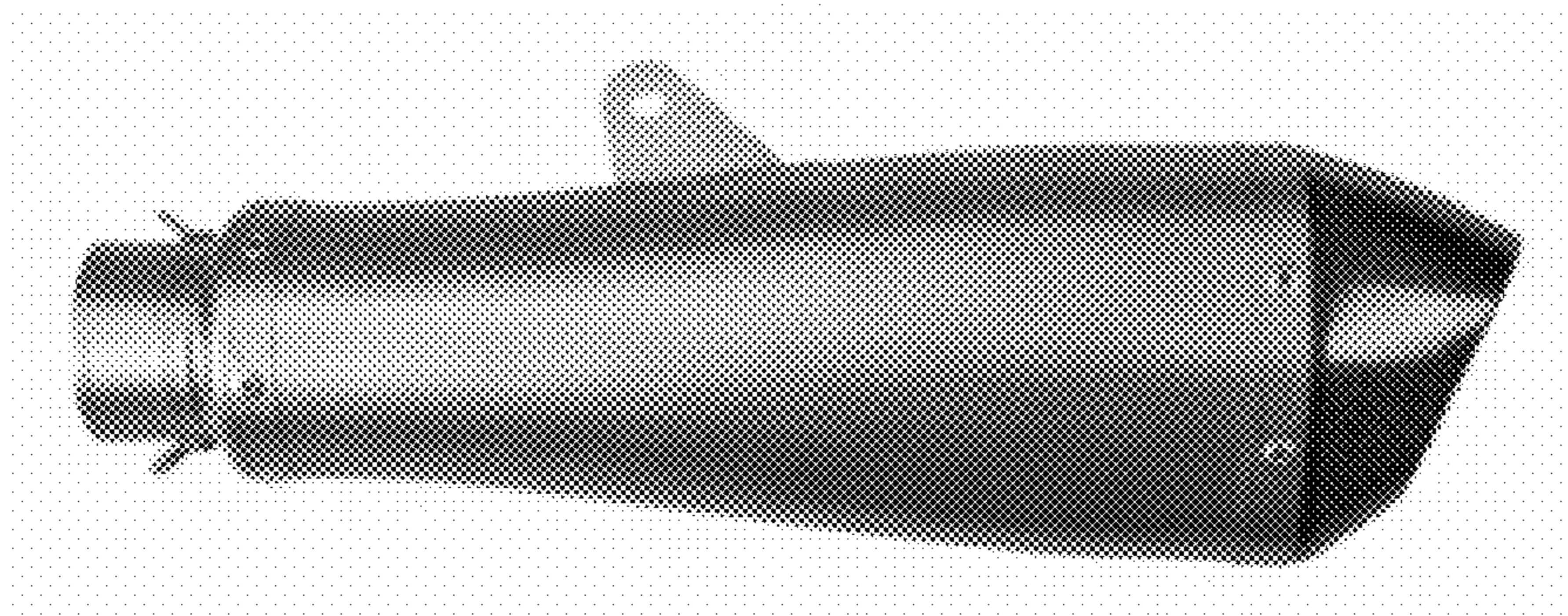
1.2



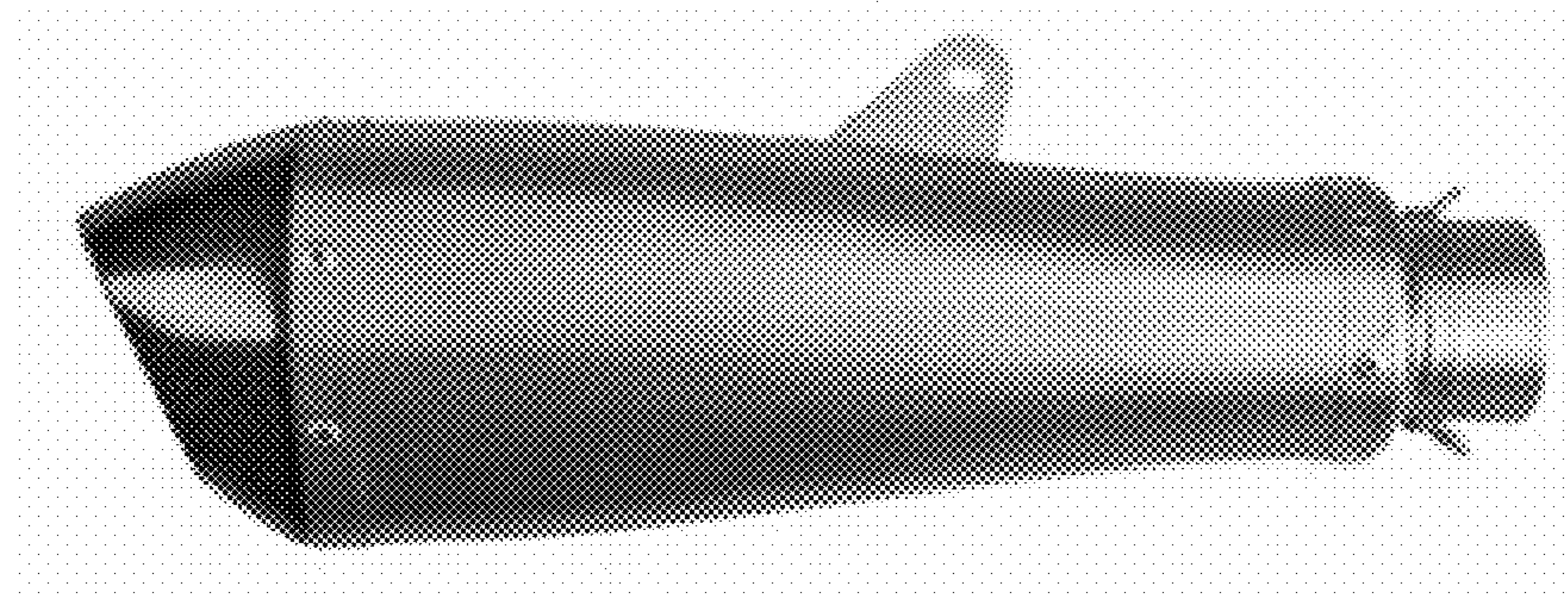
1.3



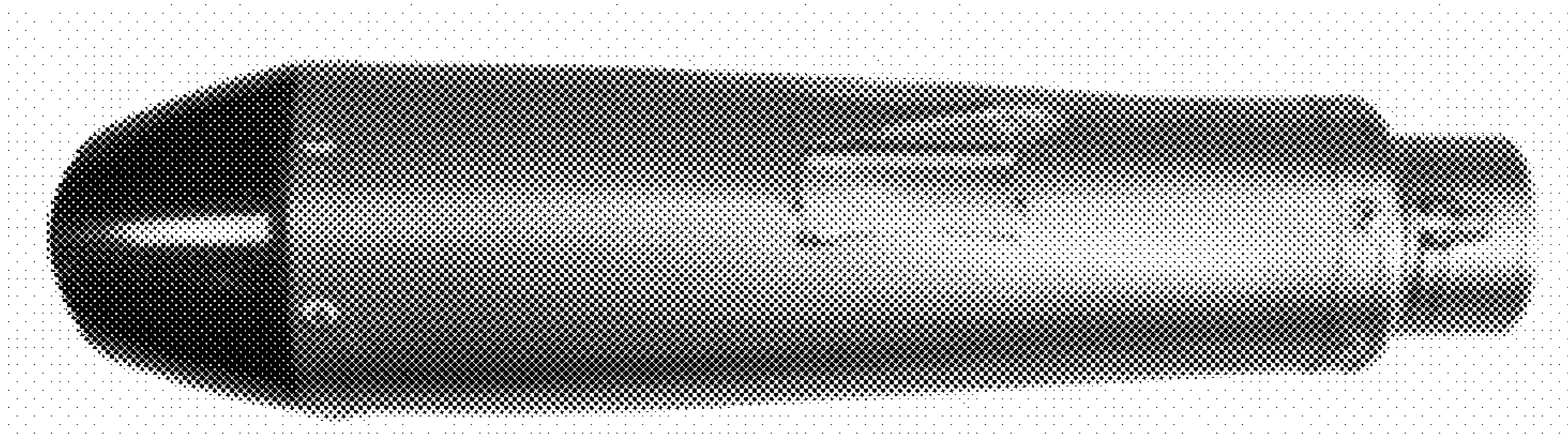
1.4



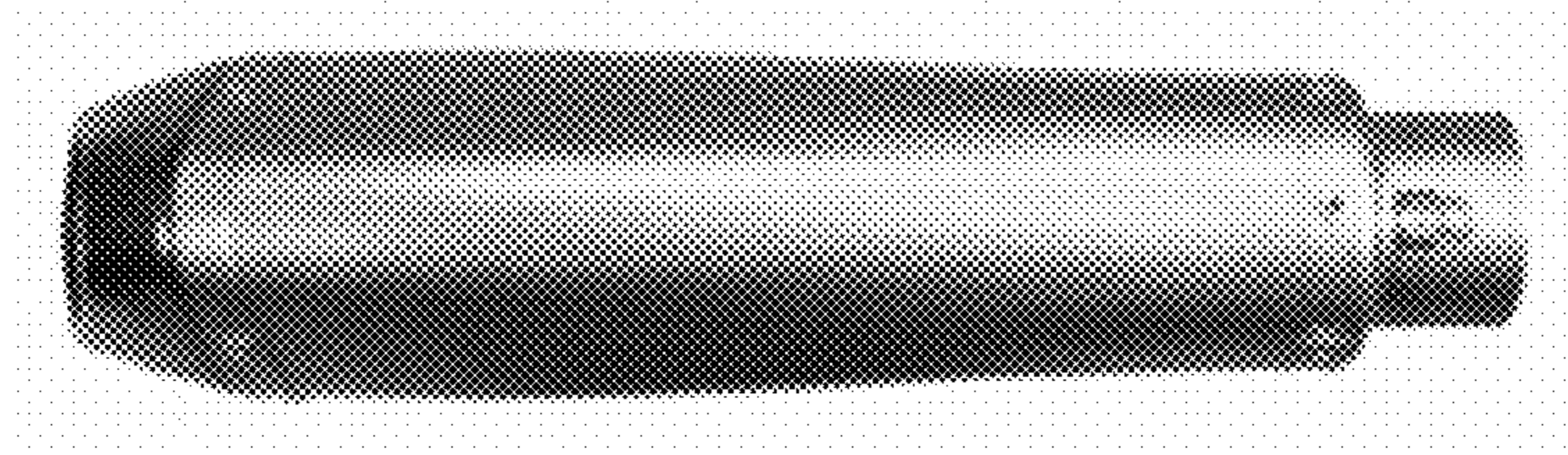
1.5



1.6



1.7



1.8



1.9

