



US00D804380S

(12) **United States Design Patent**
Nakai

(10) **Patent No.:** **US D804,380 S**

(45) **Date of Patent:** **** Dec. 5, 2017**

(54) **INSTRUMENT PANEL FOR AUTOMOBILE**

(71) Applicant: **HONDA MOTOR CO., LTD.**, Tokyo (JP)

(72) Inventor: **Yuta Nakai**, Wako (JP)

(73) Assignee: **HONDA MOTOR CO., LTD.**, Tokyo (JP)

(**) Term: **15 Years**

(21) Appl. No.: **29/580,234**

(22) Filed: **Oct. 6, 2016**

(30) **Foreign Application Priority Data**

Apr. 12, 2016 (JP) 2016-008093

(51) **LOC (10) Cl.** **12-16**

(52) **U.S. Cl.**
USPC **D12/192**

(58) **Field of Classification Search**
USPC D12/192, 415, 110, 114; D15/17, 28;
D10/46, 98, 102-103, 122-127
CPC G08G 1/096883; G01C 21/16; G01C
21/3688; G01C 21/30
See application file for complete search history.

(56) **References Cited**

U.S. PATENT DOCUMENTS

D762,152 S * 7/2016 Inagaki D12/192
D763,154 S * 8/2016 Chang D12/192

D763,155 S * 8/2016 Sahs D12/192
D770,953 S * 11/2016 Tanaka D12/192
D771,541 S * 11/2016 Shouno D12/192
D776,029 S * 1/2017 Callum D12/192
D778,796 S * 2/2017 Gommier D12/192
D780,649 S * 3/2017 Tanaka D12/192
D791,026 S * 7/2017 Willis D12/192
D791,663 S * 7/2017 Gonzalez D12/192
D791,664 S * 7/2017 Igarashi D12/192

* cited by examiner

Primary Examiner — Katrina A Betton

(74) *Attorney, Agent, or Firm* — Westerman, Hattori, Daniels & Adrian, LLP

(57) **CLAIM**

The ornamental design for an instrument panel for automobile, as shown and described.

DESCRIPTION

FIG. 1 is a perspective view from a front and left side of an instrument panel for automobile;
FIG. 2 is a perspective view from the front and right side thereof;
FIG. 3 is a front elevation view thereof;
FIG. 4 is a top plan view thereof;
FIG. 5 is a left side elevation view thereof; and,
FIG. 6 is a right side elevation view thereof.
The broken lines in the drawings illustrate portions of the instrument panel for automobile that forms no part of the claimed design.

1 Claim, 6 Drawing Sheets

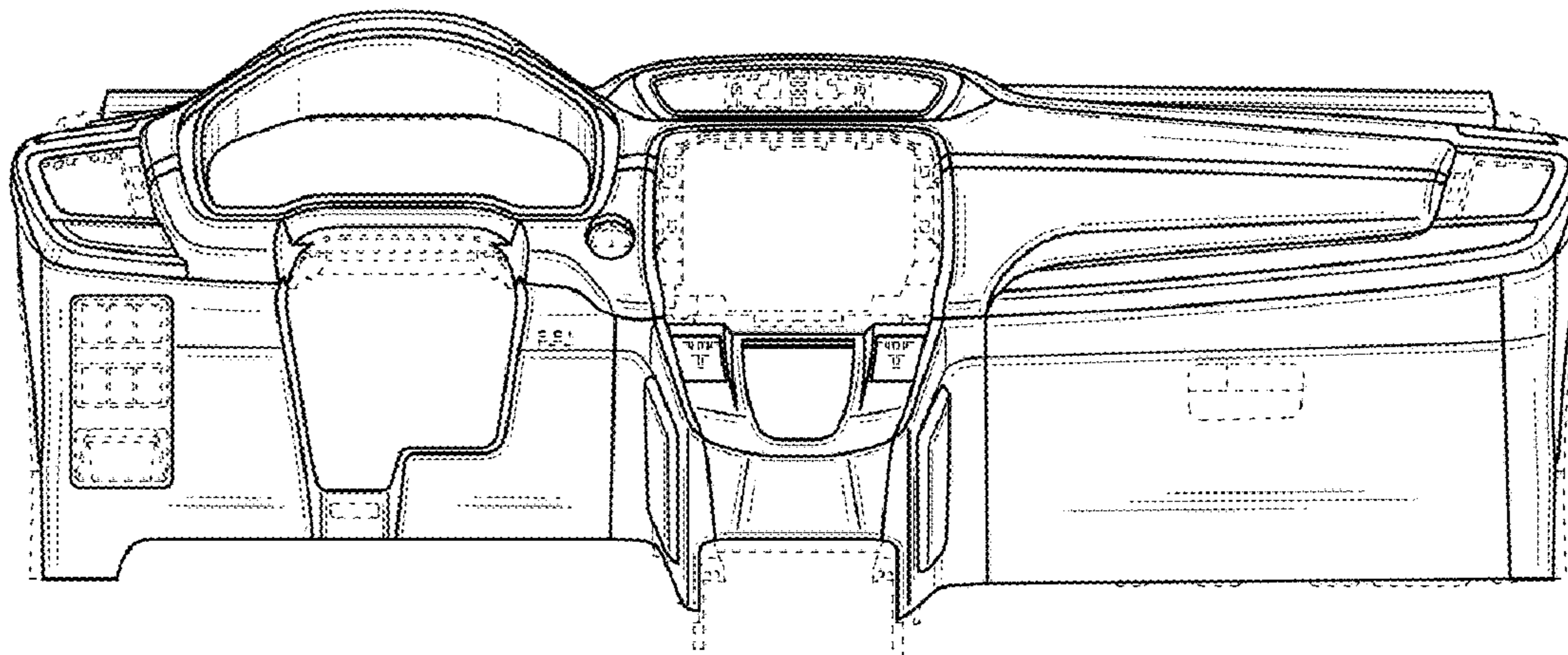


FIG. 1

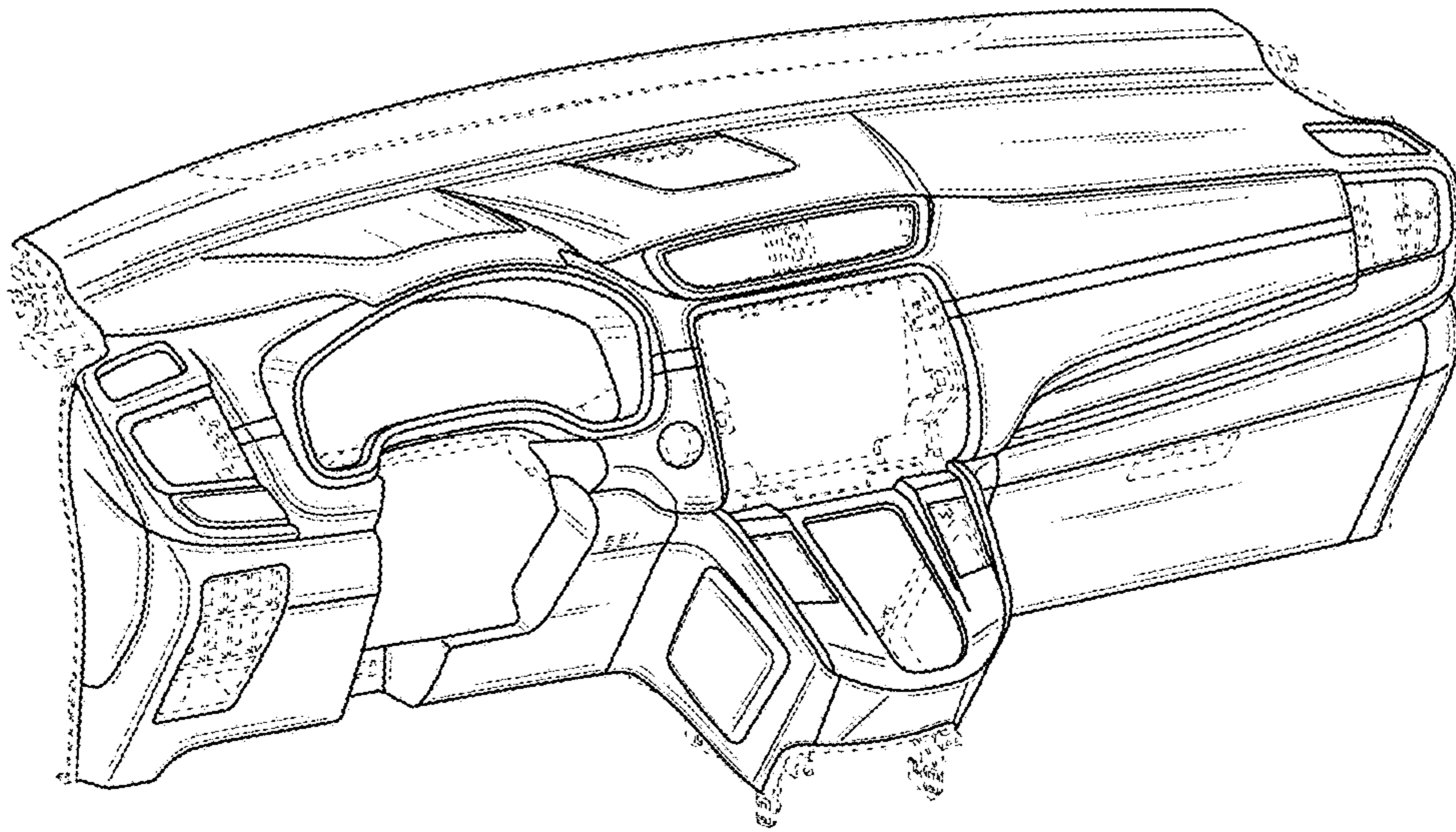


FIG. 2

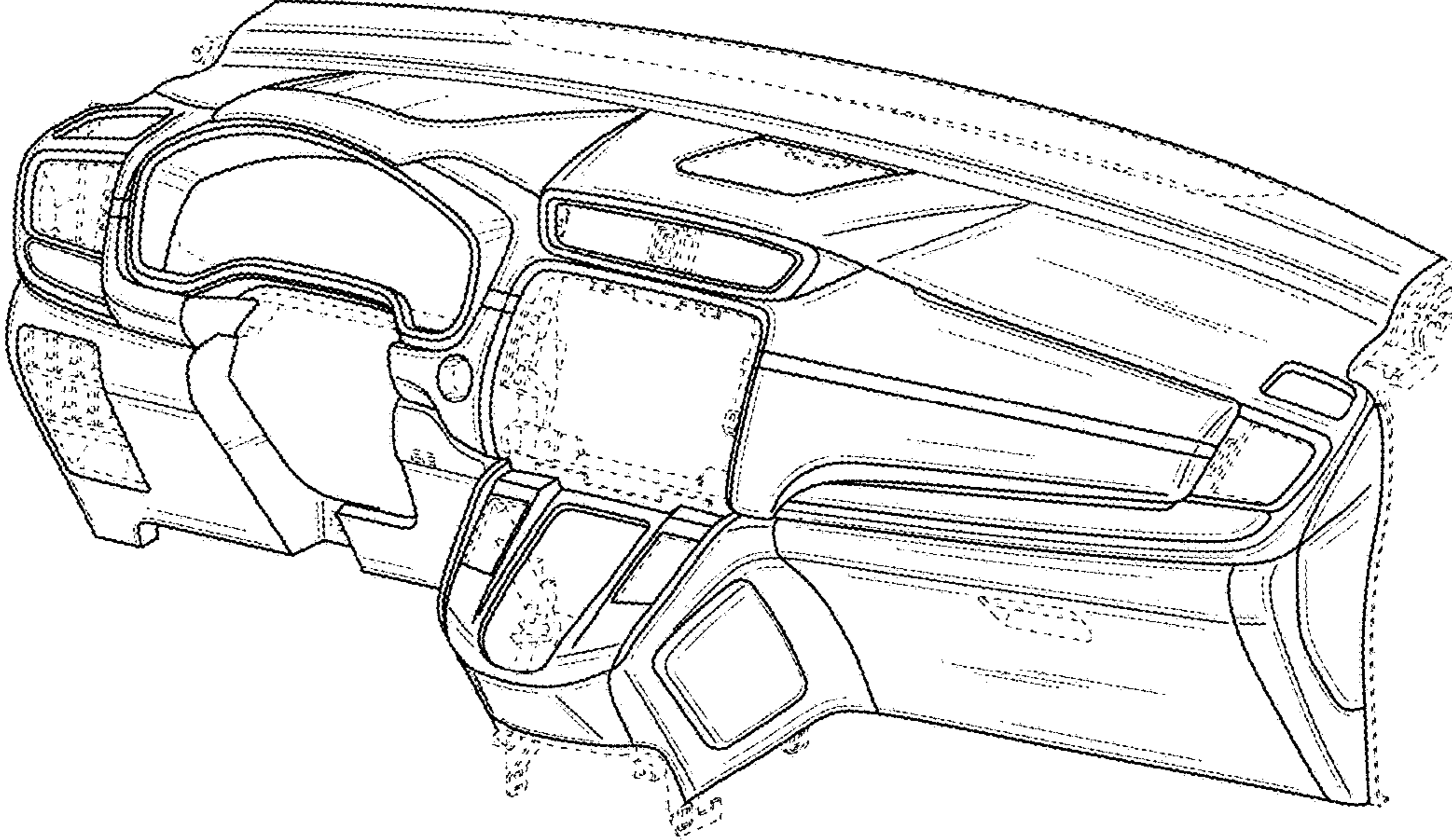


FIG. 3

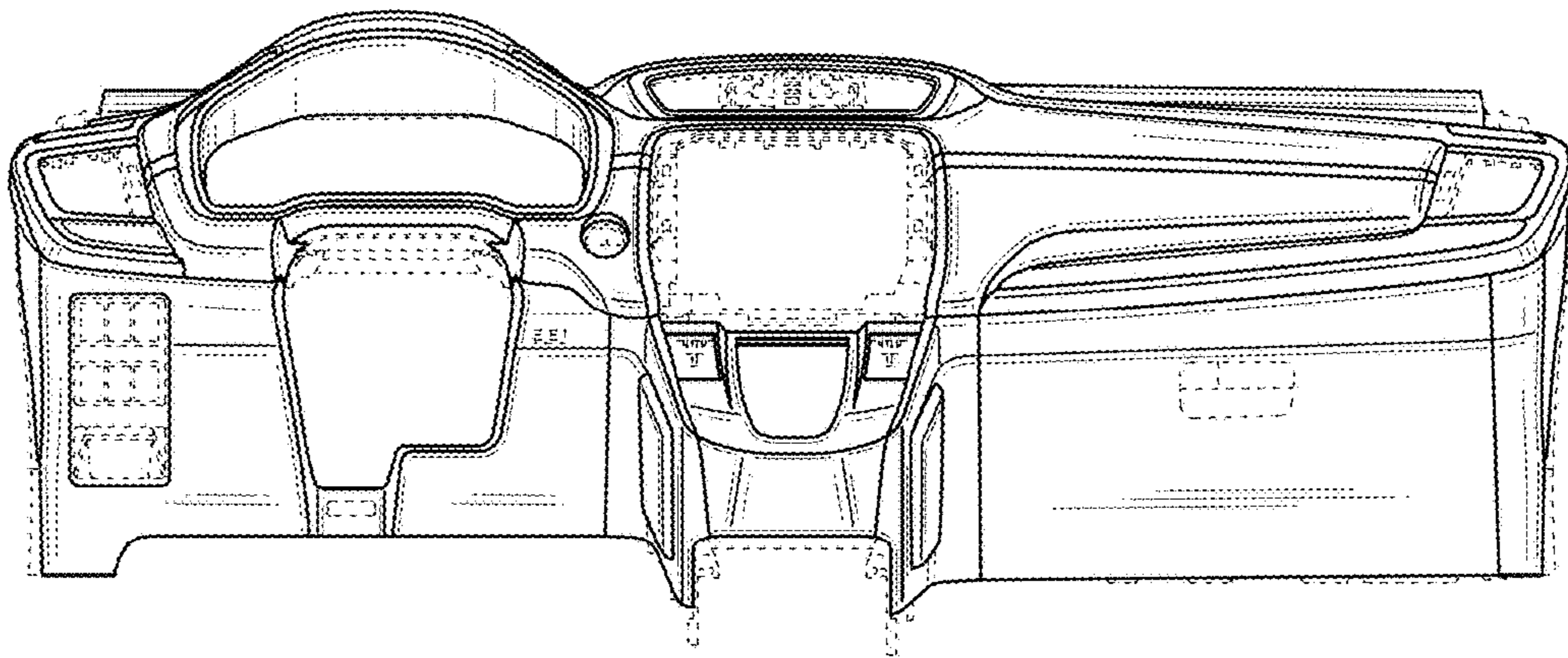


FIG. 4

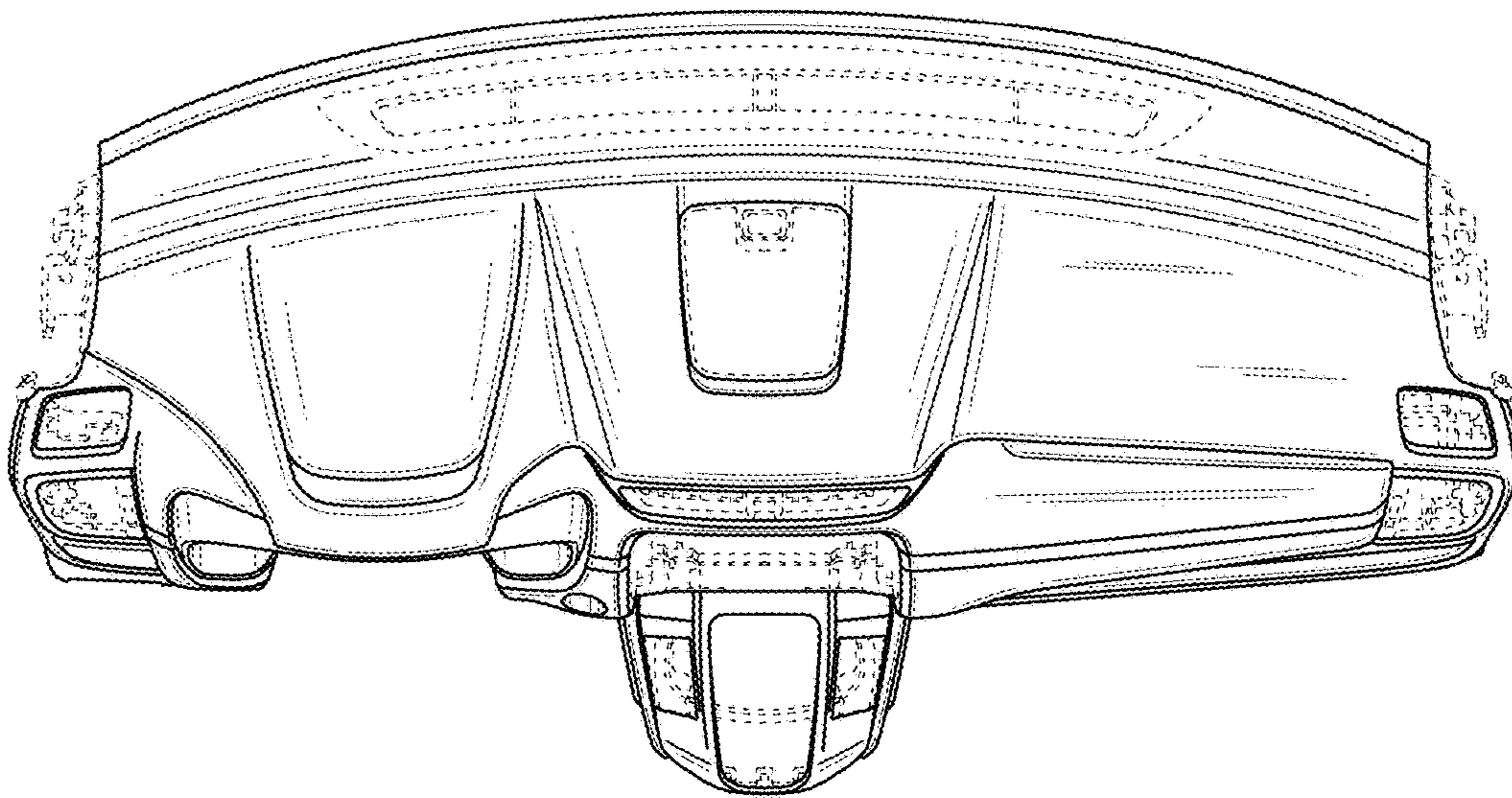


FIG. 5

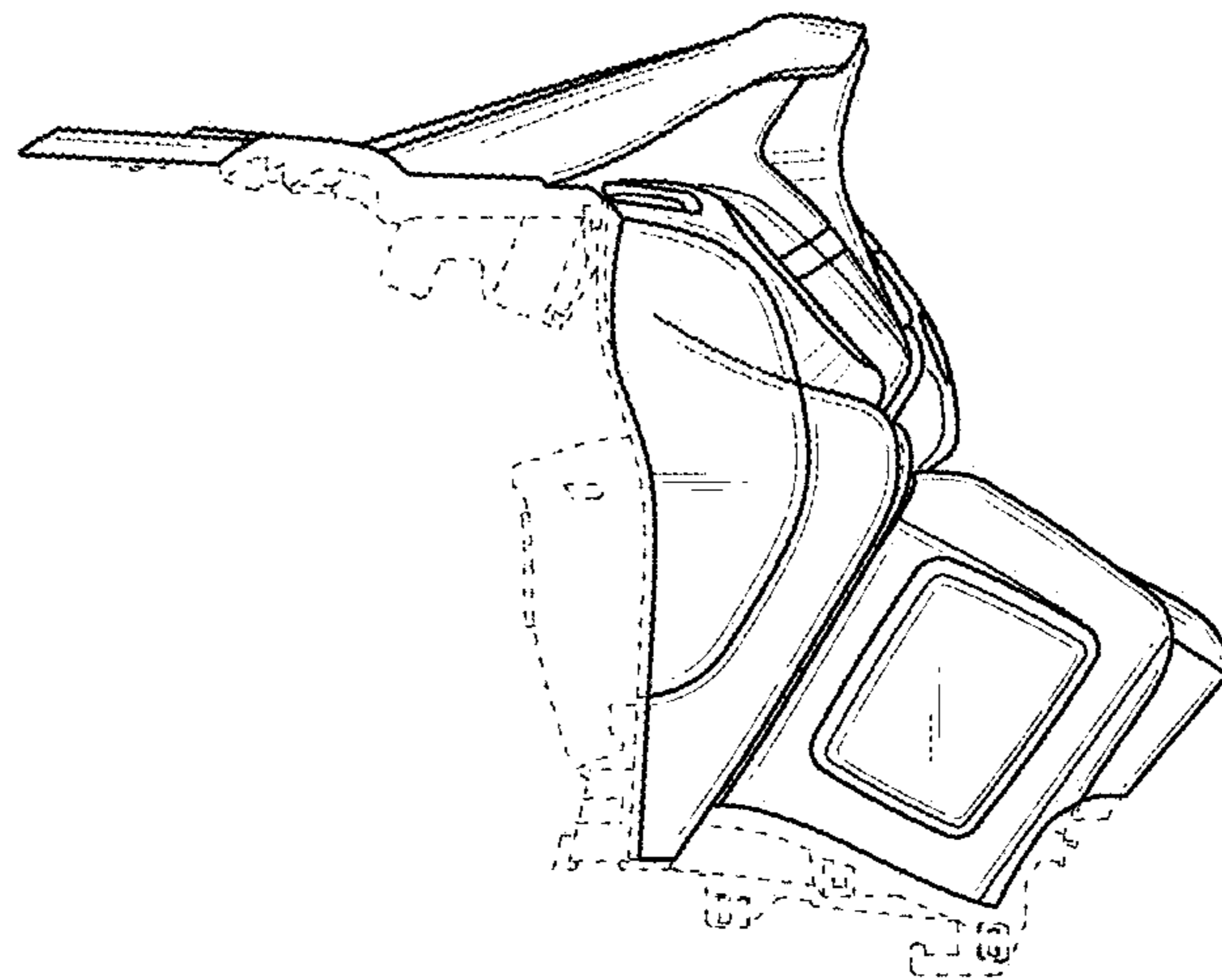


FIG. 6

