



US00D804375S

(12) **United States Design Patent** (10) **Patent No.:** **US D804,375 S**
Crippa et al. (45) **Date of Patent:** **** Dec. 5, 2017**

(54) **DISC BRAKE CALIPER**
(71) Applicant: **FRENI BREMBO S.P.A.**, Curno (IT)
(72) Inventors: **Cristian Crippa**, Brescia (IT); **Fabio Scotti**, Bergamo (IT); **Andrea Teruzzi**, Bergamo (IT)
(73) Assignee: **FRENI BREMBO S.p.A.**, Curno (Bergamo) (IT)
(**) Term: **15 Years**
(21) Appl. No.: **35/501,390**
(22) Filed: **May 17, 2016**
(80) **Hague Agreement Data**
Int. Filing Date: **May 17, 2016**
Int. Reg. No.: **DM/091928**
Int. Reg. Date: **May 17, 2016**
Int. Reg. Pub. Date: **Aug. 12, 2016**

(51) **LOC (10) Cl.** **12-16**
(52) **U.S. Cl.**
USPC **D12/180**
(58) **Field of Classification Search**
USPC D12/180
CPC F16D 55/226; F16D 65/0068; F16D 65/18;
F16D 65/58; F16D 65/183
See application file for complete search history.

(56) **References Cited**
U.S. PATENT DOCUMENTS
D373,340 S * 9/1996 Sands D12/180
D442,900 S * 5/2001 Separautzki D12/180
D506,714 S * 6/2005 Ono D12/180
D508,000 S * 8/2005 Schorn D12/180
D512,352 S * 12/2005 Veneziano D12/180
D520,924 S * 5/2006 Gotti D12/180
D522,420 S * 6/2006 Crippa D12/180
D522,421 S * 6/2006 Crippa D12/180

D523,794 S * 6/2006 Strumbo D12/180
D555,555 S * 11/2007 Ikuzawa D12/180
D556,103 S * 11/2007 Morimoto D12/180
D588,513 S * 3/2009 Crippa D12/180
D600,613 S * 9/2009 Jungmann D12/180
D607,793 S * 1/2010 Maroni D12/180
D610,059 S * 2/2010 Azimonti D12/180
D610,507 S * 2/2010 Azimonti D12/180
D619,063 S * 7/2010 Veneziano D12/180
D623,102 S * 9/2010 Gherardi D12/180
D642,100 S * 7/2011 Crippa D12/180
D692,356 S * 10/2013 Owen D12/180
D700,551 S * 3/2014 Davenport, III D12/180
D785,520 S * 5/2017 Bonetti D12/180
9,657,789 B2 * 5/2017 Castellana F16D 55/226
D790,417 S * 6/2017 Bertone D12/180
2013/0092481 A1 * 4/2013 Crippa F16D 55/228
188/73.31
2015/0021124 A1 * 1/2015 Preda F16D 55/228
188/71.6

(Continued)

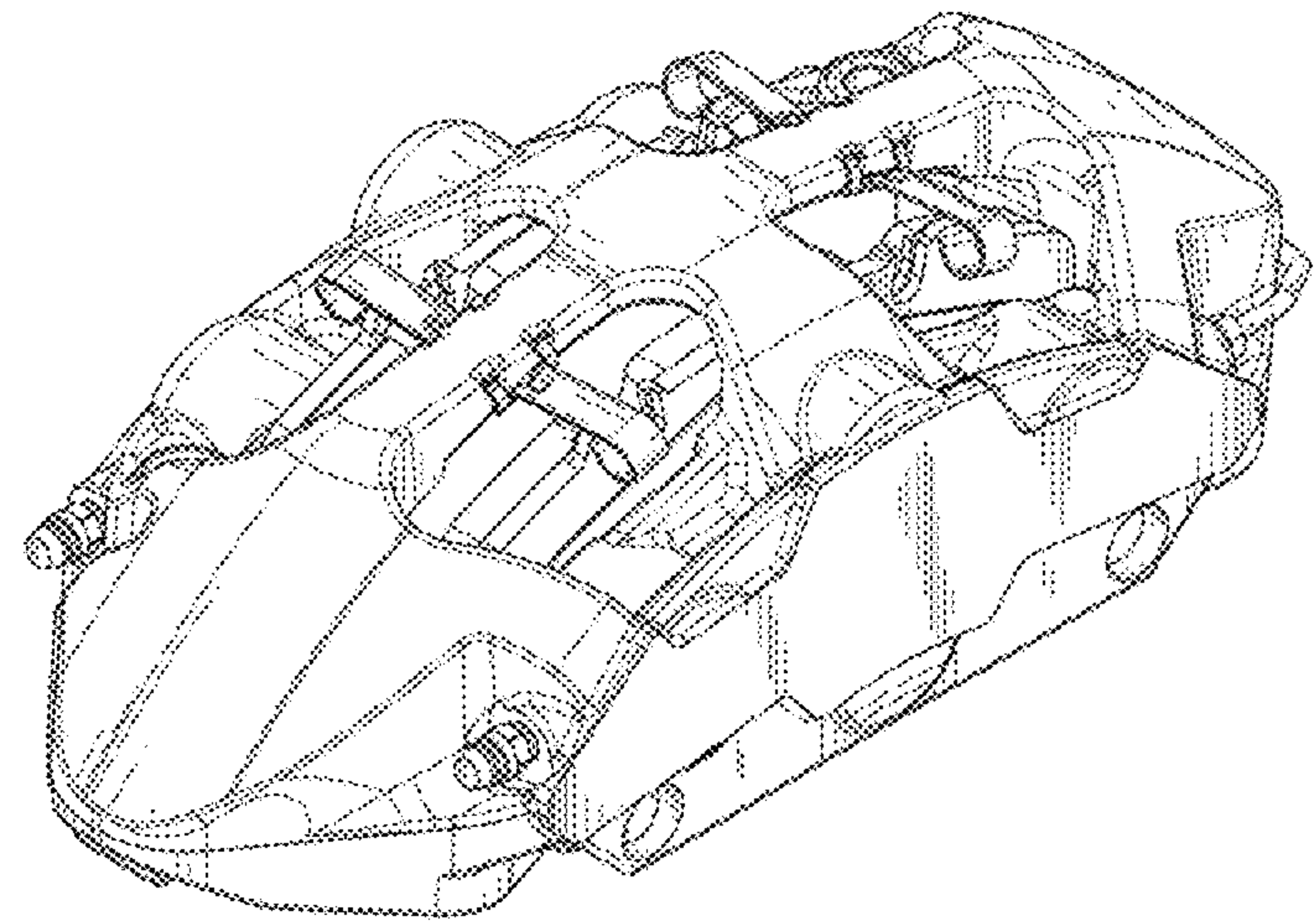
Primary Examiner — Darlington Ly
(74) *Attorney, Agent, or Firm* — Thomas | Horstemeyer, LLP

(57) **CLAIM**
The ornamental design for a disc brake caliper, as shown and described.

DESCRIPTION

1. Disc brake caliper
1.1 is a top, front, and left-side perspective view of a disc brake caliper showing our new design;
1.2 is a top, front, and right-side perspective view thereof;
1.3 is a top, rear, and left-side perspective view thereof;
1.4 is a top, rear, and right-side perspective view thereof;
1.5 is a front elevation view thereof;
1.6 is a rear elevation view thereof;
1.7 is a top plan view thereof;
1.8 is a right-side elevation view thereof; and
1.9 is a left-side elevation view thereof.

1 Claim, 9 Drawing Sheets



(56)

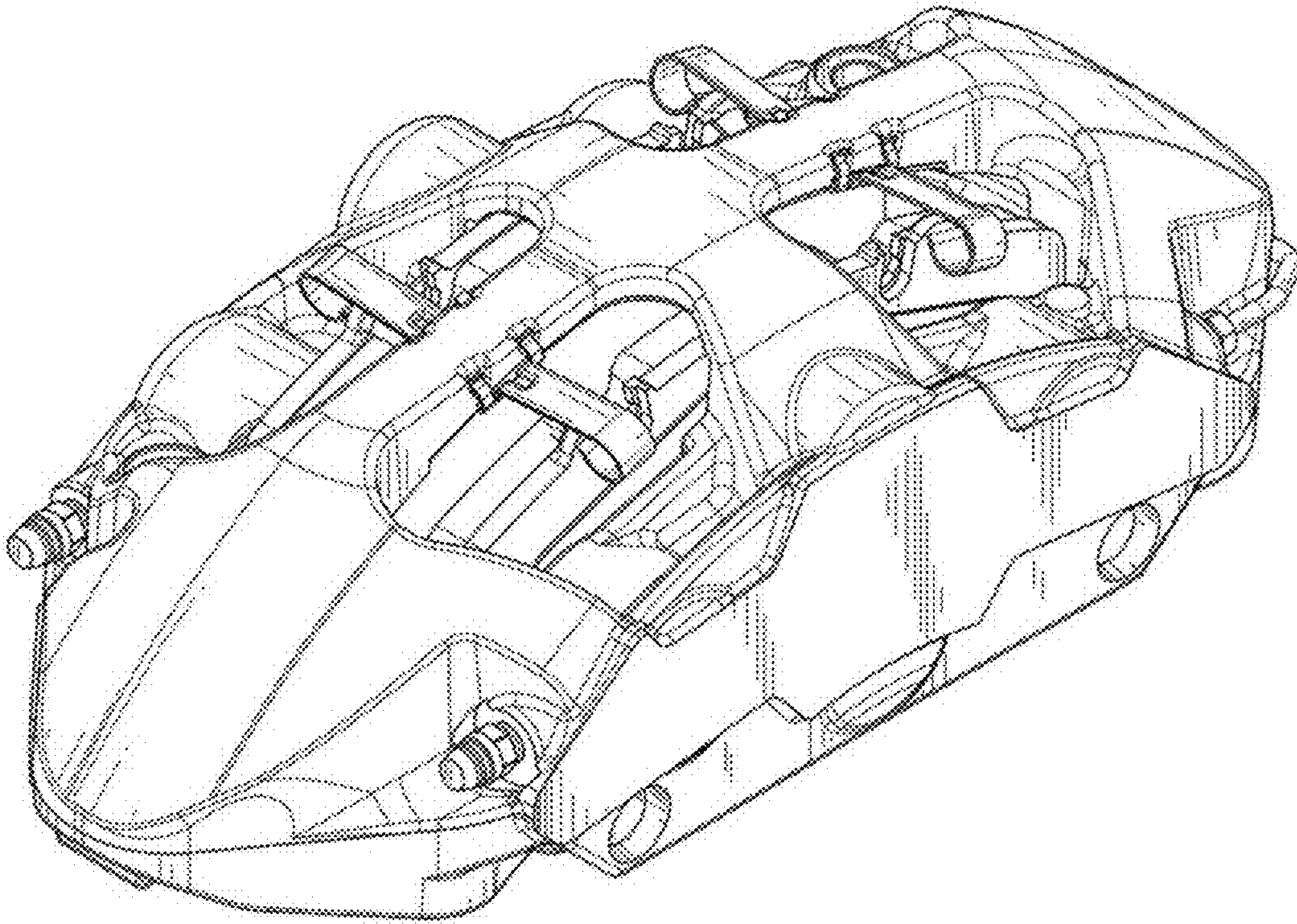
References Cited

U.S. PATENT DOCUMENTS

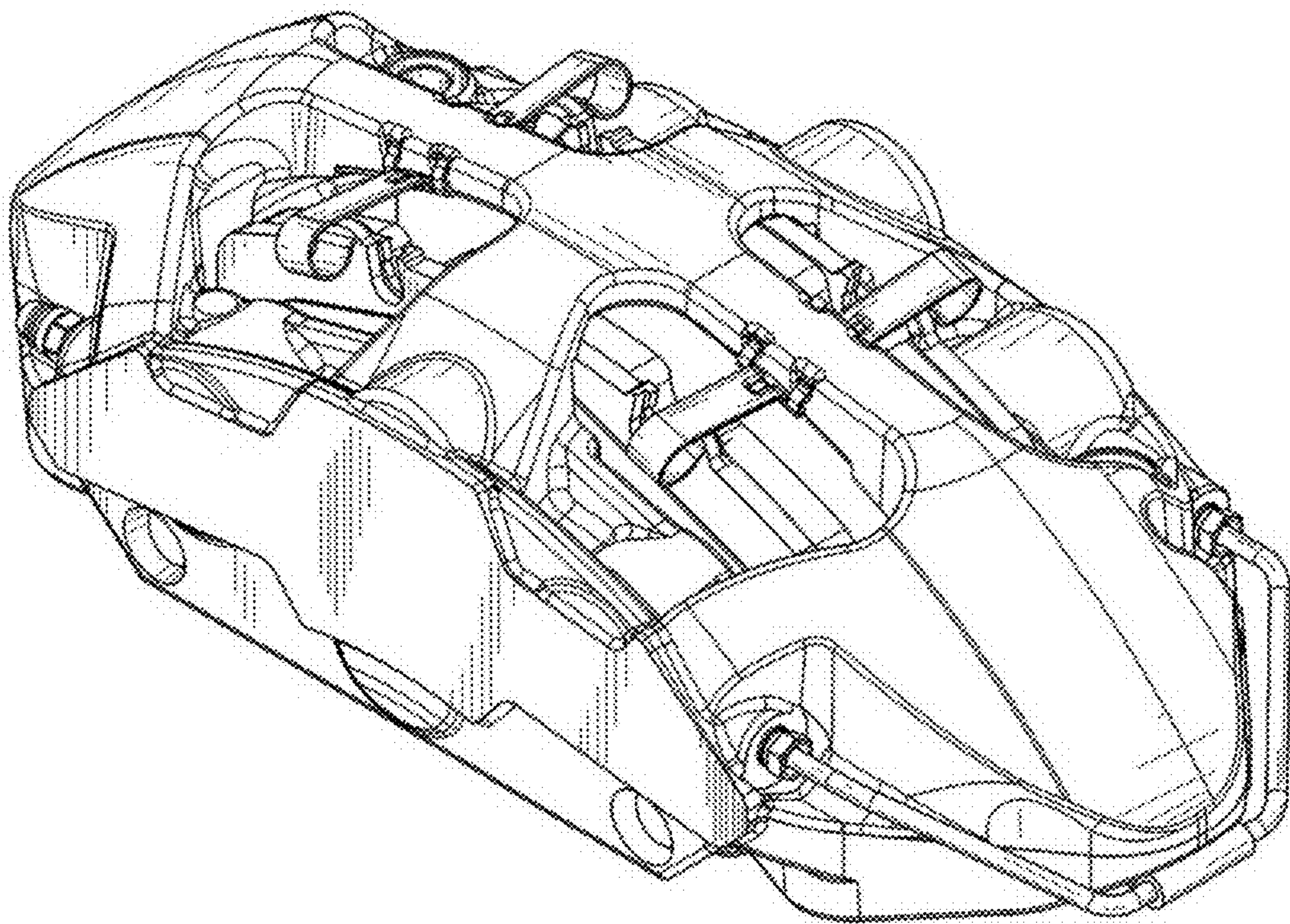
2015/0027821 A1* 1/2015 Nessi F16D 55/224
188/72.3
2016/0003315 A1* 1/2016 Crippa F16D 55/2265
188/72.3
2016/0053835 A1* 2/2016 Castellana F16D 55/22
188/72.4

* cited by examiner

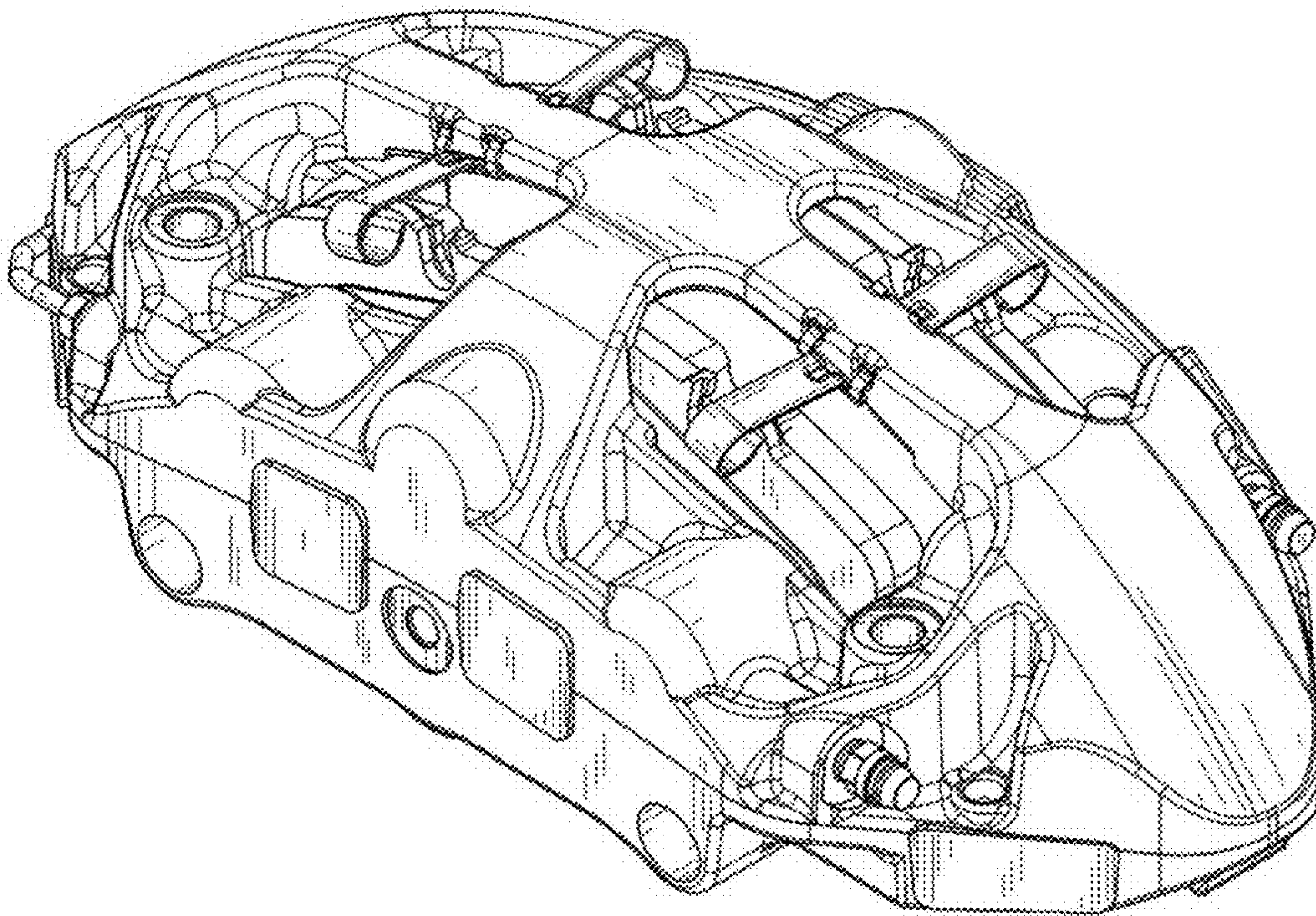
1.1



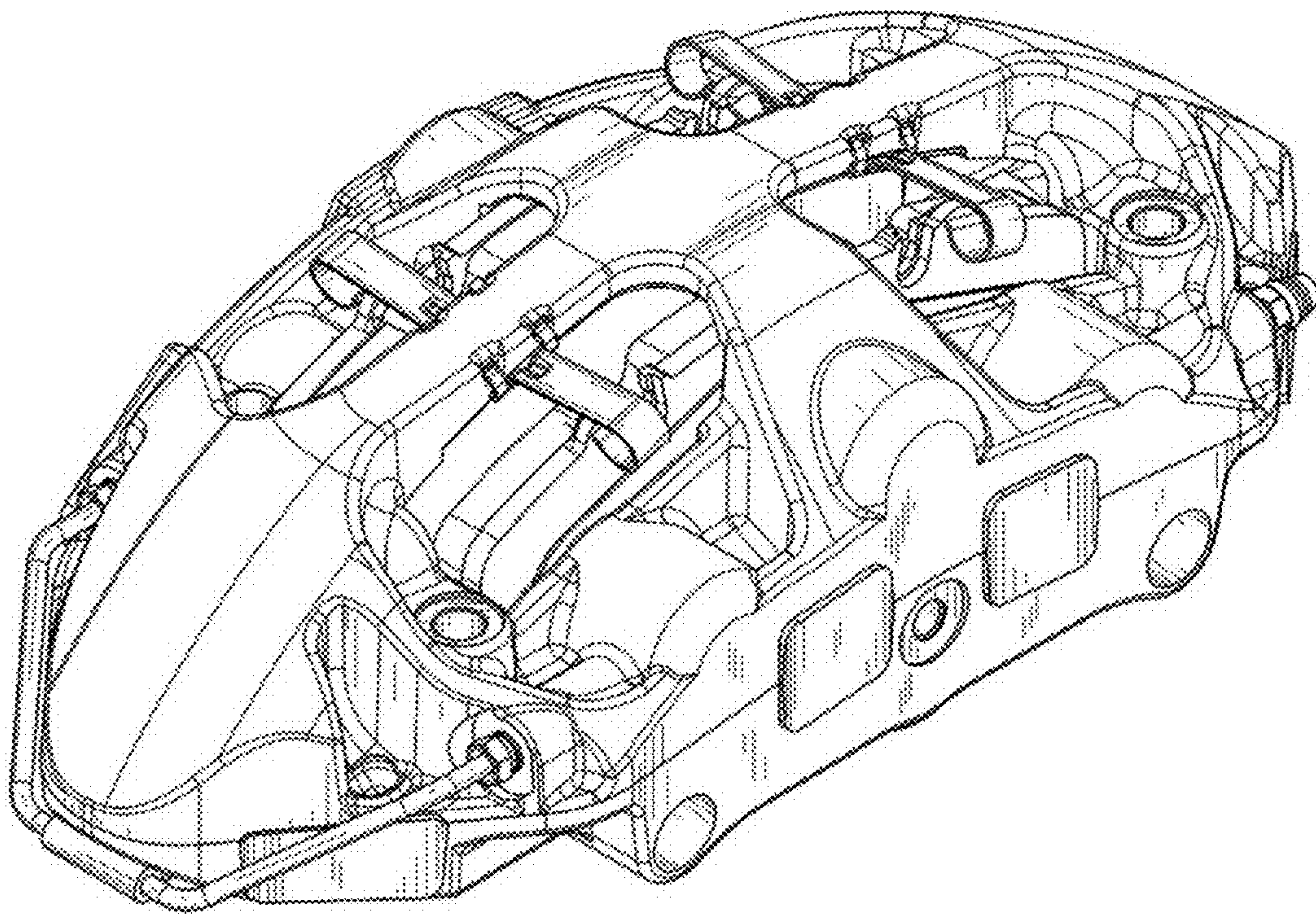
1.2



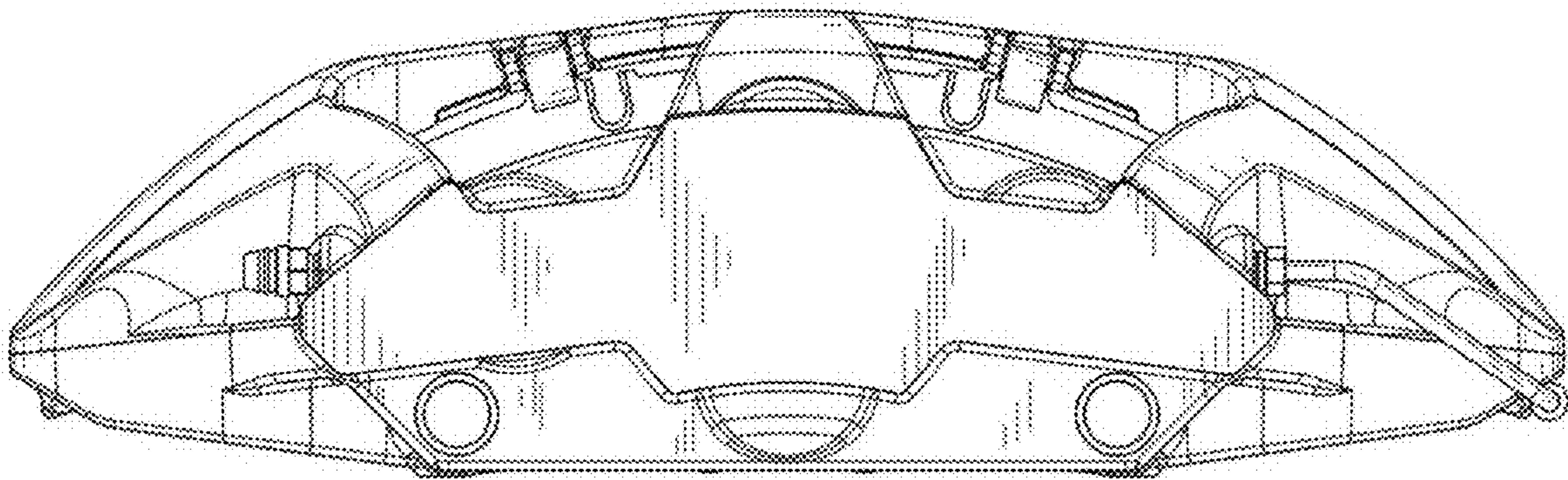
1.3



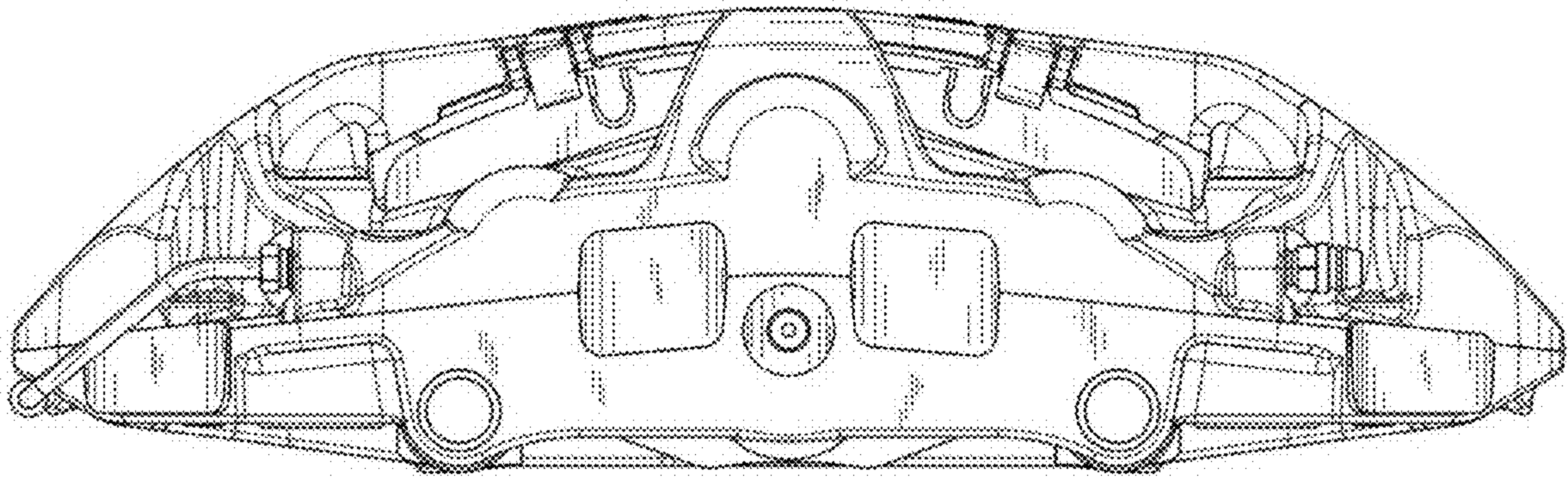
1.4



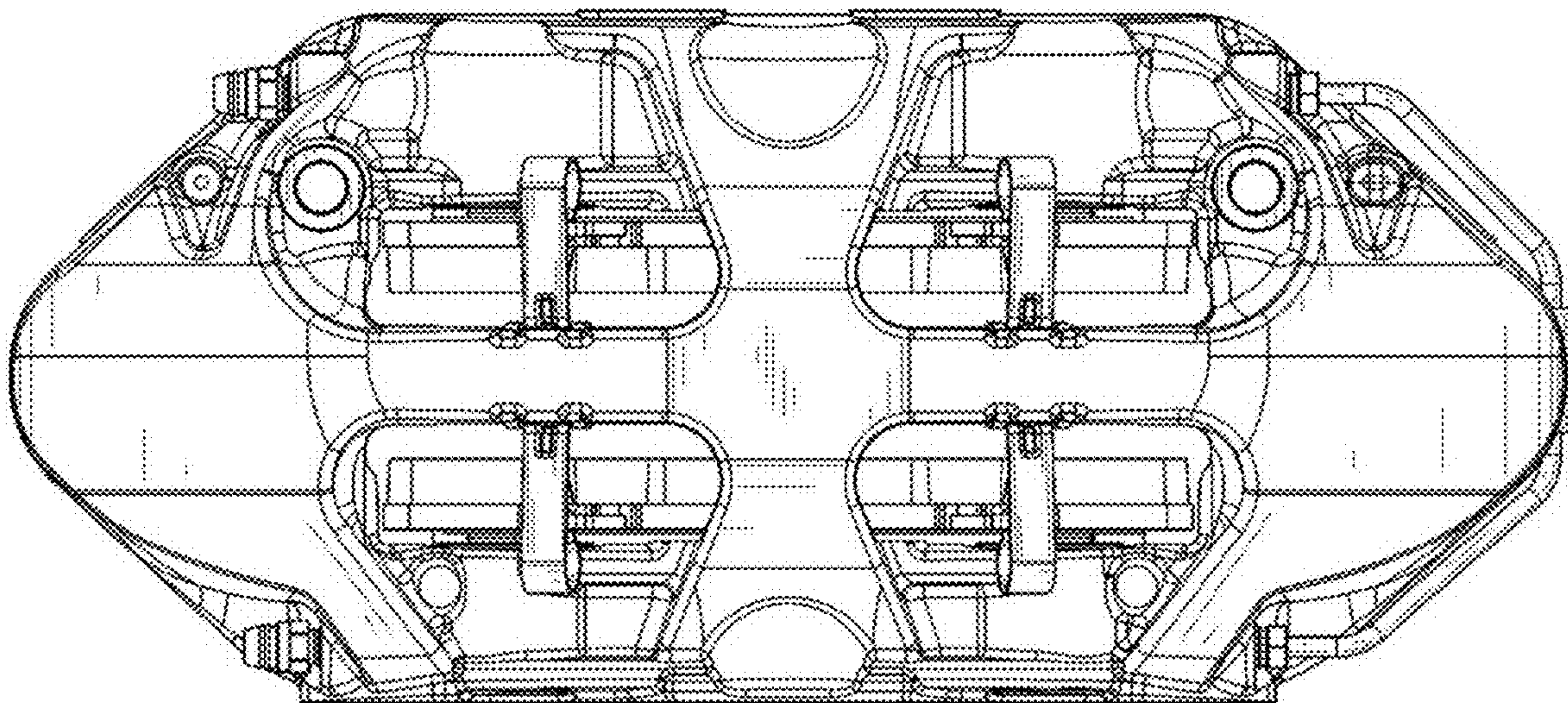
1.5



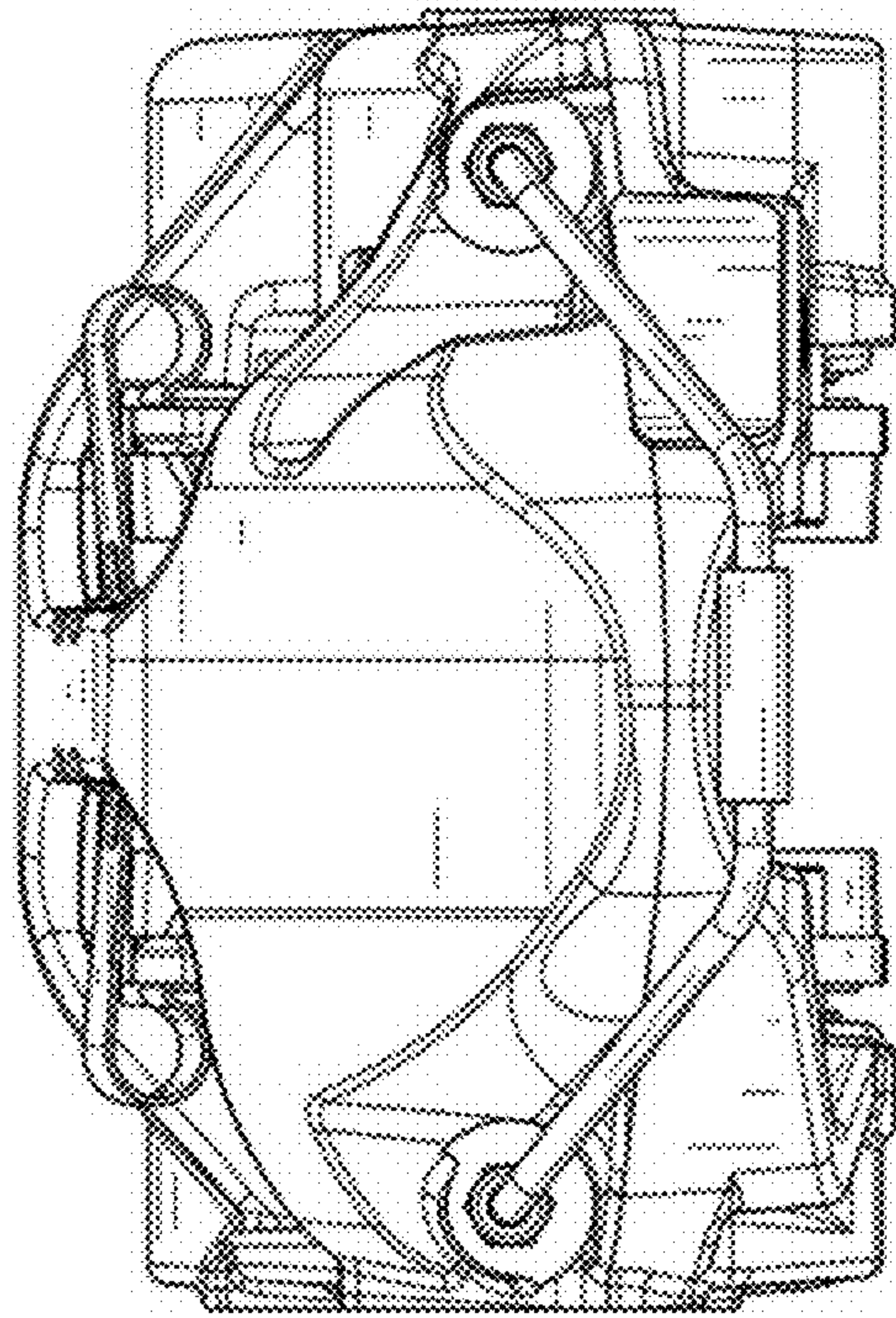
1.6



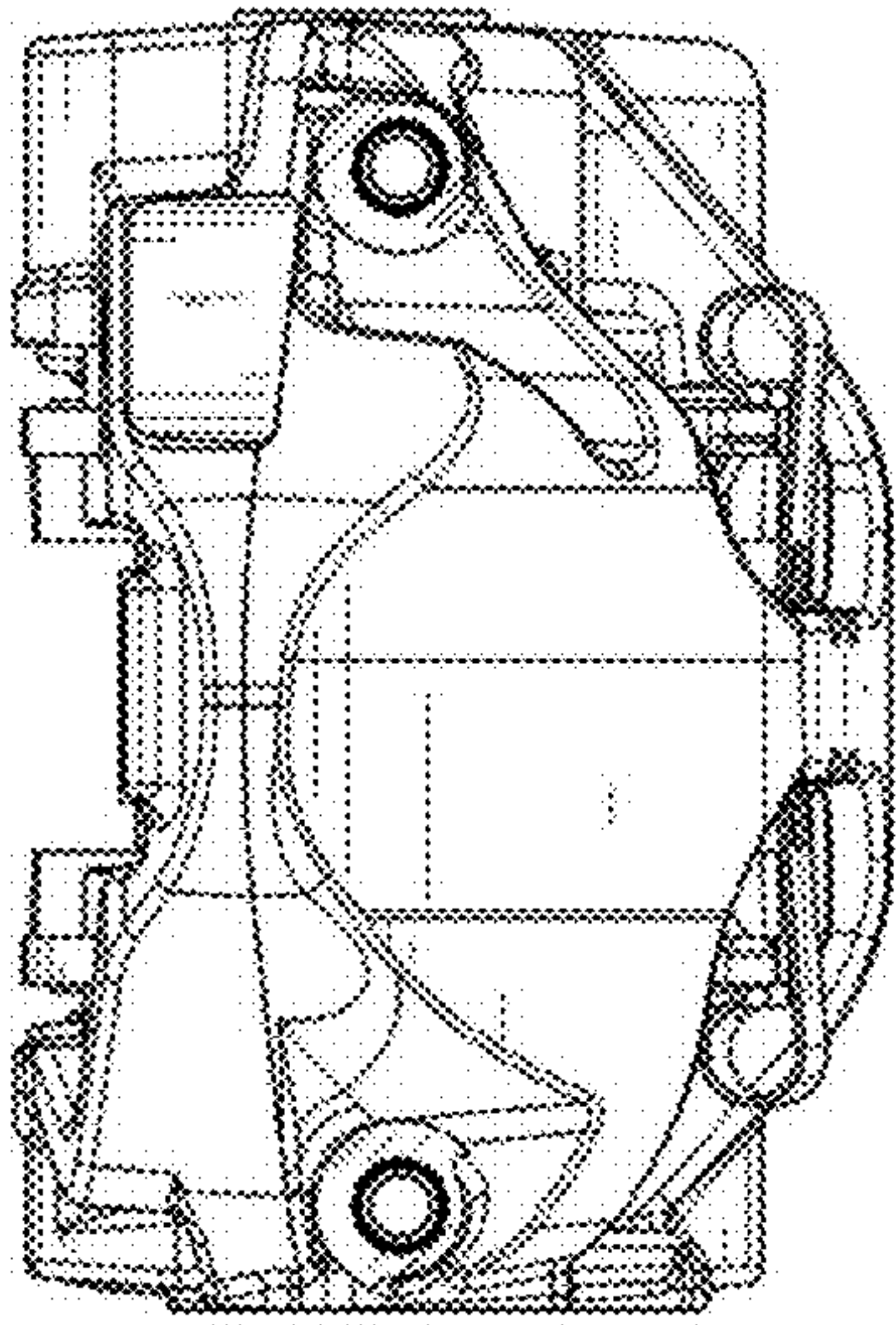
1.7



1.8



1.9



UNITED STATES PATENT AND TRADEMARK OFFICE
CERTIFICATE OF CORRECTION

PATENT NO. : D804,375 S
APPLICATION NO. : 35/501390
DATED : December 5, 2017
INVENTOR(S) : Cristian Crippa, Fabio Scotti and Andrea Teruzzi

Page 1 of 1

It is certified that error appears in the above-identified patent and that said Letters Patent is hereby corrected as shown below:

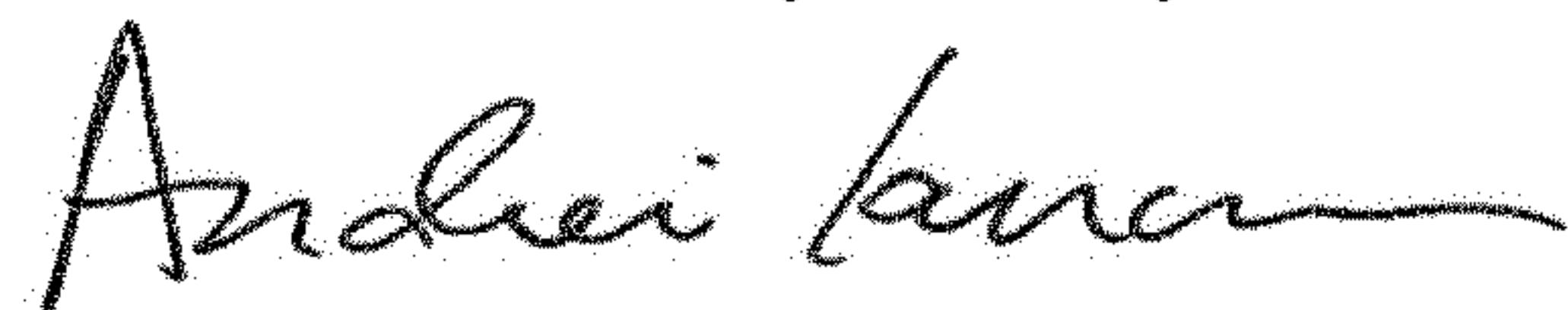
On the Title Page

Please insert after item (80), the following paragraph:

--(30) Foreign Application Priority Data

November 17, 2015 (IT) 402015000073434--

Signed and Sealed this
Fourteenth Day of May, 2019



Andrei Iancu
Director of the United States Patent and Trademark Office