

US00D804372S

(12) **United States Design Patent** (10) **Patent No.:** **US D804,372 S**  
**Kozub** (45) **Date of Patent:** **\*\* Dec. 5, 2017**

(54) **VEHICLE HOOD**  
(71) Applicant: **GM GLOBAL TECHNOLOGY OPERATIONS LLC**, Detroit, MI (US)  
(72) Inventor: **Timothy P. Kozub**, Troy, MI (US)  
(73) Assignee: **GM Global Technology Operations LLC**, Detroit, MI (US)  
(\*\*) Term: **15 Years**  
(21) Appl. No.: **29/558,953**  
(22) Filed: **Mar. 23, 2016**  
(51) **LOC (10) Cl.** ..... **12-16**  
(52) **U.S. Cl.**  
USPC ..... **D12/173**  
(58) **Field of Classification Search**  
USPC ..... D12/173, 196, 86, 90-92, 181;  
180/69.21, 69.2, 69.22; 296/190.1-190.5,  
296/190.8, 193.11, 37.6  
CPC ..... B62D 25/10; B62D 25/06; B62D 65/02;  
B62D 25/12; B60Q 1/00  
See application file for complete search history.

D604,203 S 11/2009 O'Donnell  
D605,082 S 12/2009 Munson  
D605,083 S 12/2009 Manoogian, II et al.  
D605,977 S 12/2009 Zipfel et al.  
D605,978 S 12/2009 Wolff et al.  
D608,249 S 1/2010 Peters  
D608,690 S 1/2010 Folden et al.  
D608,691 S 1/2010 Zak, Jr. et al.  
D609,608 S 2/2010 Boniface et al.  
D611,387 S 3/2010 Thompson et al.  
D611,879 S 3/2010 Kim et al.  
D612,297 S 3/2010 Peters et al.  
D613,645 S 4/2010 Song et al.  
D615,458 S 5/2010 Thompson et al.  
D618,595 S 6/2010 Ware et al.  
D623,090 S 9/2010 Cox et al.  
D627,262 S 11/2010 Ikeda et al.  
D635,488 S 4/2011 Phipps  
D644,147 S 8/2011 Suh et al.  
D644,567 S 9/2011 Kozub  
D657,718 S 4/2012 Zipfel et al.  
D659,052 S 5/2012 Ware et al.  
D659,053 S 5/2012 Ware et al.  
D668,182 S 10/2012 Barba Franco et al.

(Continued)

*Primary Examiner* — Melody N Brown  
(74) *Attorney, Agent, or Firm* — Reising Ethington P.C.

(56) **References Cited**

U.S. PATENT DOCUMENTS

D389,109 S \* 1/1998 Stollery ..... D12/173  
D464,006 S \* 10/2002 Hoyle, Jr. .... D12/173  
D497,854 S \* 11/2004 Chiang ..... D12/173  
D514,483 S \* 2/2006 Chiang ..... D12/173  
D518,761 S \* 4/2006 Chiang ..... D12/173  
D570,742 S 6/2008 Takagi et al.  
D579,832 S \* 11/2008 Opfer ..... D12/173  
D590,744 S \* 4/2009 Hammick ..... D12/173  
D592,105 S 5/2009 Dean et al.  
D597,447 S 8/2009 Folden  
D600,595 S 9/2009 Nakamura et al.  
D601,925 S 10/2009 O'Donnell  
D603,755 S 11/2009 Peters

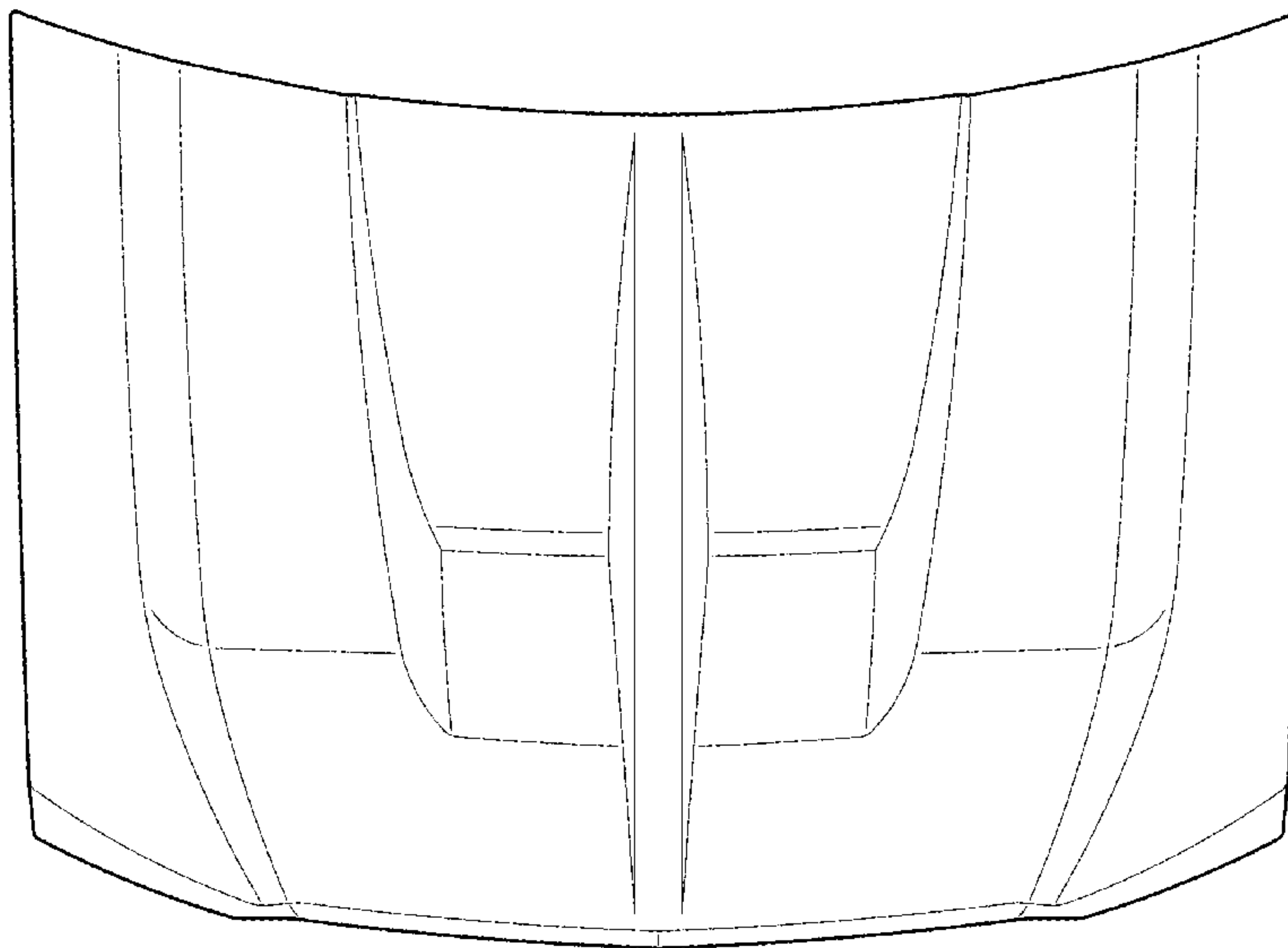
(57) **CLAIM**

The ornamental design for a vehicle hood, as shown and described.

**DESCRIPTION**

FIG. 1 is a perspective view of the vehicle hood;  
FIG. 2 is a front view thereof;  
FIG. 3 is a left side elevational view thereof, the right side is a mirror image thereof; and,  
FIG. 4 is a top plan view thereof.  
In the drawings, the portions shown by broken lines form no part of the claimed design.

**1 Claim, 3 Drawing Sheets**



(56)

References Cited

U.S. PATENT DOCUMENTS

D668,183 S	10/2012	Smart		D732,432 S	6/2015	Aengenheyster	
D678,820 S	3/2013	Song et al.		D732,433 S	6/2015	Aengenheyster	
D678,821 S	3/2013	Ikeda et al.		D732,435 S	6/2015	Mackay	
D680,909 S	4/2013	Munson et al.		D733,002 S	6/2015	Loeb	
D680,910 S	4/2013	David		D735,611 S	8/2015	Aengenheyster	
D684,899 S	6/2013	Baker		D735,627 S	8/2015	Smith	
D686,121 S *	7/2013	McCabe .....	D12/173	D736,451 S	8/2015	Smith	
D686,536 S	7/2013	McCabe et al.		D739,306 S	9/2015	McMahan et al.	
D692,798 S	11/2013	Thurber		D739,317 S	9/2015	McMahan et al.	
D692,799 S	11/2013	Smith et al.		D741,223 S	10/2015	Kim et al.	
D696,157 S	12/2013	Loeb		D743,309 S	11/2015	Thole et al.	
D699,629 S	2/2014	Ikeda et al.		D743,313 S	11/2015	Smith et al.	
D700,871 S	3/2014	O'Donnell et al.		D743,314 S	11/2015	Thole et al.	
D703,103 S	4/2014	Lee		D743,857 S	11/2015	McMahan et al.	
D704,103 S	5/2014	Mack et al.		D744,158 S	11/2015	Willett et al.	
D705,132 S	5/2014	Ware et al.		D744,391 S *	12/2015	Beaven .....	D12/173
D705,699 S	5/2014	Ware et al.		D745,086 S	12/2015	Finos et al.	
D709,002 S *	7/2014	Ito .....	D12/173	D745,719 S	12/2015	Boniface et al.	
D713,298 S	9/2014	Dyson		D745,725 S	12/2015	McMahan et al.	
D713,764 S	9/2014	Ferlazzo et al.		D745,726 S	12/2015	McMahan et al.	
D716,696 S	11/2014	Thole et al.		D745,837 S	12/2015	Smith et al.	
D716,706 S	11/2014	Thole et al.		D746,726 S	1/2016	Smith et al.	
D716,709 S	11/2014	Thole et al.		D746,727 S	1/2016	Smith et al.	
D717,696 S	11/2014	Thole et al.		D746,728 S	1/2016	Smith et al.	
D718,189 S	11/2014	Krieg et al.		D746,729 S	1/2016	Boniface et al.	
D718,683 S	12/2014	Thole et al.		D746,730 S	1/2016	Kim et al.	
D722,282 S	2/2015	Loeb		D747,514 S	1/2016	McMahan et al.	
D722,533 S	2/2015	Thole et al.		D747,515 S	1/2016	McMahan et al.	
D722,534 S	2/2015	Munson et al.		D747,819 S	1/2016	Thole et al.	
D724,510 S	3/2015	McMahan et al.		D749,021 S	2/2016	Boniface et al.	
D725,001 S	3/2015	McMahan et al.		D749,026 S	2/2016	Smith et al.	
D726,591 S	4/2015	Jacob		D749,027 S	2/2016	McMahan et al.	
D730,776 S	6/2015	Smart		D749,246 S	2/2016	Thole et al.	
D730,783 S	6/2015	Henriques et al.		D749,249 S	2/2016	Thole et al.	
D732,427 S	6/2015	Loeb		D749,250 S	2/2016	Thole et al.	
D732,429 S	6/2015	Loeb		D749,985 S	2/2016	Kozub et al.	
D732,430 S	6/2015	Loeb		D749,997 S	2/2016	McMahan et al.	
D732,431 S	6/2015	Loeb		D750,001 S	2/2016	Thole et al.	
				D775,021 S *	12/2016	Harriton .....	D12/173

\* cited by examiner

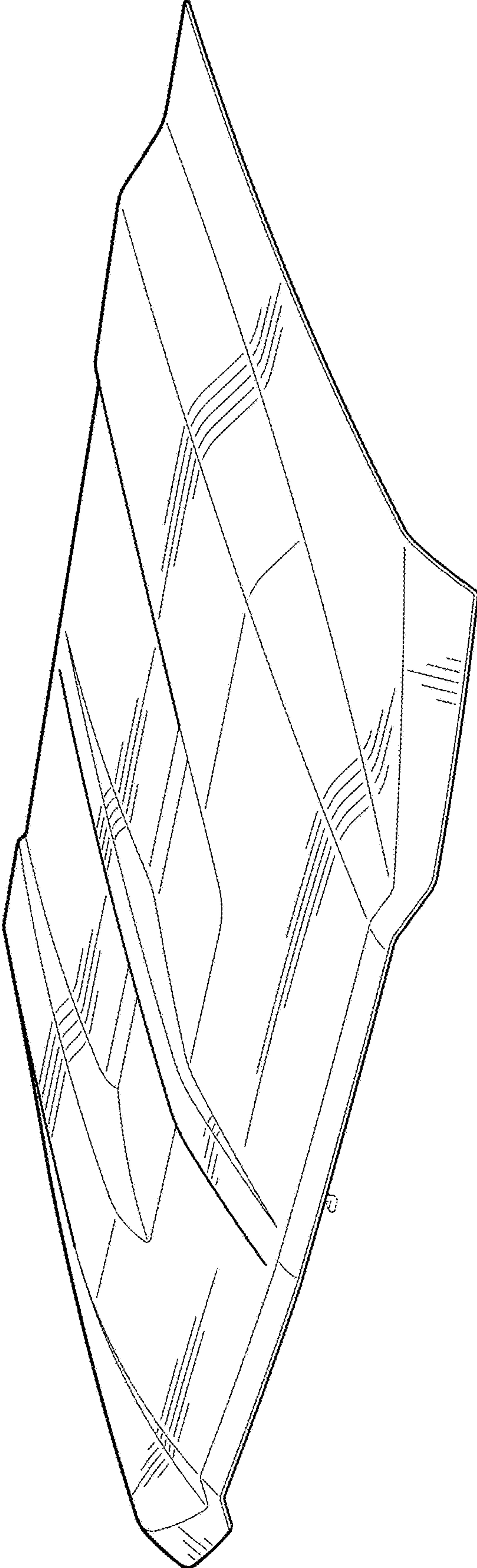


FIG. 1

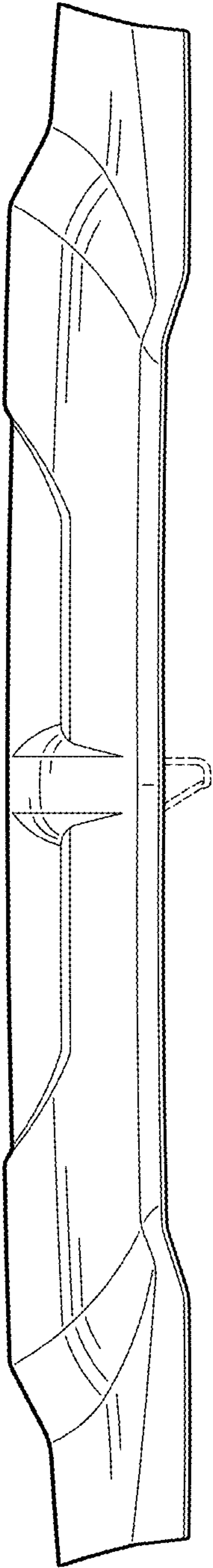


FIG. 2

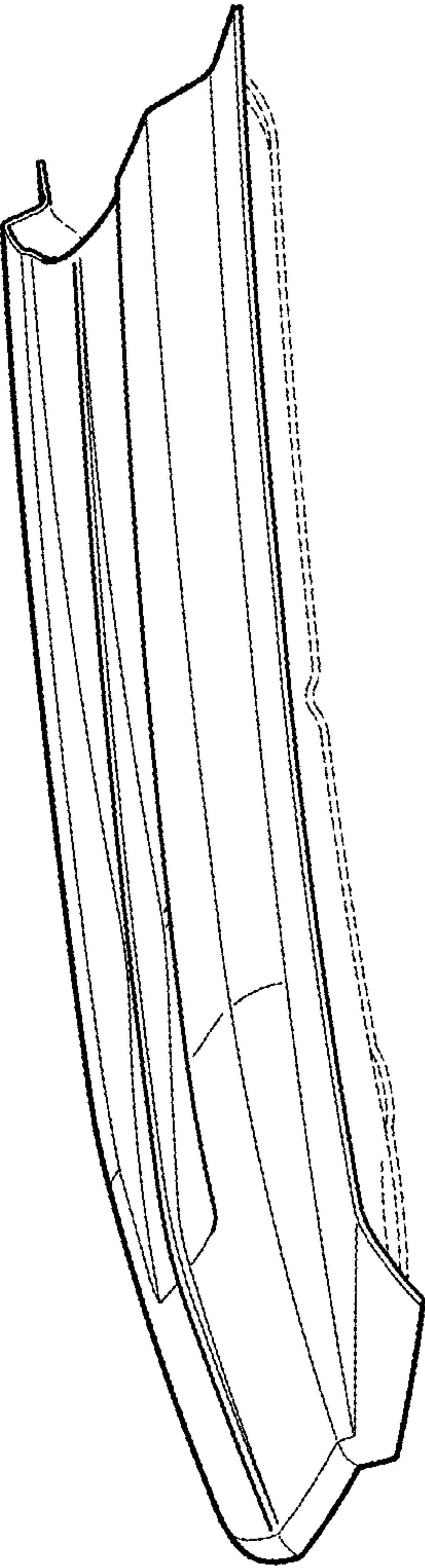


FIG. 3



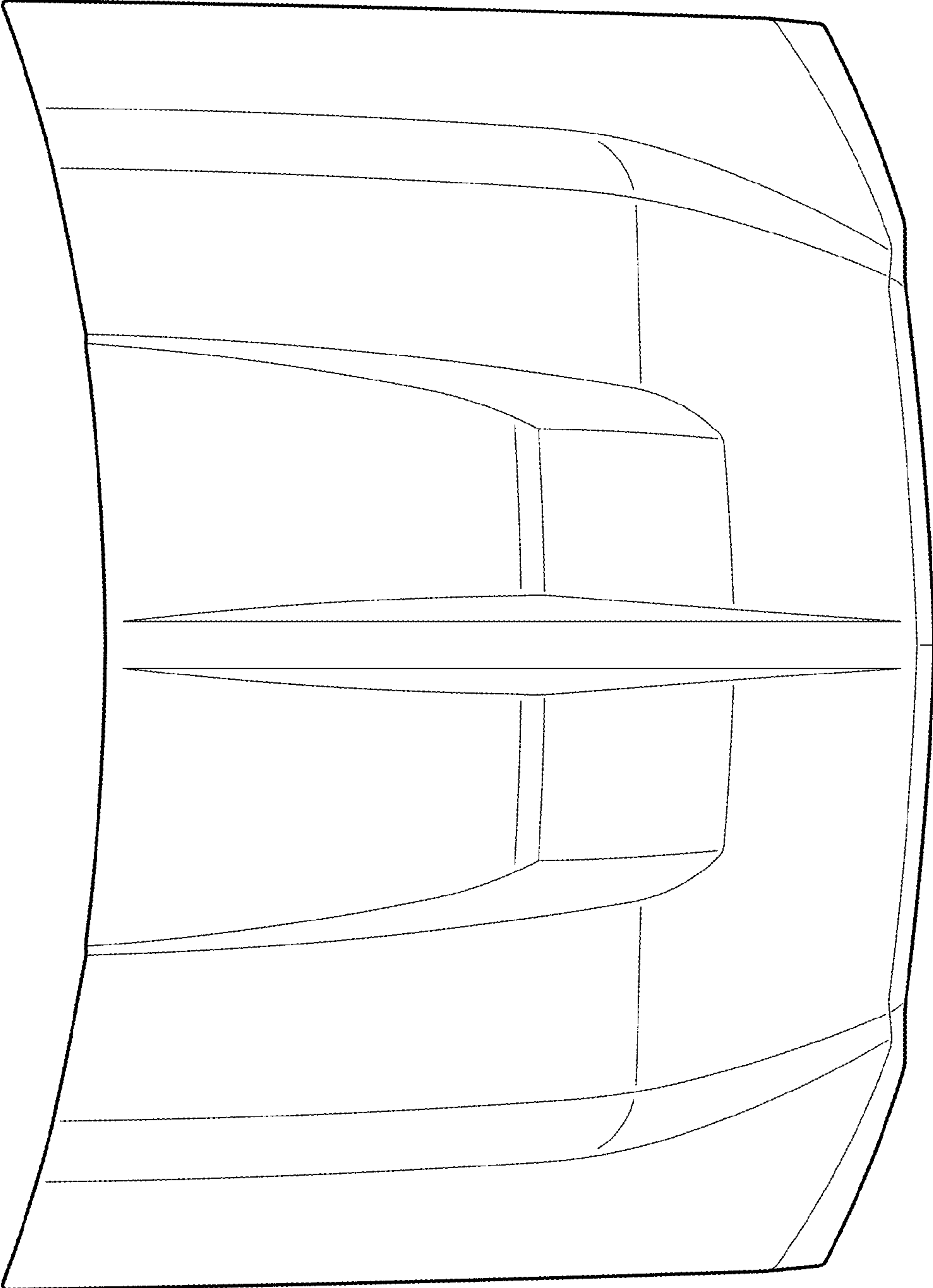


FIG. 4