



US00D804365S

(12) **United States Design Patent** (10) **Patent No.:** **US D804,365 S**
Wunderlin (45) **Date of Patent:** **** Dec. 5, 2017**

(54) **BALANCE BIKE**
(71) Applicant: **Matthias Wunderlin**, Lausen (CH)
(72) Inventor: **Matthias Wunderlin**, Lausen (CH)
(**) Term: **15 Years**

8,414,007 B2 * 4/2013 Chen B62K 9/00
280/278
D695,847 S * 12/2013 Liu D12/111
D729,700 S * 5/2015 De Roeck D12/111
D735,620 S * 8/2015 Pape D12/111
D739,308 S * 9/2015 Barnaby Latham D12/111

(Continued)

(21) Appl. No.: **29/577,286**
(22) Filed: **Sep. 12, 2016**

FOREIGN PATENT DOCUMENTS

EM 3064146-0001 4/2016
EM 3064146-0002 4/2016
EM 3064146-0003 4/2016

(Continued)

(30) **Foreign Application Priority Data**

Apr. 11, 2016 (EM) 003064146-0003

(51) **LOC (10) Cl.** **12-11**

(52) **U.S. Cl.**
USPC **D12/111; D21/432**

(58) **Field of Classification Search**
USPC D12/111, 117; D21/412, 414, 419,
D21/423-428, 431-435
CPC B62K 3/00; B62K 3/02; B62K 3/06
See application file for complete search history.

OTHER PUBLICATIONS

U.S. Appl. No. 29/542,136, Wunderlin.
U.S. Appl. No. 15/046,517, Wunderlin.

Primary Examiner — Darlington Ly
(74) *Attorney, Agent, or Firm* — Mitchell Law PLLC;
Matthew W. Mitchell

(56) **References Cited**

U.S. PATENT DOCUMENTS

D330,354 S * 10/1992 Ogden D12/111
D504,845 S * 5/2005 Coerschulte D12/111
D512,664 S * 12/2005 Schreier D12/111
D537,758 S * 3/2007 Grepper D12/111
D561,649 S * 2/2008 Latham D12/111
D567,149 S * 4/2008 Grepper D12/111
D597,147 S * 7/2009 Verlinden D21/424
D629,049 S * 12/2010 McFarland B62K 3/10
D12/111
D659,597 S * 5/2012 Chen D12/111
8,191,931 B1 * 6/2012 Mulder B62K 9/00
280/828
D668,586 S * 10/2012 Golias D12/111
8,286,974 B2 * 10/2012 Chen B62K 9/00
280/1.188
D671,173 S * 11/2012 Tompkin D12/111

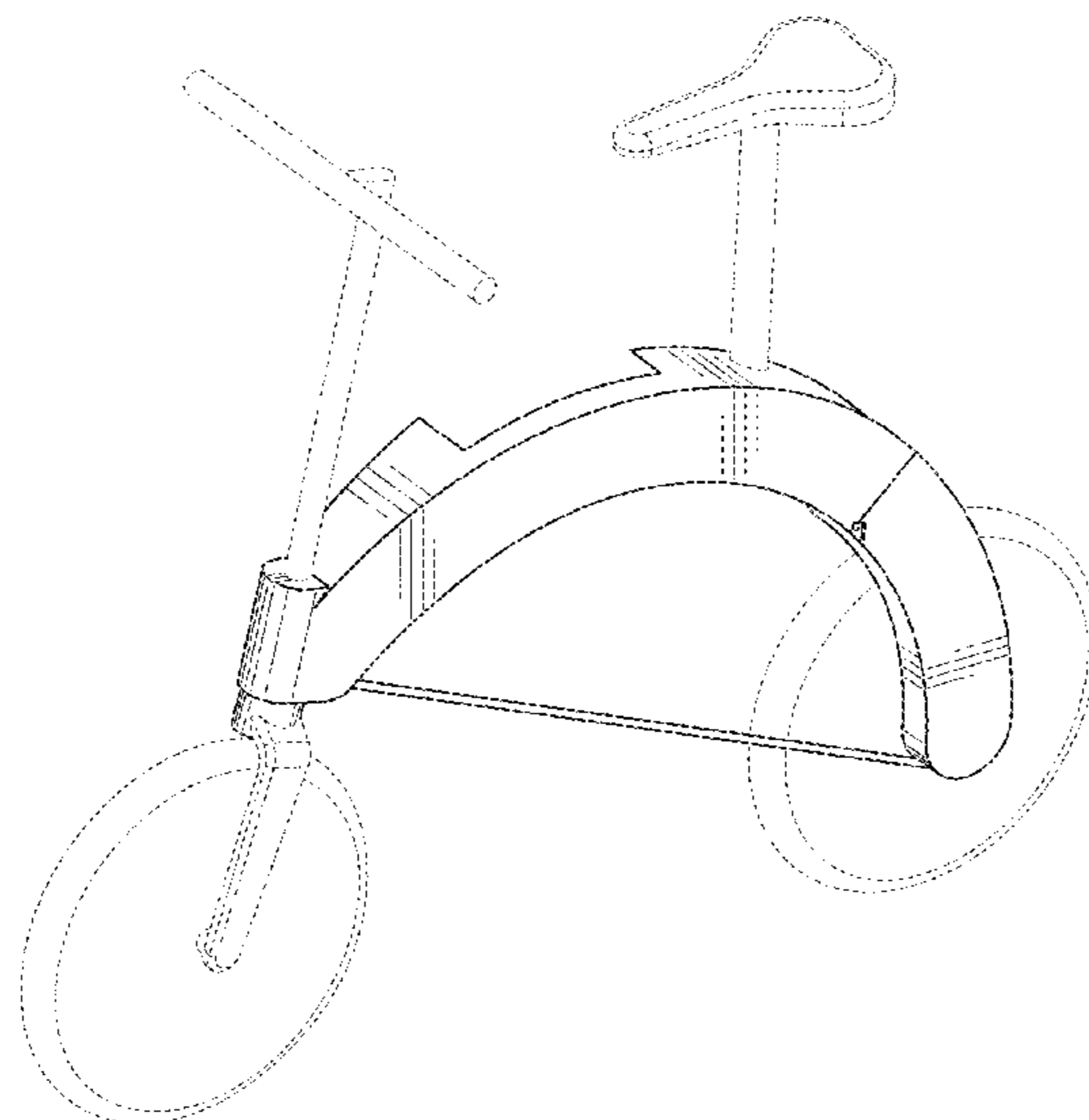
(57) **CLAIM**

The ornamental design for a balance bike, as shown and described.

DESCRIPTION

FIG. 1 is a top, front, and left-side perspective view of the balance bike showing my new design;
FIG. 2 is a bottom, front, and right-side perspective view thereof;
FIG. 3 is a left-side elevation view thereof;
FIG. 4 is a right-side elevation view thereof;
FIG. 5 is a front elevation view thereof;
FIG. 6 is a rear elevation view thereof;
FIG. 7 is a top plan view thereof; and,
FIG. 8 is a bottom plan view thereof.
The broken lines in the drawings illustrate portions of the balance bike that forms no part of the claimed design.

1 Claim, 7 Drawing Sheets



(56)

References Cited

U.S. PATENT DOCUMENTS

D781,753 S * 3/2017 Wunderlin D12/111

FOREIGN PATENT DOCUMENTS

EM	3064146-0004	4/2016
EM	3064146-0005	4/2016
EM	3064146-0006	4/2016

* cited by examiner

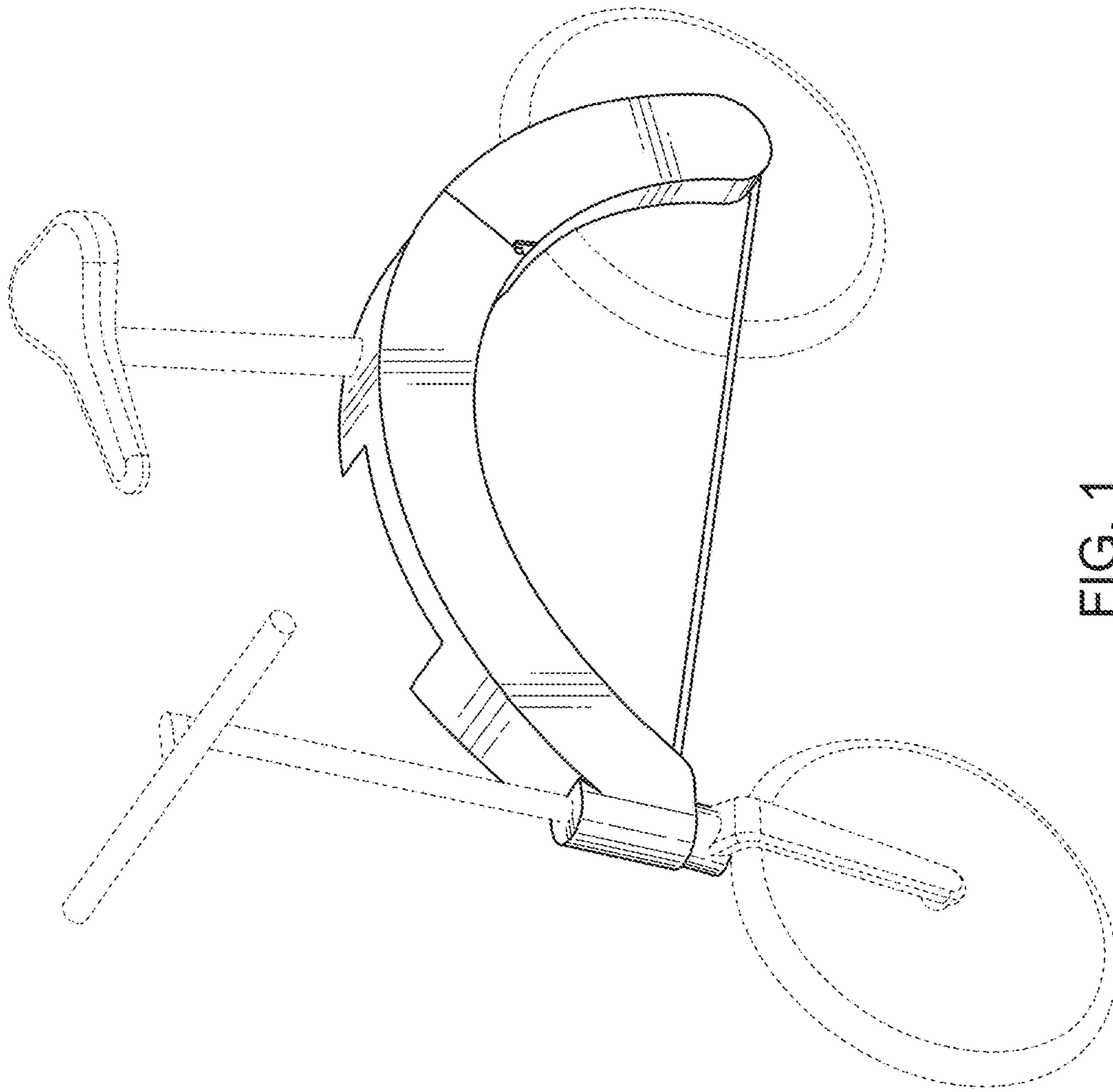


FIG. 1

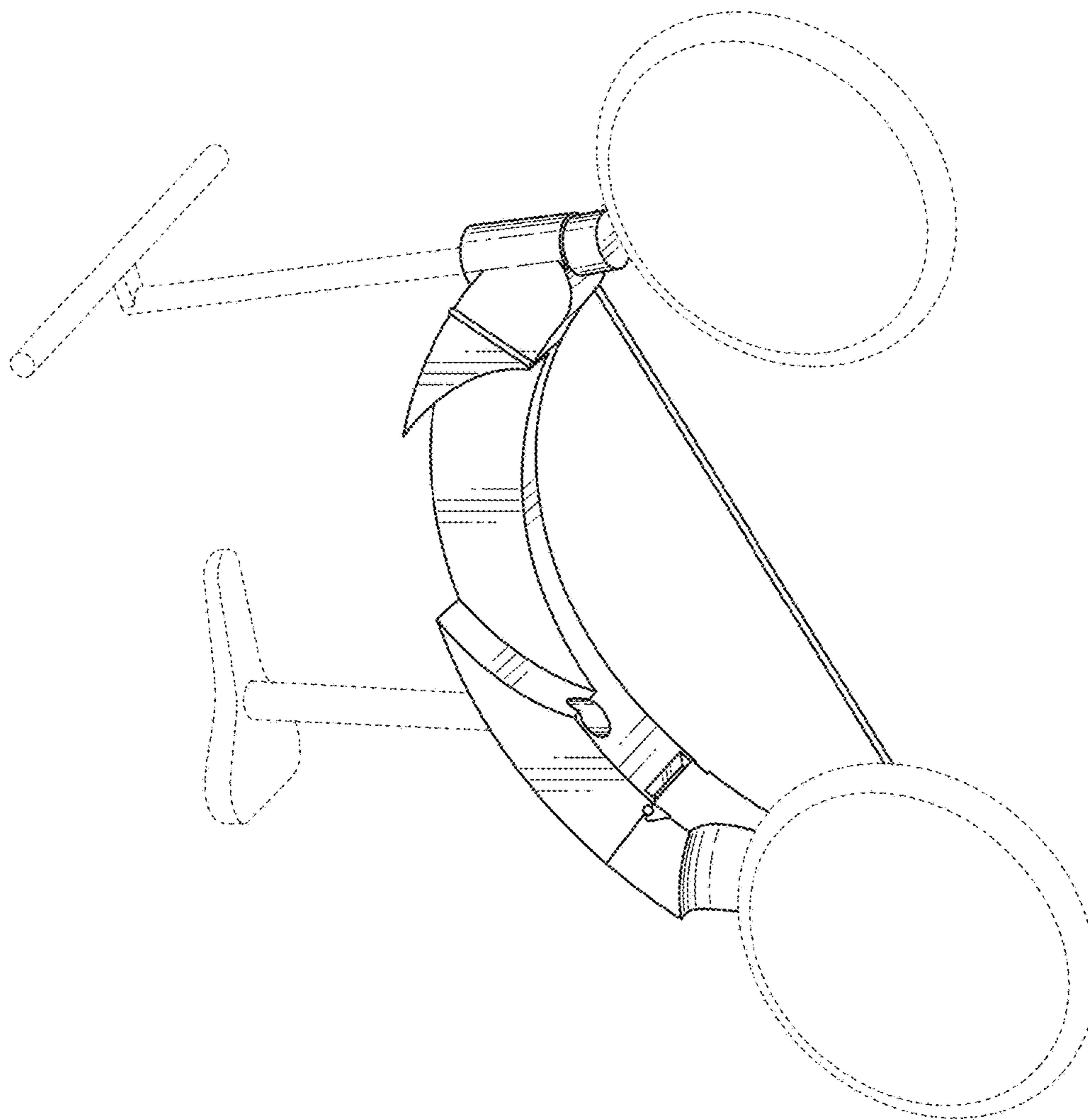


FIG. 2

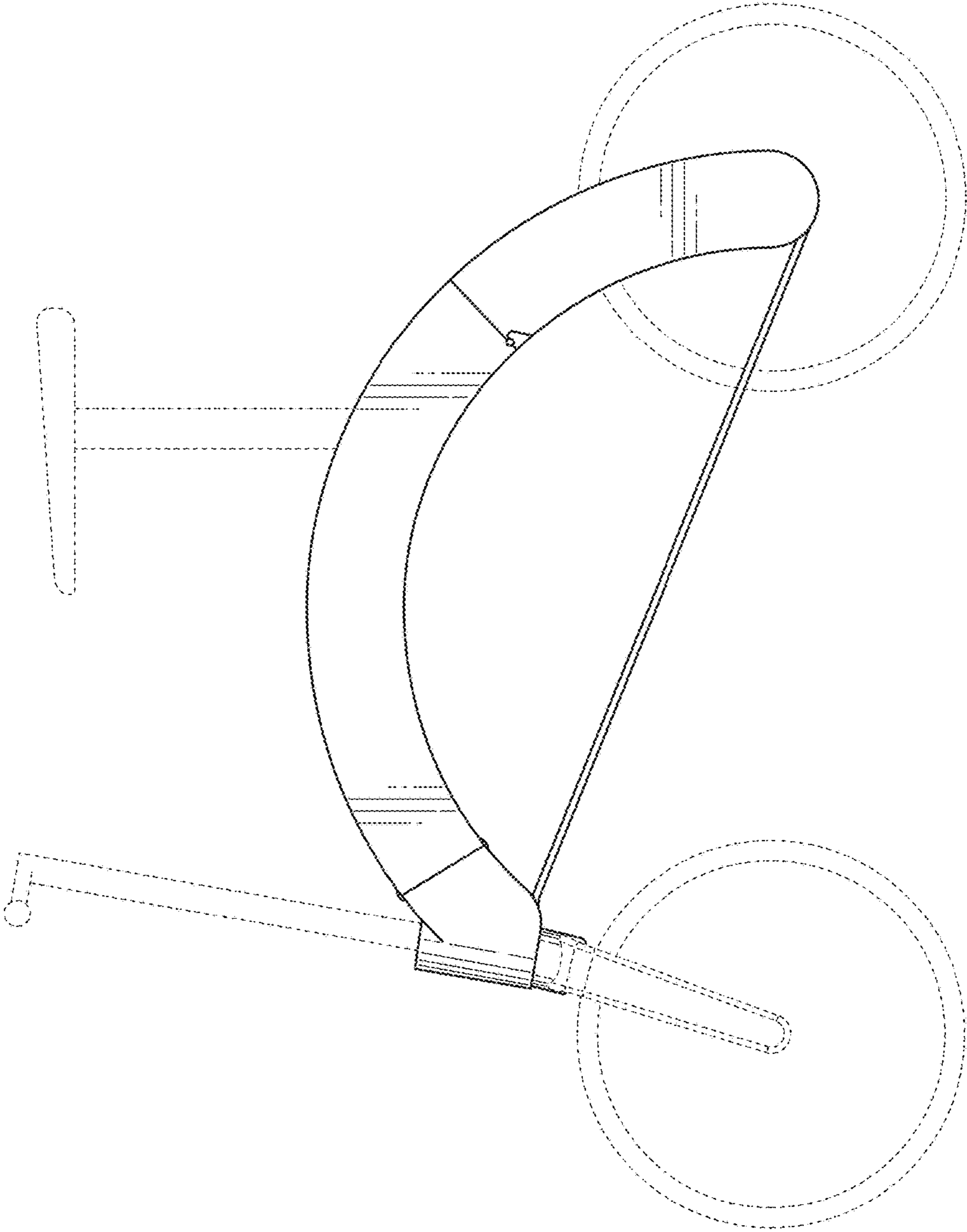


FIG. 3

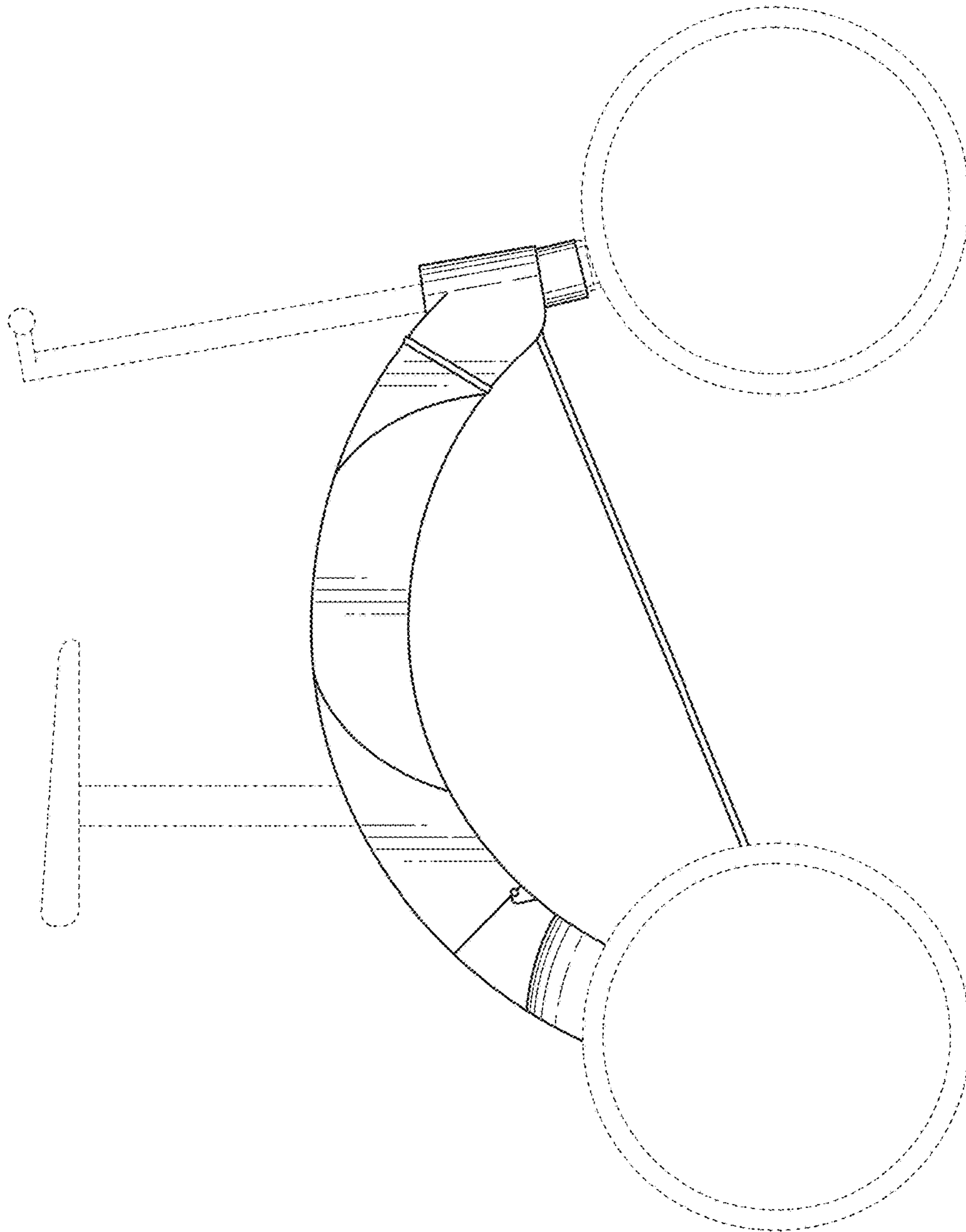


FIG. 4

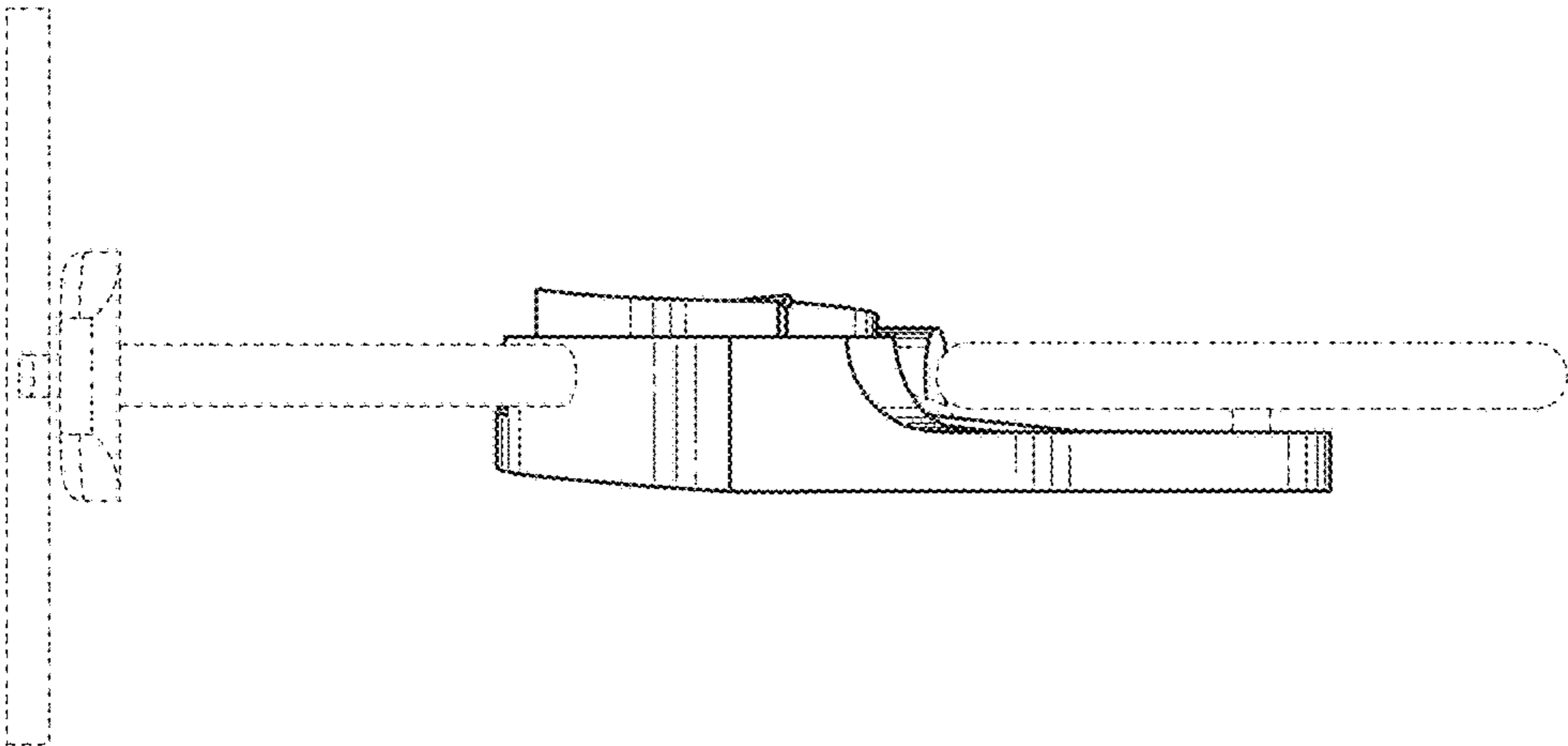


FIG. 6

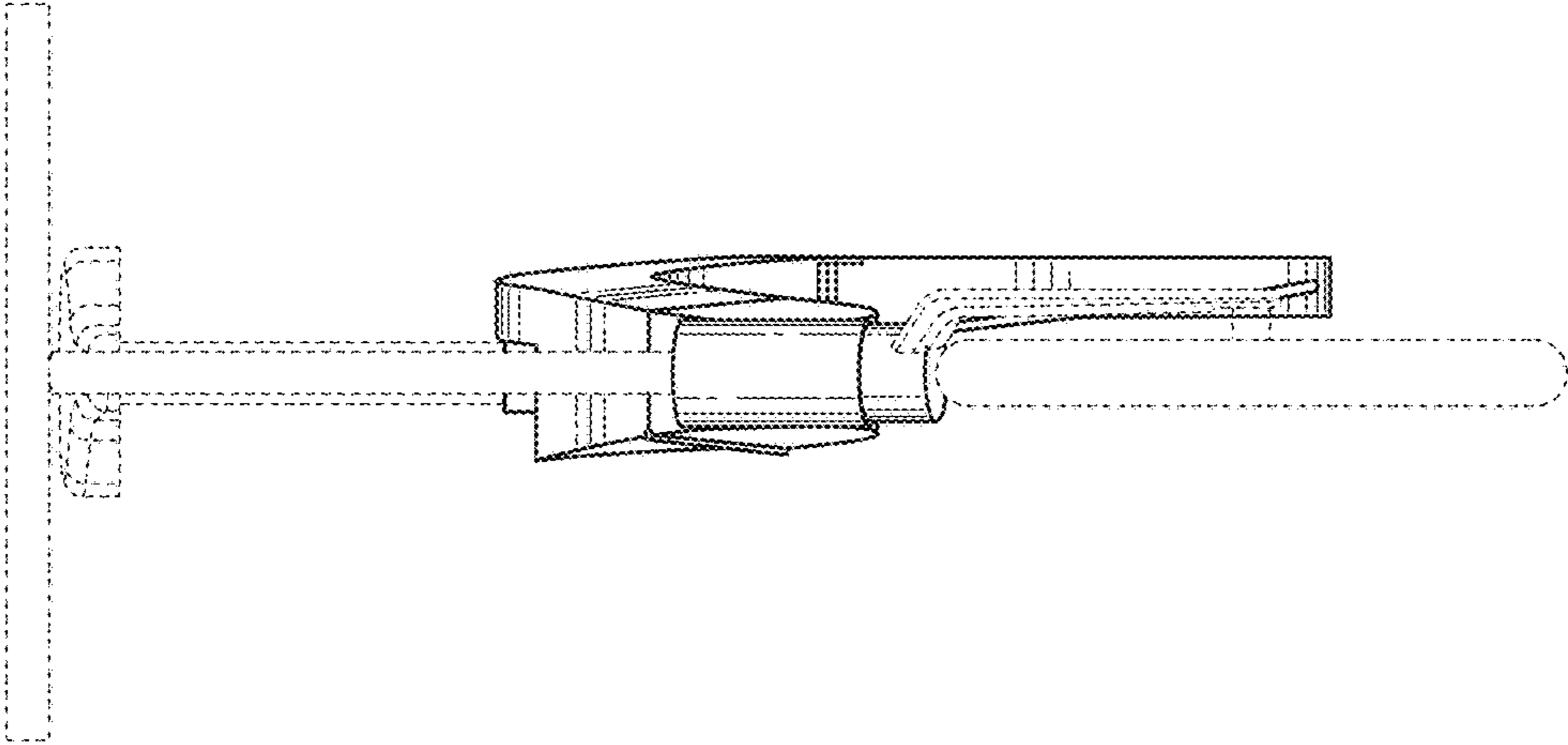


FIG. 5

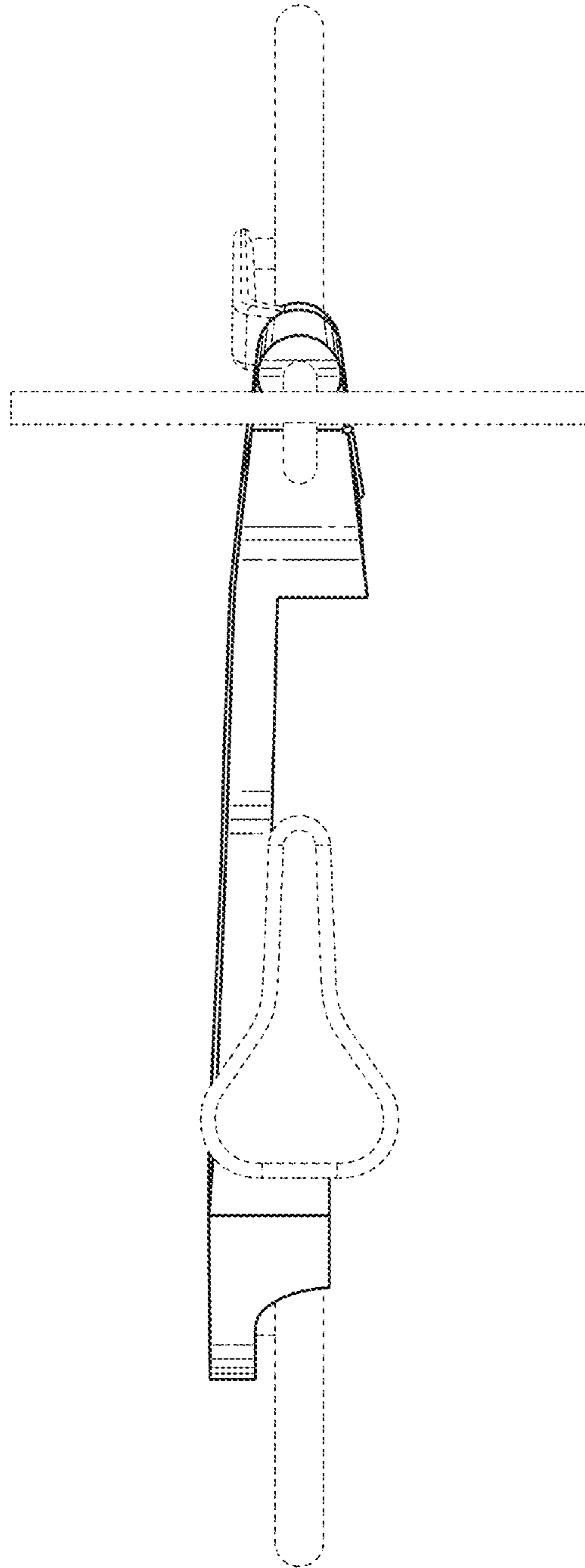


FIG. 7

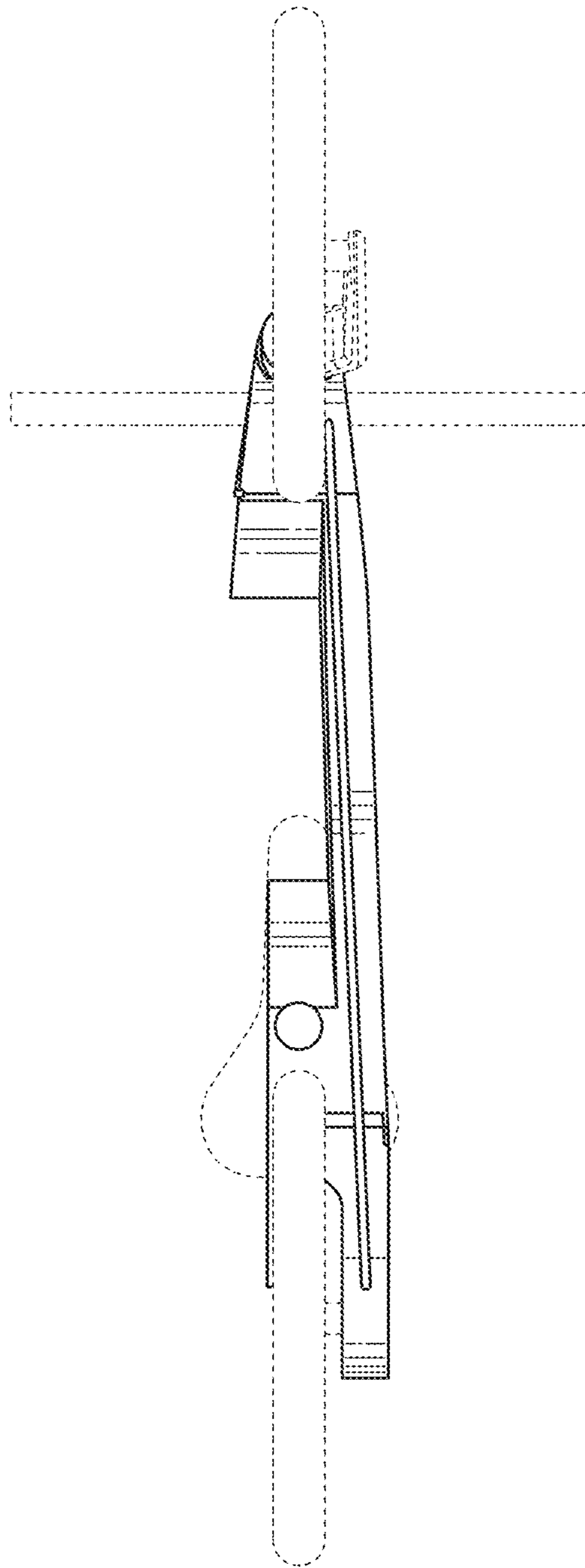


FIG. 8