



US00D804353S

(12) **United States Design Patent**
Tsuji

(10) **Patent No.:** **US D804,353 S**

(45) **Date of Patent:** **** Dec. 5, 2017**

(54) **AUTOMOBILE AND/OR REPLICA THEREOF**

(71) Applicant: **Honda Motor Co., Ltd.**, Tokyo (JP)

(72) Inventor: **Ayumu Tsuji**, Wako (JP)

(73) Assignee: **HONDA MOTOR CO., LTD.**, Tokyo (JP)

(**) Term: **15 Years**

(21) Appl. No.: **29/562,467**

(22) Filed: **Apr. 26, 2016**

(30) **Foreign Application Priority Data**

Oct. 26, 2015 (JP) 2015-023766

(51) **LOC (10) Cl.** **12-08**

(52) **U.S. Cl.**
USPC **D12/86**

(58) **Field of Classification Search**
USPC D12/86, 90-92, 88; D21/421, 433, 434;
296/181.1, 181.5
CPC B62D 35/00; B62D 25/00; B62D 25/06;
B62D 33/00
See application file for complete search history.

(56) **References Cited**

U.S. PATENT DOCUMENTS

D422,941 S * 4/2000 Sigurosson D12/91
D495,275 S * 8/2004 Castiglione D12/86

D548,646 S * 8/2007 Green, Jr. D12/12
D579,824 S * 11/2008 Pandey D12/12
D762,143 S * 7/2016 Tu D12/86
D763,735 S * 8/2016 Tu D12/86
D772,757 S * 11/2016 Tu D12/86

* cited by examiner

Primary Examiner — Melody N Brown

(74) *Attorney, Agent, or Firm* — Westerman, Hattori,
Daniels & Adrian, LLP

(57) **CLAIM**

The ornamental design for an automobile and/or replica thereof, as shown and described.

DESCRIPTION

FIG. 1 is a front and left side perspective view of a vehicle showing my new design;
FIG. 2 is a rear and right side perspective view thereof;
FIG. 3 is a front and right side perspective view thereof;
FIG. 4 is a rear and left side perspective view thereof;
FIG. 5 is a front view thereof;
FIG. 6 is a rear view thereof;
FIG. 7 is a top plan view thereof;
FIG. 8 is a right side view thereof; and,
FIG. 9 is a left side view thereof.
The broken lines in the drawings illustrate portions of the automobile and/or replica thereof that forms no part of the claimed design.

1 Claim, 9 Drawing Sheets

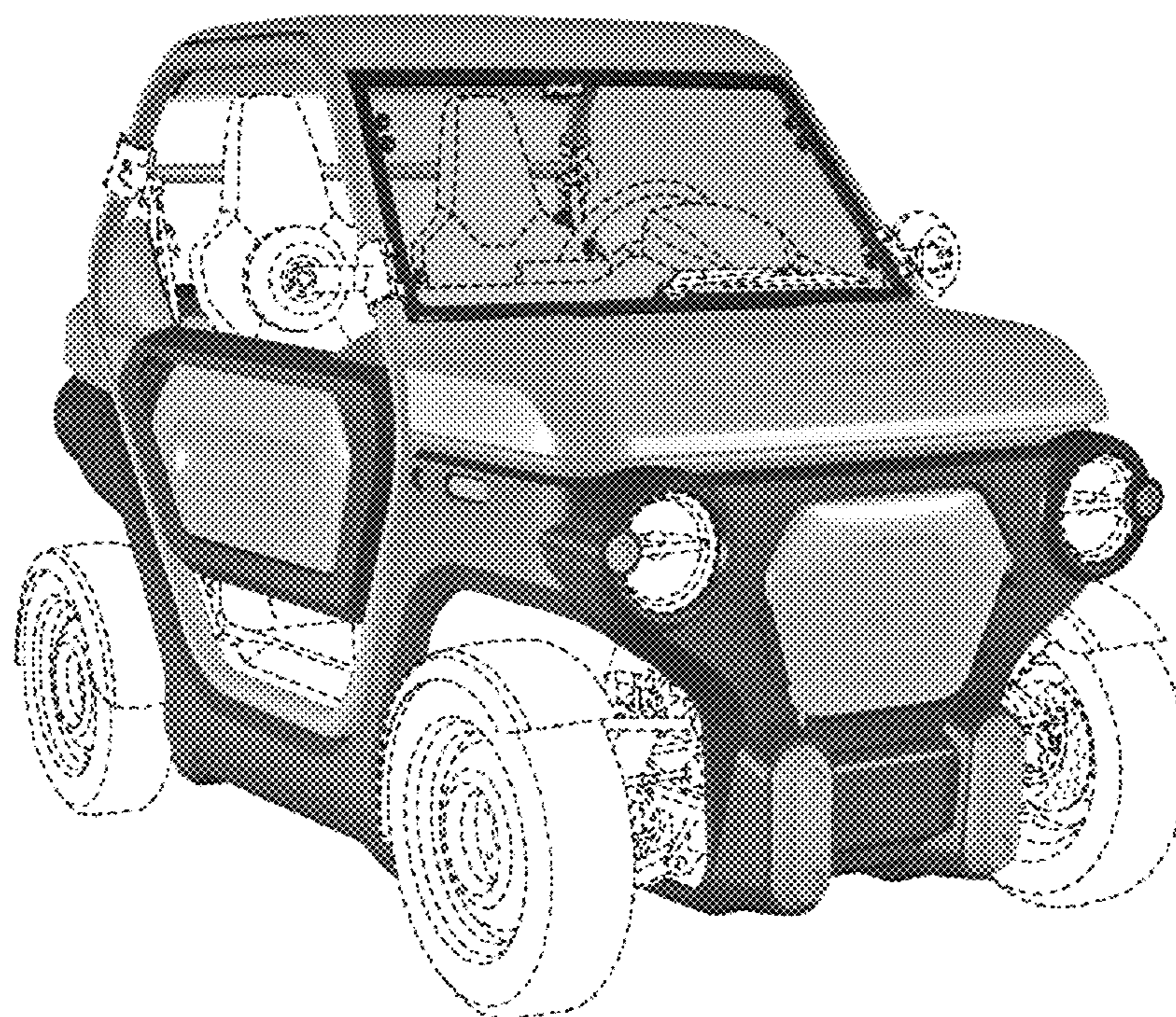


FIG. 1

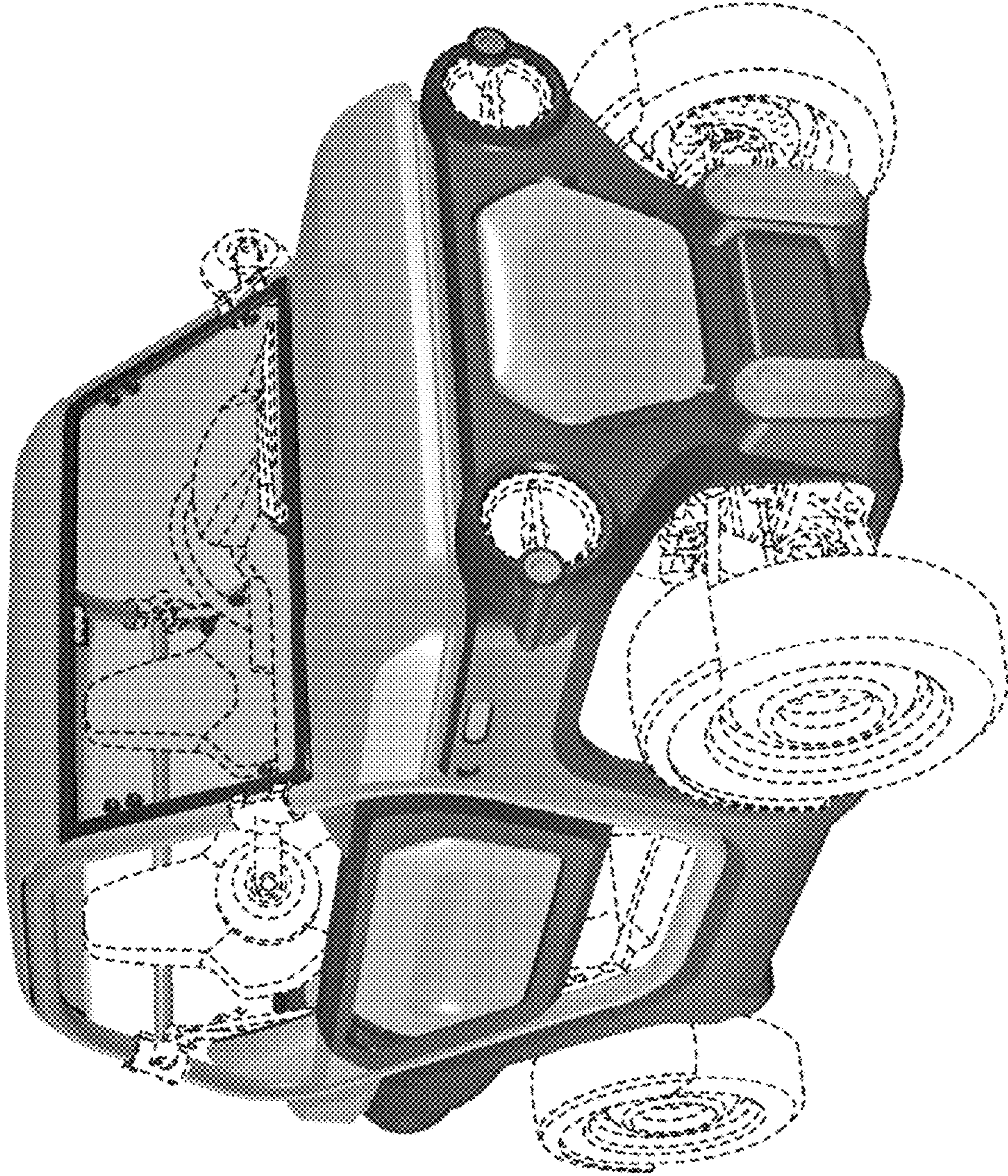
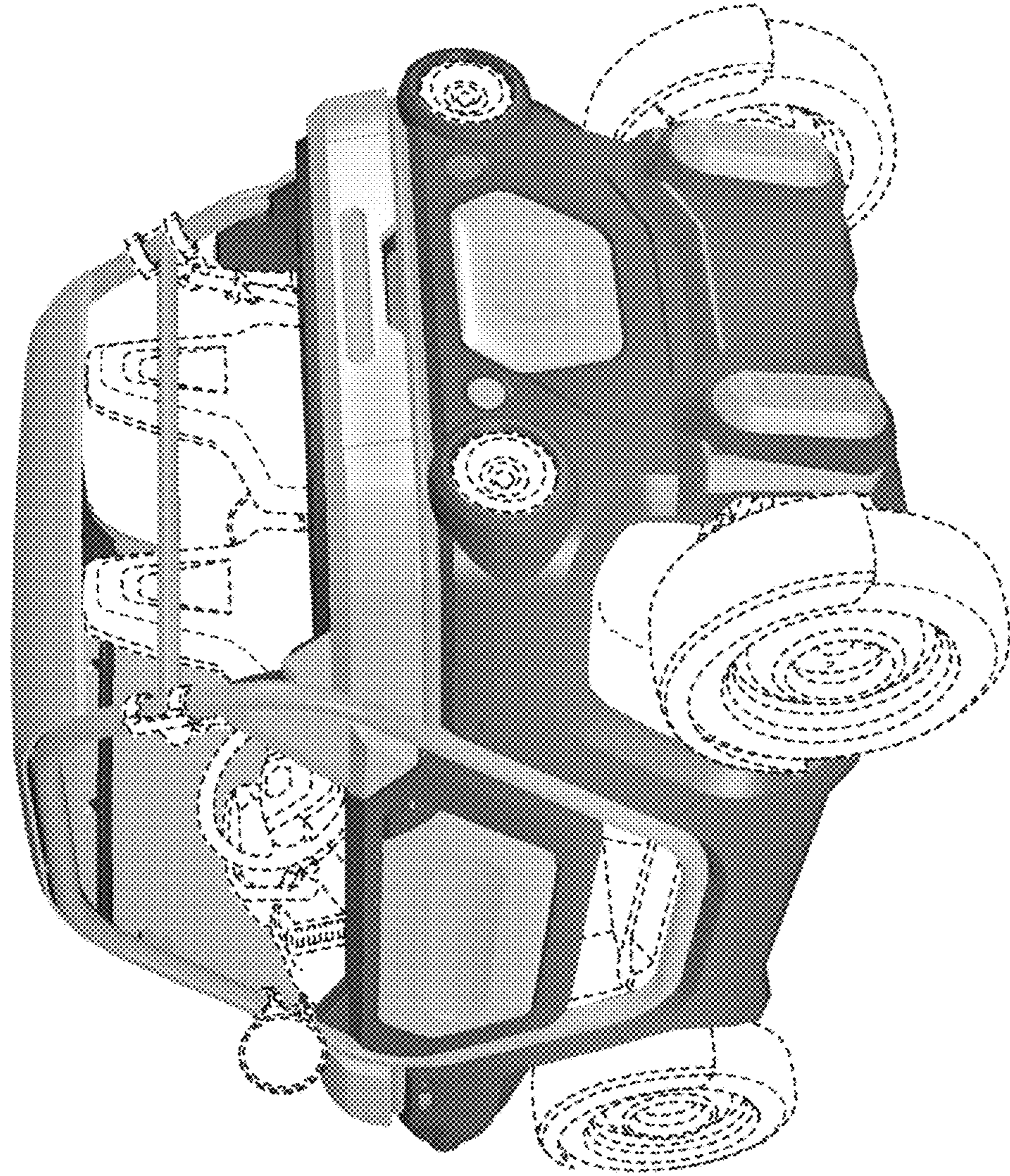


FIG. 2



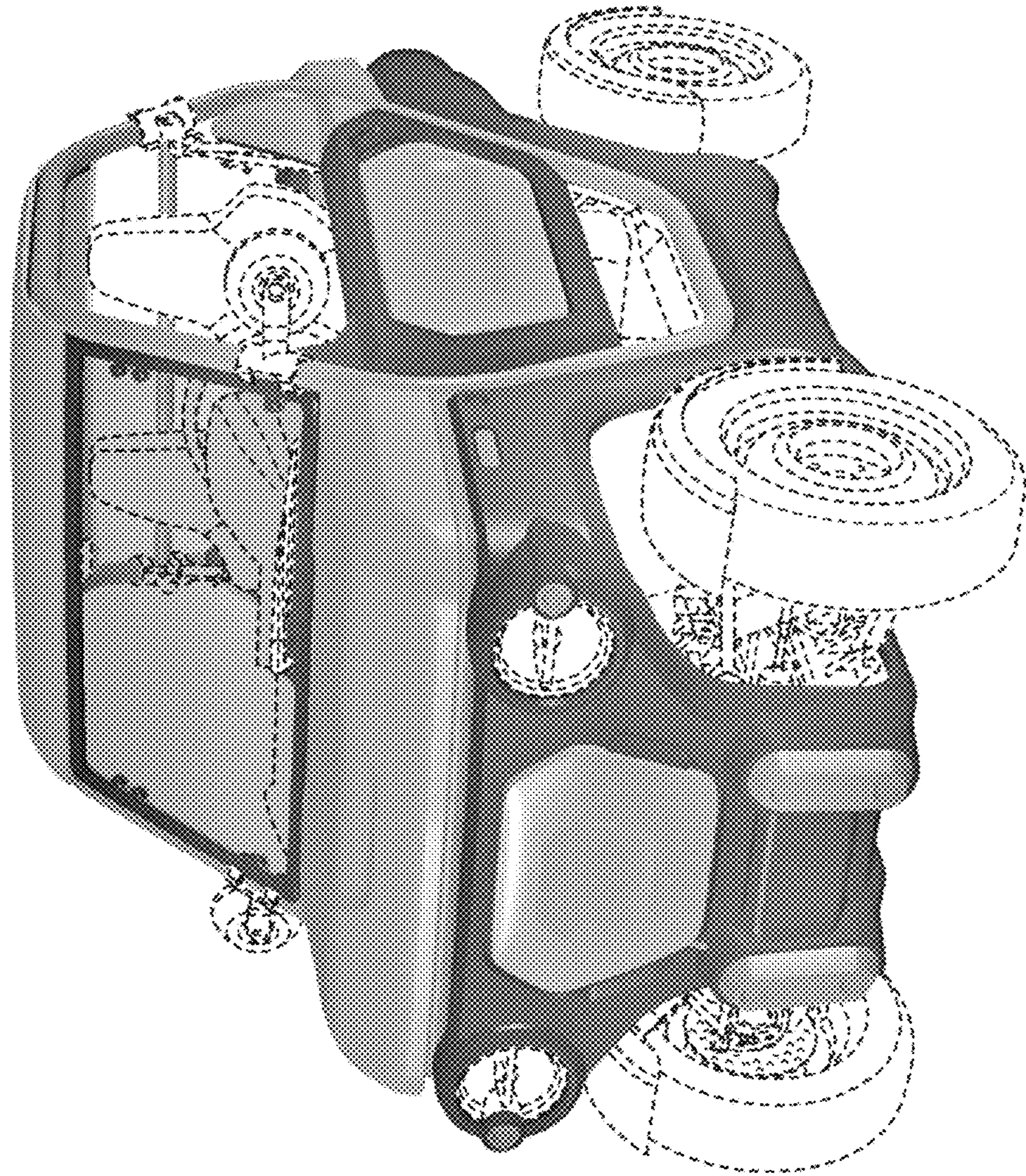
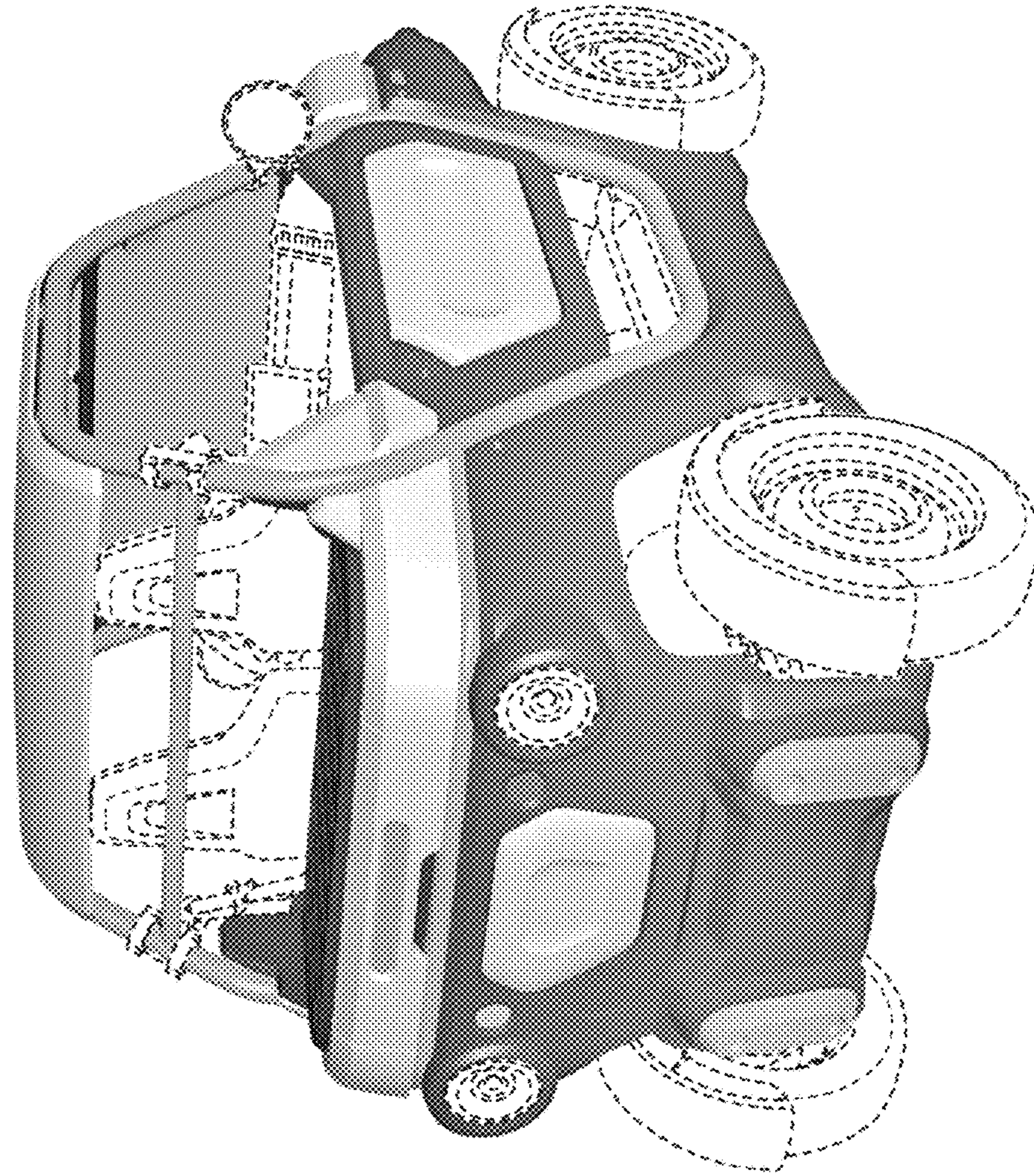


FIG. 3

FIG. 4



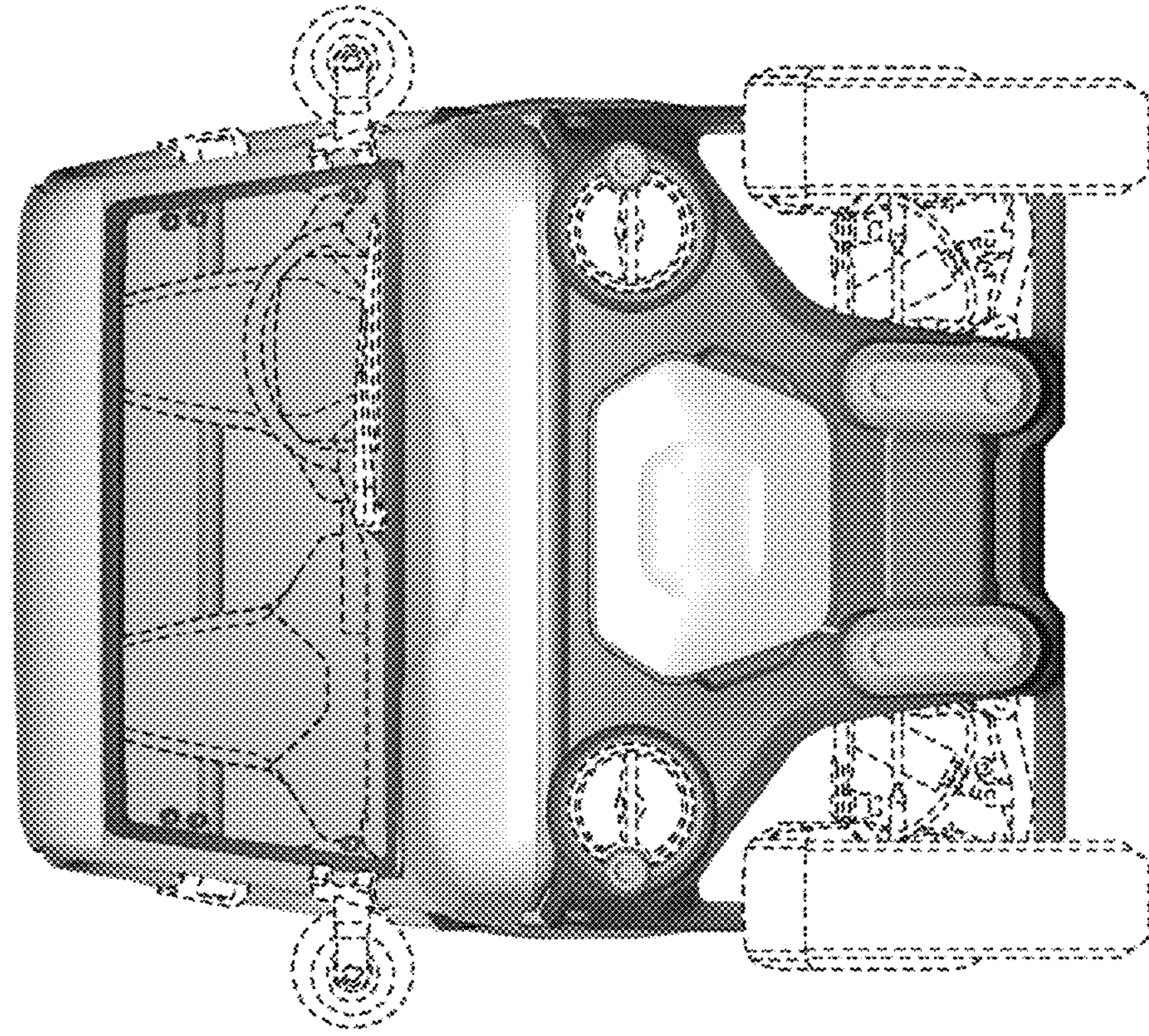


FIG. 5

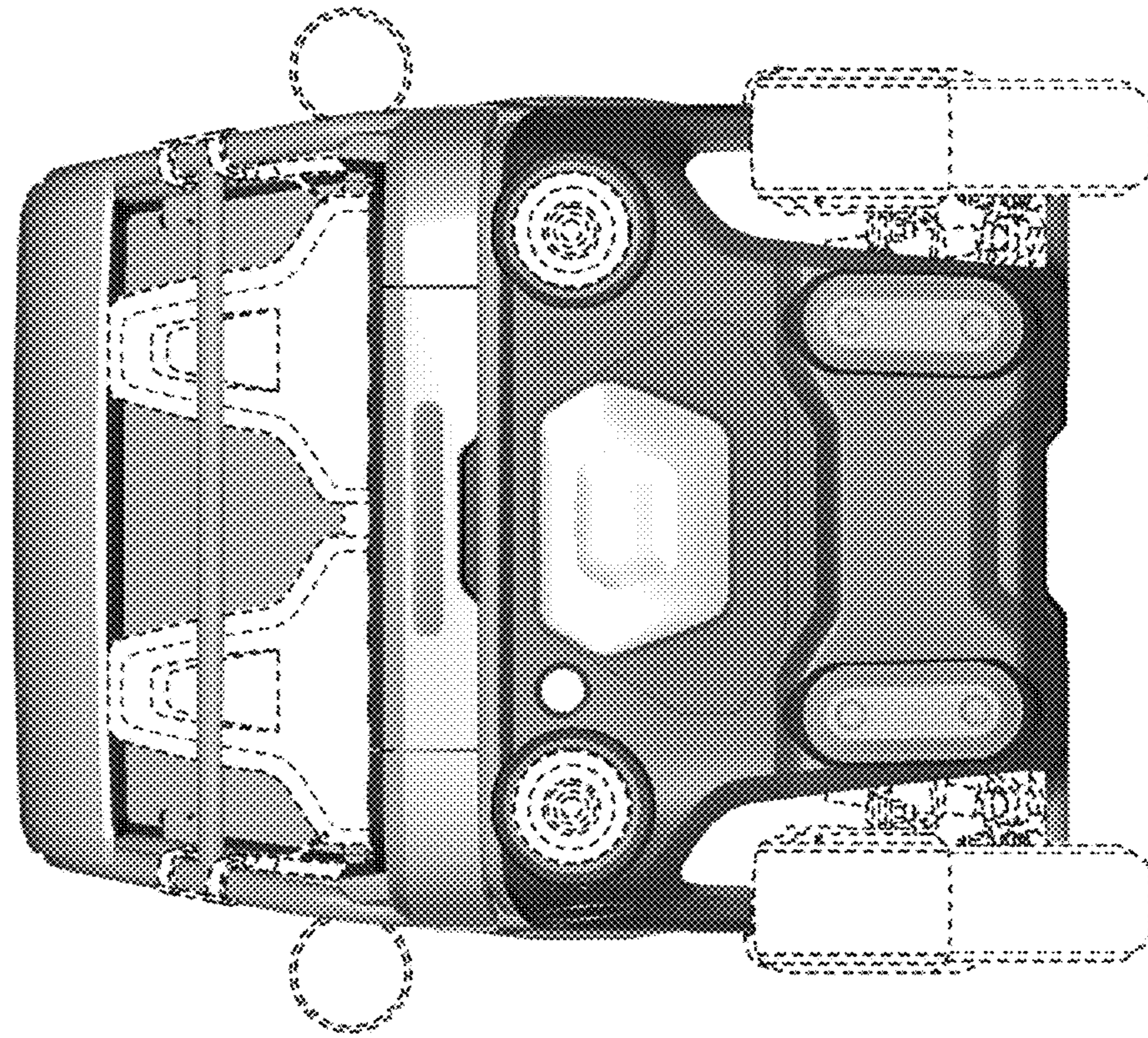


FIG. 6

FIG. 7

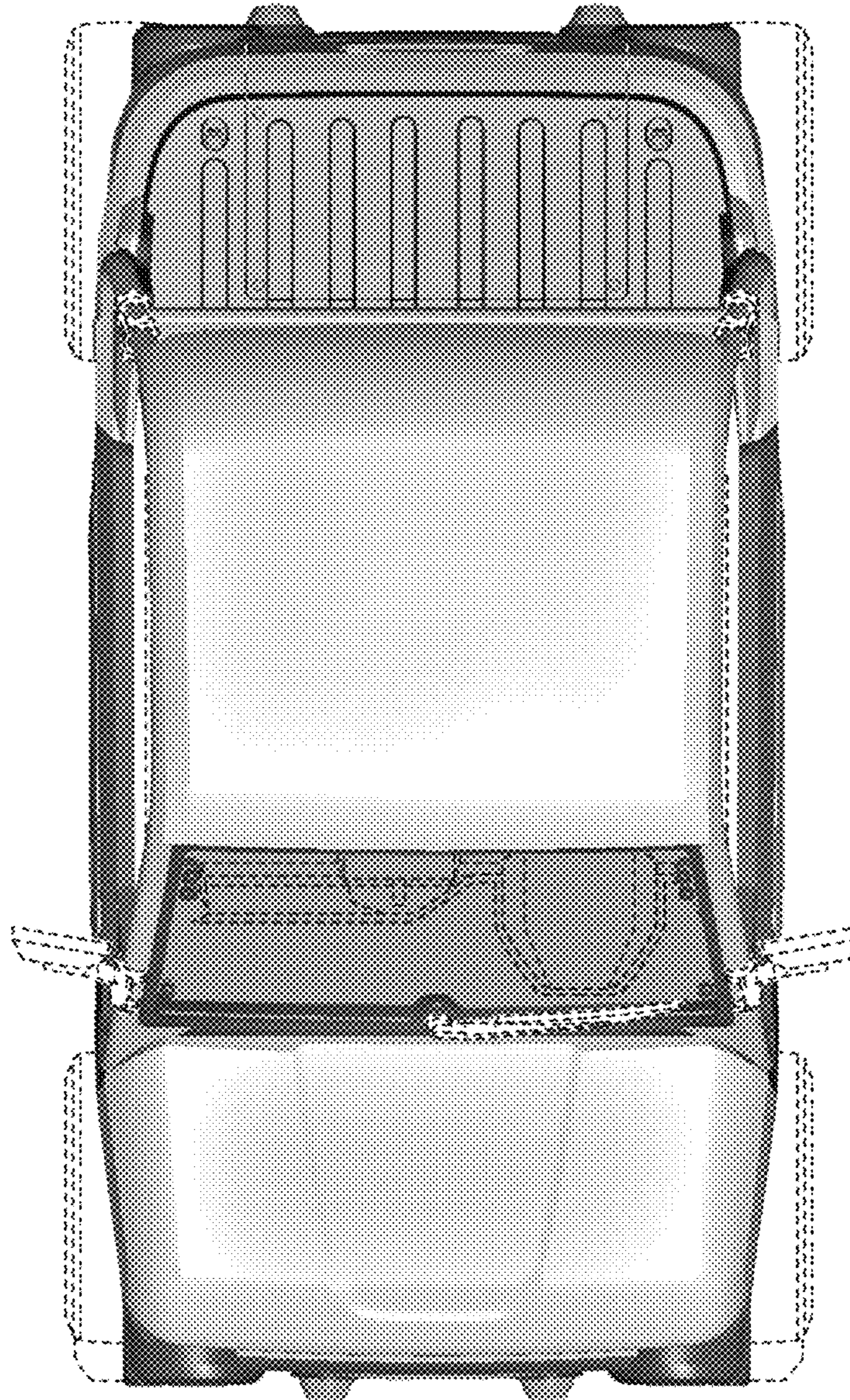


FIG. 8

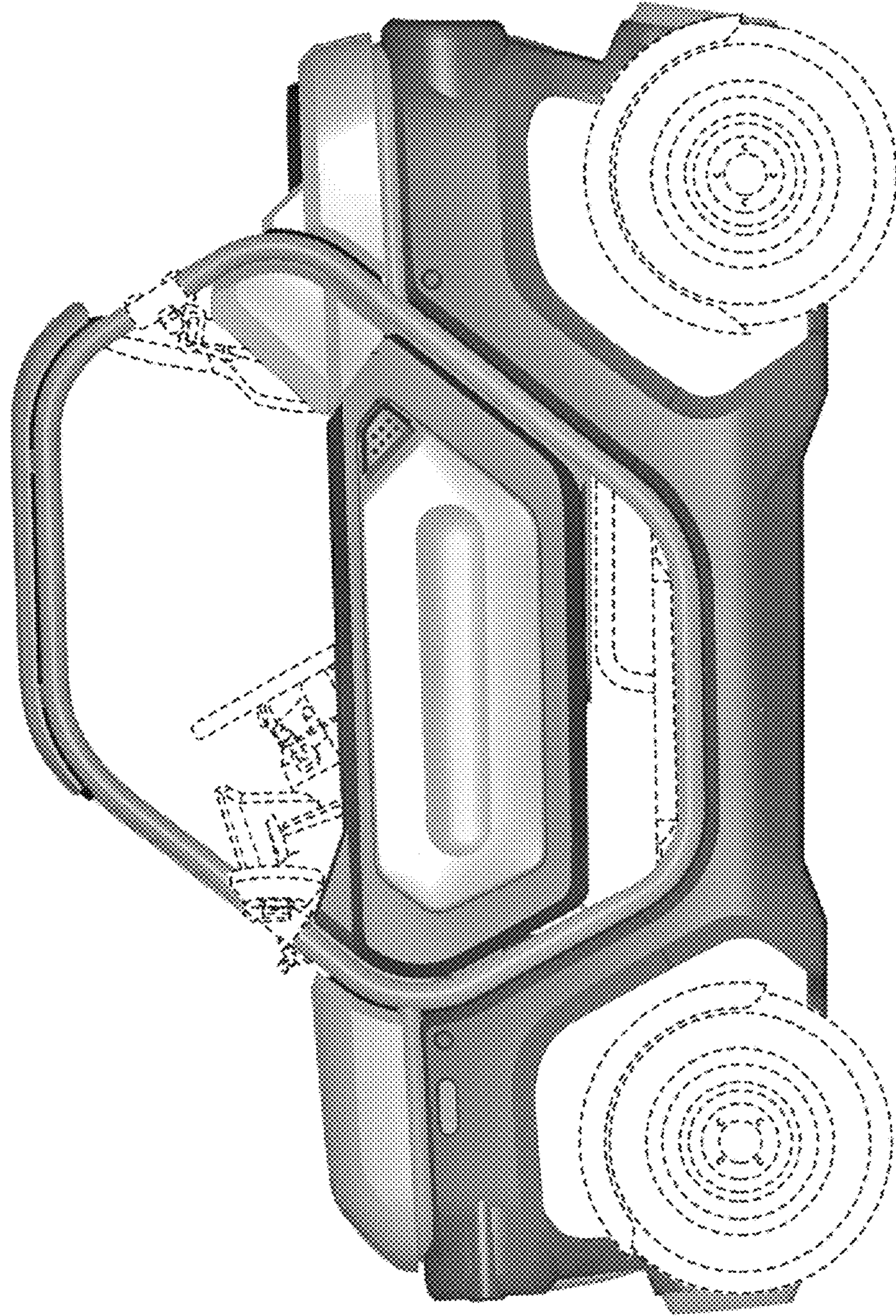


FIG. 9

