



US00D804349S

(12) **United States Design Patent** (10) **Patent No.:** **US D804,349 S**
Slimane (45) **Date of Patent:** **** Dec. 5, 2017**

(54) **RING**
(71) Applicant: **YVES SAINT LAURENT**, Paris (FR)
(72) Inventor: **Hedi Slimane**, West Hollywood, CA (US)
(73) Assignee: **YVES SAINT LAURENT**, Paris (FR)
(**) Term: **15 Years**

(21) Appl. No.: **29/555,883**
(22) Filed: **Feb. 25, 2016**
(51) **LOC (10) Cl.** **11-01**
(52) **U.S. Cl.**
USPC **D11/39**
(58) **Field of Classification Search**
USPC D11/1, 2, 26-39, 40-4, 79-86, 91, 924;
63/26-28
CPC A44C 9/00; A44C 9/0007; A44C 9/0015;
A44C 9/0023; A44C 9/003; A44C
9/0038; A44C 9/0046; A44C 9/0053;
A44C 9/0061; A44C 9/0069; A44C
9/0076; A44C 17/02; A44C 17/0208;
A44C 17/0216

See application file for complete search history.

(56) **References Cited**

U.S. PATENT DOCUMENTS

2,346,607 A * 4/1944 Raiman A44C 9/02
63/15
4,107,947 A * 8/1978 Saito A44C 15/008
63/42
D363,252 S * 10/1995 Ambar D11/34
D373,550 S * 9/1996 Itzkowitz D11/34
D374,411 S * 10/1996 Ambar D11/34
D520,897 S * 5/2006 Sandberg D11/34

D562,173 S * 2/2008 Hardy D11/4
D648,646 S * 11/2011 Bodino D11/26
D731,347 S * 6/2015 Zeuner D11/27
D740,151 S * 10/2015 Harrigan D11/3
2013/0186134 A1 * 7/2013 Goldstein A44C 7/002
63/12
2014/0150496 A1 * 6/2014 Briggs-Jenkins A44C 9/0015
63/12
2017/0079389 A1 * 3/2017 Lau A44C 9/0023

OTHER PUBLICATIONS

[Online] <https://cdn.lyst.com/photos/saksfifthavenue/0400089254501-gold-b74c21cc.jpeg>. Retrieved Sep. 15, 2017.*
[Online] <http://www.alljewelin.com/wp-content/uploads/2016/01/14/1/582-Michael-Kors-Women-s-Rose-Gold-Tone-Crystal-Accent-Triple-Banded-Ring-1.jpg>. Retrieved Sep. 15, 2017.*

* cited by examiner

Primary Examiner — Melanie Pellegrini
(74) *Attorney, Agent, or Firm* — Donald J. Ranft; Collen IP

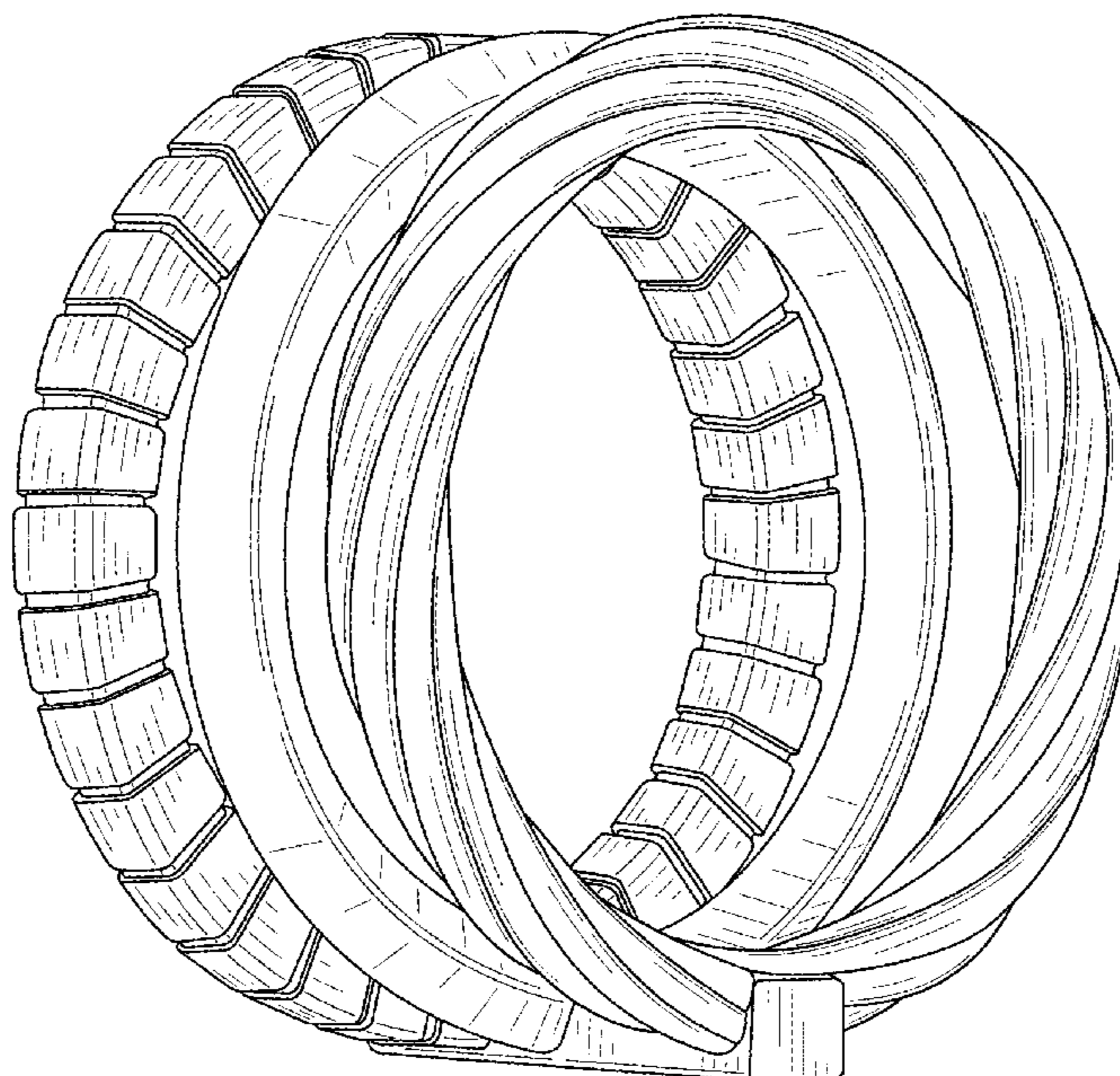
(57) **CLAIM**

The ornamental design for a ring, as shown.

DESCRIPTION

FIG. 1 is a front left perspective view of a ring showing my new design;
FIG. 2 is a front view thereof;
FIG. 3 is a rear view thereof;
FIG. 4 is a left side view thereof;
FIG. 5 is a right side view thereof;
FIG. 6 is a top view thereof;
FIG. 7 is a bottom view thereof; and,
FIG. 8 is a rear left perspective view thereof.

1 Claim, 6 Drawing Sheets



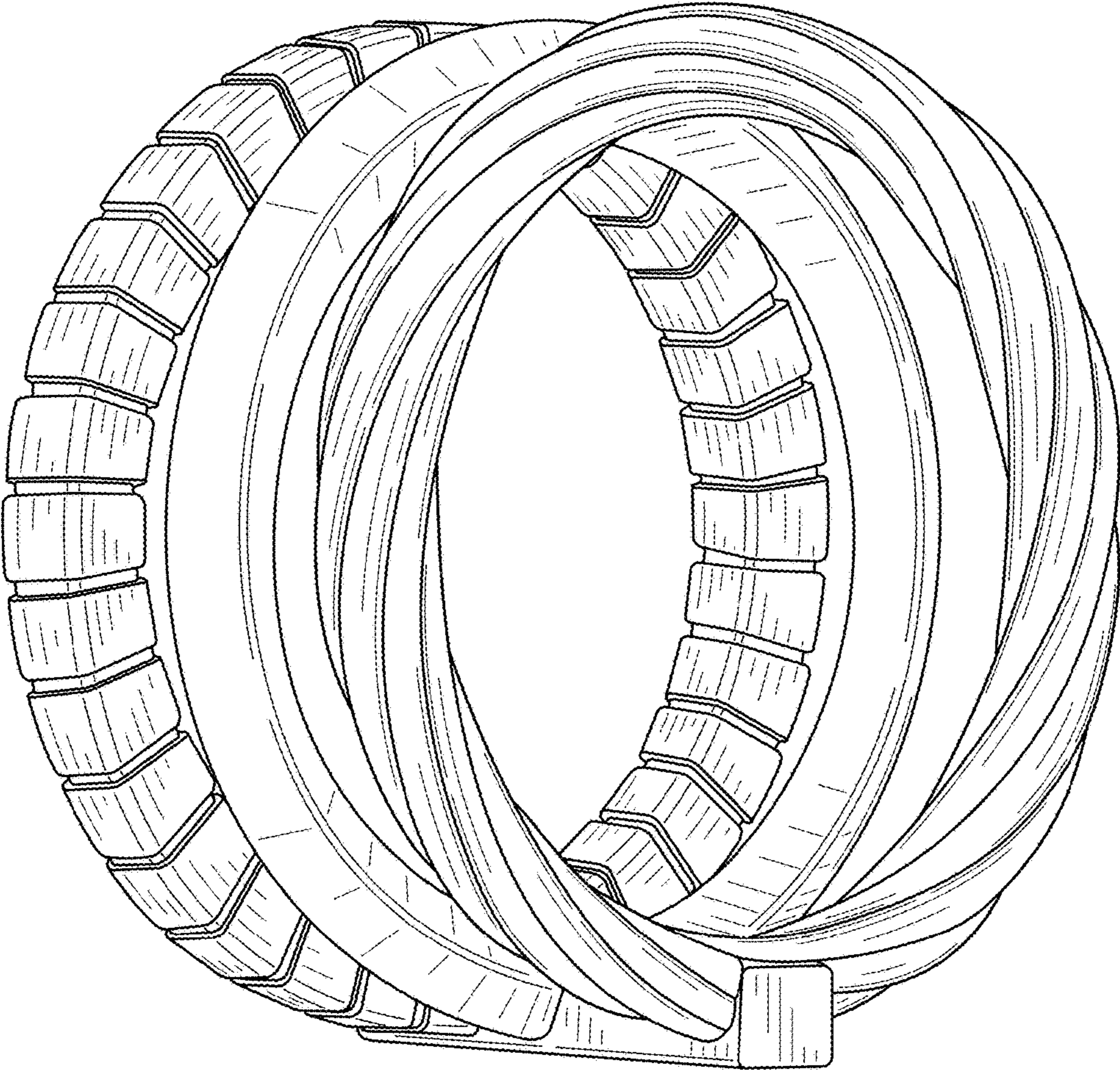


FIG. 1

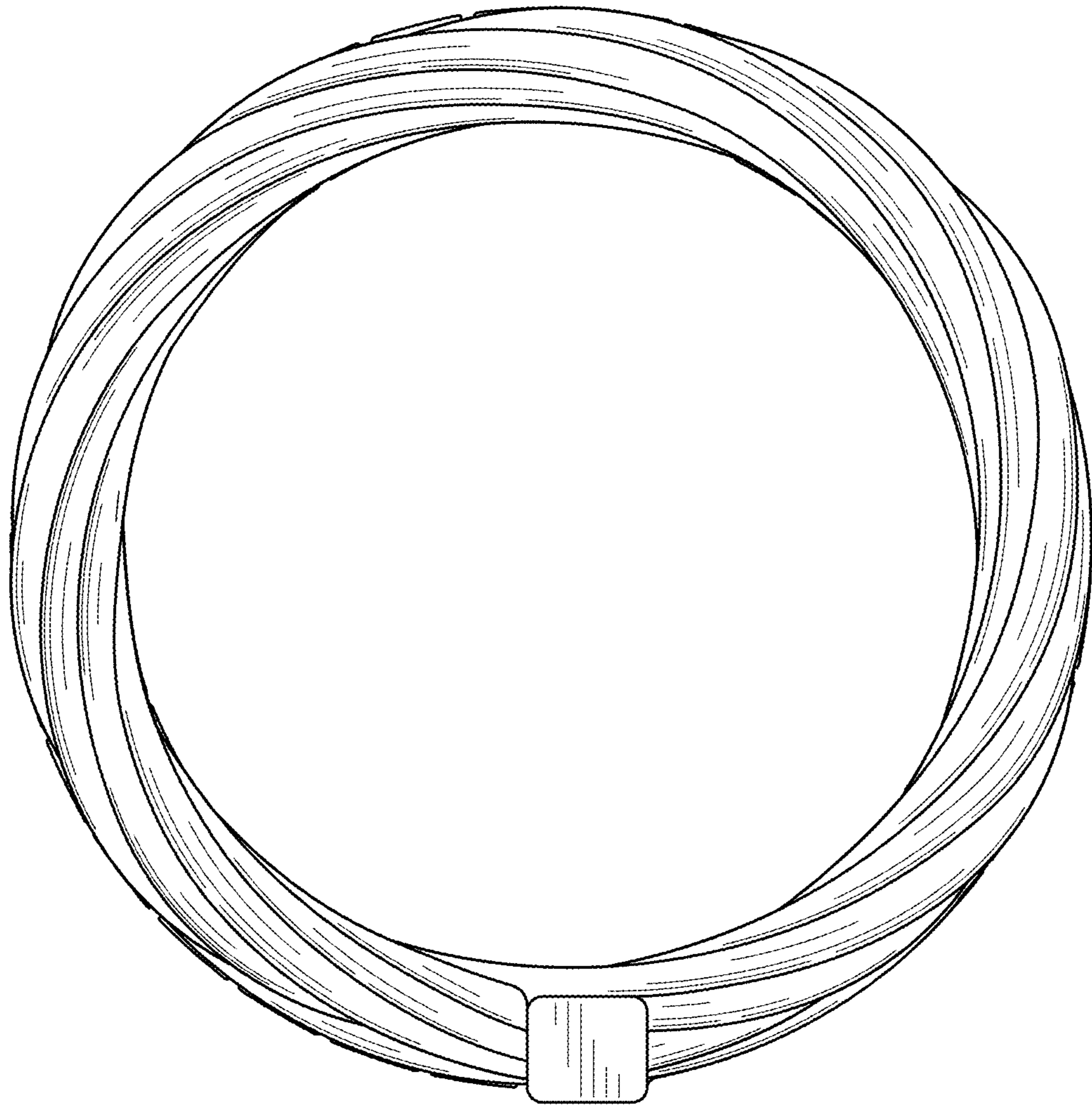


FIG. 2

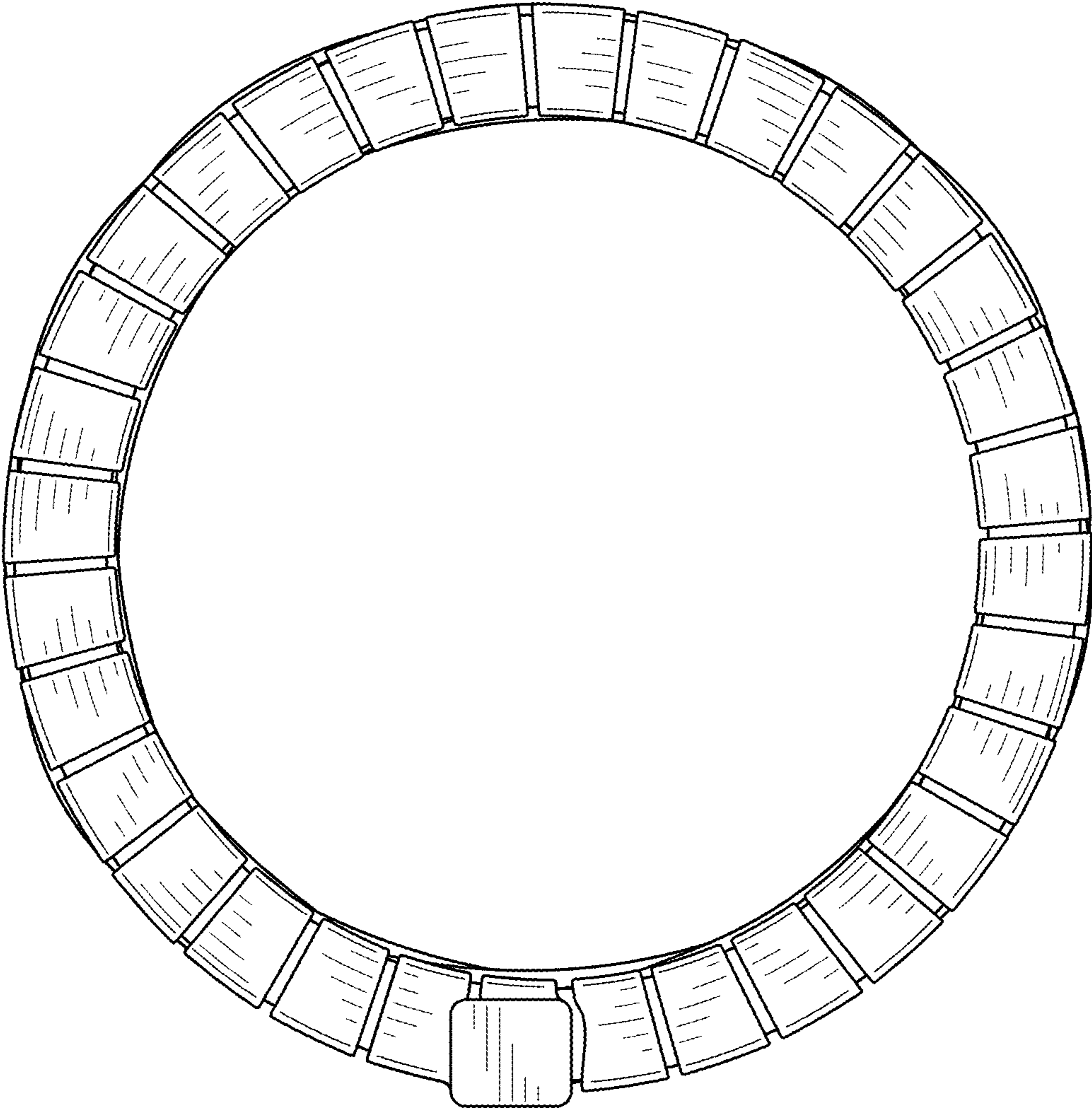


FIG. 3

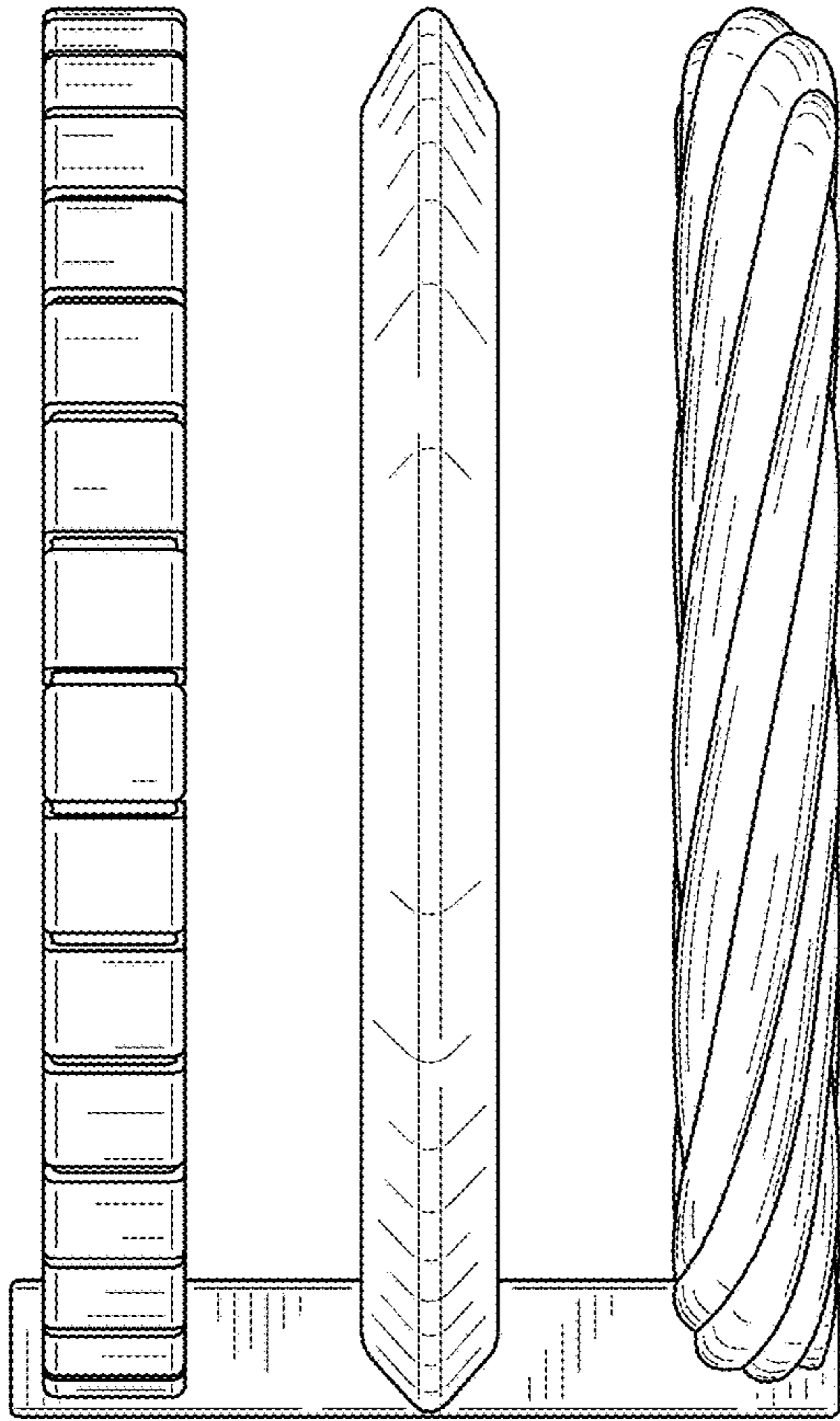


FIG. 4

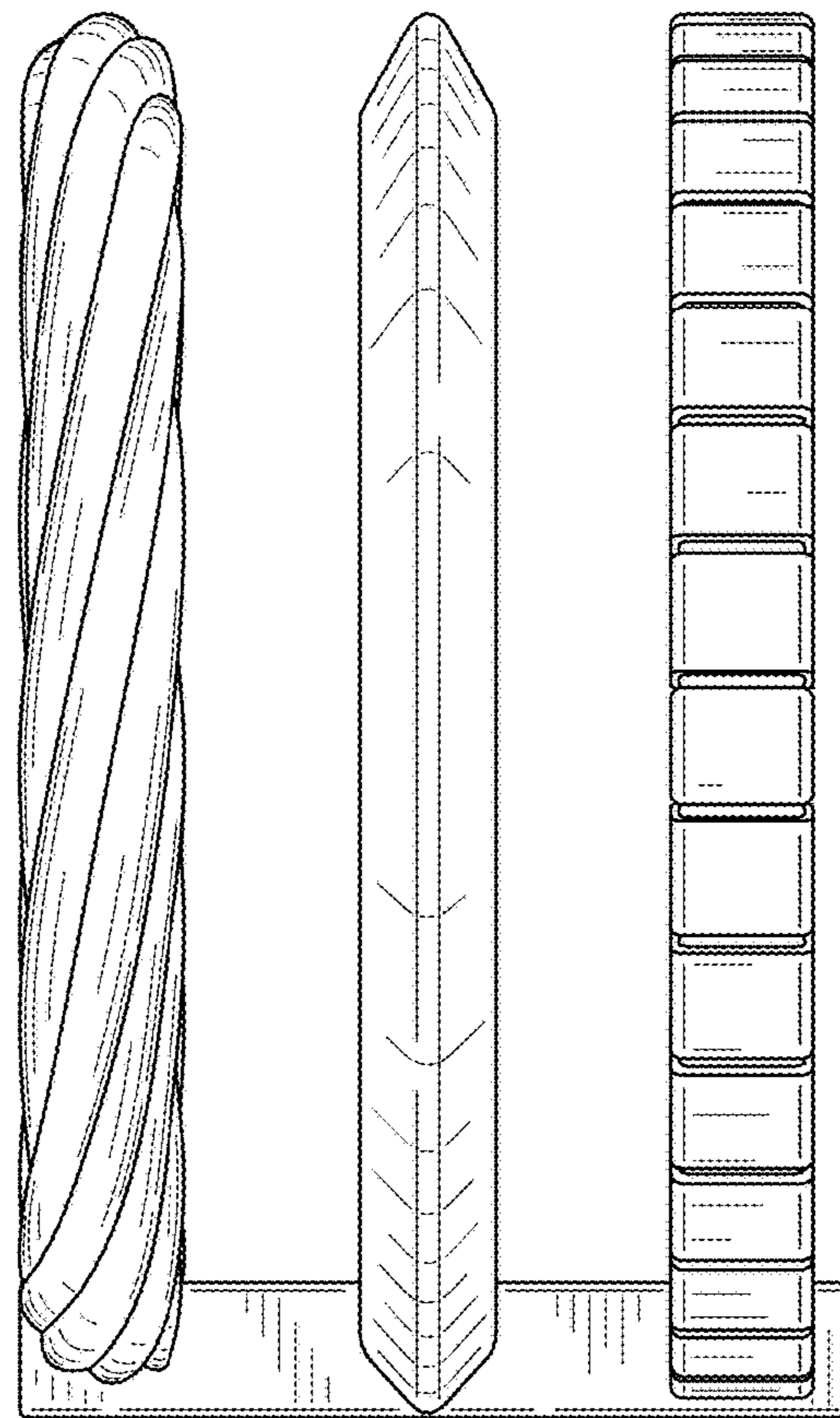


FIG. 5

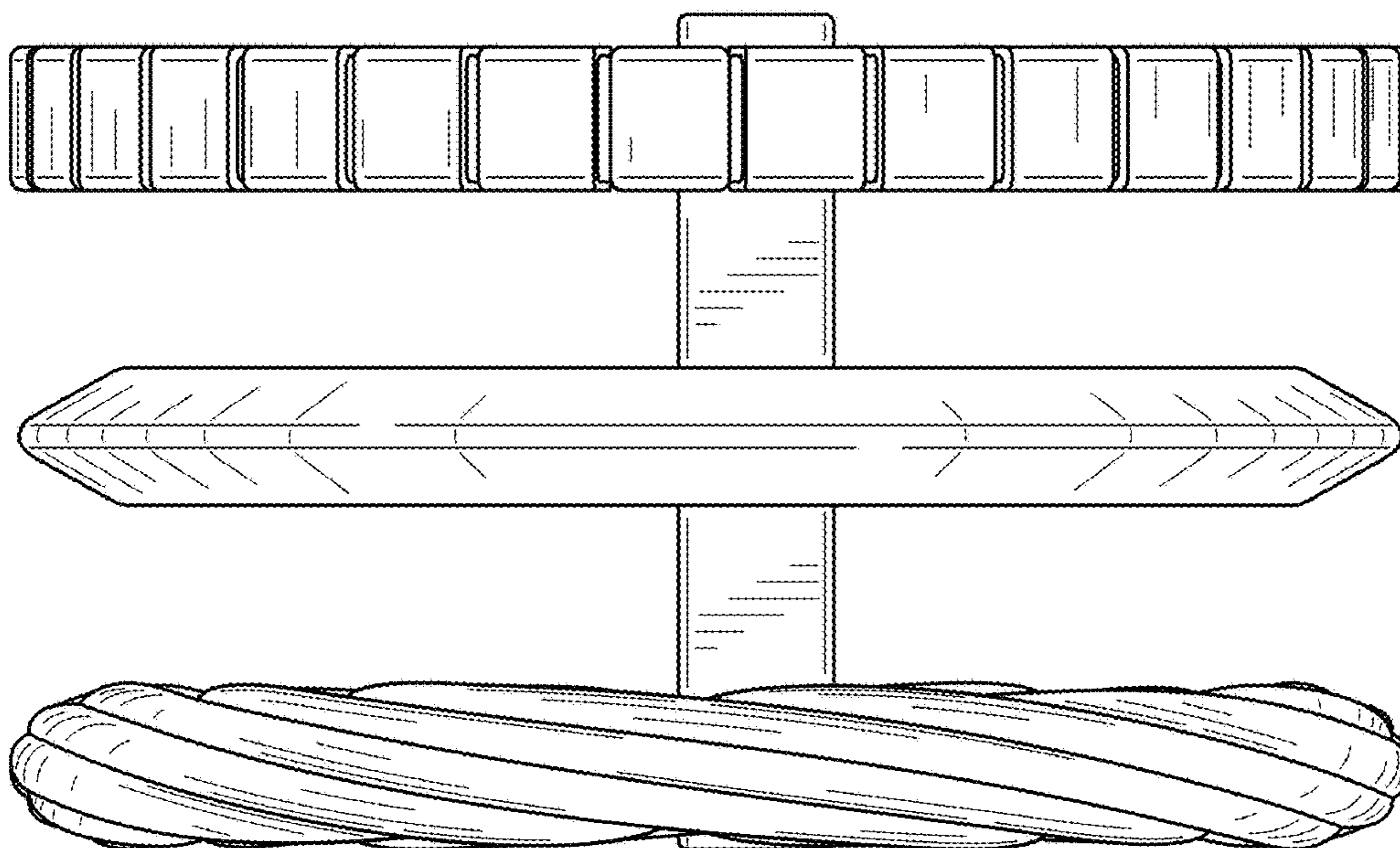


FIG. 6

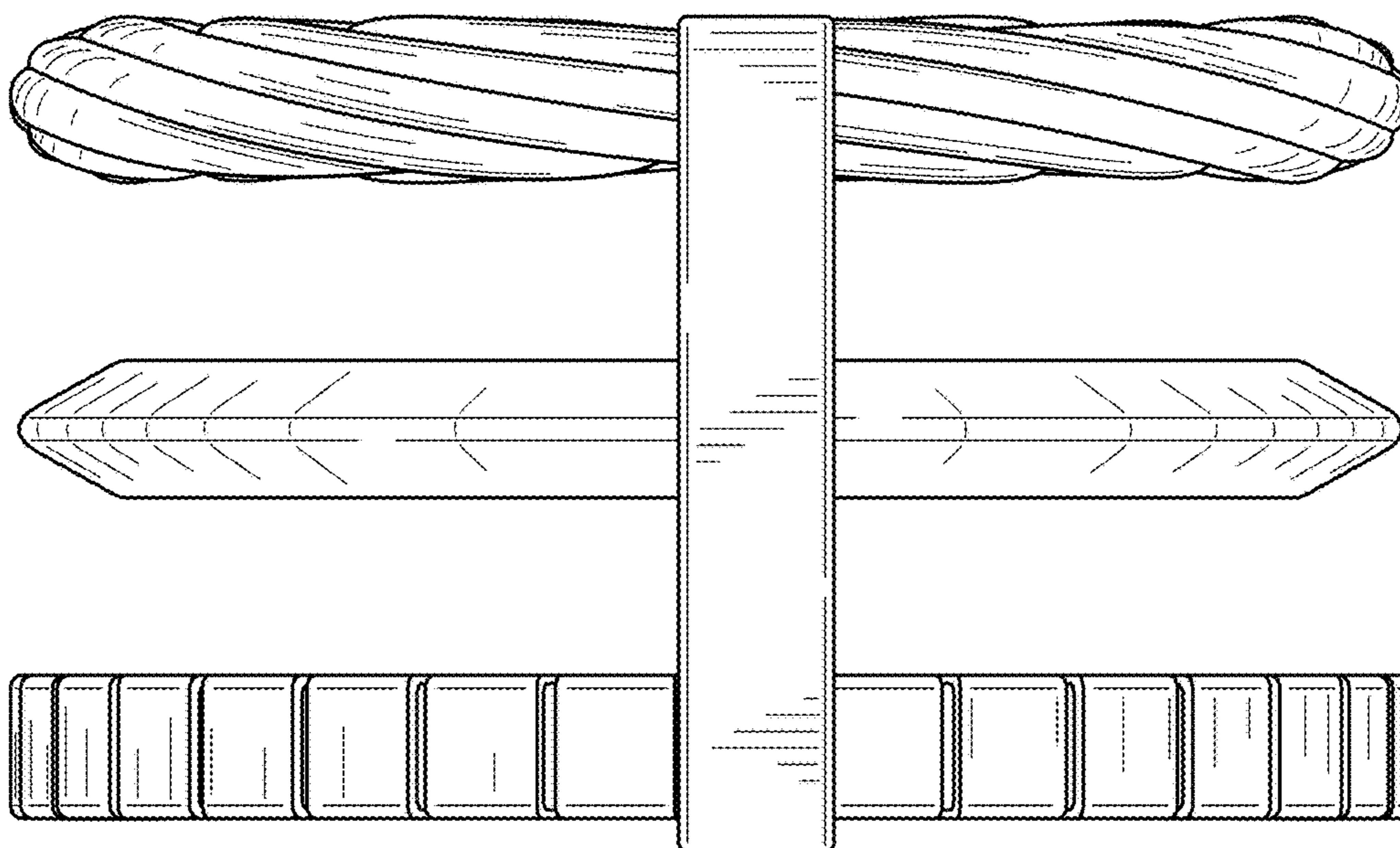


FIG. 7

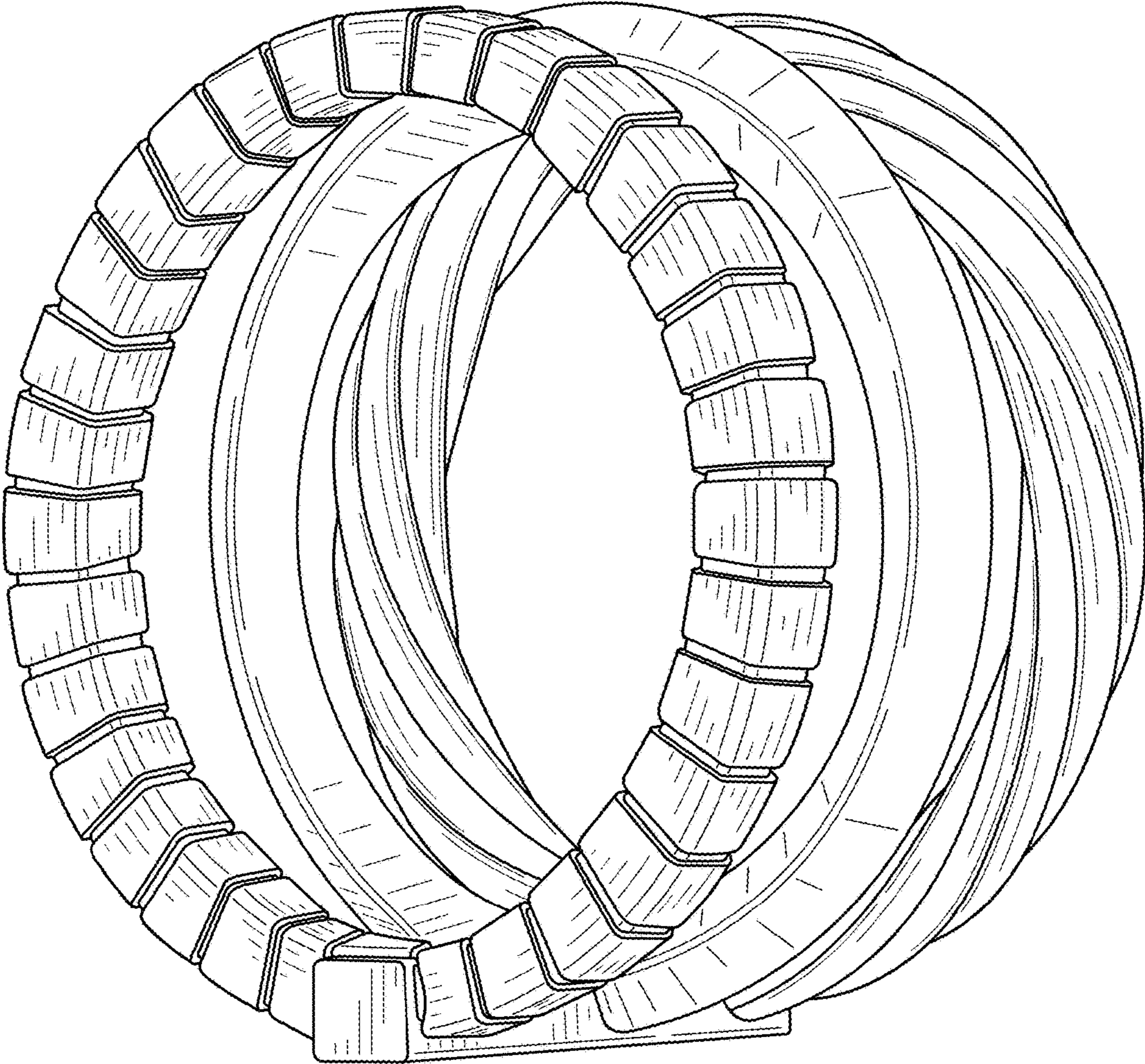


FIG. 8