



US00D804344S

(12) **United States Design Patent**
Chung

(10) **Patent No.:** **US D804,344 S**

(45) **Date of Patent:** **** Dec. 5, 2017**

(54) **LIGHTNING CONDUCTOR**

(71) Applicant: **OMNI LPS. CO., LTD.**, Seoul (KR)

(72) Inventor: **Young-ki Chung**, Seoul (KR)

(73) Assignee: **Omni LPS. Co., Ltd.** (KR)

(**) Term: **15 Years**

(21) Appl. No.: **29/572,750**

(22) Filed: **Jul. 29, 2016**

(30) **Foreign Application Priority Data**

May 17, 2016 (KR) 30-2016-0023303

(51) **LOC (10) Cl.** **10-05**

(52) **U.S. Cl.**
USPC **D10/105**

(58) **Field of Classification Search**
USPC D10/105; D13/101, 117, 184, 199;
D30/124
CPC H01R 3/00; H01R 210/00; H02G 13/00;
H02G 13/40; H02G 13/80; B64D 45/02
See application file for complete search history.

(56) **References Cited**

U.S. PATENT DOCUMENTS

1,166,393 A * 12/1915 Steinberger H01B 17/42
174/140 R
D428,537 S * 7/2000 Miller D30/124

D497,116 S * 10/2004 Chung D10/105
D558,625 S * 1/2008 Chung D10/105
D567,689 S * 4/2008 Chung D10/105
D642,947 S * 8/2011 Chung D10/105
D642,948 S * 8/2011 Chung D10/105
D642,949 S * 8/2011 Chung D10/105
D730,226 S * 5/2015 Chung D10/105
D753,523 S * 4/2016 Chung D10/105
D756,827 S * 5/2016 Chung D10/105
2015/0122527 A1* 5/2015 Chung H02G 13/00
174/3
2016/0228894 A1* 8/2016 Chung H02G 13/80

* cited by examiner

Primary Examiner — Thomas Johannes

Assistant Examiner — Catherine Ho

(74) *Attorney, Agent, or Firm* — Blank Rome LLP

(57) **CLAIM**

The ornamental design for a lightning conductor, as shown and described.

DESCRIPTION

FIG. 1 is a perspective view of a lightning conductor of my design;

FIG. 2 is a front view thereof;

FIG. 3 is a left-side view thereof;

FIG. 4 is a right-side view thereof;

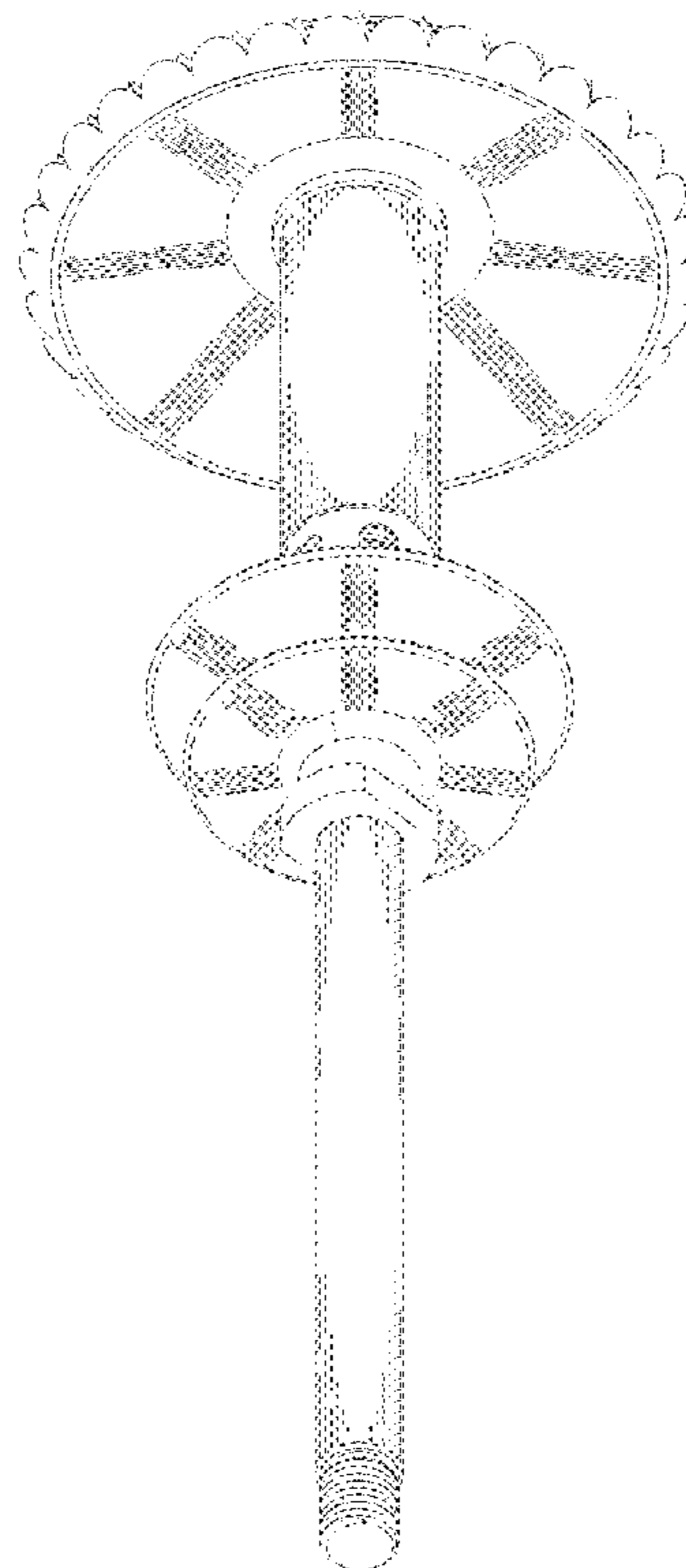
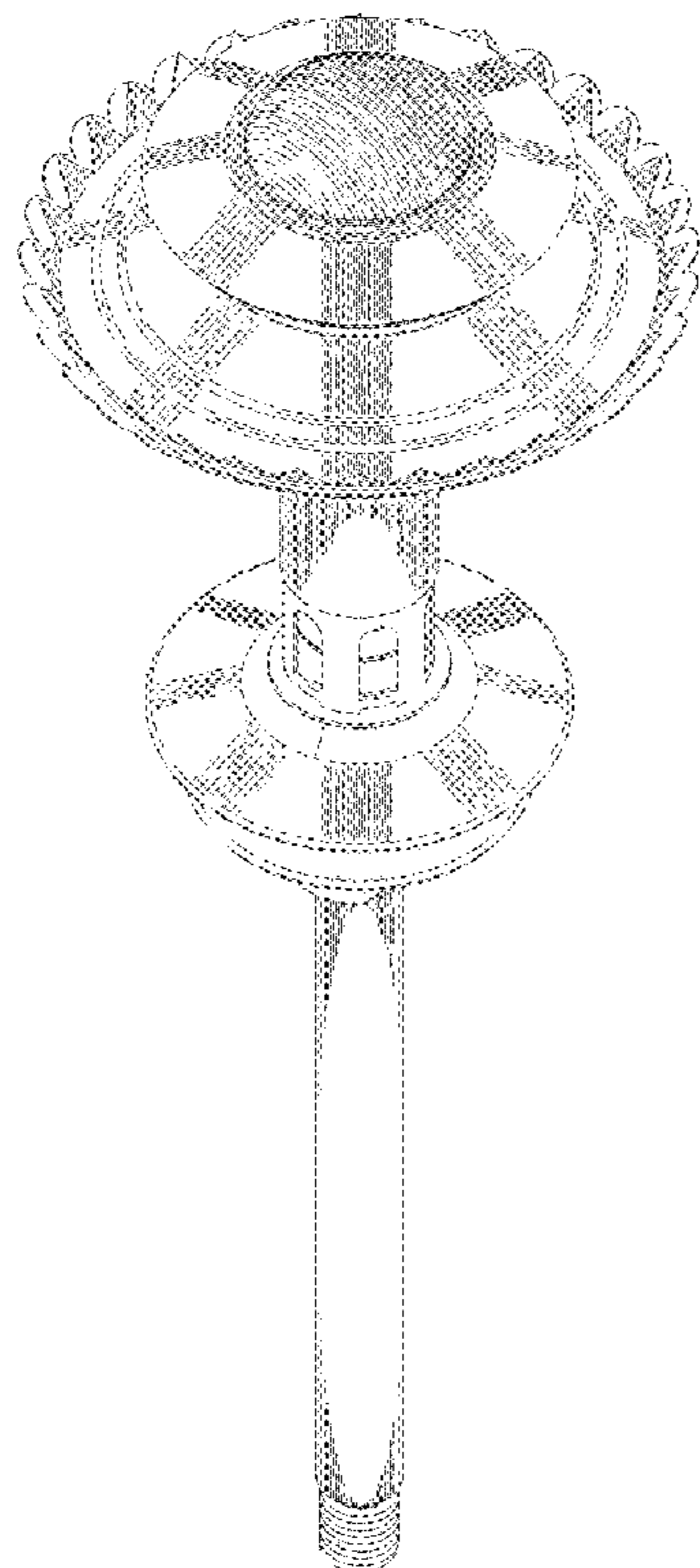
FIG. 5 is a rear view thereof;

FIG. 6 is a top view thereof;

FIG. 7 is a bottom view thereof; and,

FIG. 8 is a bottom perspective view thereof.

1 Claim, 8 Drawing Sheets



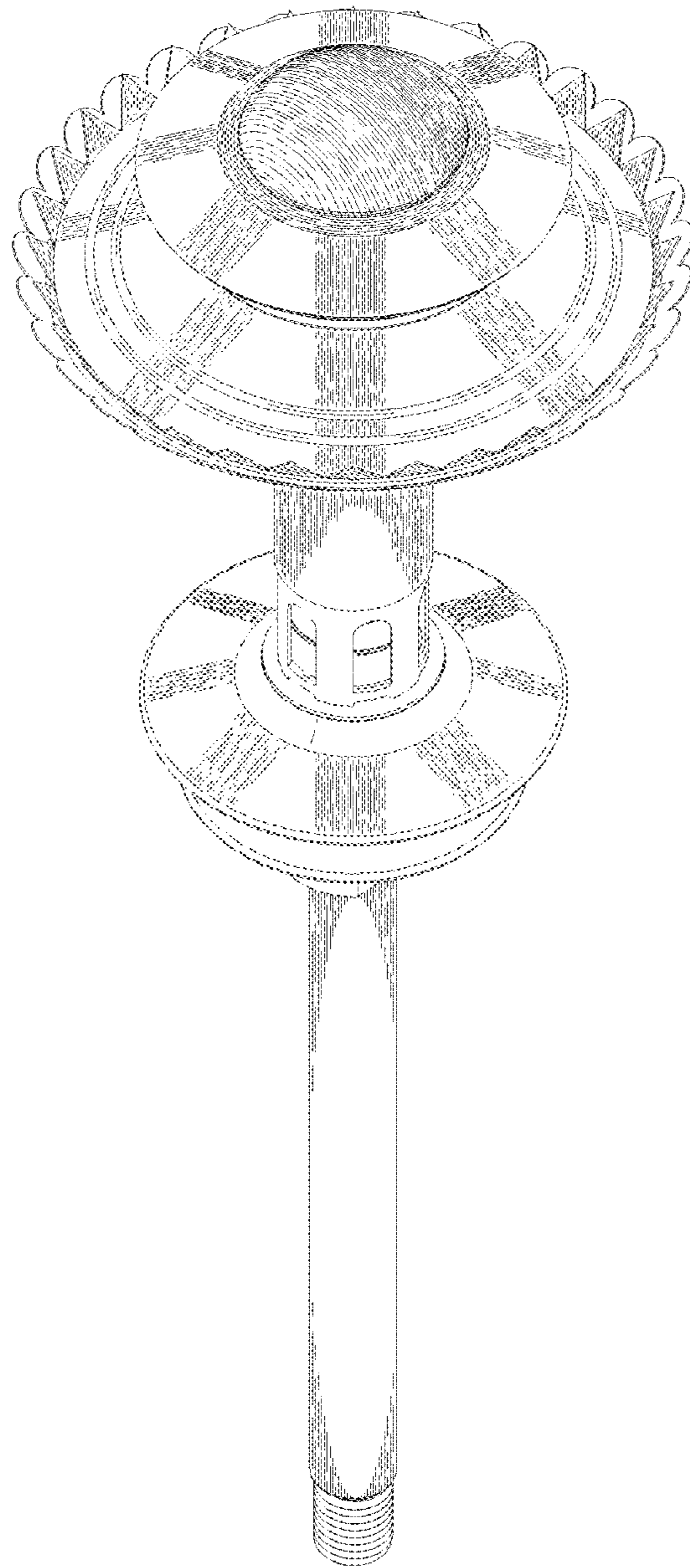


FIG. 1

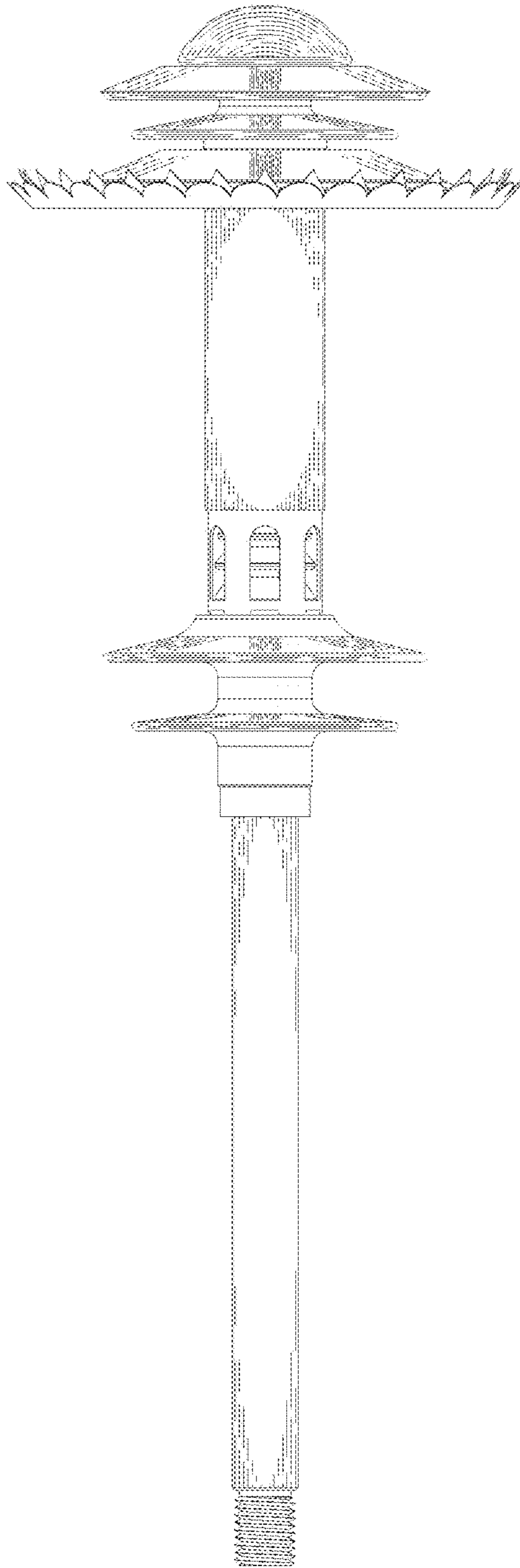


FIG. 2

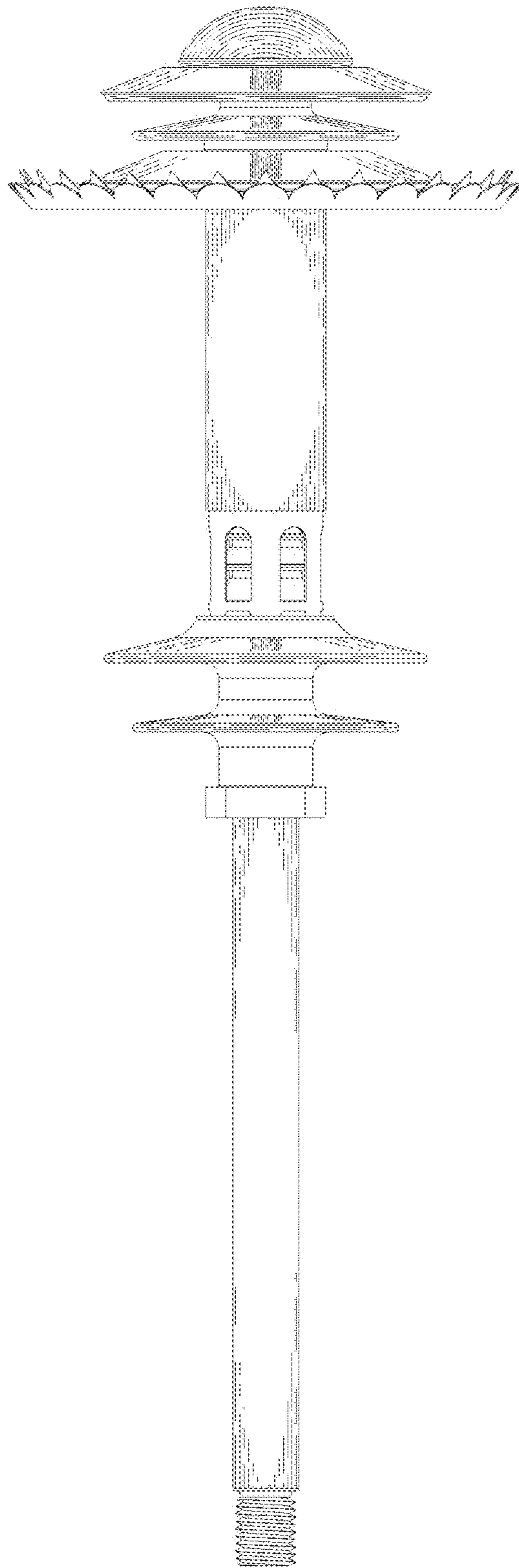


FIG.3

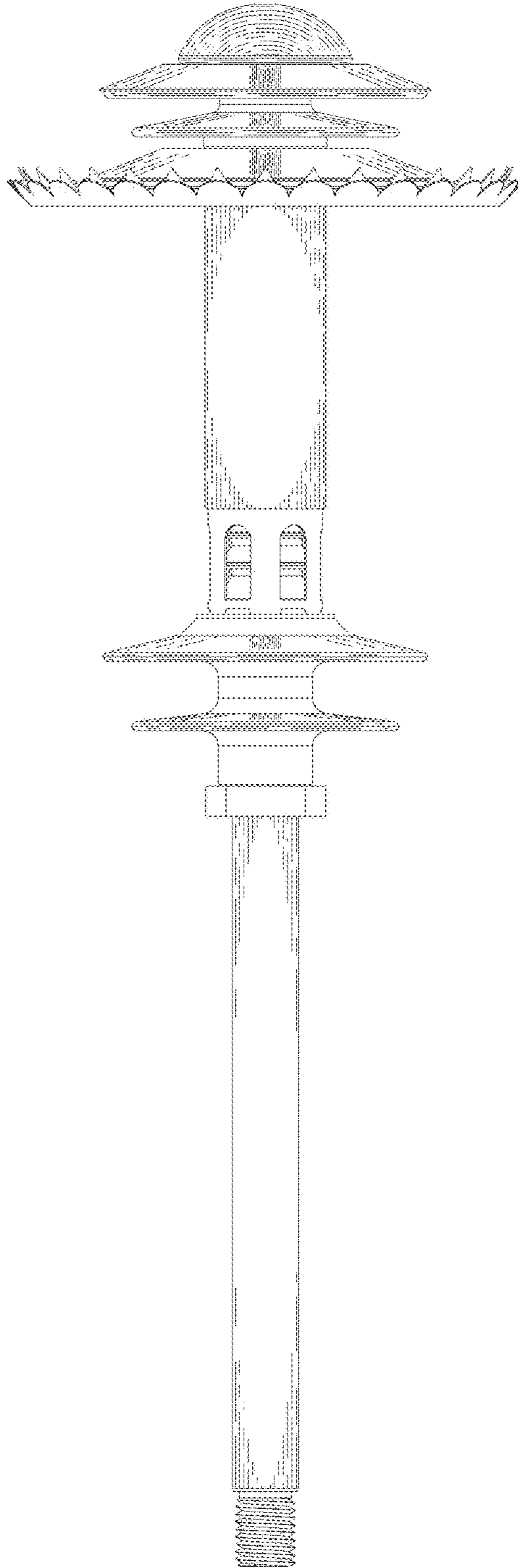


FIG. 4

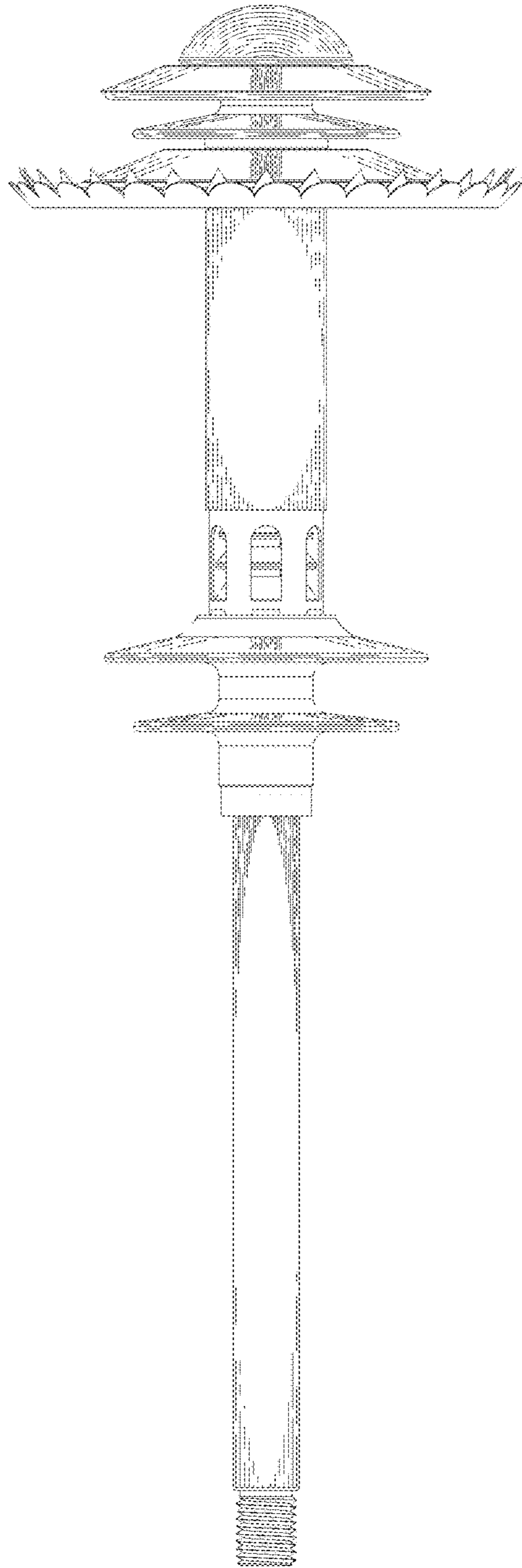


FIG. 5

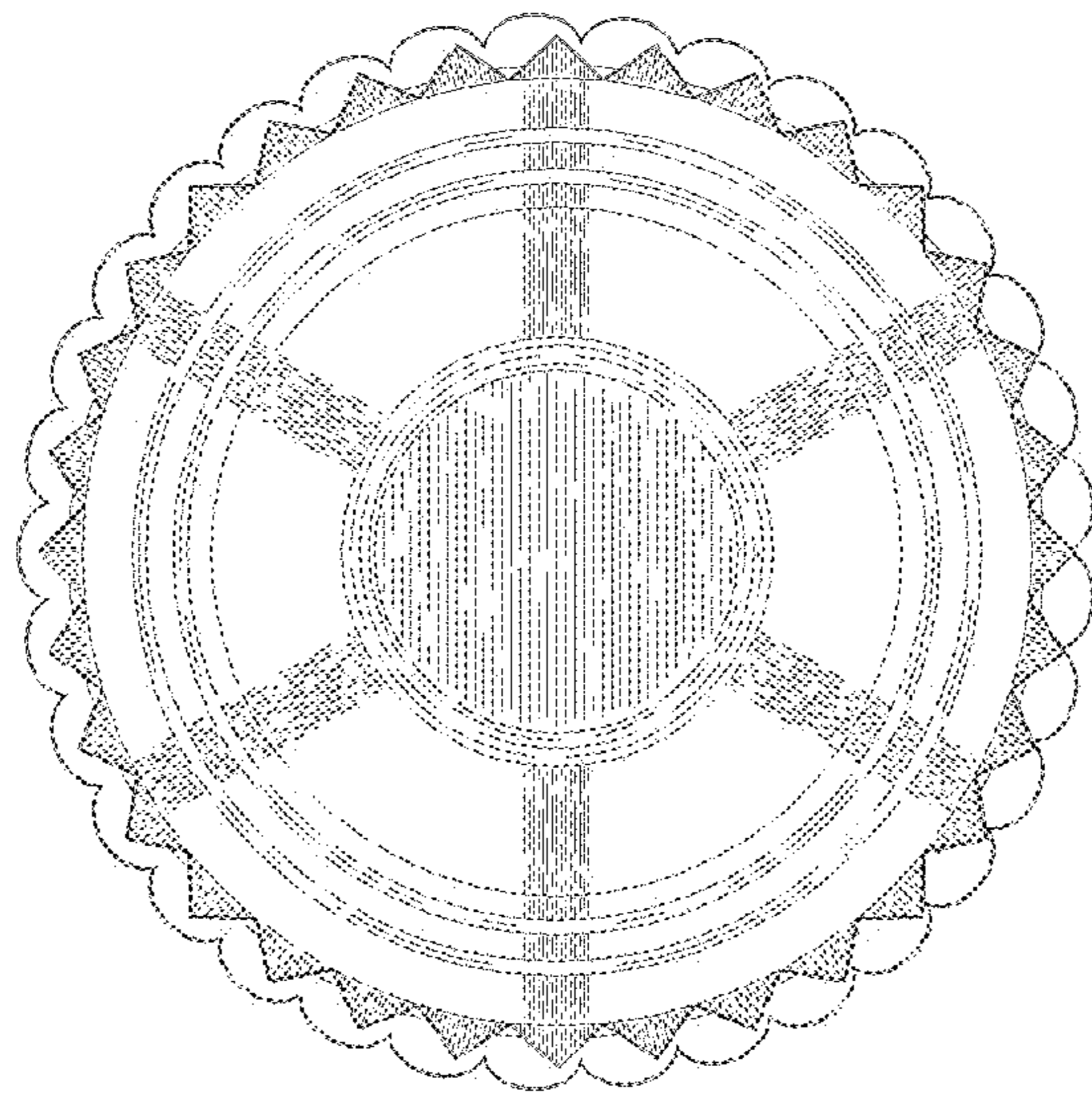


FIG.6

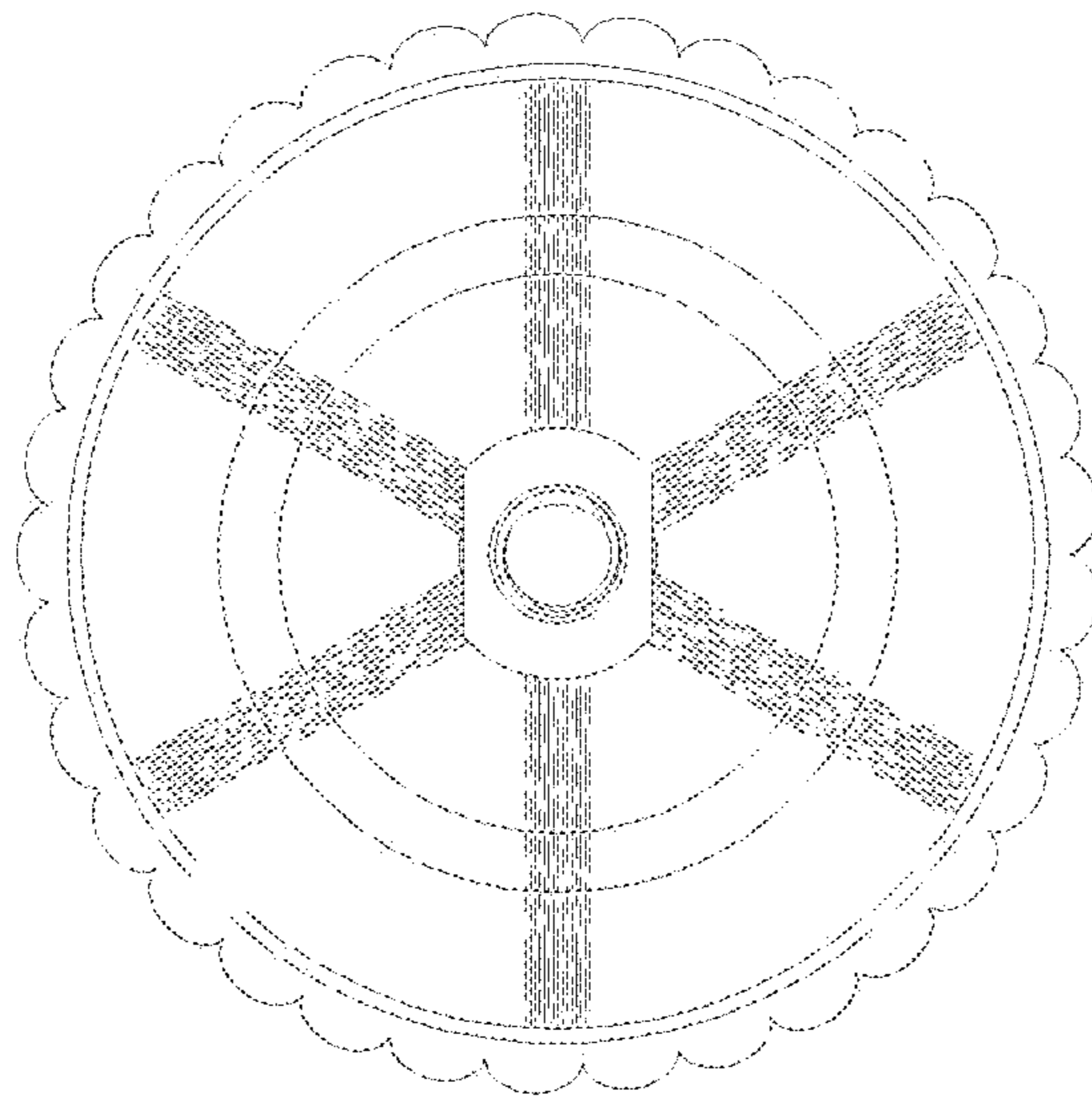


FIG. 7

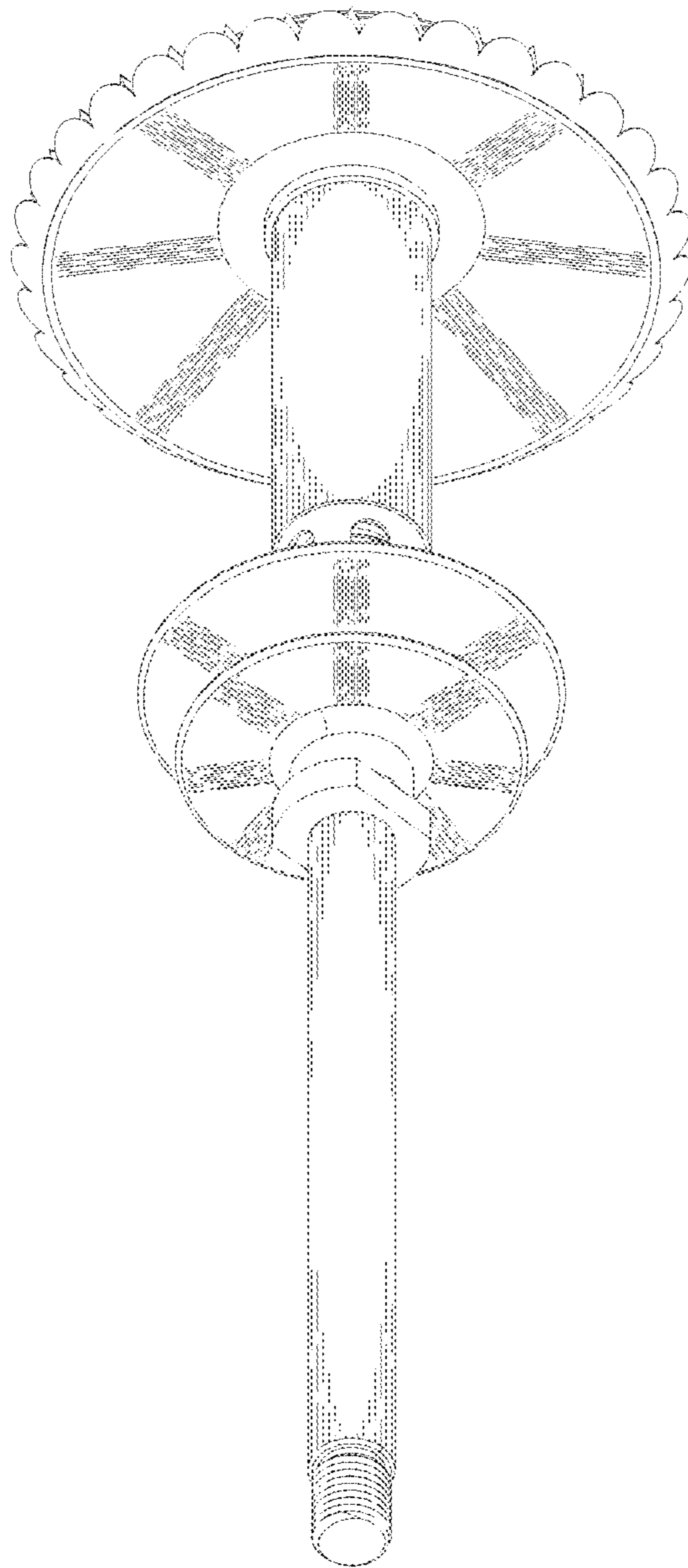


FIG. 8