



US00D804342S

(12) **United States Design Patent** (10) **Patent No.:** **US D804,342 S**
Zhang (45) **Date of Patent:** **** Dec. 5, 2017**

(54) **TACHOGRAPH**

(56) **References Cited**

(71) Applicant: **SHENZHEN JIAFENG ZHUOYUE
DIGITAL COMMUNICATION
TECHNOLOGY CO., LTD.,**
Shenzhen, Guangdong (CN)

U.S. PATENT DOCUMENTS

8,747,148 B2 * 6/2014 Roberts G07C 5/0808
439/533

(72) Inventor: **Qingnan Zhang**, Shenzhen Guangdong
(CN)

* cited by examiner

Primary Examiner — Antoine Duval Davis
(74) *Attorney, Agent, or Firm* — Mu P.C.

(**) Term: **15 Years**

(57) **CLAIM**

(21) Appl. No.: **29/568,171**

The ornamental design for a tachograph, as shown and described.

(22) Filed: **Jun. 15, 2016**

DESCRIPTION

(51) **LOC (10) Cl.** **10-04**

FIG. 1 is a front view of a tachograph showing my new design;

(52) **U.S. Cl.**

FIG. 2 is a rear view thereof;

USPC **D10/98**

FIG. 3 is a left side view thereof;

(58) **Field of Classification Search**

USPC D10/98

FIG. 4 is a right side view thereof;

CPC G01P 1/122; G01P 1/125; G07C 5/00;

FIG. 5 is a top view thereof; and,

G07C 5/08; G07C 5/0808; G07C 5/0816;

FIG. 6 is a bottom view thereof.

G07C 5/0841; G07C 5/085; G07C

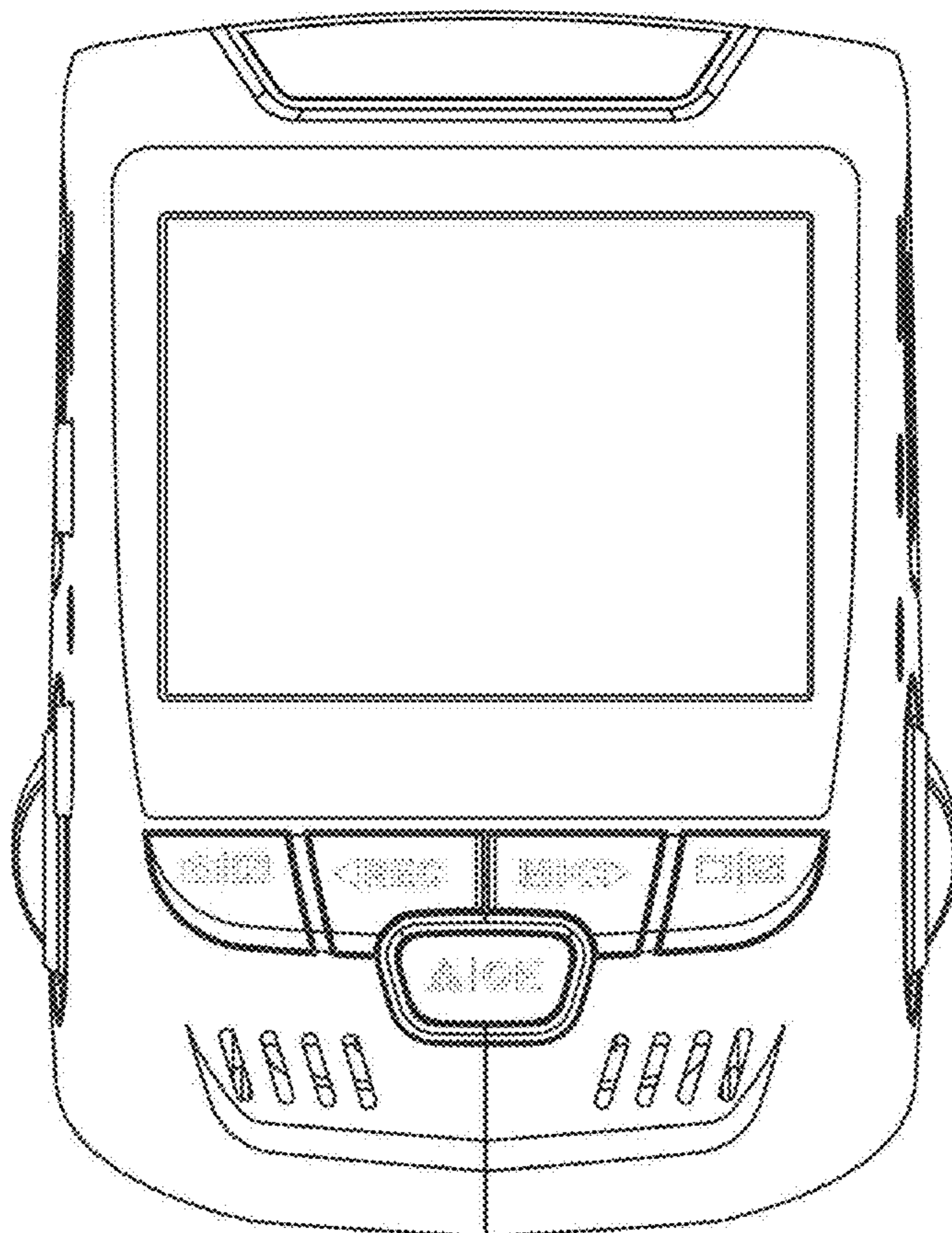
5/0858; G07C 5/10; G07C 5/12;

G07C 7/00

The broken lines shown are included for the purpose of illustrating the unclaimed portions of the article, and forms no part of the claimed design.

See application file for complete search history.

1 Claim, 5 Drawing Sheets



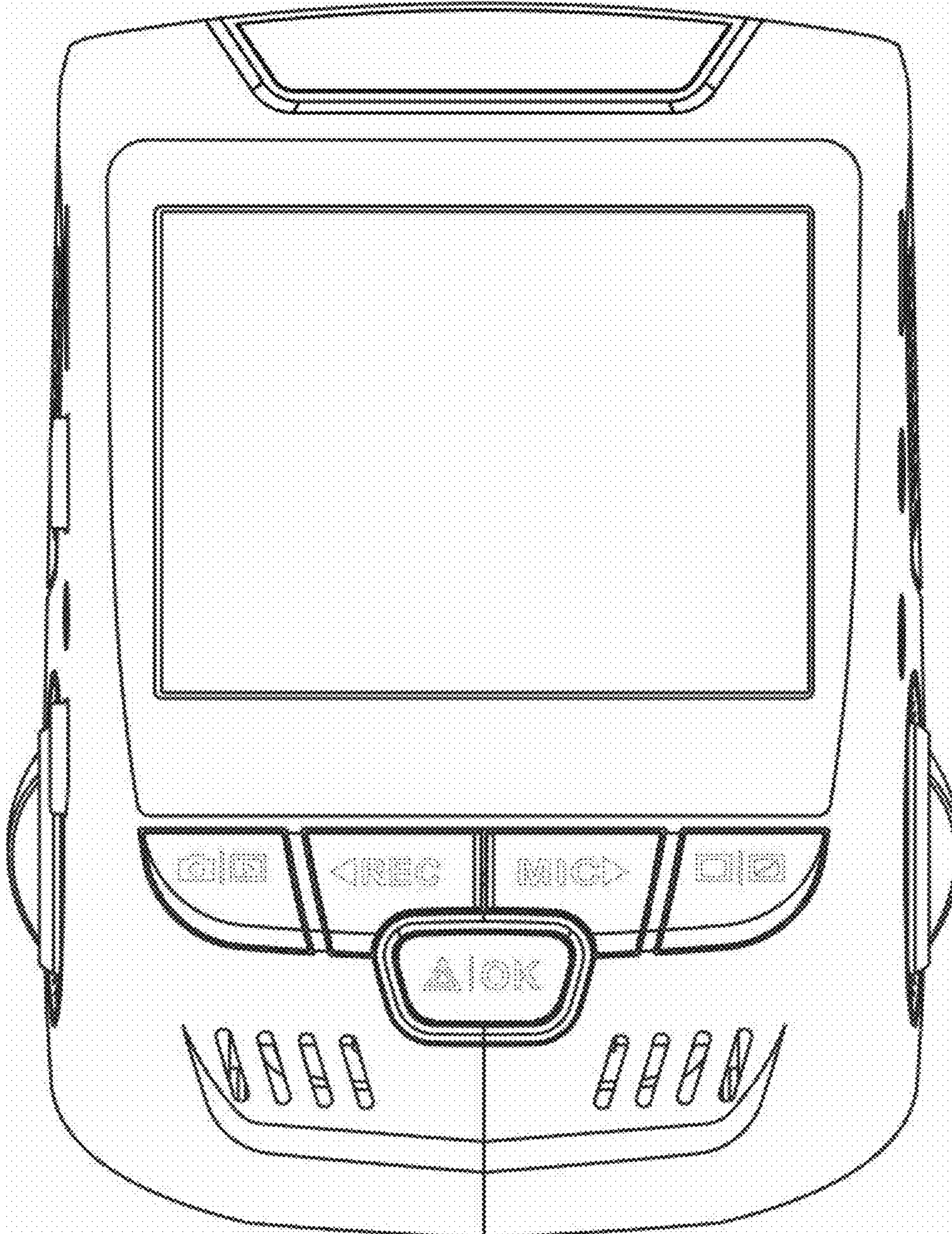


Figure 1

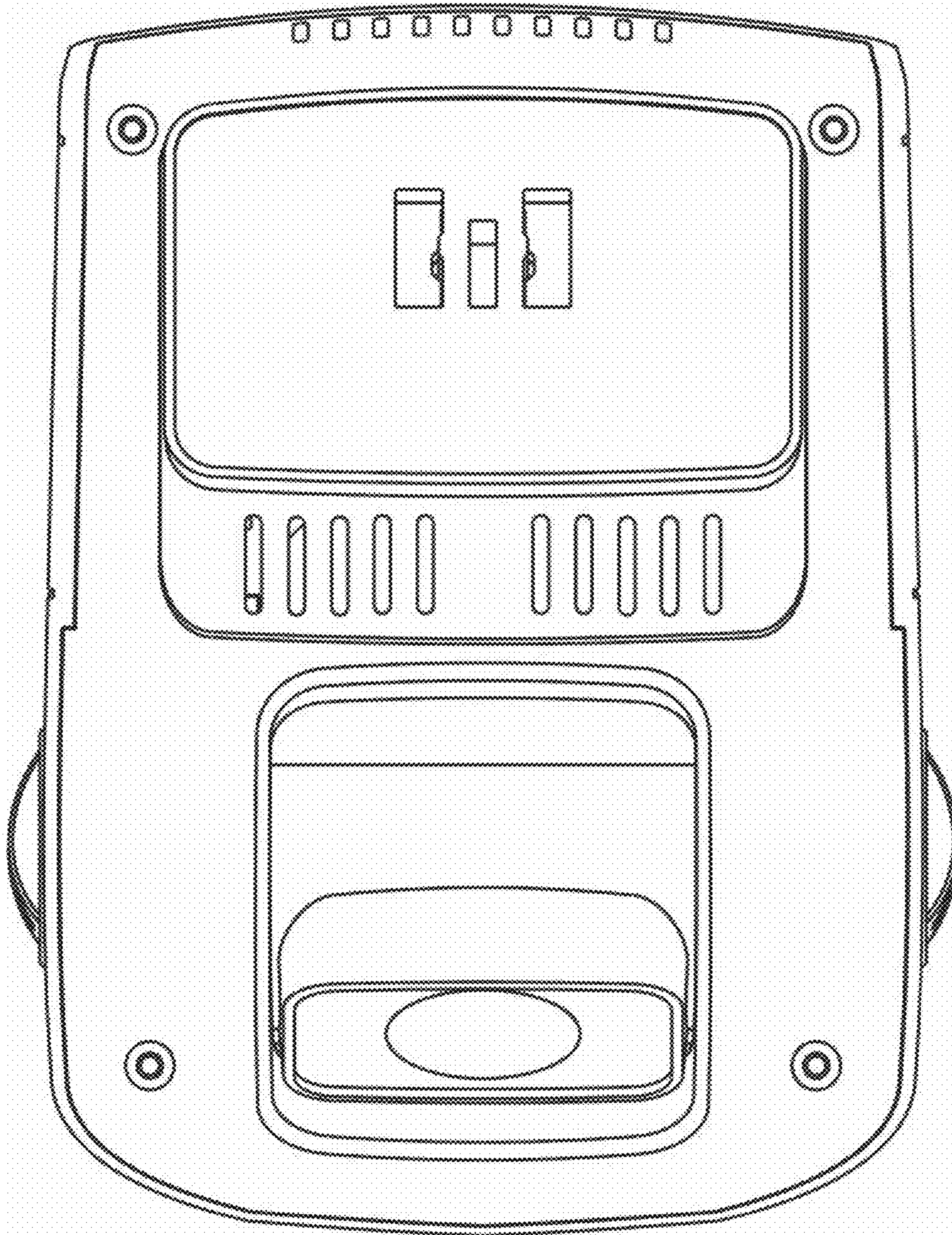


Figure 2

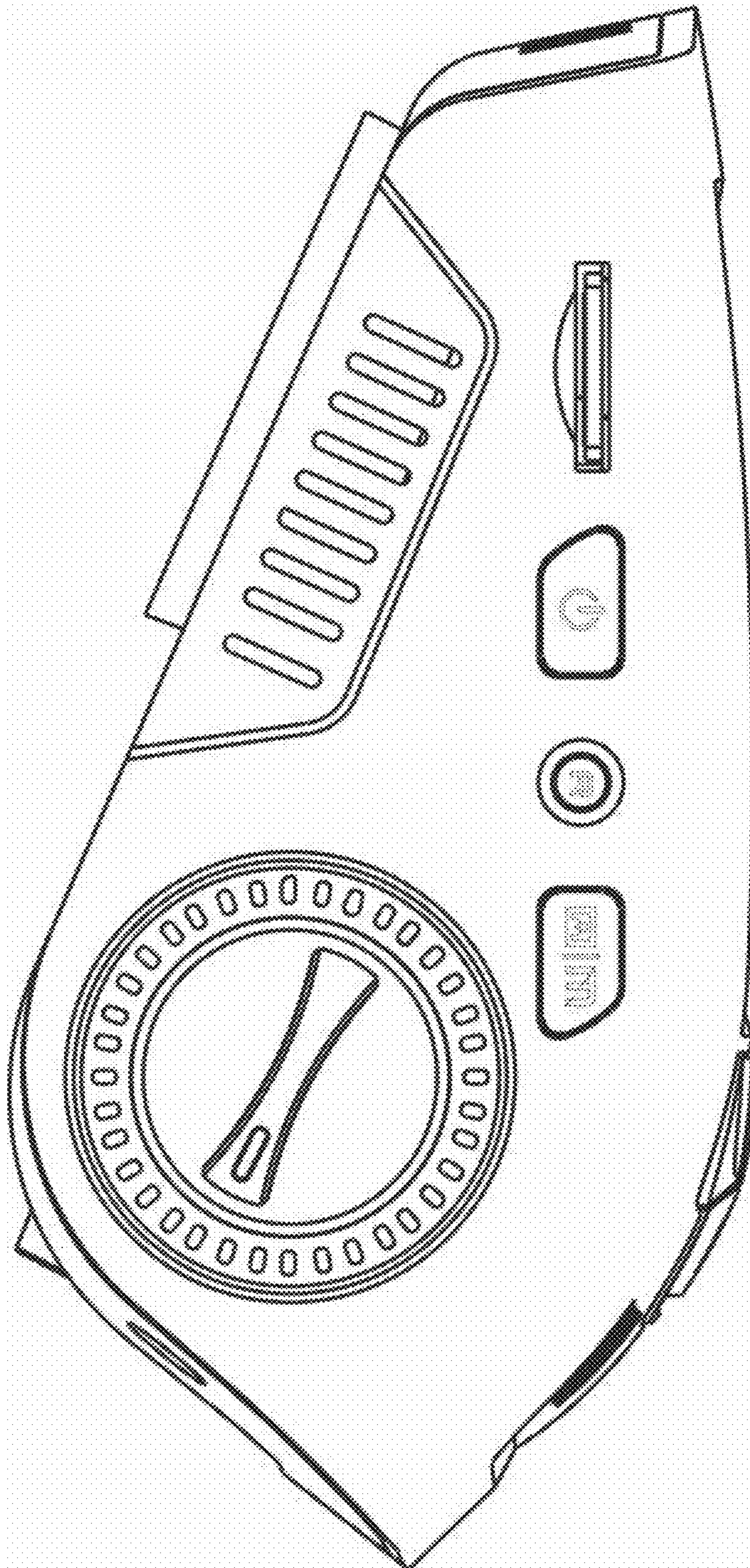


Figure 3

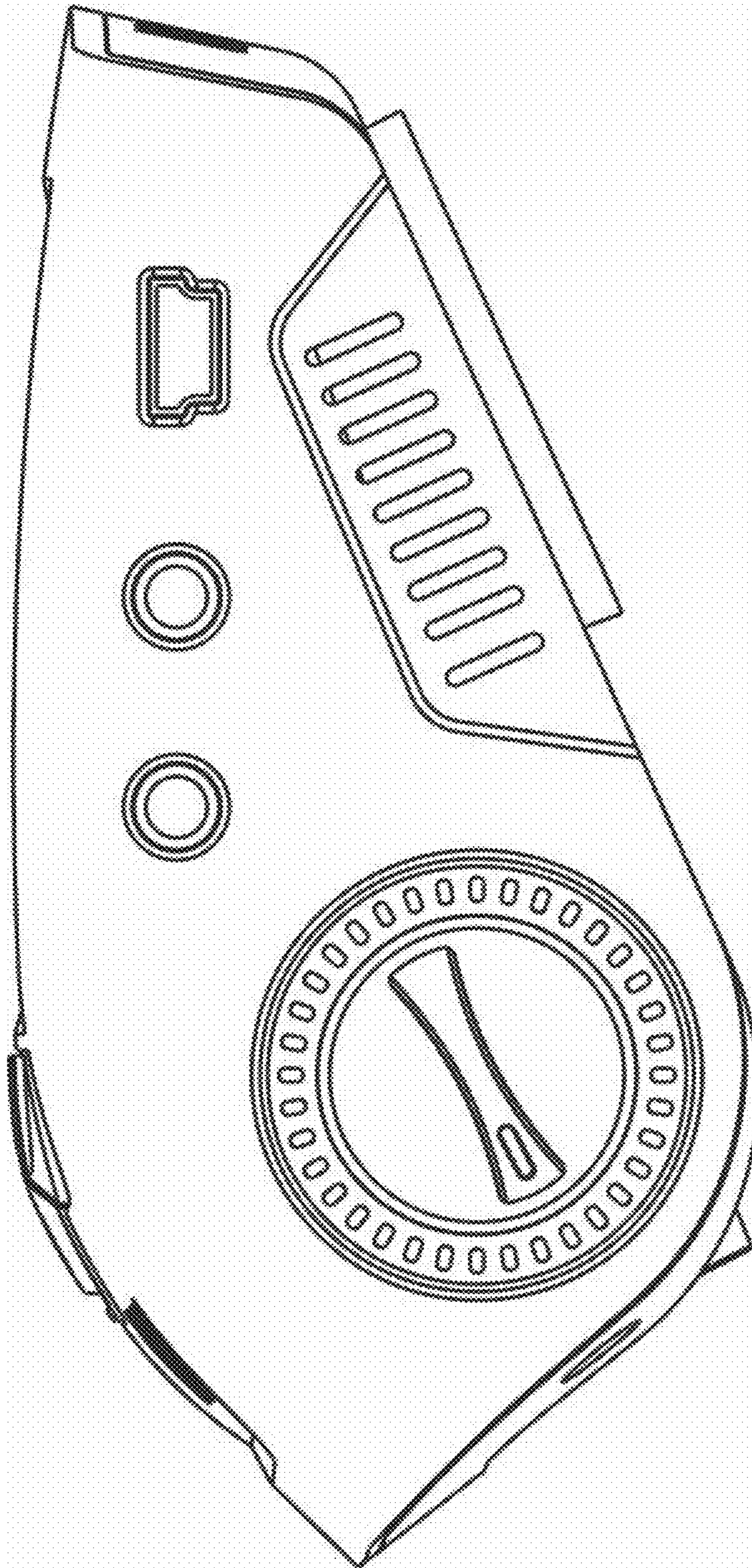


Figure 4

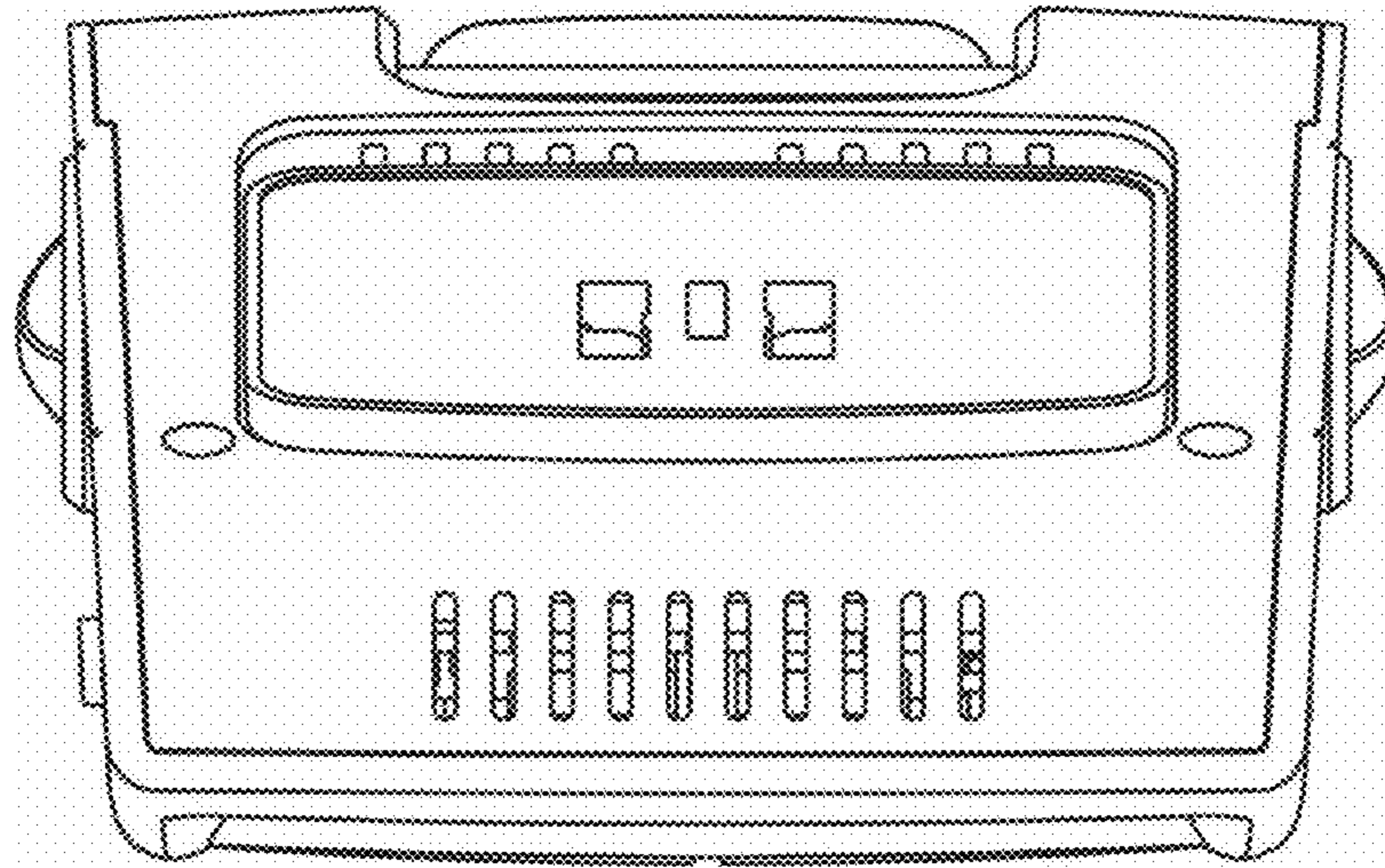


Figure 5

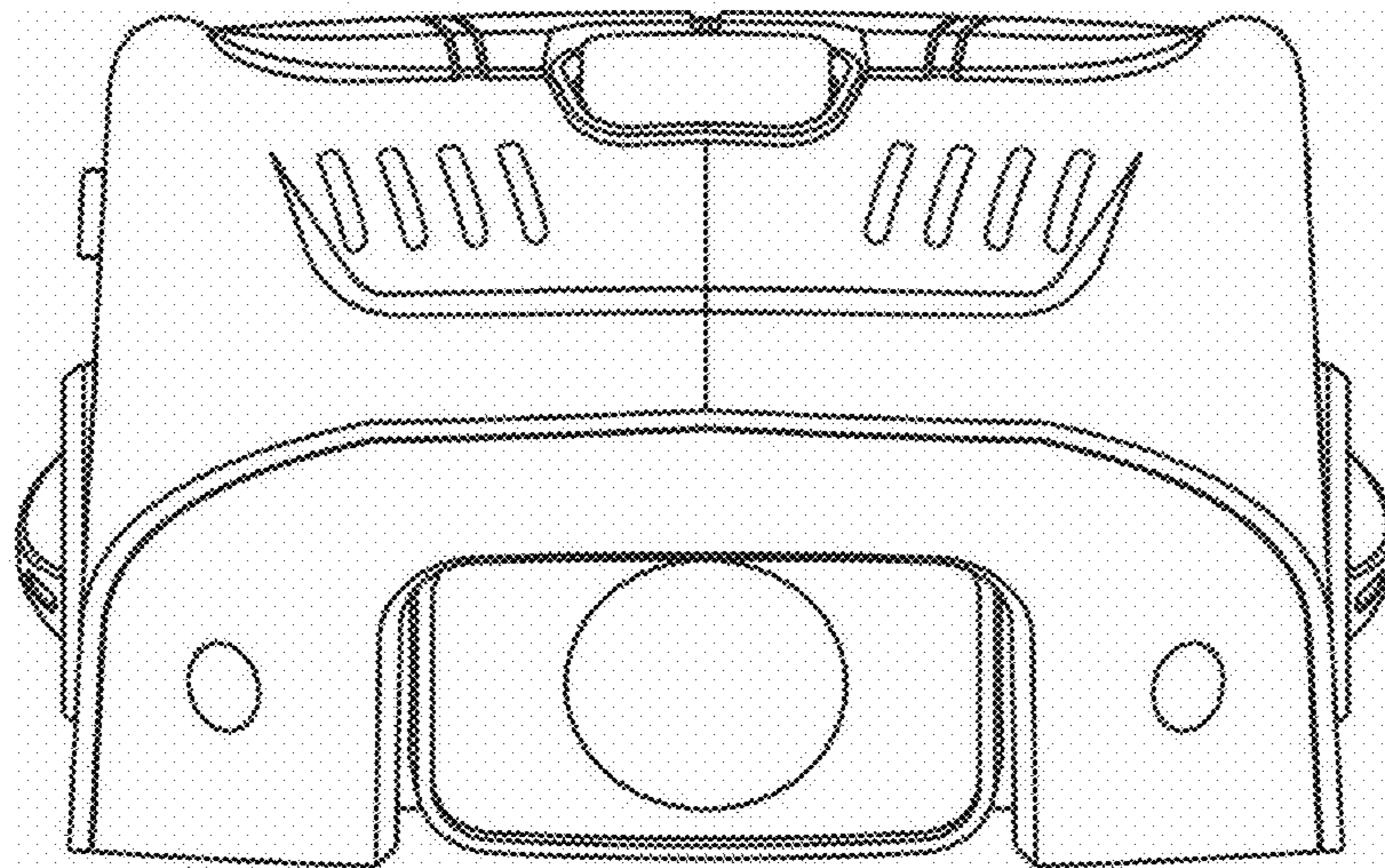


Figure 6