



US00D804341S

(12) **United States Design Patent**  
**Rowland**

(10) **Patent No.:** **US D804,341 S**  
(45) **Date of Patent:** **\*\* Dec. 5, 2017**

(54) **METERING PUMP**

F04B 39/123; F04B 39/125; F04B 39/126; F04B 39/127; F04B 39/128

(71) Applicant: **Brightwell Dispensers Limited,**  
Newhaven (GB)

See application file for complete search history.

(72) Inventor: **James Rowland,** Newhaven (GB)

(56) **References Cited**

(73) Assignee: **Brightwell Dispensers Limited,**  
Newhaven (GB)

U.S. PATENT DOCUMENTS

(\*\*) Term: **15 Years**

4,415,314 A \* 11/1983 Chappell ..... E03D 9/037  
4/227.3

(21) Appl. No.: **29/557,696**

\* cited by examiner

(22) Filed: **Mar. 10, 2016**

*Primary Examiner* — Antoine Duval Davis

(30) **Foreign Application Priority Data**

(74) *Attorney, Agent, or Firm* — Levy & Grandinetti

Sep. 11, 2015 (EM) ..... 2771253-0002

(51) **LOC (10) Cl.** ..... **10-04**

(52) **U.S. Cl.**  
USPC ..... **D10/96; D10/100; D15/7; D24/108;**  
**D24/111; D24/164; D24/169**

(57) **CLAIM**

The ornamental design for a metering pump, as shown and described.

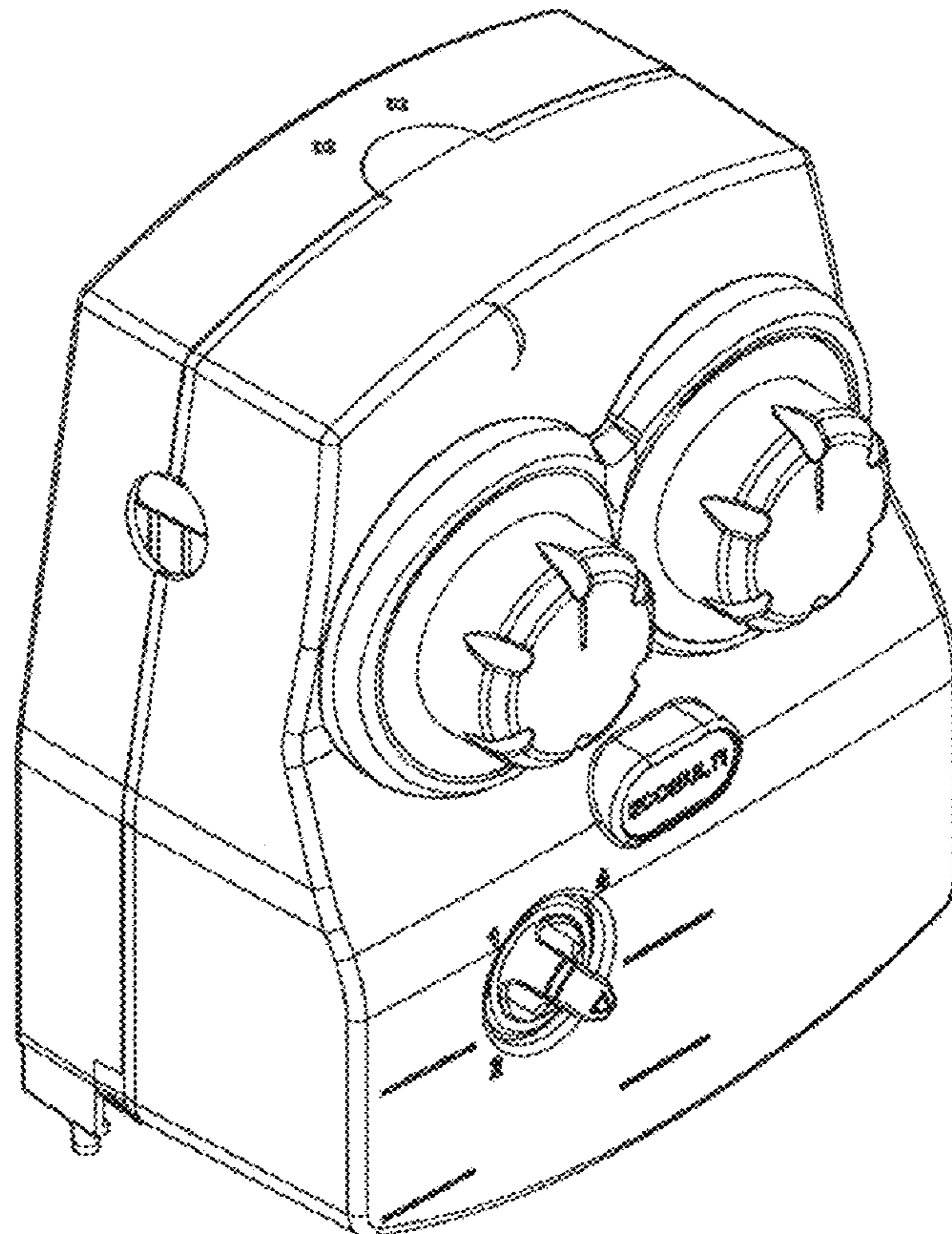
(58) **Field of Classification Search**

USPC ..... **D10/96, 97, 99, 100, 101; D15/7-9;**  
**D24/108, 111, 164, 169**  
CPC ..... **F04B 25/00; F04B 27/00; F04B 33/00;**  
**F04B 35/00; F04B 37/00; F04B 39/00;**  
**F04B 39/12; F04B 39/121; F04B 39/122;**

**DESCRIPTION**

FIG. 1 is a front view of a metering pump;  
FIG. 2 is a right view of the metering pump of FIG. 1;  
FIG. 3 is a left view of the metering pump of FIG. 1;  
FIG. 4 is a top view of the metering pump of FIG. 1;  
FIG. 5 is a bottom view of the metering pump of FIG. 1; and,  
FIG. 6 is a perspective view of the metering pump of FIG. 1.

**1 Claim, 6 Drawing Sheets**



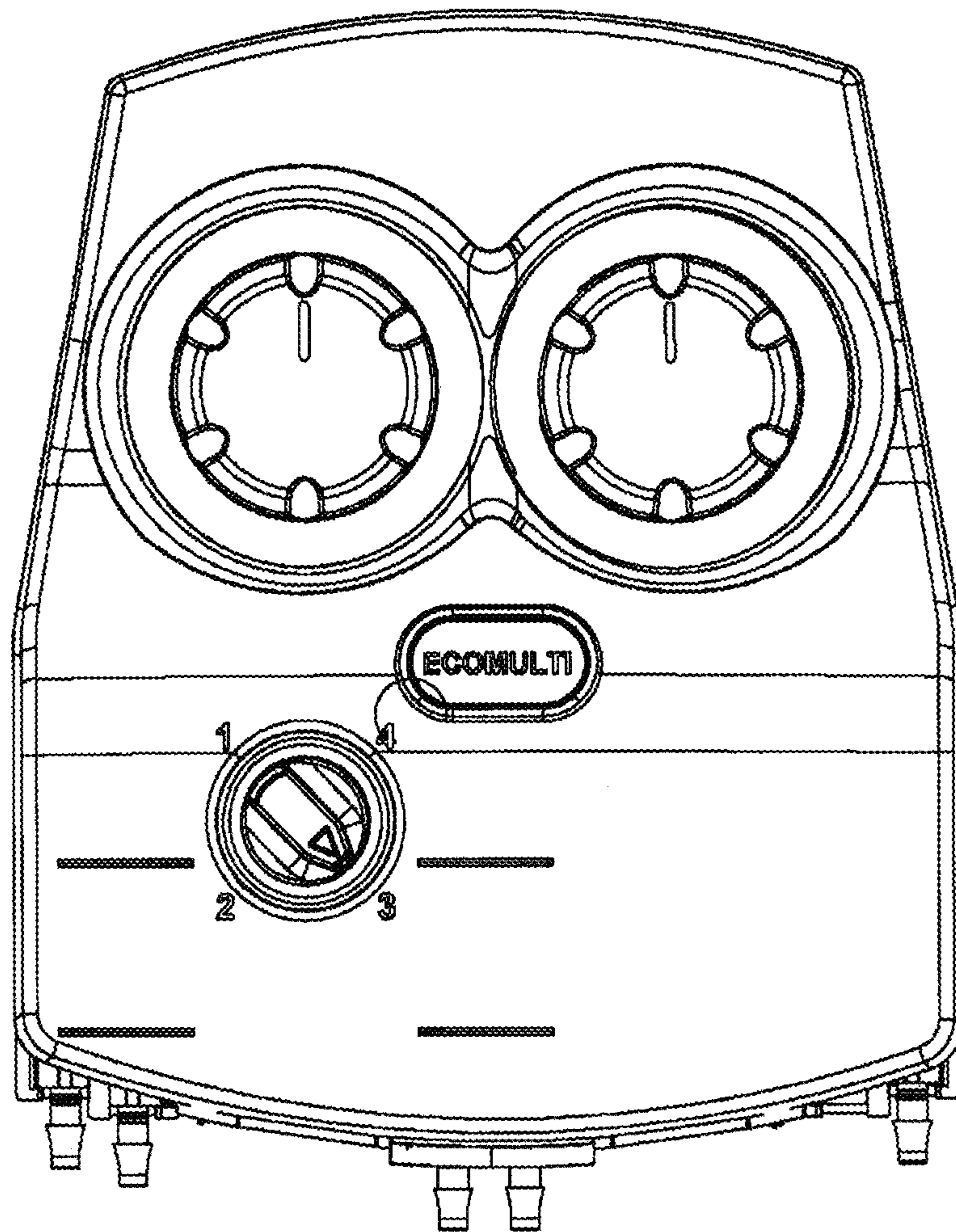


Fig. 1

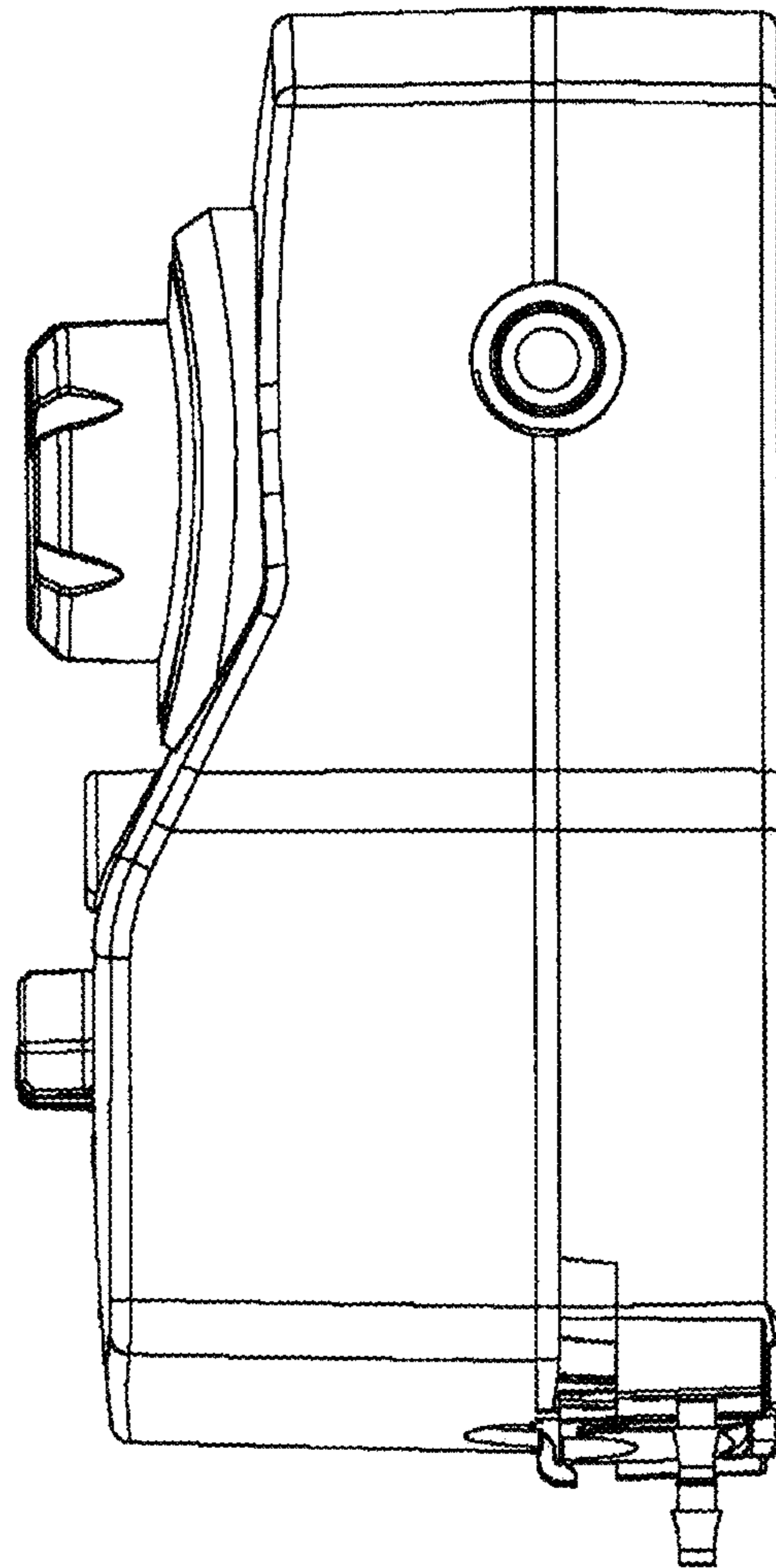


Fig. 2

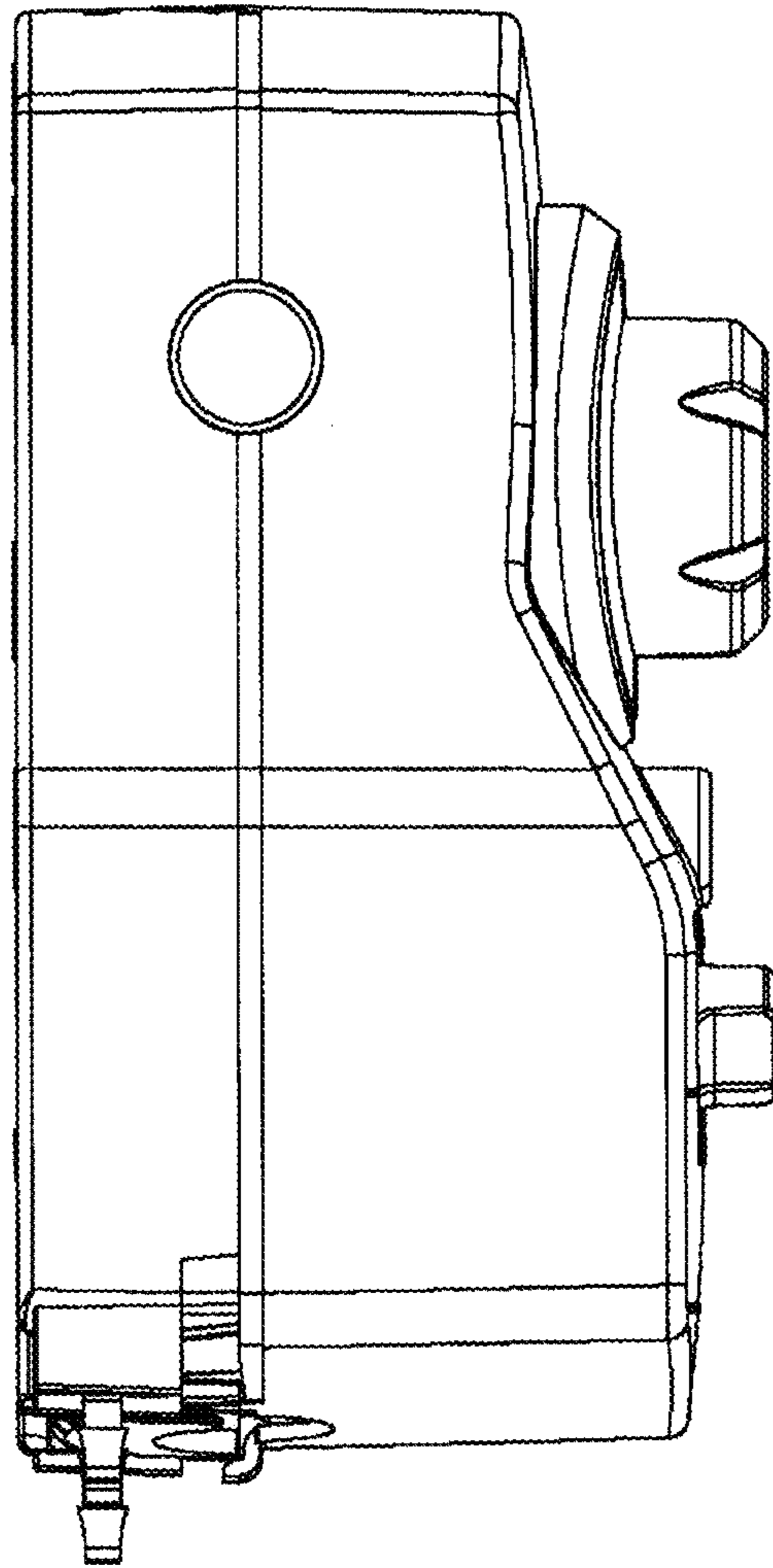


Fig. 3



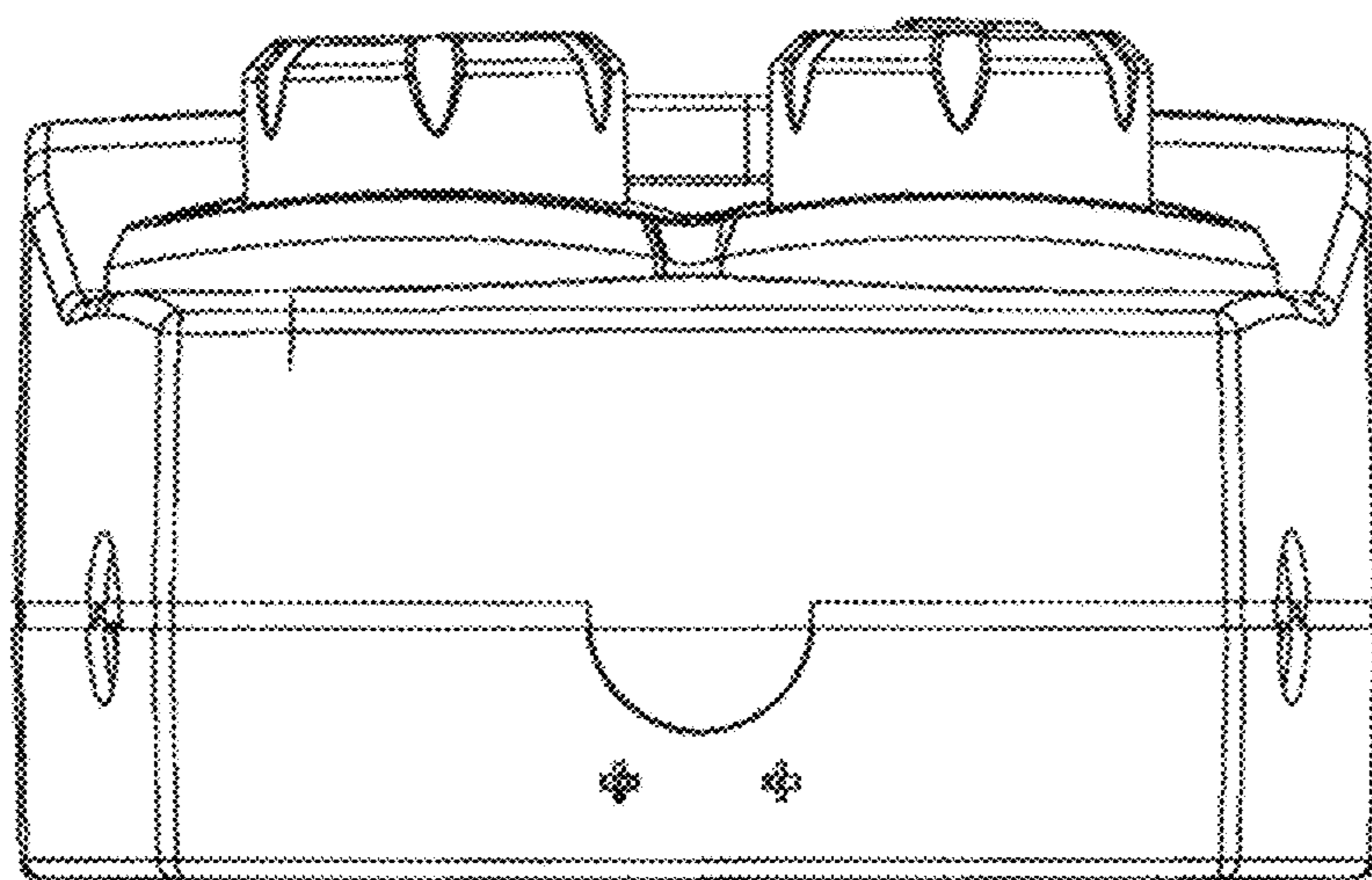


Fig. 4

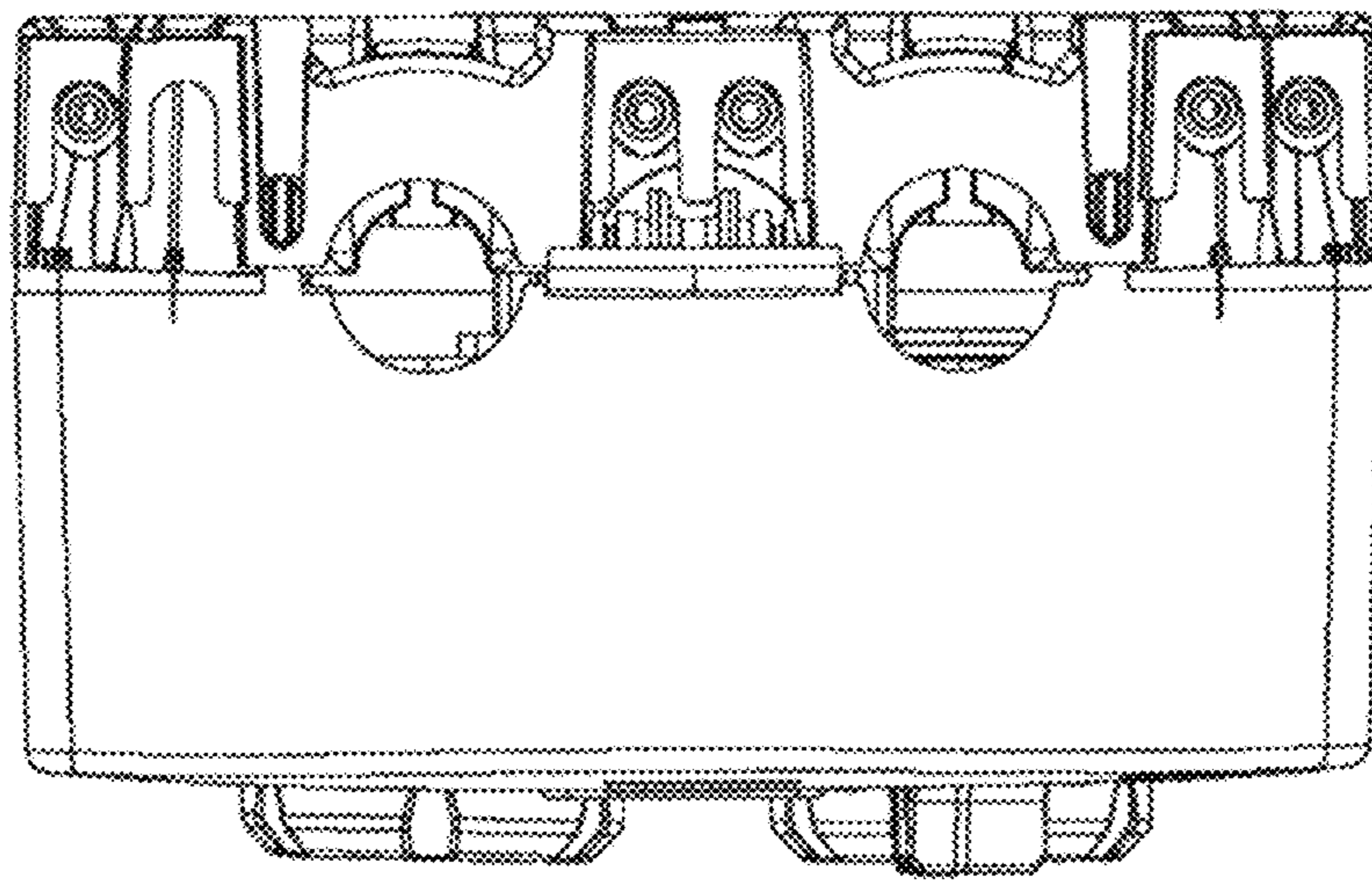


Fig. 5

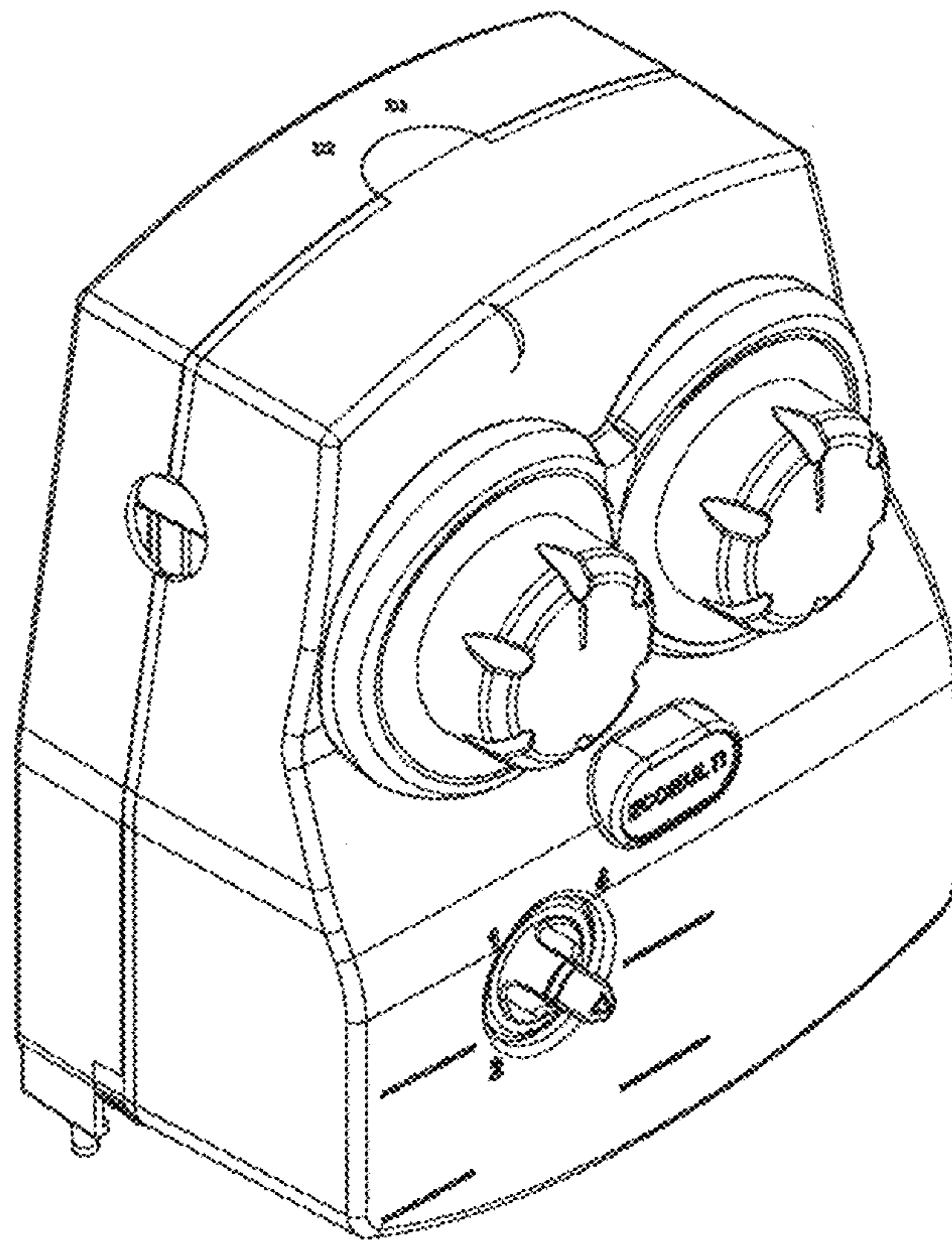


Fig. 6